

QUALITY FIREPLACES FOR LIFE.

KOZY HEAT FIREPLACES | SLAYTON 60, SLAYTON 42S & SLAYTON 36



Slayton 60 shown with Rectangle screen front, Copper glass beads media and optional Traditional Log Set

# SLAYTON 60, SLAYTON 42S & SLAYTON 36

DIRECT VENT LINEAR GAS FIREPLACES

Slayton 60 shown with  
Beveled screen front and  
Amber Crystals crushed glass







Slayton 42S shown with Rectangular screen front with Brushed Nickel Overlay and Glacier Crystals crushed glass

Slayton 36 shown with Rectangle screen front and Amber Crystals crushed glass

## THE SLAYTON

Our contemporary series offers affordable elegance that combines innovation and design with function and efficiency. The **Slayton** linear fireplace offers a sleek modern design that will revolutionize your contemporary design ideas. A variety of fireplace sizes, media choices, and accent lighting will make the **Slayton** a stunning addition to your home.



Slayton 42S shown with Rectangle screen front, Glacier Crystal crushed glass and optional Driftwood Log Set





# FIREPLACE OPTIONS

## Screen Fronts

Available finishes: Black, Rust, Titanium, Brushed Nickel Overlay and Antique Copper Overlay.  
 (Rectangle and Convex screen fronts also available in Brushed Stainless) Sizes shown below: Slayton 60 / Slayton 42S / Slayton 36

63-1/4" / 47-1/4" / 40-15/16"

19-13/16" /  
21-3/8" /  
19-13/16"



Rectangle screen front and Amber Crystal crushed glass

63-1/4" / 47-1/4" / 40-15/16"

19-13/16" /  
21-3/8" /  
19-13/16"



Rectangle Brushed Stainless screen front, H2O glass beads and optional Traditional Log Set

63-1/4" / 47-1/4" / 40-15/16"

19-13/16" /  
21-3/8" /  
19-13/16"



Rectangle screen front with Brushed Nickel Overlay, Glacier Crystal crushed glass and optional Driftwood Log Set

63-1/4" / 47-1/4" / 40-15/16"

19-13/16" /  
21-3/8" /  
19-13/16"



Rectangle screen front with Antique Copper Overlay, H2O glass beads and optional Traditional Log Set

67-13/16" / 51-13/16" / 45-5/16"

24-11/16" /  
26-3/16" /  
24-9/16"



Convex screen front with Rust finish and Glacier Crystal crushed glass

67-13/16" / 51-13/16" / 45-5/16"

24-11/16" /  
26-3/16" /  
24-9/16"



Convex Brushed Stainless screen front, Copper glass beads

68-1/16" / 51-13/16" / 45-5/16"

24-11/16" /  
26-3/16" /  
24-9/16"



Beveled screen front with Amber Crystal crushed glass

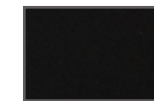
## Refractory



Black enamel (curved)

*Black Enamel Standard*

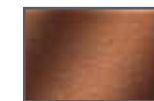
## Finish Options



Black



Brushed Stainless  
*Not available in Beveled*



Antique Copper  
*Rectangle fronts only*



Brushed Nickel  
*Rectangle fronts only*

## Decorative Finishes *Not available in Rectangle Screen Fronts*



Titanium



Rust

## Glass Media

### Crystals



Glacier



Amber

### Oval Beads



Black



Cobalt Blue



H2O



Copper









White Frost




# KOMFORT KONTROL™

The Komfort Kontrol remote gives you the ability to bring comfort and green technology all together into your home. With the Komfort Kontrol remote, all you have to do is decide a comfortable set point temperature on your remote and when the room temperature gets closer to the point you desire, the Komfort Kontrol remote will turn the flames down accordingly! And with our zone heating, you can save energy and enjoy time in the room you use the most by just turning down the central heat, setting your Komfort Kontrol remote, and enjoy your time around the fireplace with friends, family, or just a good book! That way you'll get to have heat where and when you need it while saving energy and money with just a click of the Komfort Kontrol remote!

### Remote control features:

-  Thermostat function
-  Flame height modulation
-  Fan speed modulation
-  Light kit modulation
-  IPI to continuous pilot
-  Split Flow Option (Slayton 60 only)

## Optional Accent Media



Traditional Log Set



Driftwood Log Set



Rock



Driftwood/Rock

## Burn Videos



Slayton 60



Slayton 42S



Slayton 36

# SPECIFICATIONS

The Slayton 60, Slayton 42S and Slayton 36 models (Electronic Ignition) comes standard with a decorative black curved firebox lining, remote modulating valve system w/ flame, fan & Light adjustment. (remote control & light kit included)

Model	Slayton 60	Slayton 42S	Slayton 36
Height	31-1/16"	32-9/16"	28-13/16"
Width	66"	50"	43-5/8"
Back Width	66"	50"	43-5/8"
Depth	15-13/16"	15-13/16"	15-13/16"
Weight	300 lbs.	220 lbs.	200 lbs.
Viewing Area	14-1/4" x 58-3/8"	15-11/16" x 42-3/8"	14-1/16" x 36"
NG High / Low	55,000 / 17,500	42,000 / 21,000	33,000 / 17,000
LP High / Low	55,000 / 17,500	42,000 / 21,000	33,000 / 17,000
Efficiencies NG / LP	68.31% / 70.5%	75% / 75%	71.2% / 73.1%
ENERGUIDE P.4	71.5% / 73.67%	75.67%	68.8% / 72%
Valve System	IPI	IPI	IPI
Split Flow Burner	Standard	N/A	N/A
Standard Refractory	Enamel (curved)	Enamel (curved)	Enamel (curved)
Glass Media	Required	Required	Required
Accent Media	Optional	Optional	Optional
Fan Kit Availability	Optional	Optional	Optional
Screen Front	Required	Required	Required

Features, Options & Specifications are subject to change.

## Clearances

Model	Slayton 60	Slayton 42S	Slayton 36
Top of unit face to framing	5-3/4"	10-11/16"	7-3/4"
From unit left & right side stand-offs & back	0"	0"	0"
Top of finishing edge to ceiling	31-3/16"	36"	36"
Side of finishing edge to adjacent sidewall	6"	6"	6"
Unit front to combustibles	36"	36"	36"
Mantel projection from fireplace finishing edge*	14-1/4" *9" deep projection	14-1/4" *9" deep projection	14-1/4" *1" deep projection

Each unit factory tested

Refer to the installation manuals for complete installation & venting requirements.  
See additional mantel clearance configurations in the installation manual.

## Vent System & Requirements

**This fireplace is manufactured to accept 5" x 8" pipe only.**

- Simpson Dura-Vent™ DV-PRO pipe - 5" x 8"
- Selkirk Metalbestos™ direct chimney system - 5" x 8"
- Ameri-Vent/American Metal™ direct chimney system - 5" x 8"
- Metal Fab™ 5" x 8"
- ICC™ 5" x 8"
- Kozy Heat™ flexible #800 series vent kits\* - 5" x 8"
- BDM™ direct vent chimney system - 5" x 8"

IMPORTANT: The horizontal heat shield included with this fireplace must be installed when incorporating minimum horizontal venting.

**Elbows:** For each additional 90° elbow used after the first elbow, 3' must be subtracted from the maximum venting allowed. For each additional 45° elbow used after the first elbow, 1½' must be subtracted from the maximum venting allowed.

Note: (2) 45° elbows = (1) 90° elbow.

Maximum number of elbows for ALL vent configurations = 5

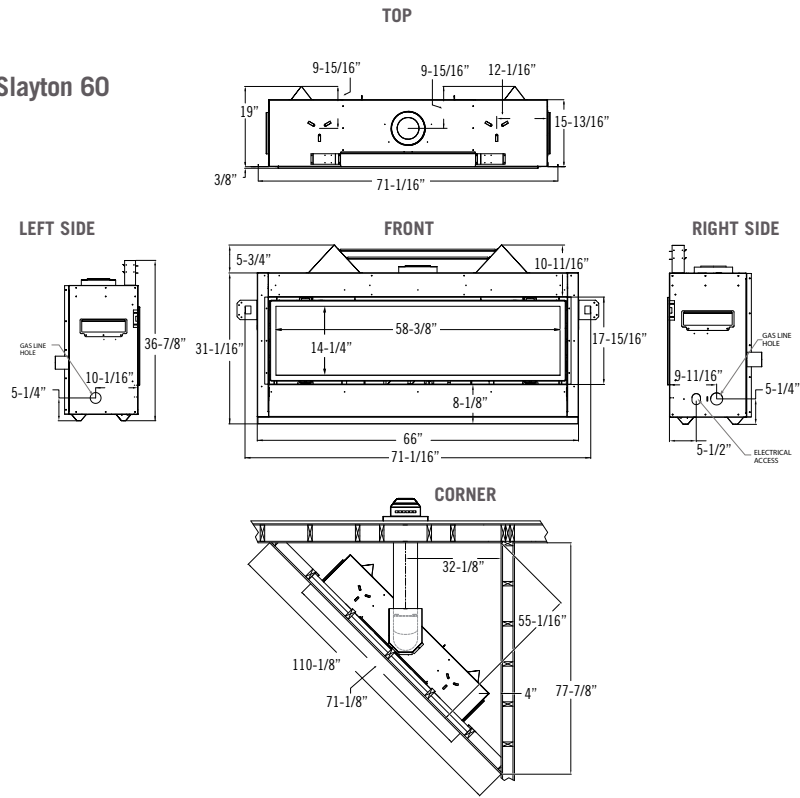
**Horizontal Terminations:** Venting configurations vary between NG & LP Gas, please consult the installation manual for requirements.

**Vertical Terminations:** Minimum: 2' Maximum: 50'

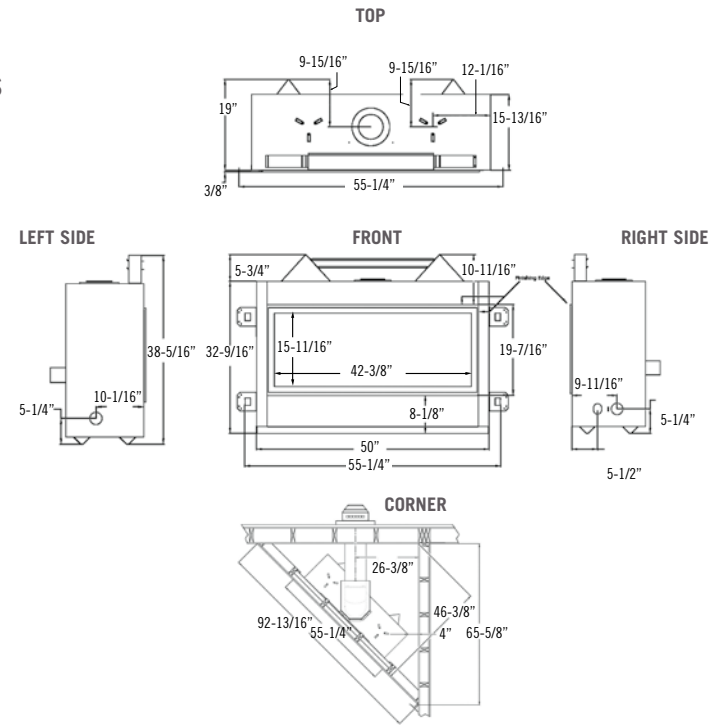
**Horizontal/Vertical Combo:** Venting configurations vary between NG & LP Gas, please consult the installation manual for requirements.

# SPECIFICATIONS

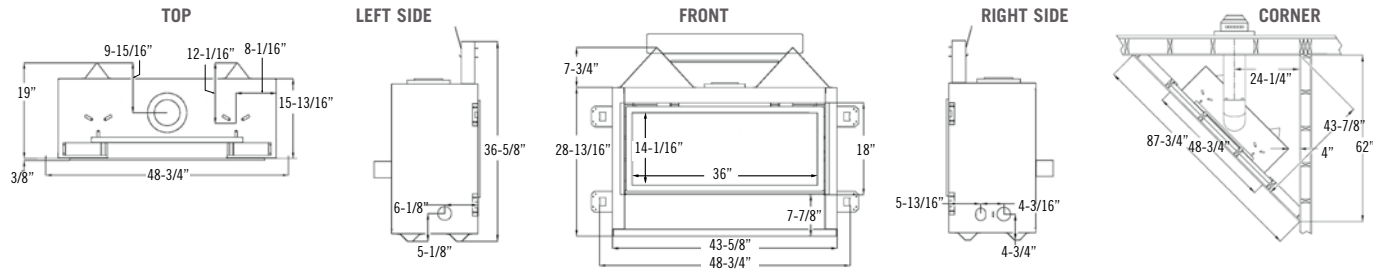
Slayton 60



Slayton 42S



Slayton 36



In order to continually provide the highest quality product available, features/options, specifications & dimensions are subject to change. Refer to the unit installation manual for complete installation instructions. Installation must conform with local building codes. **In some regions it may be possible that this appliance qualifies for an energy rebate. See your local dealer for details regarding promotions and qualifications.**

Product Line:



For complete information on the Kozy Heat product line, please contact us at:

Manufactured by Hussong Mfg. Co., Inc.  
 204 Industrial Park Drive, Lakefield, MN 56150  
 Phone 1-800-253-4904 www.kozyheat.com

12-16

