

# Regency Horizon® HZ54E Gas Fireplace

## Owners & Installation Manual

MODELS: HZ54E-NG11 Natural Gas  
HZ54E-LP11 Propane



*Horizon HZ54E Product Video*

French Manual: <https://bit.ly/3to2Jp3>  
Manuel en français : <https://bit.ly/3to2Jp3>

[www.regency-fire.com](http://www.regency-fire.com)

**⚠ WARNING**  
**FIRE OR EXPLOSION HAZARD**  
failure to follow safety warnings exactly could result in serious injury, death, or property damage.

- Do not store or use gasoline or other flammable vapors and liquids in the vicinity of this or any other appliance.
- **WHAT TO DO IF YOU SMELL GAS**
  - Do not try to light any appliance.
  - Do not touch any electrical switch: do not use any phone in your building. Leave the building immediately.
  - Immediately call your gas supplier from a neighbour's phone. Follow the gas supplier's instructions.
  - If you cannot reach your gas supplier, call the fire department.
- Installation and service must be performed by a qualified installer, service agency or the gas supplier.



Certified to/Certifié pour: CSA 2.17-2017  
ANSI Z21.88-2019  
CSA 2.33-2019

**Installer:** Please complete the details on the back cover and leave this manual with the homeowner.  
**Homeowner:** Please keep these instructions for future reference.

## To the New Owner:

Congratulations!

You are the owner of a state-of-the-art Gas Fireplace by REGENCY®. The HZ54E has been designed to provide you with all the warmth and charm of a wood fireplace at the flick of a switch. The model HZ54E has been approved by Warnock Hersey/Intertek for both safety and efficiency. As it also bears our own mark, it promises to provide you with economy, comfort and security for many trouble free years to follow. Please take a moment now to acquaint yourself with these instructions and the many features of your Regency® Fireplace.

# DANGER

**HOT GLASS WILL  
CAUSE BURNS**

**DO NOT TOUCH GLASS  
UNTIL COOLED**

**NEVER ALLOW CHILDREN  
TO TOUCH GLASS**

A barrier designed to reduce the risk of burns from the hot viewing glass is provided with this appliance and must be installed for the protection of children and other at risk individuals.

**CAUTION:**  
**HOT WHILE IN OPERATION. DO NOT TOUCH.  
SEVERE BURNS MAY RESULT. KEEP CHILDREN, CLOTHING, FURNITURE,  
GASOLINE, AND ANY OTHER LIQUIDS WITH FLAMMABLE VAPOURS AWAY.**

**KEEP BURNER AND CONTROL COMPARTMENT CLEAN.  
SEE INSTALLATION AND OPERATING INSTRUCTIONS ACCOMPANYING  
APPLIANCE.**

920-408

### On Demand Pilot Light (seven day safety timer)

Important information if using the appliance in CPI (continuous pilot mode) only.

This appliance is a ProFlame 1 system fitted with the "On Demand" Pilot, a safety feature which will shut down the gas valve completely by extinguishing the pilot light in the event of a continuous full seven days of inactivity.

This only applies if the CPI (continuous pilot) switch is in the "on" position.

Each time the main burner shuts down, manually or through the call from the thermostat, the seven day timer starts again.

The seven day inactivity timer is controlled within the circuit board. Therefore, if in CPI mode and when the pilot light is extinguished after seven straight days of inactivity, the IPI/CPI rocker switch will remain in the "on" position. Therefore, all that is required to relight the pilot would be to press the on/off button on the remote control transmitter from "on" to "off" and back to "on". Once the pilot has re-established operation will resume as normal. There is no requirement to do anything with the IPI/CPI rocker switch.

If the unit never goes as long as seven full days without a call for heat, the pilot will remain lit until it is manually shut-off.

If the unit is being operated in IPI (intermittent pilot) mode, neither the above instructions nor the seven day timer will apply.

See the instructions in this manual and on the Lighting Instructions plate on the appliance to light or re-light the pilot.

## **MANUFACTURED MOBILE HOME REQUIREMENTS**

### **INFORMATION FOR MOBILE/MANUFACTURED HOMES AFTER FIRST SALE**

This Regency® product has been tested and listed by Warnock Hersey/Intertek as a Direct Vent Wall Furnace to the following standards: VENTED GAS FIREPLACE HEATERS ANSI Z21.88 / CSA 2.33 and GAS-FIRED APPLIANCES FOR USE AT HIGH ALTITUDES CSA 2.17-2017.

This appliance may only be installed in an aftermarket permanently located, manufactured (U.S.A only) or mobile home, where not prohibited by local codes.

This Direct Vent System Appliance must be installed in accordance with the manufacturer's installation instructions and the Manufactured Home Construction and Safety Standard, Title 24 CFR, Part 3280, or the current Standard of Fire Safety Criteria for Manufactured Home Installations, Sites, and Communities ANSI/NFPA 501A, and with CAN/CSA Z240-MH Mobile Home Standard in Canada.

This appliance installation must comply with the manufacturer's installation instructions and local codes, if any. In the absence of local codes follow the current National Fuel Gas Code, ANSI Z223.1 and the current National Electrical Code ANSI/NFPA 70 in the U.S.A., and the current CSA B149.1 Gas Installation Code and the current Canadian Electrical Code CSA C22.1 in Canada.

This appliance comes equipped with a dedicated #8 Ground Lug for attachment of the ground wire to the steel chassis as applicable to local codes.

The appliance, when installed, must be electrically grounded in accordance with local codes or, in the absence of local codes, with the National Electrical Code, ANSI/NFPA 70, or the Canadian Electrical Code, CSA C22.1.

This appliance can only be used with the type of gas indicated on the rating plate.  
This appliance is not convertible for use with other gases.

Ensure that structural members are not cut or weakened during installation.

This appliance may be installed as an OEM installation in a manufactured home (USA only) or mobile home and must be installed in accordance with the manufacturer's instruction and the *Manufactured Home Construction and Safety Standard, Title 24 CFR, Part 3280*, in the United States, or the Standard for Installation in Mobile Homes, *CAN/CSA Z240 MH*, in Canada.



We recommend that our products be installed and serviced by professionals who are certified in the U.S. by the National Fireplace Institute® (NFI) or in Canada by Wood Energy Technical Training (WETT).



Regency Horizon  
Gas Inserts Benefits Video



Horizon HZ54 Product Video

**ALL PICTURES / DIAGRAMS SHOWN THROUGHOUT THIS MANUAL ARE FOR ILLUSTRATION PURPOSES ONLY. ACTUAL PRODUCT MAY VARY DUE TO PRODUCT ENHANCEMENTS.**

# table of contents

## Owner's information

|  |    |
|--|----|
| On Demand Pilot Light (Seven Day Safety Timer) .....   | 2  |
| Copy of Safety Decal .....                             | 5  |
| Decal Location .....                                   | 5  |
| MA Code - CO Detector.....                             | 6  |
| (for the State of Massachusetts only).....             | 6  |
| Unit Dimensions.....                                   | 9  |
| Faceplate & Door Frame Overlay Dimensions.....         | 9  |
| Important Message .....                                | 10 |
| Before You Start.....                                  | 10 |
| General Safety Information .....                       | 10 |
| Lighting Procedure .....                               | 11 |
| Shutdown Procedure .....                               | 11 |
| Copy of Lighting Plate Instructions .....              | 12 |
| Proflame I Remote Control Operating Instructions ..... | 13 |
| Proflame I Remote Receiver Battery Replacement.....    | 17 |

## Installer's Information

|  |    |
|--|----|
| Gas Installation Checklist .....                 | 8  |
| Installation Checklist.....                      | 18 |
| Locating Your Gas Fireplace .....                | 18 |
| Heatwave Duct System Optional Kit #946-556 ..... | 18 |

## Installation

|   |    |
|---|----|
| Clearances.....   | 19 |
| Non-Combustible Requirements.....   | 19 |
| Non-Combustible Facing Board .....  | 20 |
| Non-Combustible Facing Installation .....                                   | 20 |
| Mantel Clearances .....   | 21 |
| Mantel Leg Clearances.....  | 21 |
| Framing & Finishing.....  | 22 |
| Unit Assembly Prior To Installation.....                                    | 23 |
| Standoff Assembly.....  | 23 |
| Nailing Strips.....   | 23 |
| Venting Introduction.....   | 23 |
| Framing Dimensions .....  | 24 |
| Wall Mount On / Off Switch / Receiver Installation .....                    | 26 |
| Vent Restrictor Position.....   | 27 |
| Exterior Vent Termination Requirements.....                                 | 28 |
| 5" x 8" Rigid Pipe Cross Reference Chart.....                               | 29 |
| Rigid Pipe Venting Systems - Basic Horizontal & Vertical Terminations.....  | 31 |
| Venting Arrangements-Horizontal Termination (Flex).....                     | 32 |
| Horizontal Venting with Two (2) 90° Elbows - NG and LP .....                | 33 |
| Horizontal Venting with Three (3) 90° Elbows - NG and LP .....              | 33 |
| Venting Arrangements - Allowable Horizontal Terminations for HZ54E-NG ..... | 34 |
| Venting Arrangements - Allowable Horizontal Terminations for HZ54E-LP ..... | 34 |
| Unit Installation with Horizontal Termination .....                         | 35 |
| Unit Installation - Horizontal Termination with Flex Vent System .....      | 36 |
| AstroCap XL Dimensions (946-623/P) .....                                    | 36 |
| Vertical Venting with Three (3) 90° Elbows - NG and LP .....                | 37 |
| Venting Arrangements - Allowable Vertical Terminations for HZ54E-NG .....   | 38 |
| Venting Arrangements - Allowable Vertical Terminations for HZ54E-LP .....   | 39 |
| Unit Installation with Vertical Termination.....                            | 40 |
| Vertical Terminations - Vertical Flex Vent Kit (Part #946-772) .....        | 41 |
| Vertical Flex Extension Kit (Part # 946-769) .....                          | 43 |
| Ceiling Firestop / Firestop Spacer (Part # 946-770).....                    | 44 |
| HZ54E-NG11 System Data .....  | 45 |
| HZ54E-LP11 System Data .....  | 45 |
| High Elevation.....   | 45 |
| Gas Line Installation.....  | 45 |
| Pilot Adjustment.....   | 45 |

|   |    |
|---|----|
| Gas Pipe Pressure Testing .....                                       | 45 |
| 885 S.I.T. Valve Description.....                                     | 45 |
| Valve Cover Removal .....   | 46 |
| Aeration Adjustment.....  | 47 |
| Wiring Diagram.....   | 48 |
| Optional Wall Thermostat Installation .....                           | 49 |
| Optional Reflective Panel Installation .....                          | 50 |
| Glass Crystals or Optional Stones - Installation On Burner .....      | 51 |
| Optional Pebbles / Glass Crystals Installation for Firebox Base ..... | 51 |
| Optional Driftwood Log Set Installation .....                         | 52 |
| Faceplate & Door Frame Overlay Installation .....                     | 54 |
| Fan Installation .....  | 57 |
| Wiring Diagram with Optional Fan .....                                | 60 |

## Operating Instructions

|   |    |
|---|----|
| Operating Instructions .....                    | 61 |
| First Fire.....                                 | 61 |
| Normal Operating Sounds of Gas Appliances ..... | 61 |
| Lighting Procedure .....                        | 62 |
| Shutdown Procedure .....                        | 62 |
| Copy of Lighting Plate Instructions .....       | 63 |

## Maintenance

|   |    |
|---|----|
| Maintenance Instructions .....                    | 64 |
| General Vent Maintenance .....                    | 64 |
| Glass Door.....                                   | 64 |
| Glass Replacement .....                           | 64 |
| Glass Door Removal .....                          | 65 |
| Safety Screen Removal / Installation.....         | 66 |
| Valve Tray Replacement.....                       | 67 |
| HZ54E-NG Unit .....                               | 68 |
| HZ54E-LP Unit .....                               | 69 |
| Gas Maintenance - Recommended Annual Routine..... | 70 |

## Parts

|                     |    |
|---------------------|----|
| Main Assembly ..... | 71 |
| Accessories.....    | 73 |

## Warranty .....74

## Recycling .....79

This is a copy of the label that accompanies each HZ54E-NG11 and HZ54E-LP11.


This is a copy of the label that accompanies each HZ54E-NG11/HZ54E-LP11 Direct Vent Gas Fireplace. We have printed a copy of the contents here for your review.

**NOTE:** Regency® units are constantly being improved. Check the label on the unit and if there is a difference, the label on the unit is the correct one.

**Copy of Safety Decal**

Duplicate S/N

503



**Intertek**  
C #: 4001172

**Listed/Nom:** VENTED GAS FIREPLACE HEATERS / APPAREIL DE CHAUFFAGE AU GAZ À ÉVACUATION.  
**Certified to/Certifié :** ANSI Z21.88:2019 • CSA-2.33:2019  
 CSA 2.17-2017  
**MAY BE INSTALLED IN MANUFACTURED (MOBILE) HOMES AFTER FIRST SALE.**  
 Refer to Intertek's Directory of Building Products for detailed information.  
 Pour plus de détails, se reporter au Répertoire des produits de construction de Intertek.

**DO NOT REMOVE THIS LABEL / NE PAS ENLEVER CETTE ÉTIQUETTE**  
 Serial No./ No de série

503

**NATURAL GAS: Model HZ54E-NG11**

|                           |              |            |
|---------------------------|--------------|------------|
| Min. Supply Pressure      | 5" WC        | (1.25 kpa) |
| Low Setting Man. Pressure | 1.6"WC       | (0.40 kpa) |
| Max. Manifold Pressure    | 3.5"WC       | (0.87 kpa) |
| Orifice Size              | #30DMS       |            |
| Minimum Input             | 29,000Btu/h  | (8.50 kW)  |
| Maximum Input             | 41,500 Btu/h | (12.16 kW) |
| Altitude                  | 0-4500 ft/pi | (0-1372 m) |

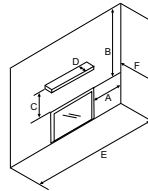
**PROANE GAS: Model HZ54E-LP11**

|                           |              |            |
|---------------------------|--------------|------------|
| Min. Supply Pressure      | 11"WC        | (2.74 kpa) |
| Low Setting Man. Pressure | 6.4"WC       | (1.59 kpa) |
| Max. Manifold Pressure    | 10"WC        | (2.49 kpa) |
| Orifice Size              | #49 DMS      |            |
| Minimum Input             | 30,000Btu/h  | (8.79 kW)  |
| Maximum Input             | 37,000Btu/h  | (10.84 kW) |
| Altitude                  | 0-4500 ft/pi | (0-1372 m) |

**APPAREIL FONCTIONNANT AU GAZ NATUREL**  
**Modèle HZ54E-NG11**  
 Pression d'alimentation minimale  
 Pression manifold - basse  
 Pression manifold maximale  
 Taille de l'orifice  
 Débit calorifique minimal  
 Débit calorifique maximal  
 Altitude

**APPAREIL FONCTIONNANT AU GAZ PROPANE**  
**Modèle HZ54E-LP11**  
 Pression d'alimentation minimale  
 Pression manifold - basse  
 Pression manifold max.  
 Taille de l'orifice  
 Débit calorifique minimal  
 Débit calorifique maximal  
 Altitude

**Minimum Clearances to Combustibles / Dégagements minimaux par rapport aux matériaux combustibles**



**Side Walls/Murs latéraux**  
 A 4" (102mm)  
**Ceiling/Plafond**  
 B 40-7/8" (1038mm)  
 Min. Mantel Height/Hteur manteau min.  
 C 20" (508mm)  
 Max. Mantel Depth/Prof. manteau max.  
 D 13" (330mm)  
**Alcove Width/Largeur alcôve**  
 E 83" (2108mm)  
**Alcove Depth/Prof. alcôve**  
 F 36" (914mm)  
 (See Instruction Manual for detailed instructions)

DOOR SEAL: Please check that the door is properly sealed

FPI Fireplace Products International Ltd. Delta, BC, Canada

This appliance must be installed in accordance with local codes, if any; if none, follow the National Fuel Gas Code, ANSI Z223.1, or Natural Gas and Propane Installation Code, CSA B149.1. This appliance must be installed in accordance with the Standard CAN/CSA-Z240 MH, Mobile Housing, in Canada, or with the Manufactured Home Construction and Safety Standard, Title 24 CFR, Part 3280, in the United States, or when such a standard is not applicable, ANSI/NCSCBS A225.1/NFPA 501A, Manufactured Home Installations Standard or ANSI A119.2 ou NFPA 501C Standard for Recreational Vehicles. This appliance is only for use with the type of gas indicated on the rating plate and may be installed in an aftermarket, permanently located, manufactured (mobile) home where not prohibited by local codes. See owner's manual for details.


Installer l'appareil selon les codes ou règlements locaux, ou, en l'absence de tels règlements, selon les codes d'installation ANSI Z223.1, National Fuel Gas Code ou CSA-B149.1 en vigueur. Installer l'appareil selon la norme CAN/CSA-Z240, Série MM, Maison mobiles ou CAN/CSA-Z240 VC, Véhicules de camping, ou la norme 24 CFR Part 3280, Manufactured Home Construction and Safety Standard. Si ces normes ne sont pas pertinentes, utilisez la norme ANSI/NCSCBS A225.1/NFPA 501A, Manufactured Home Installations Standard, ou ANSI A119.2 ou NFPA 501C Standard for Recreational Vehicles.

Cet appareil doit être utilisé uniquement avec le type de gaz indiqué sur la plaque signalétique. Il peut être installé dans une maison préfabriquée ou mobile (É.-U. seulement) installée à demeure si les règlements locaux le permettent. Voir le guide de l'utilisateur pour plus de renseignements.

**This vented gas fireplace heater is not for use with air filters.**

**For Use Only with Barrier (Part # 478-013) Follow installation instructions.** **Ne pas utiliser de filtre à air avec ce foyer au gaz à évacuation.**  
**FOR USE WITH GLASS DOORS CERTIFIED WITH THE APPLIANCE ONLY** **Utiliser uniquement avec un écran de protection (n°478-013). Suivre les consignes d'installation.**  
**À UTILISER UNIQUEMENT AVEC LES PORTES VITRÉES CERTIFIÉES AVEC L'APPAREIL**

VENTED GAS FIREPLACE HEATER - NOT FOR USE WITH SOLID FUELS. CATEGORY I. Made in Canada/ Fabriqué au Canada  
**FOYER AU GAZ À ÉVACUATION - NE PAS UTILISER AVEC UN COMBUSTIBLE SOLIDE. CATÉGORIE I.**



**Intertek**  
EP5011169

CSA P.4.1 Fireplace Efficiency (FE) /Efficacité énergétique des foyers (EEF) CSA P.4.1  
 Natural Gas / Gaz naturel 64.45%  
 Propane Gas / Gaz propane 67.72%

920-005b

For the State of Massachusetts, installation and repair must be done by a plumber or gas fitter licensed in the Commonwealth of Massachusetts.

For the State of Massachusetts, flexible connectors shall not exceed 36 inches in length.

For the State of Massachusetts, the appliances individual manual shut-off must be a t-handle type valve.

The State of Massachusetts requires the installation of a carbon monoxide alarm in accordance with NFPA 720 and a CO alarm with battery back up in the same room where the gas appliance is installed.

**Decal Location**



Remove outer faceplate and door (see manual for instructions) once the Faceplate and Glass door have been removed the rating plate will be attached to a chain.

**DO NOT REMOVE DECAL FROM UNIT.**

# requirements

## MA Code - CO Detector (for the State of Massachusetts only)

### 5.08: Modifications to NFPA-54, Chapter 10

(2) Revise 10.8.3 by adding the following additional requirements:

(a) For all side wall horizontally vented gas fueled equipment installed in every dwelling, building or structure used in whole or in part for residential purposes, including those owned or operated by the Commonwealth and where the side wall exhaust vent termination is less than seven (7) feet above finished grade in the area of the venting, including but not limited to decks and porches, the following requirements shall be satisfied:

1. **INSTALLATION OF CARBON MONOXIDE DETECTORS.** At the time of installation of the side wall horizontal vented gas fueled equipment, the installing plumber or gasfitter shall observe that a hard wired carbon monoxide detector with an alarm and battery back-up is installed on the floor level where the gas equipment is to be installed. In addition, the installing plumber or gasfitter shall observe that a battery operated or hard wired carbon monoxide detector with an alarm is installed on each additional level of the dwelling, building or structure served by the side wall horizontal vented gas fueled equipment. It shall be the responsibility of the property owner to secure the services of qualified licensed professionals for the installation of hard wired carbon monoxide detectors

a. In the event that the side wall horizontally vented gas fueled equipment is installed in a crawl space or an attic, the hard wired carbon monoxide detector with alarm and battery back-up may be installed on the next adjacent floor level.

b. In the event that the requirements of this subdivision can not be met at the time of completion of installation, the owner shall have a period of thirty (30) days to comply with the above requirements; provided, however, that during said thirty (30) day period, a battery operated carbon monoxide detector with an alarm shall be installed.

2. **APPROVED CARBON MONOXIDE DETECTORS.** Each carbon monoxide detector as required in accordance with the above provisions shall comply with NFPA 720 and be ANSI/UL 2034 listed and IAS certified.

3. **SIGNAGE.** A metal or plastic identification plate shall be permanently mounted to the exterior of the building at a minimum height of eight (8) feet above grade directly in line with the exhaust vent terminal for the horizontally vented gas fueled heating appliance or equipment. The sign shall read, in print size no less than one-half (1/2) inch in size, "**GAS VENT DIRECTLY BELOW. KEEP CLEAR OF ALL OBSTRUCTIONS**".

4. **INSPECTION.** The state or local gas inspector of the side wall horizontally vented gas fueled equipment shall not approve the installation unless, upon inspection, the inspector observes carbon monoxide detectors and signage installed in accordance with the provisions of 248 CMR 5.08(2)(a)1 through 4.

(b) **EXEMPTIONS:** The following equipment is exempt from 248 CMR 5.08(2)(a)1 through 4:

1. The equipment listed in Chapter 10 entitled "Equipment Not Required To Be Vented" in the most current edition of NFPA 54 as adopted by the Board; and

2. Product Approved side wall horizontally vented gas fueled equipment installed in a room or structure separate from the dwelling, building or structure used in whole or in part for residential purposes.

(c) **MANUFACTURER REQUIREMENTS - GAS EQUIPMENT VENTING SYSTEM PROVIDED.** When the manufacturer of Product Approved side wall horizontally vented gas equipment provides a venting system design or venting system components with the equipment, the instructions provided by the manufacturer for installation of the equipment and the venting system shall include:

1. Detailed instructions for the installation of the venting system design or the venting system components; and

2. A complete parts list for the venting system design or venting system.

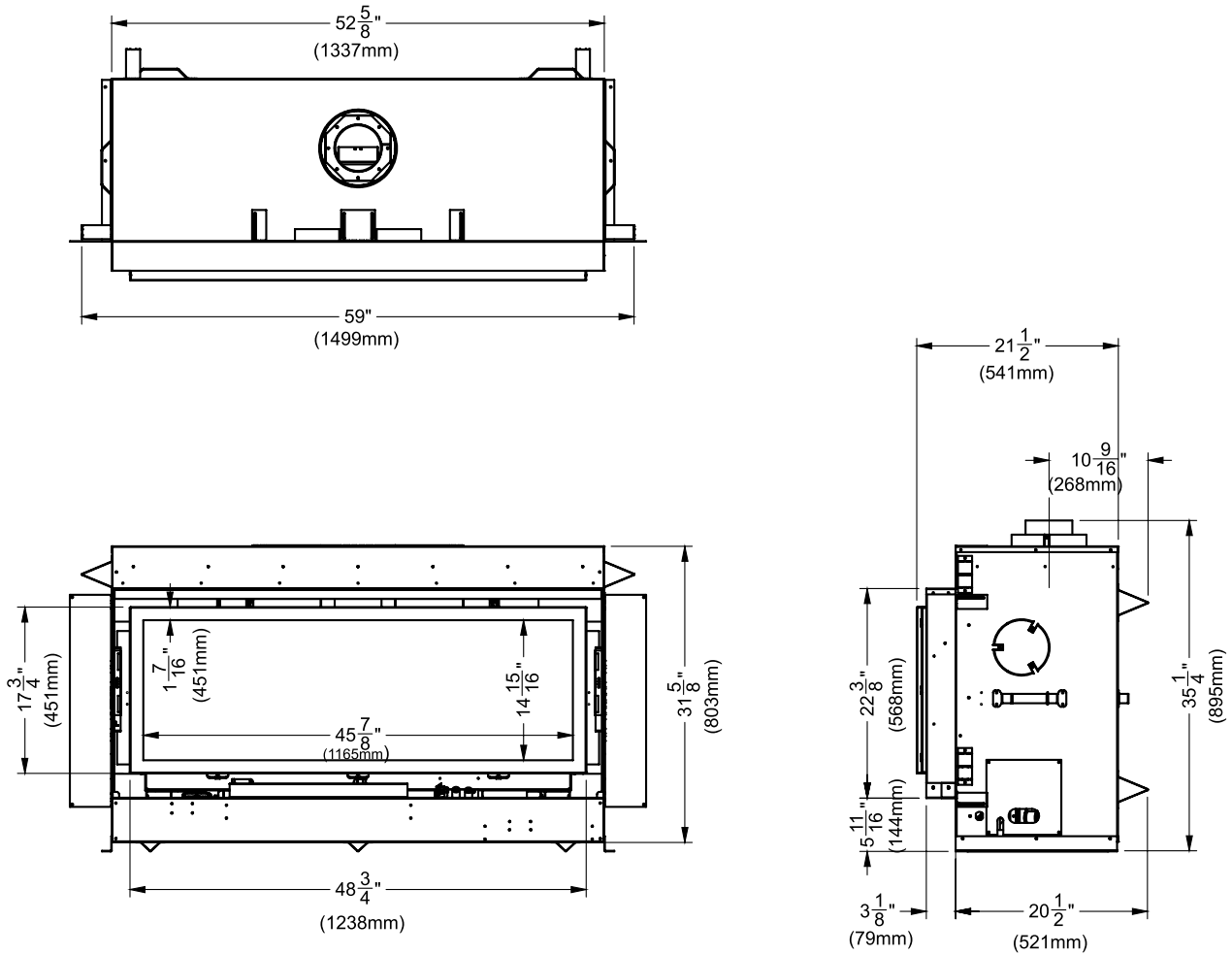
(d) **MANUFACTURER REQUIREMENTS - GAS EQUIPMENT VENTING SYSTEM NOT PROVIDED.** When the manufacturer of a Product Approved side wall horizontally vented gas fueled equipment does not provide the parts for venting the flue gases, but identifies "special venting systems", the following requirements shall be satisfied by the manufacturer:

1. The referenced "special venting system" instructions shall be included with the appliance or equipment installation instructions; and

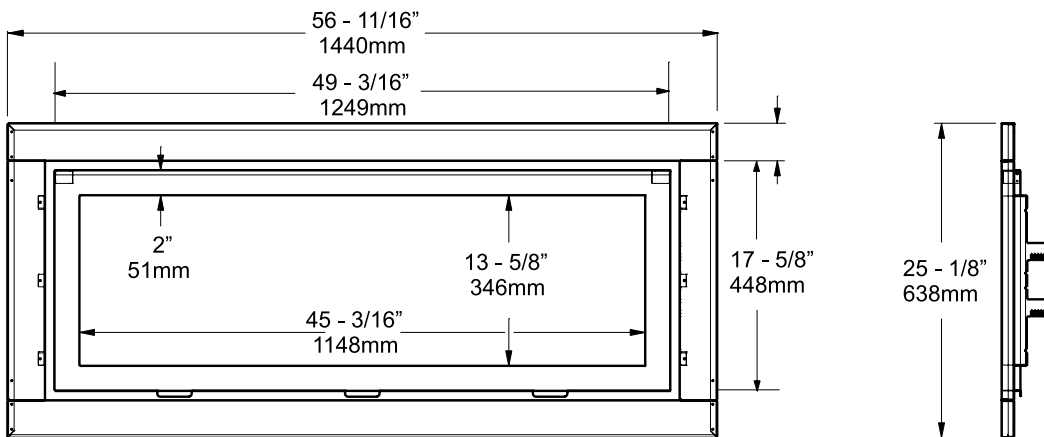
2. The "special venting systems" shall be Product Approved by the Board, and the instructions for that system shall include a parts list and detailed installation instructions.

(e) A copy of all installation instructions for all Product Approved side wall horizontally vented gas fueled equipment, all venting instructions, all parts lists for venting instructions, and/or all venting design instructions shall remain with the appliance or equipment at the completion of the installation.

**Unit Dimensions**



**Faceplate & Door Frame Overlay Dimensions**



Verona Glass Surround (Not Shown) Dimensions:  $58 - 9/16$ " W x  $27 - 1/8$ " H

**Note: Gas connection is from the right hand side of the appliance & electrical connection on left hand side of the appliance. A metal receptacle box is supplied/installed with the appliance to make all 120 volt electrical connections.**

# dimensions

## Gas Installation checklist

This general checklist does not contain all pertinent installation details or specifics and does not supersede the guidelines in this manual. Your Regency dealer/installer should use it in conjunction with manual instructions. Please follow all local codes and jurisdictions in authority.

|  |                                     |           |
|--|-------------------------------------|-----------|
| <b>Customer:</b> _____   | <b>Date Installed:</b> _____        |           |
| <b>Install Address:</b> _____  | <b>Location of Fireplace:</b> _____ |           |
| <b>Serial No:</b> _____  | <b>Installer:</b> _____             |           |
| <b>Model No:</b> _____   |                                     |           |
| <b>Site Requirements</b>   | <b>YES</b>                          | <b>NO</b> |
| If applicable, are the insulation, vapour barrier, and drywall present if installed on an outside wall or chase?   |                                     |           |
| Does the area have a solid continuous base to support the unit?  |                                     |           |
| Will the area accommodate the size of the appliance and all clearances?  |                                     |           |
| Are the gas and electrical roughed into the area where the unit is being installed?  |                                     |           |
| In City & Grandview series cool wall applications, is the chase enclosure sealed to prevent heat from escaping? All hot air from the unit must exit via the mandatory ventilation openings.                                    |                                     |           |
| In City & Grandview applications, Is the chase enclosure vented with the mandatory heat ventilation openings? See manual for details.  |                                     |           |
| If applicable, is the masonry/factory built fireplace in its original condition with no modifications?   |                                     |           |
| If applicable, have the hearth requirements been met?  |                                     |           |
| <b>Unit Setup</b>  | <b>YES</b>                          | <b>NO</b> |
| If applicable, are the standoffs and top nailing flange extensions installed and at the correct depth to accommodate finishing material? See manual for details.   |                                     |           |
| If applicable, is the fireplace level and secured, meeting framing clearances? See manual for details.   |                                     |           |
| If applicable, is the unit converted to top or rear vent per manual instructions, and the insulation discarded?  |                                     |           |
| <b>Venting</b>   | <b>YES</b>                          | <b>NO</b> |
| Are the venting components approved for the unit installed?  |                                     |           |
| Does the venting configuration comply with venting diagrams?   |                                     |           |
| Is venting installed and secured, and are clearances for the vent pipe and termination cap maintained?   |                                     |           |
| If applicable, was a 1/4" rise maintained for every foot of horizontal run?  |                                     |           |
| Was the termination installed and sealed?  |                                     |           |
| Is the direct vent termination at the highest point in the vent assembly?  |                                     |           |
| If applicable, are both chimney liners continuous from flue collars to termination?  |                                     |           |
| <b>Electrical and Wiring</b>   | <b>YES</b>                          | <b>NO</b> |
| Is the appliance connected to the household's 110/120v per local codes? Check local codes for receptacle placement.  |                                     |           |
| Were the connections in the fireplace tested with a circuit tester?  |                                     |           |
| Is the appliance properly grounded?  |                                     |           |
| If applicable, is the supplied electrical/gang box affixed to the wall to facilitate the mounting of the receiver/battery box ?  |                                     |           |
| If applicable, is all electrical, Ethernet, HDMI, networking, optical, wire/cables, conduits, etc. run through the wood or steel stud work as wires/cables of any kind cannot be exposed directly above or over the fireplace? |                                     |           |
| <b>Gas</b>   | <b>YES</b>                          | <b>NO</b> |
| Does the supply pressure meet the requirements shown on the rating plate?  |                                     |           |
| Was a conversion performed?  |                                     |           |
| Was a leak check performed and manifold pressures verified?  |                                     |           |



|  |            |           |
|--|------------|-----------|
| Is the shut-off valve installed and easily accessible to the customer?   |            |           |
| <b>Finishing</b>   | <b>YES</b> | <b>NO</b> |
| If applicable, is only noncombustible material installed in the noncombustible areas?  |            |           |
| Do clearances meet installation and manual requirements?   |            |           |
| Do the mantels and/or projections comply with the installation manual?   |            |           |
| If applicable, was the solid fuel fireplace warning plate installed?   |            |           |
| Is the chase enclosure fully open the full width, height and depth above the fireplace as per the requirements noted in the framing section? |            |           |
| <b>Appliance Media Setup</b>   | <b>YES</b> | <b>NO</b> |
| Do commands from the remote or wall switch light the pilot and main burner?  |            |           |
| Are the burner media/log set, glass door, and screen installed per instructions in the manual?   |            |           |
| Was the air shutter on the proper setting after running the unit for 20 minutes?   |            |           |
| If applicable, were the surround and trims installed according to the manual?  |            |           |
| Was the operation of the fan, lights (if installed), and flame modulation checked?   |            |           |
| <b>Customer Tutorial and Presentation</b>  | <b>YES</b> | <b>NO</b> |
| Is the customer confident operating the new gas appliance and aware of all the features on the remote?                                       |            |           |
| Confirm that the rating and lighting plates are attached to the appliance. Do not remove.  |            |           |
| Was the customer informed of the location of the rating and lighting plates?   |            |           |
| Was accessing unit controls in a power outage explained to the customer?   |            |           |
| Are the model and serial numbers and the date of installation of the unit written in the manual and on the checklist?                        |            |           |
| Were the warranty and unit registration reviewed with the customer?  |            |           |
| <b>Comments:</b>   |            |           |
|  |            |           |
|  |            |           |
|  |            |           |
|  |            |           |
|  |            |           |

# owner's information

## Important Message

### SAVE THESE INSTRUCTIONS

The HZ54E Direct Vent Fireplace must be installed in accordance with these instructions. Carefully read all the instructions in this manual first. Consult the "authority having jurisdiction" to determine the need for a permit prior to starting the installation. It is the responsibility of the installer to ensure this fireplace is installed in compliance with manufacturers instructions and all applicable codes.

## Before You Start

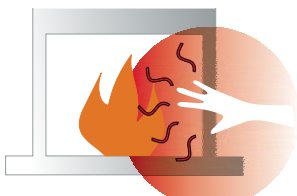
Safe installation and operation of this appliance requires common sense, however, we are required by the Canadian Safety Standards and ANSI Standards to make you aware of the following:

**INSTALLATION AND REPAIR SHOULD BE DONE BY AN AUTHORIZED SERVICE PERSON. THE APPLIANCE SHOULD BE INSPECTED BEFORE USE AND AT LEAST ANNUALLY BY A PROFESSIONAL SERVICE PERSON. MORE FREQUENT CLEANING MAY BE REQUIRED DUE TO EXCESSIVE LINT FROM CARPETING, BEDDING MATERIAL, ETC. IT IS IMPERATIVE THAT CONTROL COMPARTMENTS, BURNERS AND CIRCULATING AIR PASSAGEWAYS OF THE APPLIANCE BE KEPT CLEAN.**

**DUE TO HIGH TEMPERATURES, THE APPLIANCE SHOULD BE LOCATED OUT OF TRAFFIC AND AWAY FROM FURNITURE AND DRAPERIES.**

**WARNING: FAILURE TO INSTALL THIS APPLIANCE CORRECTLY WILL VOID YOUR WARRANTY AND MAY CAUSE A SERIOUS HOUSE FIRE.**

**CHILDREN AND ADULTS SHOULD BE ALERTED TO THE HAZARDS OF HIGH SURFACE TEMPERATURES, ESPECIALLY THE FIREPLACE GLASS, AND SHOULD STAY AWAY TO AVOID BURNS OR CLOTHING IGNITION.**



**YOUNG CHILDREN SHOULD BE CAREFULLY SUPERVISED WHEN THEY ARE IN THE SAME AREA AS THE APPLIANCE. TODDLERS, YOUNG CHILDREN AND OTHERS MAY BE SUSCEPTIBLE TO ACCIDENTAL CONTACT BURNS. A PHYSICAL BARRIERS IS RECOMMENDED IF THERE ARE AT RISK INDIVIDUAL IN THE HOUSE. TO RESTRICT ACCESS TO A FIREPLACE OR STOVE, INSTALL AN ADJUSTABLE SAFETY GATE TO KEEP TODDLERS, YOUNG CHILDREN AND OTHER AT RISK INDIVIDUALS OUT OF THE ROOM AND AWAY FROM HOT SURFACES.**

**CLOTHING OR OTHER FLAMMABLE MATERIAL SHOULD NOT BE PLACED ON OR NEAR THE APPLIANCE.**

**A BARRIER DESIGNED TO REDUCE THE RISK OF BURNS FROM THE HOT VIEWING GLASS IS PROVIDED WITH THIS APPLIANCE AND SHALL BE INSTALLED FOR THE PROTECTION OF CHILDREN AND OTHER AT-RISK INDIVIDUALS.**

**IF THE BARRIER BECOMES DAMAGED, THE BARRIER SHALL BE REPLACED WITH THE MANUFACTURER'S BARRIER FOR THIS APPLIANCE.**

**ANY SAFETY SCREEN, GUARD, OR BARRIER REMOVED FOR SERVICING AN APPLIANCE MUST BE REPLACED PRIOR TO OPERATING THE APPLIANCE.**

## General Safety Information

- 1) The appliance installation must conform with local codes or, in the absence of local codes, with the current Canadian or National Gas Codes, CSA B149.1 or ANSI Z223.1 Installation Codes.
- 2) The appliance when installed, must be electrically grounded in accordance with local codes, or in the absence of local codes with the current National Electrical Code, ANSI/NFPA 70 or CSA C22.1 Canadian Electrical Code.
- 3) See general construction and assembly instructions. The appliance and vent should be enclosed.



**WARNING: Cancer and Reproductive Harm**  
[www.P65Warnings.ca.gov](http://www.P65Warnings.ca.gov)

- 4) This appliance must be connected to the specified vent and termination cap to the outside of the building envelope. Never vent to another room or inside a building. Make sure that the vent is fitted as per Venting instructions.
- 5) Inspect the venting system annually for blockage and any signs of deterioration.
- 6) Venting terminals shall not be recessed into a wall or siding.
- 7) Any safety glass removed for servicing must be replaced prior to operating the appliance.
- 8) To prevent injury, do not allow anyone who is unfamiliar with the operation to use the fireplace.
- 9) Wear gloves and safety glasses for protection while doing required maintenance.
- 10) Be aware of electrical wiring locations in walls and ceilings when cutting holes for termination.
- 11) Under no circumstances should this appliance be modified. Parts that have to be removed for servicing should be replaced prior to operating this appliance.
- 12) Installation and any repairs to this appliance should be done by an authorized service person. A professional service person should be called to inspect this appliance annually. Make it a practice to have all of your gas appliances checked annually.
- 13) Do not slam shut or strike the glass door.
- 14) Under no circumstances should any solid fuels (wood, paper, cardboard, coal, etc.) be used in this appliance.
- 15) The appliance area must be kept clear and free of combustible materials, (gases and other flammable vapours and liquids).

919-874

## Lighting Procedure

**IMPORTANT:** The remote control system supplied with this appliance has several options for starting/operating the appliance using the power button and ON/OFF key on the hand held transmitter.

Prior to operating this appliance, please read the remote control operating instructions (packaged with remote control) to understand how to operate this remote control system. Option to download remote functions video with QR code below.



Proflame video

1. Ensure the wall switch/receiver is in the remote position. (see Diagram 1).

Set Switch to Remote



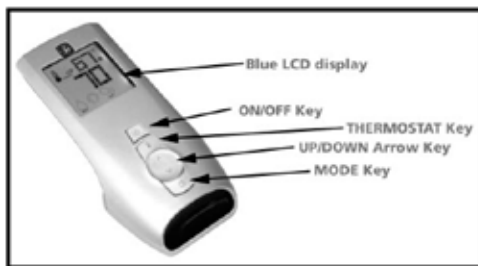
Diagram 1

2. Press and release the ON/OFF button on the remote handheld transmitter (see Diagram 2). An audible beep should be heard from the receiver.



Diagram 2

Remote shown in Manual Mode on Hi



**Note:** May not be exactly as shown as hand-held may be silver or black.

3. After approximately 4 seconds the spark ignition system will spark for 60 seconds to light the pilot.
4. The unit will turn on.

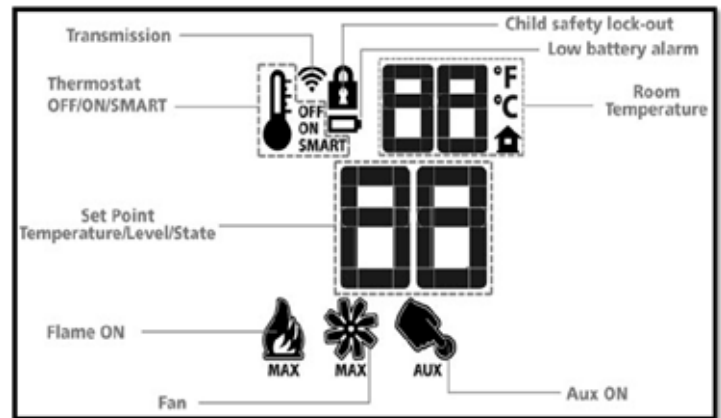
**Note:** The first try for ignition will last approximately 60 seconds. If there is no flame ignition (rectification) the board will stop sparking for approximately 35 seconds. After wait time, the board will start second try for ignition by sparking for approximately 60 seconds. If there is still no positive ignition the board will go into lock out.

The system will need to be reset as follows:

- a) Turn the system off using ON/OFF switch or press ON/OFF button - if using remote.
- b) After approximately 2 seconds turn on ON/OFF switch or press ON/OFF button if using remote.
- c) Repeat step 2.

## Shutdown Procedure

1. Turn the wall mounted switch or remote to the "OFF" position.
2. Press "OFF" on the remote control.
3. Turn the gas control knob to the "OFF" position to turn off the pilot.



## Copy of Lighting Plate Instructions

### FOR YOUR SAFETY READ BEFORE LIGHTING POUR VOTRE SÉCURITÉ – À LIRE AVANT LA MISE EN MARCHÉ

**WARNING:** If you do not follow these instructions exactly, a fire or explosion may result causing property damage, personal injury or loss of life. Improper installation, adjustment, alteration, service or maintenance can cause injury or property damage. Refer to the owner's information manual provided with this appliance. For assistance or additional information consult a qualified installer, service agency or gas supplier.

**AVERTISSEMENT :** Quiconque ne respecte pas scrupuleusement les instructions de la présente notice risque de déclencher un incendie ou une explosion pouvant entraîner des dégâts matériels ou des blessures pouvant être mortelles.

Tout défaut d'installation, de réglage, de modification, de service ou d'entretien peut entraîner des blessures ou des dommages matériels. Reportez-vous au manuel d'utilisation fourni avec cet équipement. Pour obtenir de l'aide ou des informations complémentaires, consulter un installateur ou un service d'entretien qualifié, ou le fournisseur de gaz.

A) This appliance is equipped with an ignition device which automatically lights the pilot.

Do not try to light the pilot by hand.

B) **BEFORE OPERATING** smell all around the appliance area for gas. Be sure to smell next to the floor because some gas is heavier than air and will settle on the floor.

**WHAT TO DO IF YOU SMELL GAS**

- Do not try to light any appliance.
- Do not touch any electric switch, do not use any phone in your building.
- Leave the building immediately.
- Immediately call your gas supplier from a neighbours phone. Follow the gas supplier's instructions.
- If you cannot reach your gas supplier, call the fire department.

C) Do not use this appliance if any part has been under water. Immediately call a qualified service technician to inspect the appliance and to replace any part of the control system and any gas control which has been underwater.

A) Cet appareil est muni d'un dispositif d'allumage qui allume automatiquement la veilleuse.  
Ne tentez pas d'allumer la veilleuse manuellement.

B) **AVANT LA MISE EN MARCHÉ**, reniflez tout autour de l'appareil pour déceler une odeur de gaz. Reniflez au niveau du plancher, car certains gaz sont plus lourds que l'air et peuvent s'accumuler au niveau du sol.

**QUE FAIRE SI VOUS SENTEZ UNE ODEUR DE GAZ :**

- Ne tentez pas d'allumer l'appareil
- Ne touchez à aucun interrupteur; n'utilisez pas le téléphone se trouvant dans le bâtiment.
- Quittez immédiatement le bâtiment.
- Appelez immédiatement votre fournisseur de gaz depuis un téléphone extérieur. Suivez les instructions du fournisseur.
- Si vous ne pouvez pas rejoindre le fournisseur, appelez le service incendie.

C) N'utilisez pas cet appareil s'il a été plongé dans l'eau, même partiellement. Faites inspecter l'appareil par un technicien qualifié et remplacez tout élément du système de contrôle ou de commande qui a été plongé dans l'eau.

**CAUTION: Hot while in operation. Do not touch. Severe burns may result. Due to high surface temperatures keep children, clothing and furniture, gasoline and other liquids having flammable vapors away. Keep burner and control compartment clean. See installation and operating instructions accompanying appliance.**

**ATTENTION :** Surfaces chaudes lorsque l'appareil est en marche. Ne pas toucher. Risque de brûlures graves. En raison des températures élevées, les enfants, les vêtements et le mobilier, le carburant et tout autre liquide aux vapeurs inflammables doivent être tenus éloignés de l'appareil. Nettoyer régulièrement le brûleur et le compartiment des commandes. Voir les consignes d'installation et d'utilisation fournies avec l'appareil.

### OPERATING INSTRUCTIONS / CONSIGNES DE FONCTIONNEMENT

1) **STOP! Read the safety information above on this label.**

2) Ensure the Main switch is in the ON position and/or the wall mounted battery holder (if equipped) is in the <REMOTE> position.

3) Press and release the ON/OFF button on the remote handheld transmitter. An audible beep should be heard from the receiver. If not using the remote, the unit can also be turned on by sliding the battery holder switch to the <ON> position (if equipped).

4) After approximately 4 seconds the spark ignition system will spark for 60 seconds to light the main burner.

5) The unit will turn on.

Note: The first attempt to ignition will last approximately 60 seconds. If there is no flame ignition (rectification) the board will stop sparking for approximately 35 seconds. After this wait time, the board will start a second try for ignition by sparking for approximately 60 seconds. If there is still no positive ignition after the second attempt the board will go into lock out.

The system will need to be reset as follows (after going into lock out mode):

- a) Wait 5 minutes - turn the system off by pressing the ON/OFF button on the remote.
- b) After approximately 2 seconds press the ON/OFF button again.
- c) Unit will repeat step 2.

6) If the appliance will not operate, follow the instructions, "To Turn Off Gas to Appliance" and call your service technician or gas supplier. This appliance is equipped with an on-demand pilot that shuts off after seven days.

1) **STOP! Lisez les instructions de sécurité sur la portion supérieure de cette étiquette.**

2) S'assurer que le commutateur principal est en position ON et/ou que le bloc-piles mural (le cas échéant) est en position <REMOTE>.

3) Appuyer sur la touche ON/OFF de la télécommande puis relâcher. Un bip sonore retentira depuis le récepteur. Si vous n'utilisez pas la télécommande, l'appareil peut également être allumé en faisant glisser le commutateur du bloc-piles sur la position <ON> (le cas échéant).

4) Après environ 4 secondes, le système d'allumage produira une étincelle pendant 60 secondes pour allumer le brûleur principal.

5) L'appareil s'allumera.

Remarque : Au premier allumage, le système tente d'allumer les flammes pendant 60 secondes. Si l'essai est infructueux, le système fera une pause de 35 secondes. C'est ce qu'on appelle l'étape de rectification. Ce délai écoulé, le système tente à nouveau d'allumer les flammes en produisant des étincelles pendant 60 secondes. Si les flammes ne s'allument toujours pas, le système se met en mode verrouillage.

Il faut alors le réinitialiser en suivant les étapes ci-dessous (pour le déverrouiller) :

- a) Attendre 5 minutes et éteindre l'appareil en appuyant sur la touche ON/OFF de la télécommande.
- b) Attendre 2 secondes et appuyer encore une fois sur la touche ON/OFF.
- c) L'appareil répètera l'étape 2.

6) Si l'appareil ne fonctionne pas, suivez les instructions "Pour couper le gaz au niveau de l'appareil" et appelez un technicien qualifié ou votre fournisseur de gaz.

Cet appareil est équipé d'une veilleuse sur demande qui s'éteint après sept jours.

### TO TURN OFF GAS TO APPLIANCE / POUR COUPER LE GAZ AU NIVEAU DE L'APPAREIL

1) Press the ON/OFF button on the remote or slide the wall mount switch to the "OFF" position.

2) If service is to be performed—you must disconnect power and shut off gas to the unit.

1) Appuyer sur la touche ON/OFF de la télécommande ou faites glisser l'interrupteur mural sur la position "OFF".

2) Lors de l'entretien de l'appareil, vous devez débrancher l'alimentation électrique et couper le gaz alimentant l'appareil.

**DO NOT REMOVE THIS INSTRUCTION PLATE**

**NE PAS ENLEVER CETTE ÉTIQUETTE D'INSTRUCTIONS**

919-649b

## Proflame I Remote Control Operating Instructions

**IMPORTANT:** The Proflame Transmitter 1 is an integrated part of the Proflame 1 System, which consists of these elements:

- Proflame 1 Transmitter, to be used in conjunction with:
- Integrated Fireplaces Control (Proflame 1 DFG)

The Proflame 1 Transmitter provides for controlling the following hearth appliance functions:

1. Main Burner On/Off
2. Main Burner flame modulation (6 levels)
3. Thermostat and Smart thermostat functions
4. Accent light modulation (6 levels)\*\*
5. Comfort Fan speed modulation (6 levels)\*\*

\*\* This feature is not available on all models.

The Proflame Transmitter uses a streamline design with a simple button layout and informative LCD display (Fig. 1). A Mode Key is provided to index between the features and a Thermostat Key is used to turn on/off or index through Thermostat functions (Fig. 1 & 2). Additionally, a Key Lock feature is provided (Fig. 22).



Figure 1: Proflame Transmitter

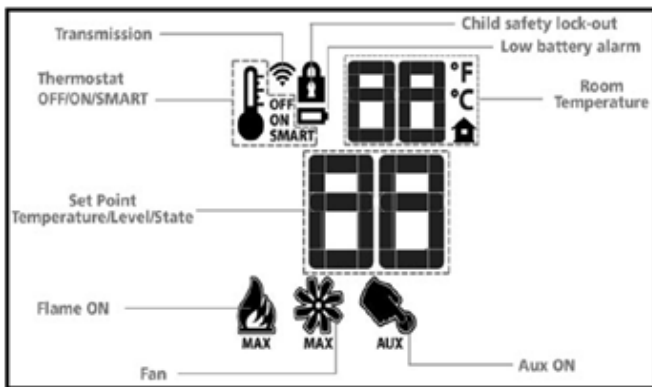


Figure 2: Transmitter LCD Display

**Note:** May not be exactly as shown as hand-held may be silver or black.

**Note:** May not be exactly as shown as hand-held may be silver or black.

| TECHNICAL DATA<br>REMOTE CONTROL |                                 |
|----------------------------------|---------------------------------|
| Supply Voltage                   | 4.5V (three 1.5V AAA batteries) |
| Ambient temperature ratings      | 0 - 50°C (32 - 122°F)           |
| Radio Frequency                  | 315 MHZ                         |

**WARNING: THE TRANSMITTER AND RECEIVER ARE RADIO FREQUENCY DEVICES. PLACING THE RECEIVER IN OR NEAR METAL MAY SEVERELY REDUCE THE SIGNAL**

### ATTENTION!

- Turn "OFF" the main gas supply of the appliance during installation or maintenance of the Receiver device.

- Turn "OFF" main gas supply to the appliance prior to removing or reinserting the batteries.

- In case of remote control malfunction, turn off the IFC device using the "ON/OFF" main switch.

- For installation / maintenance, switch off the IFC device removing main power supply plug.

### OPERATING PROCEDURE

#### Pairing the remote control to remote receiver / battery holder (if required)

Power the receiver. Press the PRG button located on the top right hand corner of receiver, see the receiver instruction(\*). The Receiver will "beep" three (3) times to indicate that it is ready to synchronize with a Transmitter. Install the 3 AAA type batteries in the Transmitter battery bay, located on the base of the Transmitter. (fig. 3) With the batteries already installed in the Transmitter, push the On button. The Receiver will "beep" four times to indicate the Transmitter's command is accepted and sets to the particular code of that Transmitter. The system is now initialized.

(\* ) The receiver may be independent or integral to the IFC hearth appliance control module. The receiver instruction may not be independent when part of the IFC.

**Note:** Only use regular alkaline batteries. Do not use rechargeable or lithium batteries.



Figure 3: Battery Compartment

**Temperature indication Display**

With the system in the "OFF" position, press the Thermostat Key and the Mode Key at the same time. Look at the LCD screen on the transmitter to verify that a C or F is visible to the right of the room temperature display (Figures 4 & 5).

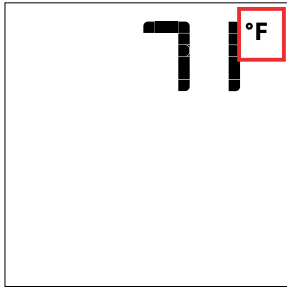


Figure 4: Remote Control display in Fahrenheit.

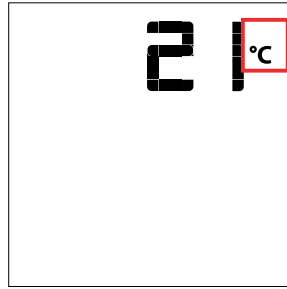


Figure 5: Remote Control display in Celsius.

**Turn on the Appliance**

With the system OFF, press the ON/OFF Key on the Transmitter. The Transmitter display will show some other active Icons on the screen. At the same time the Receiver will activate the appliance. A single "beep" from the Receiver will confirm reception of the command.

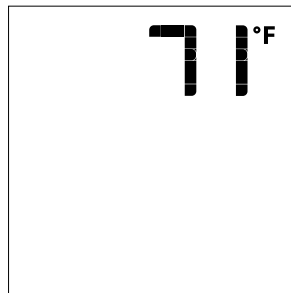


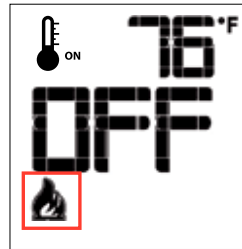
Figure 6: Remote Control display

**Turn off the Appliance**

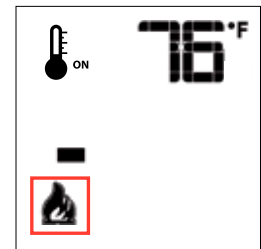
With the system ON, press the ON/OFF Key on the Transmitter. The Transmitter LCD display will only show the room temperature (Fig. 6). At the same time the Receiver will turn off the appliance. A single "beep" from the Receiver confirms reception of the command.

**Remote-Flame Control**

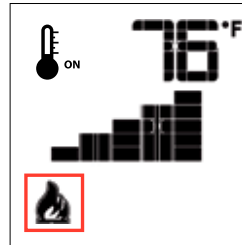
The Proflame has six (6) flame levels. With the system on, and the flame level at the maximum in the appliance, pressing the Down Arrow Key once will reduce the flame height by one step until the flame is turned off. The Up Arrow Key will increase the flame height each time it is pressed. If the Up Arrow Key is pressed while the system is on but the flame is off, the flame will come on in the high position (Fig. 7 & 8). A single "beep" will confirm reception of the command.



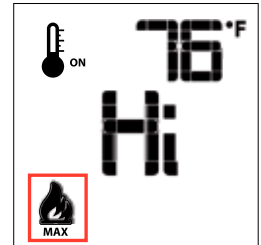
Flame Off



Flame Level 1



Flame level 5



Flame Level Maximum

Fig. 7

Fig. 8

**Room Thermostat (Transmitter Operation)**

The Remote Control can operate as a room thermostat. The thermostat can be set to a desired temperature to control the comfort level in a room. To activate this function, press the Thermostat Key (Fig. 1). The LCD display on the Transmitter will change to show that the room thermostat is "ON" and the set temperature is now displayed (Fig. 9). To adjust the set temperature, press the Up or Down Arrow Keys until the desired set temperature is displayed on the LCD screen of the Transmitter.

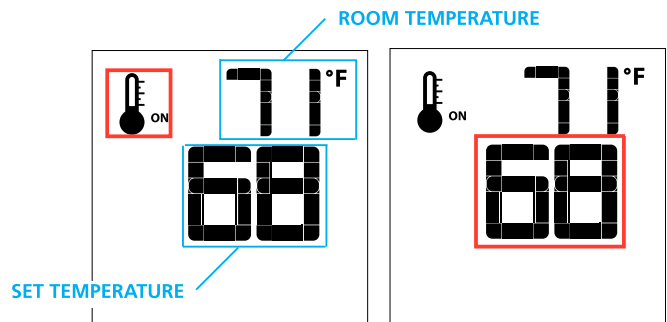


Figure 9

Figure 10

### Smart Thermostat (Transmitter Operation)

The Smart Thermostat function adjusts the flame height in accordance to the difference between the set point temperature and the actual room temperatures. As the room temperature gets closer to the set point the Smart Function will modulate the flame down.

To activate this function, press the Thermostat Key (Fig. 1) until the word "SMART" appears to the right of the temperature bulb graphic (Fig. 11). To adjust the set temperature, press the Up or Down Arrow Keys until the desired set temperature is displayed on the LCD screen of the Transmitter (Fig. 12).

Note. When Smart Thermostat is activated, manual flame height adjustment is disabled.

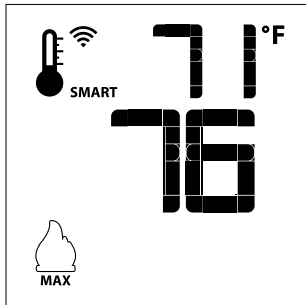


Figure 11: Smart Flame Function

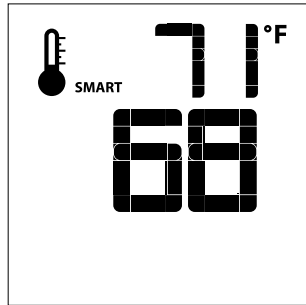


Figure 12

### Fan Speed Control\*\*

If the appliance is equipped with a hot air circulating fan, the speed of the fan can be controlled by the Proflame system. The fan speed can be adjusted through six (6) speeds. To activate this function use the Mode Key (fig.1) to index to the fan control icon (Fig. 13). Use the Up/Down Arrow Keys (fig.1) to turn on, off or adjust the fan speed (fig. 14). A single "beep" will confirm reception of the command.

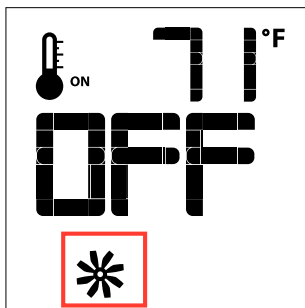


Figure 13

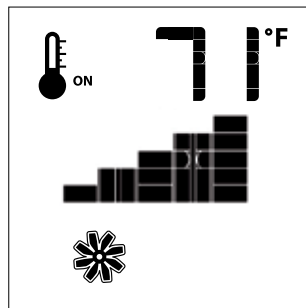


Figure 14

### Remote dimmer control (Light)\*\*

The auxiliary function controls the AUX power outlet by the dimmable light control. To activate this function use the Mode Key (fig. 1) to index to the AUX icon (fig. 15 & 16).

The intensity of the output can be adjusted through six (6) levels. Use the Up/Down Arrow Keys (fig.1) adjust the output level (fig. 16). A single "beep" will confirm reception of the command.

**Note:** This function is available only with the IFC Control Module.

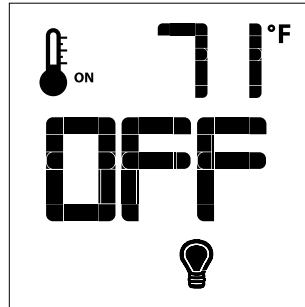


Figure 15

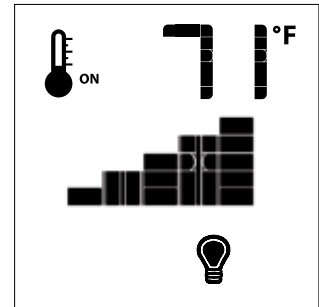


Figure 16

### KEY LOCK

This function will lock the keys to avoid unsupervised operation.

To activate this function, press the MODE and UP Keys at the same time (fig. 21).

To de-activate this function, press the MODE and UP Keys at the same time.

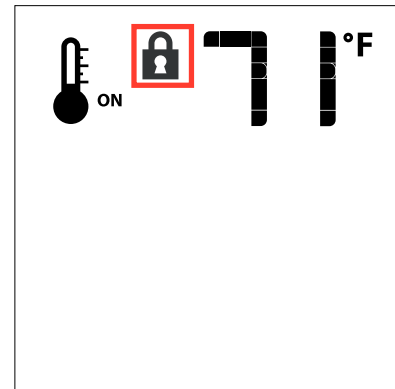


Figure 18

## LOW BATTERY POWER DETECTION

### Transmitter

The life span of the remote control batteries depends on various factors: quality of the batteries used, the number of ignitions of the appliance, the number of changes to the room thermostat set point, etc. When the Transmitter batteries are low, a Battery Icon will appear on the LCD display of the Transmitter (Fig. 22) before all battery power is lost. When the batteries are replaced this Icon will disappear.

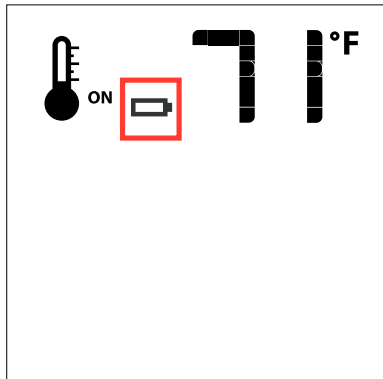


Figure 19

### CPI/IPI Switch

This appliance comes equipped with a CPI/IPI switch. (See noted location of CPI/IPI switch)

The functions of both the CPI/IPI switch are as follows:

**Continuous pilot (CPI)** - A pilot that, once placed in operation, is intended to remain ignited continuously until it is manually interrupted.

**Intermittent pilot (IPI)** - A pilot that is automatically ignited when an appliance is called on to operate and which remains continuously ignited during each period of main burner operation. The pilot is automatically extinguished when each main burner operating cycle is completed

The mode of the fireplace is easily changed from an intermittent pilot ignition system (IPI) to a continuous pilot ignition system (CPI) by using the silver toggle switch located on the fireplace. (See noted location of CPI/IPI Switch)

The benefits of having CPI are as follows:

- Keeps venting primed for trouble free start-up under colder weather conditions or inversions.
- Keeps the unit glass warm, which decreases the amount of condensation on start-up.
- Provides owners with flexibility to choose a traditional continuous pilot. (7 day/Pilot on Demand)

The primary benefit of having the IPI function is a significant savings on fuel as the pilot will only run when there is a call for heat.

**ENABLE / DISABLE** functions on the Proflame I remote only.

1. Remove one battery from the remote.
2. Press and hold both the **ON/OFF** and the **MODE** button at the same time
3. Reinstall the battery (removed in Step 1) while still holding both buttons (keep holding both buttons and once all batteries are installed then release the **MODE** button only).
4. The screen will show **CFG**.
5. Use the up or down arrow button to program out the function on the remote.

**Note:** You should never program out the fan (If installed) feature on the remote. It is not possible to remove the thermostat mode on this remote control.



*This Surefire switch is located at the bottom right center, behind the front wall.*



## Proflame I Remote Receiver Battery Replacement & Battery Backup if 120V Power is lost within home

If no fan control module or AC adaptor is installed, 4 AA batteries are mandatory in the remote receiver to operate the appliance when using the remote control.

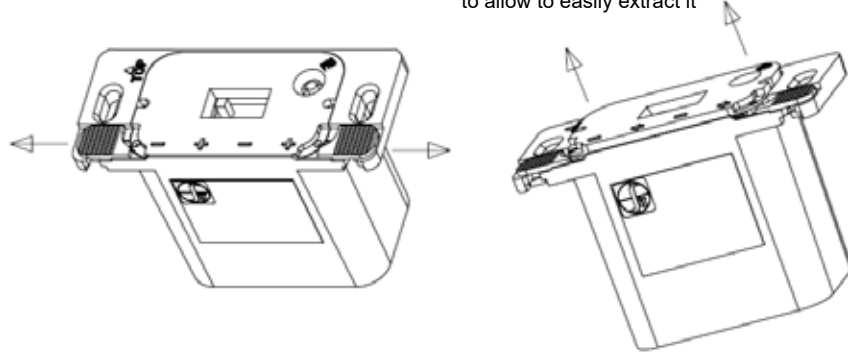
How to replace/add the batteries on remote receiver (Proflame 1).

Note : If a wall switch cover plate is installed, first remove cover plate by removing 2 small phillips head screws

### STEP 1

Move both the left/right slides as shown below.

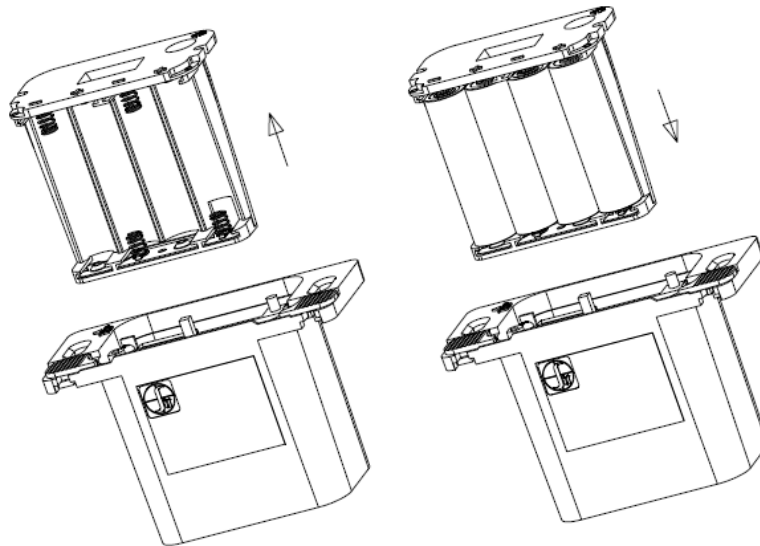
The battery compartment will be pushed out slightly, to allow to easily extract it



### STEP 2

Extract the battery compartment from the remote receiver/battery holder

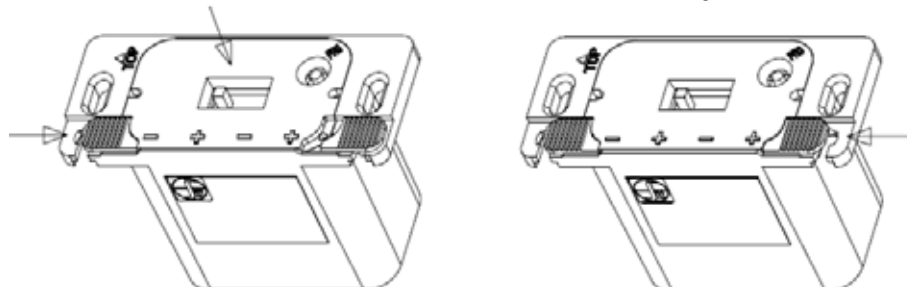
Replace 4 x AA batteries and insert the battery compartment back into remote receiver/battery holder



### STEP 3

Keeping the battery compartment pressed in, close the left slide

Close the right slide



STEP 4 Reinstall wall cover plate with 2 Phillips head screws.

# installer's information

## Installation Checklist

1. Locate appliance:
  - a) Room location (Refer to "Locating Your Gas fireplace" section)
  - b) Clearances to Combustibles (Refer to "Clearances" section)
  - c) Mantel Clearances (Refer to "Mantel Clearances" section)
  - d) Framing & Finishing Requirements (Refer to "Framing & Finishing" section)
  - e) Venting Requirements (Refer to "Venting" section)
2. Assemble Top and Side Standoffs (Refer to "Unit Assembly Prior to Installation").
3. Slide unit into place.
4. Wire 120 volt AC power to the supplied receptacle box located on lower left hand side of appliance. The Duplex receptacle and receptacle cover are also included and will be located in the manual package. Note : This heater does not require 120 volt AC supply for operation of the burner but is highly recommended as a primary power source to eliminate the need for 4 AA batteries. Batteries should only be used as a secondary power source when power is lost within the home. 120 Volt AC power is also required for the optional blower.
5. Install junction box supplied with appliance. Install remote receiver inside of junction box. Hook receiver to wire marked receiver. This will enable operation of the burner. If 120 Volt AC power was brought to appliance, batteries are not required.
6. Install vent (Refer to "Venting Arrangement" sections).
7. Make gas connections (Refer to "Gas Line Installation" section).
8. Install 4AA batteries into battery pack or use AC power adaptor supplied with unit.
9. See remote control instructions for operation of this device.
10. Test the pilot (Refer to "Pilot Adjustment" section).
11. Test Gas Pressure (Refer to "Gas Pipe Pressure Testing" section).
12. Install standard and optional features. Refer to the following sections:
  - a) Optional Log Set Installation
  - b) Glass Crystals/Optional Ceramic Stones
  - c) Optional Firebox Base Pebbles
  - d) Optional Reflective Panels
  - e) Faceplate / Door Frame Overlay
  - f) Driftwood Log Set
11. Final check.

Before leaving this unit with the customer, the installer must ensure that the appliance is firing correctly and **operation fully explained to customer.**

### This includes:

1. Clocking the appliance to ensure the correct firing rate (rate noted on label 41,500 Btu/h (NG), 37,000 BTU/h (LP)), after burning appliance for 15 minutes.
2. If required, adjusting the primary air to ensure that the flame does not carbon. First allow the unit to burn for 15-20 min. to stabilize.

**CAUTION: Any alteration to the product that causes sooting or carboning that results in damage is not the responsibility of the manufacturer.**

## Locating Your Gas Fireplace

1. When selecting a location for your fireplace, ensure that the clearances are met.
2. The appliance must be installed on a flat, solid, continuous surface For example a wood, metal or concrete floor or in a raised (on the wall) application. The appliance must be installed on a metal or wood panel extending the full width and depth of the appliance.
3. The HZ54E Direct Vent Gas Fireplace can be installed in a recessed position or framed out into the room as in A, B, C and D. See Diagram 1.

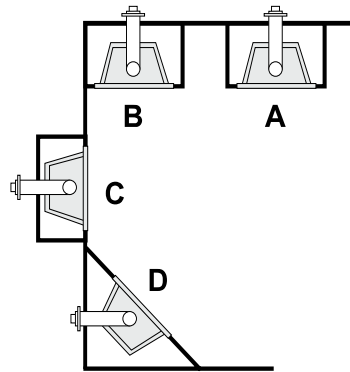


Diagram 1

- A) Flat on Wall
- B) Flat on Wall Corner
- C) Recessed into Wall/Alcove
- D) Corner

4. This appliance is Listed for bedroom installations using the standard Remote (millivolt thermostat system). Some areas may have further requirements, check local codes before installation.
5. The HZ54E Direct Vent Gas Fireplace is approved for alcove installations, see "Clearances" section for details.
6. We recommend that you plan your installation on paper using exact measurements for clearances and floor protection before actually installing this appliance. Have an authorized inspector, dealer, or installer review your plans before installation.

**Note: For vent terminations refer to "Exterior Vent Termination Locations" section.**

## Heatwave Duct System Optional Kit (Part #946-556)

The **HeatWave** Air Duct Kit increases the effectiveness of your fireplace by dispersing warm air from the fireplace to remote locations in the same room or other rooms in your home.

Up to two kits may be installed on the fireplace.

**Please Note:** Only 1 HeatWave kit may be operated at one time. This includes the internal blower option as well.



**Clearances**

The clearances listed below are minimum distances unless otherwise stated:

A major cause of chimney related fires is failure to maintain required clearances (air space) to combustible materials. It is of the greatest importance that this fireplace and vent system be installed only in accordance with these instructions.

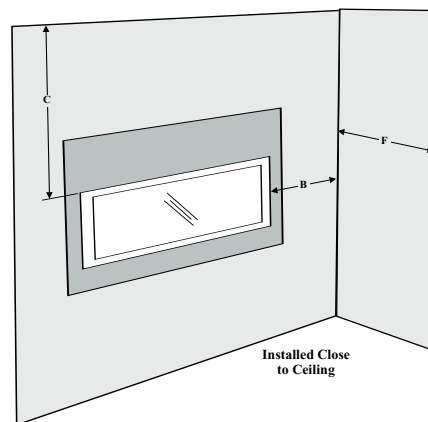
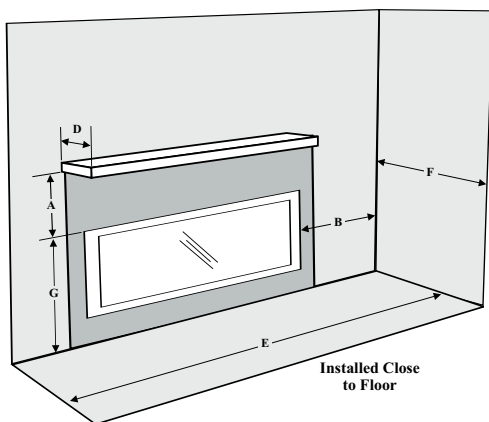
**Caution Requirements**  
The top, back and sides of the fireplace are defined by standoffs. The metal ends of the standoff may **NOT** be recessed into combustible construction.

**WARNING**  
Fire hazard is an extreme risk if these clearances (air space) to combustible materials are not adhered to. It is of greatest importance that this fireplace and vent system be installed only in accordance with these instructions.

| Clearance:                             | Dimension         | Measured From:                 |
|--|-------------------|--------------------------------|
| <b>A: Mantel Height (min.)</b>         | 20" (508mm)       | Top of Fireplace Opening       |
| <b>B: Sidewall (on one side)</b>       | 4" (102mm)        | Side of Fireplace Opening      |
| <b>C: Ceiling (room and/or alcove)</b> | 40-7/8" (1038mm)  | Top of Fireplace Opening       |
| <b>D: Mantel Depth (max.)</b>          | 13" (330mm)       | 30" Above Fireplace Opening    |
| <b>E: Alcove Width</b>                 | 83" (2108mm)      | Sidewall to Sidewall (Minimum) |
| <b>F: Alcove Depth</b>                 | 36" (914mm)       | Front to Back Wall (Maximum)   |
| <b>G: To Floor</b>                     | 28 - 7/8" (733mm) | Top of Fireplace Opening       |
| <b>Note</b>                            | 0"                | No hearth required             |

The **HeatWave** Duct Kit has different clearance and framing requirements, check the **HeatWave** manual for details.

| Flue Clearances to Combustibles                             |        |
|---|--------|
| Horizontal - Top  | 3"     |
| Horizontal - Side   | 2"     |
| Horizontal - Bottom   | 2"     |
| Vertical  | 2"     |
| Passing through wall/floor/ceiling - when firestop is used. | 1-1/2" |

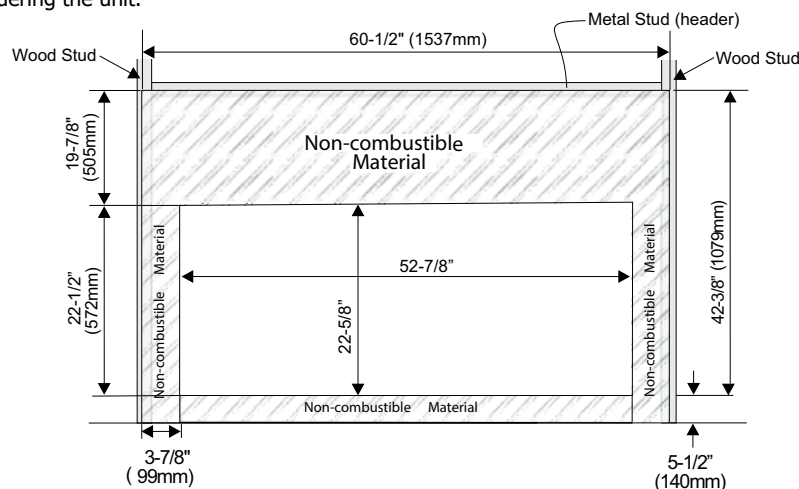


**Non-Combustible Requirements**

**Note:** if using the non-combustible board supplied by Regency (Part # 476-936) the non-combustible board is slightly larger. See non-combustible facing in this manual for details.

If using other noncombustible materials such as HardieBacker, concrete board, Micore board etc., the dimensions noted on this page may be used.

**IMPORTANT:** If finishing the wall above the unit with paint only, the noncombustible board supplied by Regency (Part # 476-936) should be installed. Facing board must be ordered when ordering the unit.



# installation

## Non-Combustible Facing Board

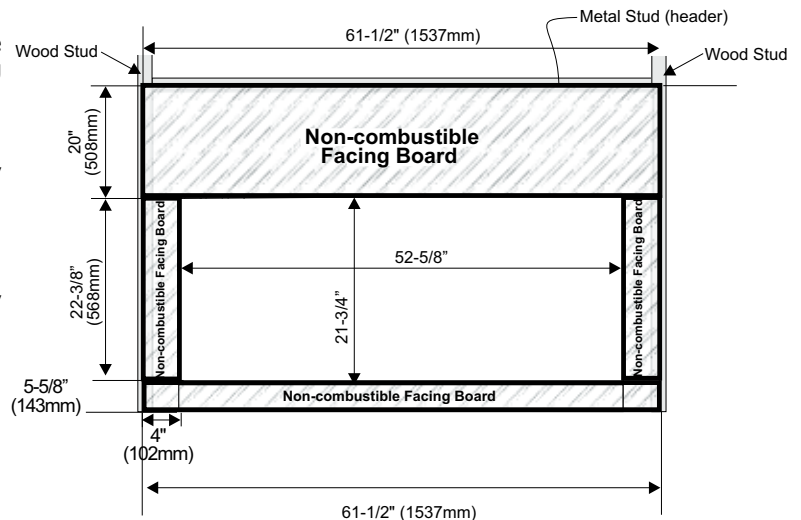
All four pieces (top, 2 sides, bottom) are now supplied (shipped separately) to meet the non combustible requirements. (Previously only the top was supplied).

If finishing the wall above the unit with paint - the non-combustible board (shipped separately from the unit) should be installed. Facing board must be ordered when ordering the unit.

Calcium silicate board is a high - grade material with cement, quartz, natural and selected minerals as the main raw materials. It is widely used for partitions and ceilings in buildings. It is fire proof and earthquake proof.

If finishing the wall above the unit with materials such as tile, brick, marble, etc. non-combustible board available from the building supply store can be used.

**Note:** Calcium Silicate is 1/2" thick.



## Non-Combustible Facing Installation

**Caution:** The non-combustible board can be damaged if dropped or struck. **Handle with care.**

1) Using drywall screws - secure non combustible material around unit, framing and top nailing strip every 6 inches.

**Important Note:** To avoid cracking the board - pre-drill holes prior to securing to unit/ framing.

2) Wipe any debris/dust from the non combustible material and drywall.

3) Prior to securing it is mandatory to prime the facing and edges using a quality primer. This will ensure proper adhesion of both the tape, mud and paint. The supplied board is very porous. Failure to follow this procedure will result in cracked seams.

4) Tape the seams using a mesh type tape.

5) Mud seams as normal. We recommend using a product called Durabond high strength compound - for the first coat. This product can be found at any hardware store. Mud must be cured as per manufacturer's recommendations.

6) Prime wall for a second time for proper adhesion of paint

7) Paint walls using a high quality paint which will withstand the high temperatures being emitted from this appliance.

### IMPORTANT

Regency Fireplace Products are designed, produced, tested and certified to the highest industry standards.

The finishing of the walls surrounding your Regency Horizon Fireplace is as critical as the installation itself.

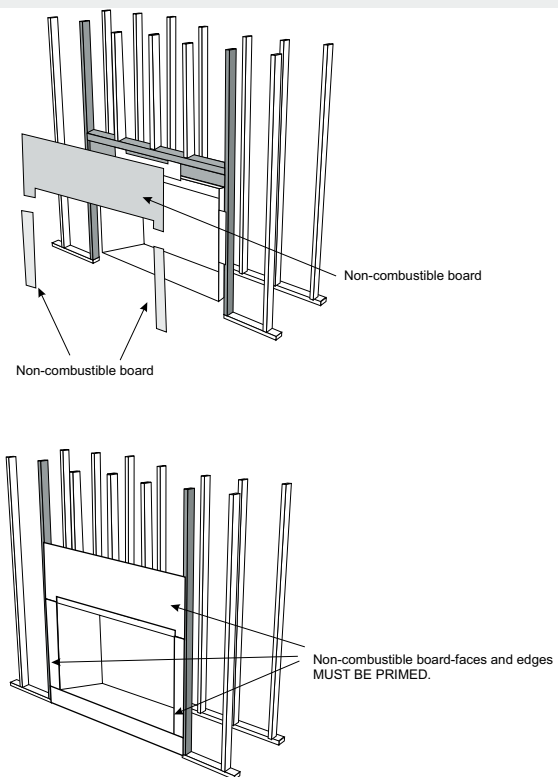
The temperatures around linear gas fireplaces are typically higher than would be acceptable for combustible materials. Your Regency Horizon Fireplace is no exception to this rule. Therefore, the units are specified with non-combustible required materials to specific dimensions above and around the units. This is due to these areas reaching higher temperature levels than required/acceptable for a combustible material. To obtain the best, most durable finish around your fireplace, this calls for a high level of care and attention to the preparation and finish around this appliance, using only the highest quality materials, able to withstand the temperatures produced.

By following the installation instructions in the manual exactly, you will increase your chances of a damage free finish.

While every precaution is taken in providing the recommendations on preparation and finish, given the variations in paint quality, with temperature limits and workmanship in application, Regency is unable to guarantee the life of the joint compounds, paint or any other finish materials or workmanship applied to or used in any application surrounding the fireplace. This includes framing as well as finishing.

Over time natural convection from any fireplace can cause discoloration in the area directly above the appliance. Lower quality paints, under-prepared finishes, poor applications, and any framing discrepancies or in the installation can cause this discoloration process to be expedited. Discoloration is not the responsibility of Regency Fireplace Products. This is outwith the control of Regency Fireplace Products Ltd., therefore not covered under any part of the warranty policy.

While discoloration is not the responsibility of Regency Fireplace Products, we believe careful attention to the recommendations provided here will result in an aesthetically pleasing result free of issues outlined above.

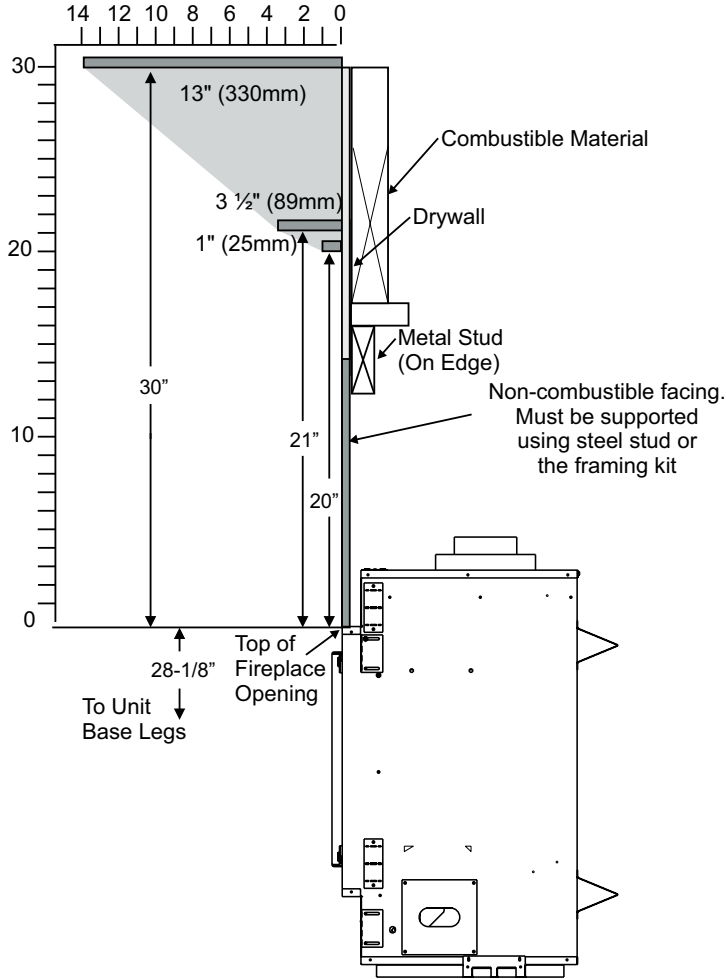


### Mantel Clearances

**Due to the extreme heat this fireplace emits, the mantel clearances are critical.** Combustible mantel clearances from top of front facing are shown in the diagram on the right.

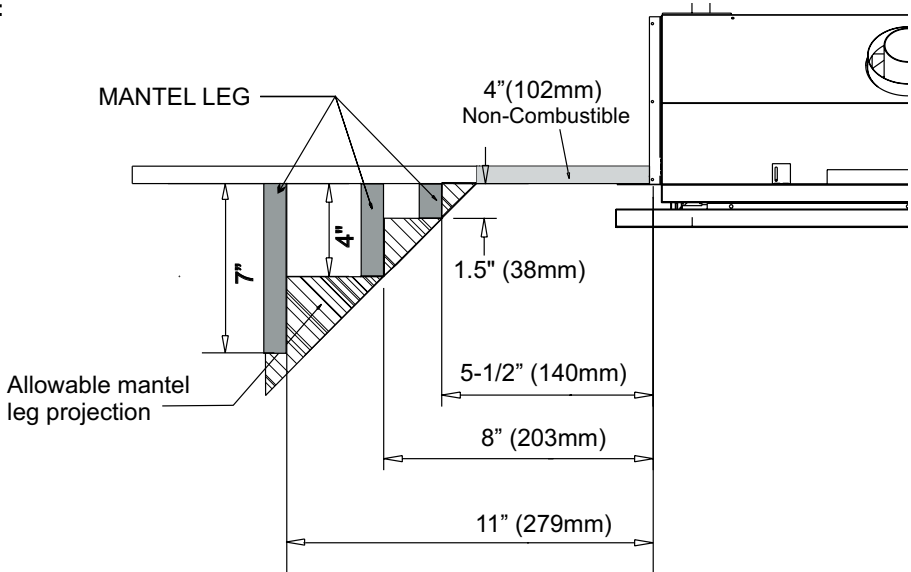
**Note: A non-combustible mantel may be installed at a lower height if the framing is made of metal studs covered with a non-combustible board. The non-combustible mantel when installed at a lower overall height may not be lower than 6 inches from the top of the fireplace opening.**

**Note: Ensure the paint that is used on the mantel and the facing is "High Quality" or the paint may discolour.**



### Mantel Leg Clearances

Combustible mantel leg clearances as per diagram:



# installation

## Framing & Finishing

- 1) Frame in the enclosure for the unit with framing material.

**IMPORTANT: Header must be metal stud.** All other framing may be of combustible type such as 2x4 / 2x6 framing materials.

**Note: When constructing the framed opening, please ensure there is access to install the gas lines when the unit is installed.**

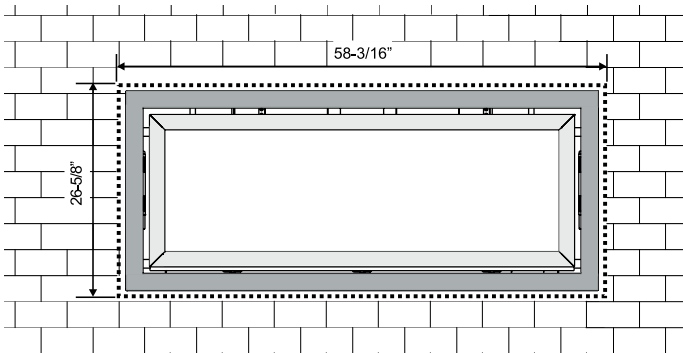
- 2) For exterior walls, insulate the enclosure to the same degree as the rest of the house, apply vapour barrier and drywall, as per local installation codes. **(Do not insulate the fireplace itself.)**

**WARNING: Failure to insulate and add vapor barriers to the inside of the exterior wall will result in operational and performance problems including, but not limited to: excessive condensation on glass doors, poor flame package, carbon, blue flames etc. These are not product related issues.**

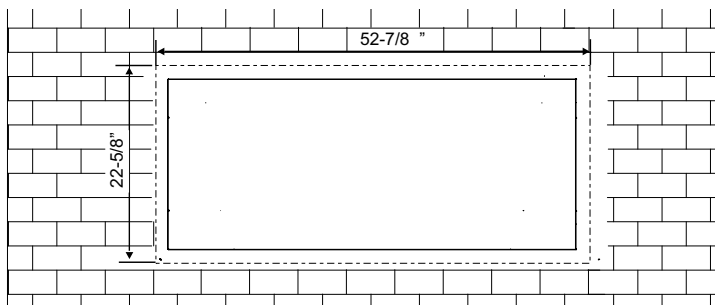
- 3) The unit does not have to be completely enclosed in a chase. You must maintain clearances from the vent to combustible materials: See "Clearances" section. Combustible materials can be laid against the side and back standoffs and the stove base.

- 4) When finishing around the faceplate, if material such as brick, stone, etc. extend past the faceplate depth due to the finished material exceeding 3-1/8" - the minimum opening dimensions noted below **must** be adhered to, this is to ensure removal of the faceplate.

Faceplate and Door Frame-Perfect Edge Design



For material such as brick, stone, etc that extends 3-1/8" or less , the minimum opening dimensions noted below must be adhered to when finishing around the unit. This is to ensure the removal of the faceplate and for the safe operation of this appliance.



Unit shown without faceplate for illustrative purposes only

NOTE: The Verona Glass Surround (not shown) opening needs to be 60-1/16" W x 28 5/8" H

### Important:

Determine the nailing strip position by determining the facing material being used.

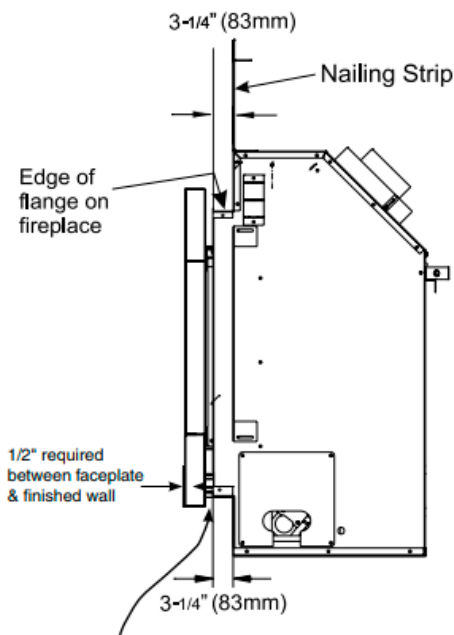
### Examples:

1/2" non-combustible wall board for clean finish = 2-5/8" adjustment.

1/2" non-combustible wall board + 1/2" tile = 1" of finished material = 2-1/8" adjustment.

### Note:

Depending on the material used for finishing, the nailing strips must be set accordingly so that the finished material is always at the 3-1/8" edge of the flange.



**IMPORTANT:** 1/2" gap is required between the faceplate and the finished wall when using 4 piece Faceplate (Part # 258-954, 258-957) or Verona Glass Surround (Part # 256-951, 256-957)

## Unit Assembly Prior To Installation

The Top Standoff/ Nailing Strip, side nailing strips and standoffs must be correctly positioned and attached to the unit before sliding the unit into position.

### Standoff Assembly

The top, side and rear standoffs are shipped in a flat position and must be folded into shape and attached - see diagram 1.

- 1) Remove the standoffs from the unit.
- 2) Take each standoff and bend into the correct shape. Bend up at the bend lines until the screw holes in the standoff and the pre-punched screw holes on the unit line up.

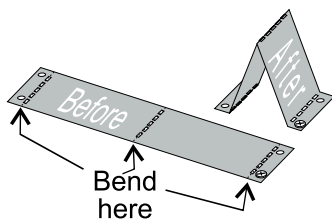
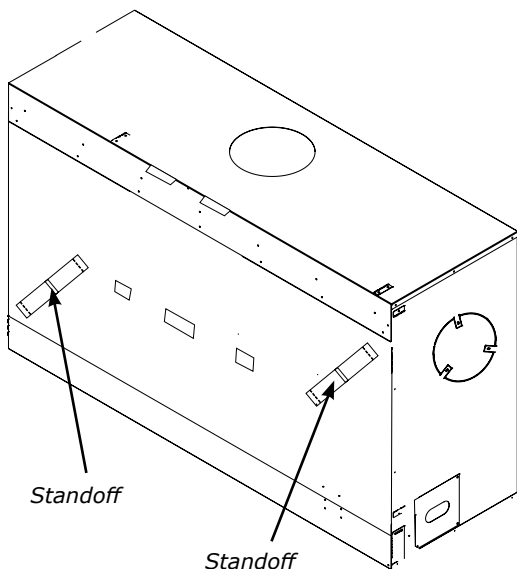


Diagram 1

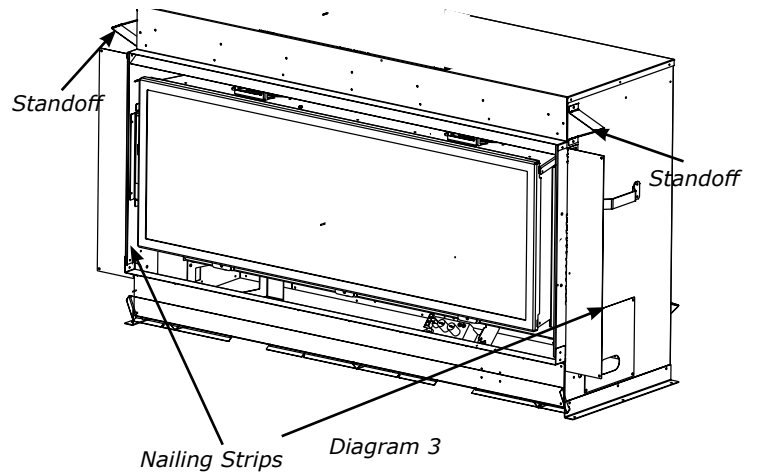


Remove screws to release standoffs

Diagram 2

### Nailing Strips

The nailing strips come attached to the unit. There is 1 plate on each side, that can be folded out as required. The side nailing strips are secured to the framing.



### IMPORTANT NOTE

Framing depth measurement is noted with the side nailing strips set as far forward on the firebox as possible. The nailing strips can be adjusted back up to 3-1/8" to allow for varying thicknesses in non-combustible material & wall finishes.

## Venting Introduction

The HZ54E uses the "balanced flue" technology Co Axial system. The inner liner vents products of combustion to the outside while the outer liner draws outside combustion air into the combustion chamber thereby eliminating the need to use heated room air for combustion and losing warm room air up the chimney.

**Note: These flue pipes must not be connected to any other appliance.**

The gas appliance and vent system must be vented directly to the outside of the building, and never be attached to a chimney serving a separate solid fuel or gas burning appliance. Each direct vent gas appliance must use it's own separate vent system. Common vent systems are prohibited.

# installation

## Framing Dimensions

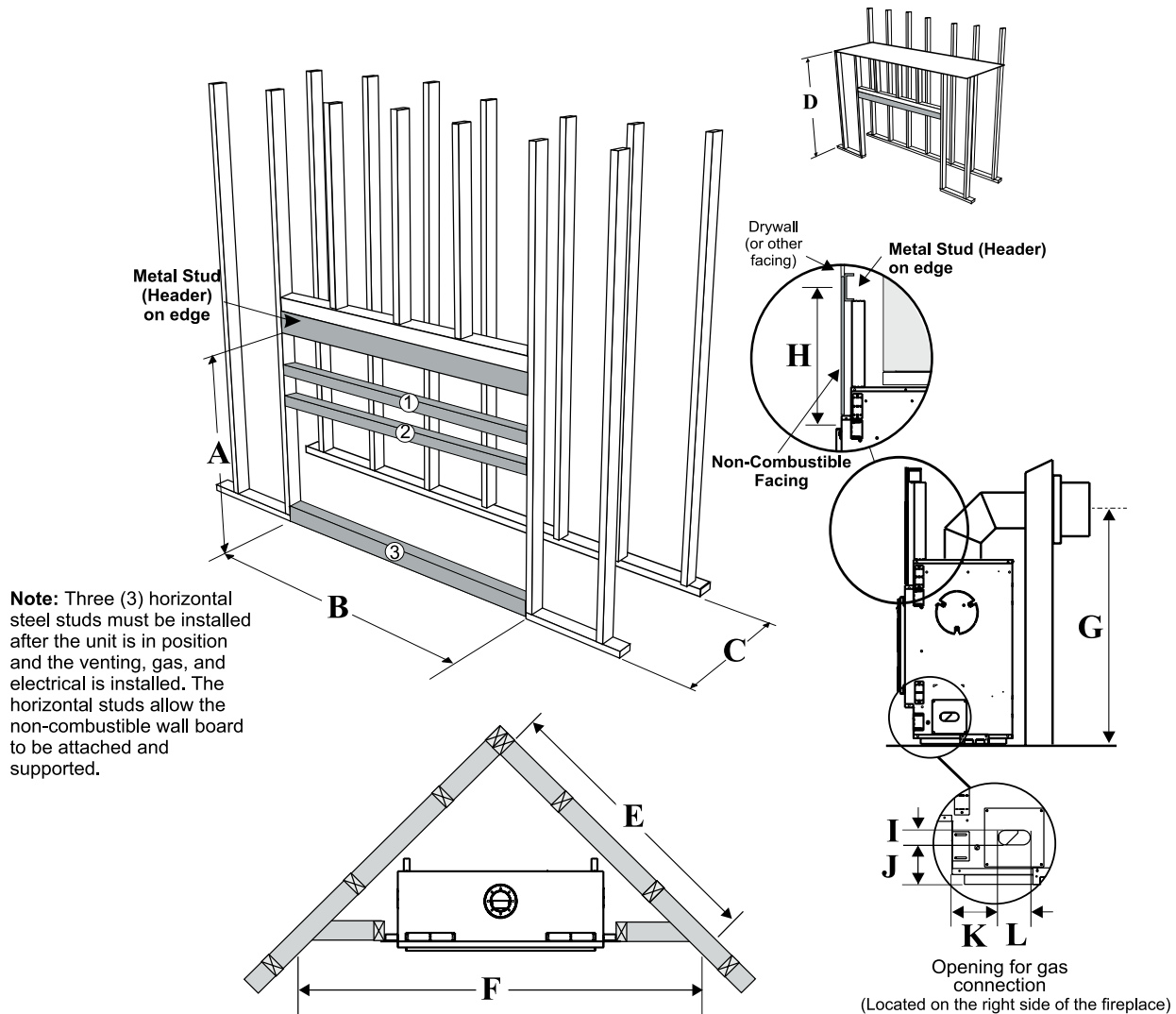
**NOTE:** If not purchasing the optional steel stud kit (Part # 478-900)- adhere to the same framing if purchasing steel studs elsewhere. The use of the optional kit is highly recommended as it was designed specifically for the product to facilitate ease of installation.

| Framing Dimensions | Description                    | HZ54E            |
|--------------------|--------------------------------|------------------|
| A                  | Framing Height                 | 46-5/8" (1184mm) |
| B                  | Framing Width                  | 60" (1524mm)     |
| C*                 | Framing Depth*                 | 23-3/4" (603mm)  |
| D                  | Minimum Height to Combustibles | 51" (1295mm)     |
| E                  | Corner Wall Depth              | 69" (1753mm)     |
| F                  | Corner Facing Wall Width       | 97-9/16 (2478mm) |
| G                  | Vent Centerline Height         | 44" (1118mm)     |
| H                  | Non-combustible facing height  | 20" (508mm)      |
| I                  | Gas Connection Opening Height  | 1-1/2" (38mm)    |
| J                  | Gas Connection Height          | 4" (102mm)       |
| K                  | Gas Connection Inset           | 7-1/4" (184mm)   |
| L                  | Gas Connection Opening Width   | 3-1/4" (83mm)    |

\* Framing depth measurement is noted with the side nailing strips set as far forward on the firebox as possible. The side nailing strips can be adjusted back up to 3-1/8" to allow for varying thicknesses in non-combustible material & wall finishes.

**Important:** The minimum framing dimensions given for height, width and depth must be maintained even if using non-combustible materials.

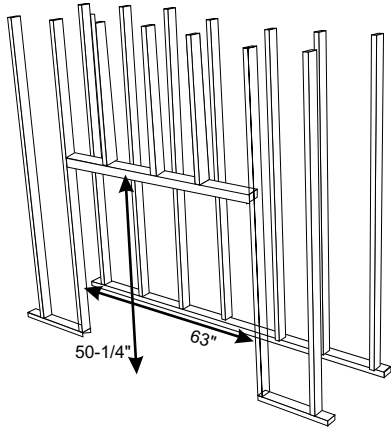
Dangerous operating conditions will occur if minimum framing dimensions are not adhered to.





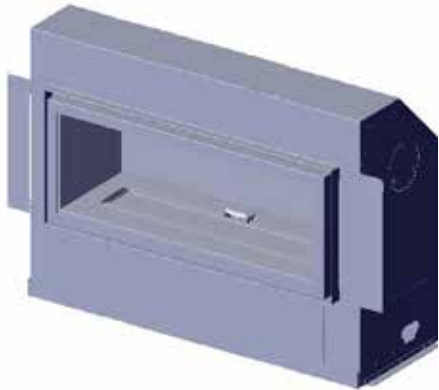
## Optional Framing Kit (Part # 478-900)

1. Construct the wood framing, ensure the inside dimensions are 63" W x 50-1/4" H



2. Bend both nailing strips from the sides of the appliance until positioned as shown below.

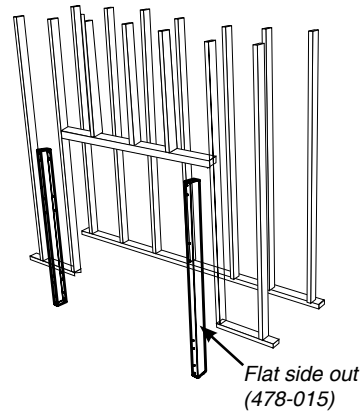
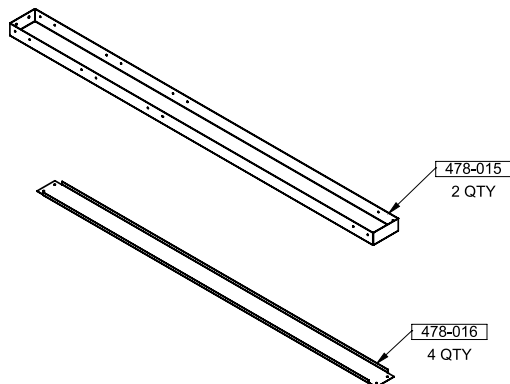
Determine the overall combined thickness of the non-combustible board + finished material being used. The nailing strips can be adjusted 3-1/8".



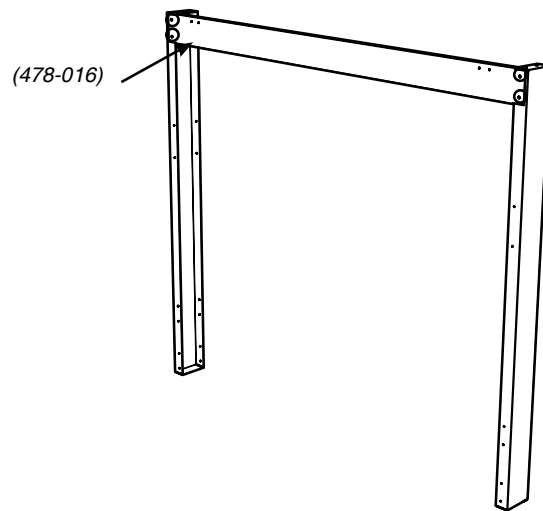
3. Adjust nailing strips by loosening 2 screws on each nailing strip - adjust and retighten the screws

4. Attach both vertical studs (478-015) and secure using 6 screws (2 at bottom, 2 at top and 2 on the sides) as shown

**NOTE:** Ensure the flat side of the steel stud is facing the wood framing.

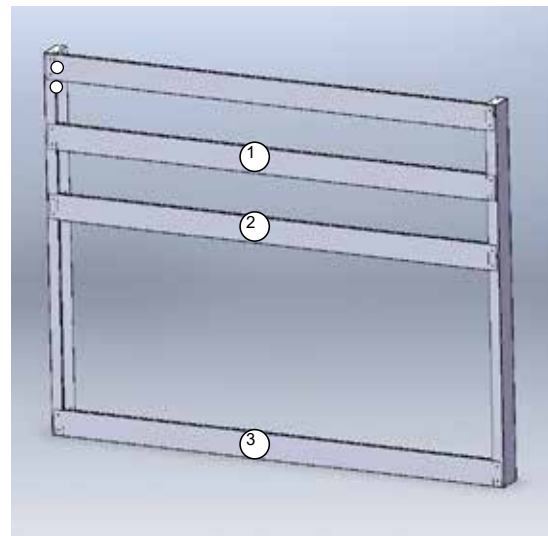


5. Secure horizontal steel header with 2 screws per diagram



6. Slide the unit in position. Hook up gas, venting and electrical and fan (if purchased) prior to installing the remaining horizontal steel studs.

7. Secure 3 horizontal steel studs (478-016) with 2 screws on each end. 2 at the top and one at the bottom as shown.



# installation

## Wall Mount On/Off Switch and Remote Receiver Installation Required for all installations - including Proflame remote controls

### IMPORTANT INSTALLATION NOTE:

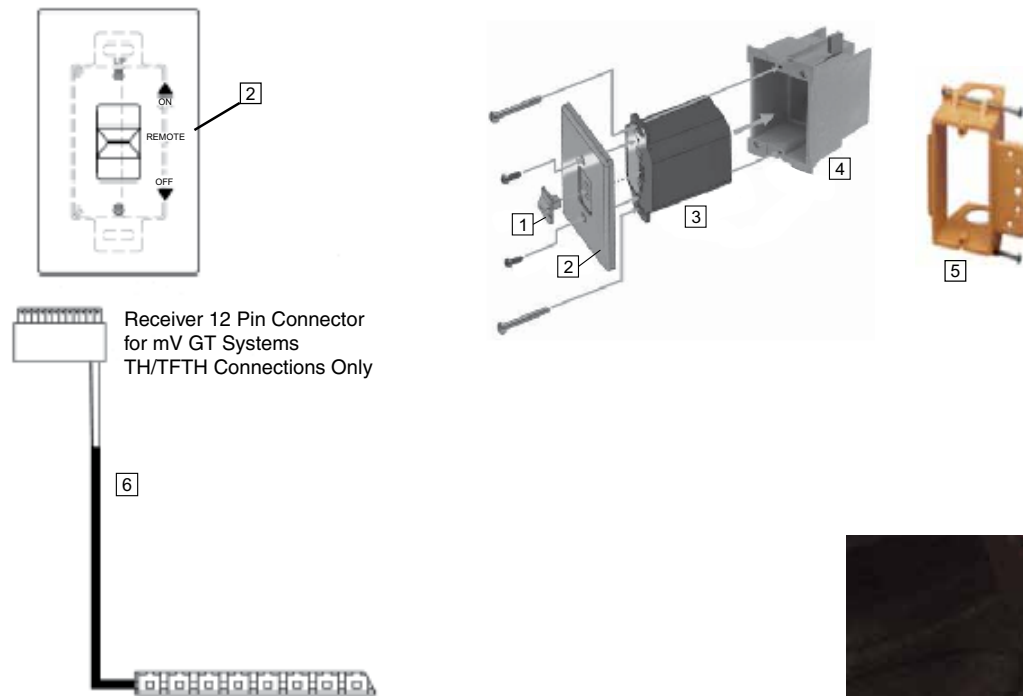
The Receiver must be placed inside the supplied (Low Voltage) junction type wall box and installed into the wall only.

**DO NOT INSTALL WITHIN THE CONFINES OF THE FIREPLACE.**

### Remote Receiver Installation

1. Install the low voltage junction box to the framing, at desired location within 9 ft. (2.7 meters) from fireplace.
2. Feed the 12 pin connector through the opening at back of junction box.
3. Connect the 12 pin connector to the back of the receiver.
4. Install the Receiver in the Low Voltage Junction box.
5. Insert the 4 AA type batteries in the battery compartment (only required if no fan control module or AC adaptor is installed).
6. Place the slider into the cover plate.
7. Put the Receiver switch in the "OFF" position, to allow correct lineup for slider switch.
8. Make sure the Receiver and cover plate words "ON" and "UP" are on the same side.
9. Align the slider with the switch on the Receiver and couple the switch into the slider.
10. Align the screw holes.
11. Using the two (2) screws provided secure the cover plate to the Receiver.

### Proflame Receiver



| Item | Part No.  | Description                              |
|------|-----------|--|
| 1    | N/A       | Slider Switch (included with wall plate) |
| 2    | 911-335   | Wall Plate - White                       |
|      | 911-343   | Wall Plate - Black                       |
| 3    | 911-338/P | Remote Receiver                          |
| 4    | N/A       | J-Box                                    |
| 5    | 910-369   | Low Voltage Junction Box                 |
| 6    | 911-032   | Remote Receiver Wire Harness             |

10 ft. wire harness with  
12 pin connector

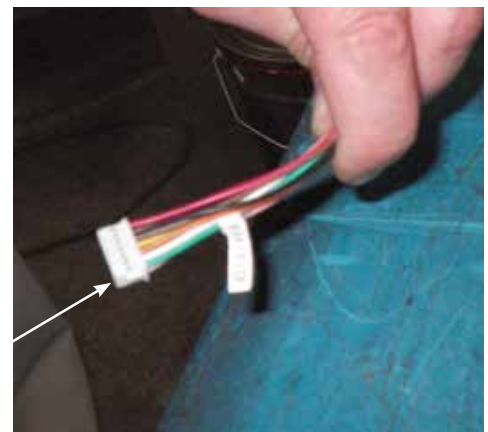


Diagram 1

## Vent Restrictor Position

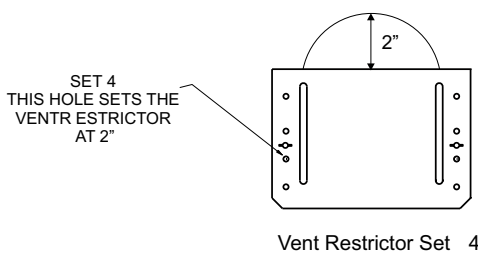
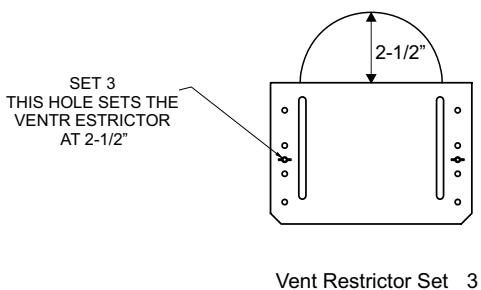
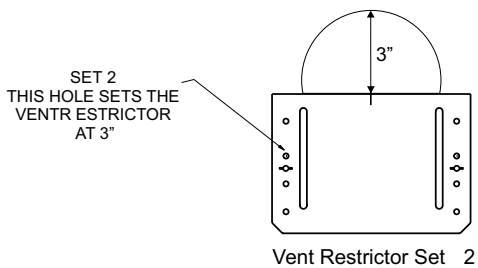
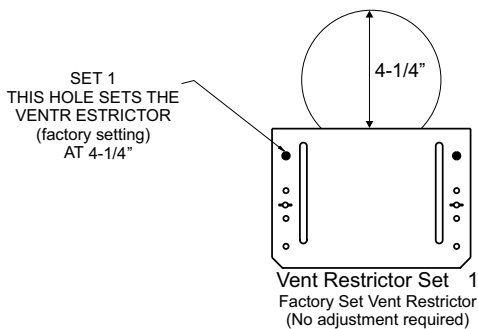
Vent restriction is required for certain venting installations, see the diagrams in the "Venting Arrangements" section to determine if they are required for your installation.

The Vent Restrictor plate is located on the inside top of the firebox.

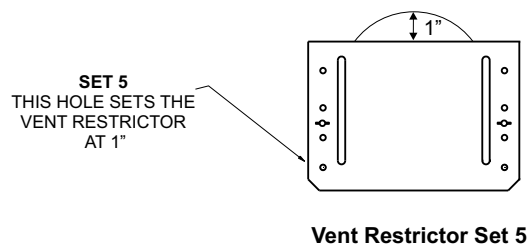
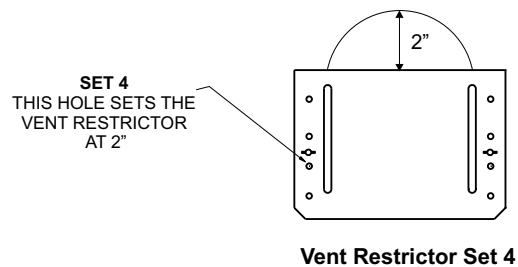
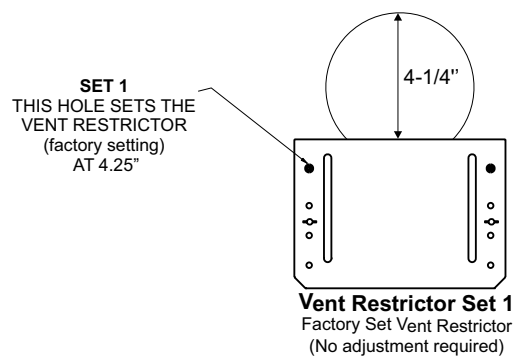
To set the vent restriction as indicated in the venting arrangements diagrams, refer to the following instructions;

- 1) Remove the glass door.
- 2) Remove the screws that hold the vent restrictor plate in place.
- 3) Adjust the vent restrictor plate to the required vent restrictor position as per the diagrams shown.
- 4) Once the vent restrictor plate is in the required position, secure with screws.

### Vent Restrictor Settings for HZ54E-NG

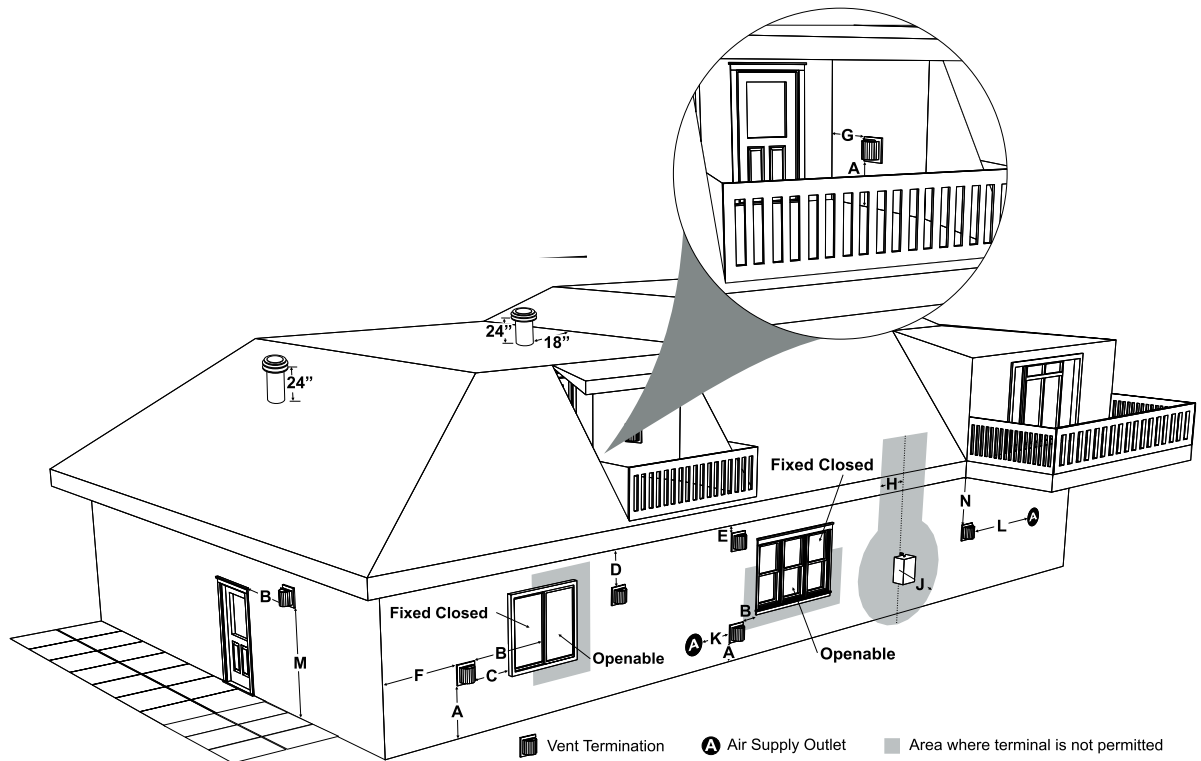


### Vent Restrictor Settings for HZ54E-LP



# installation

## Exterior Vent Termination Requirements



|          | Minimum Clearance Requirements  | Canada <sup>1</sup>    | USA <sup>2</sup>       |
|----------|---|------------------------|------------------------|
| <b>A</b> | Clearance above grade, veranda, porch, deck, or balcony   | 12"(30cm)              | 12"(30cm)              |
| <b>B</b> | Clearance to window or door that may be opened  | 12"(30cm)              | 9" (23cm)              |
| <b>C</b> | Clearance to permanently closed window  | *                      | *                      |
| <b>D</b> | Vertical clearance to ventilated soffit located above the terminal within a horizontal distance of 2 feet (61cm) from the center line of the terminal (check with the local code) | 24"(60cm)              | 24"(60cm)              |
| <b>E</b> | Clearance to unventilated soffit  | 24"(60cm)              | 24"(60cm)              |
| <b>F</b> | Clearance to outside corner: with <b>AstroCap</b> Termination Cap.  | 13"(33cm)              | 13"(33cm)              |
|          | Clearance to outside corner: with all other approved Termination Caps.  | 13"(33cm)              | 13"(33cm)              |
| <b>G</b> | Clearance to inside corner: with <b>AstroCap</b> Termination Cap  | 13"(33cm)              | 13"(33cm)              |
|          | Clearance to inside corner: with all other approved Termination Caps.   | 13"(33cm)              | 13"(33cm)              |
| <b>H</b> | Clearance to each side of center line extended above meter/regulator assembly   | 36"(90cm) <sup>a</sup> | *                      |
| <b>J</b> | Clearance to service regulator vent outlet  | 36"(90cm)              | *                      |
| <b>K</b> | Clearance to non-mechanical air supply inlet to building or the combustion air inlet to any other appliance   | 12"(30cm)              | 9" (23cm)              |
| <b>L</b> | Clearance to a mechanical air supply inlet  | 72"(1.8m)              | 36"(90cm) <sup>b</sup> |
| <b>M</b> | Clearance above paved sidewalk or a paved driveway located on public property   | 84"(2.1m) <sup>†</sup> | *                      |
| <b>N</b> | Clearance under veranda, porch, deck, or balcony  | 12"(30cm) <sup>‡</sup> | *                      |

<sup>1</sup> In accordance with current CSA B149.1, *Natural Gas and Propane Installation Code*

<sup>2</sup> In accordance with the current ANSI Z223.1/NFPA 54, *National Fuel Gas Code*

<sup>†</sup> A vent shall not terminate directly above a sidewalk or paved driveway which is located between two single family dwellings and serves both dwellings

<sup>‡</sup> Permitted only if veranda, porch, deck, or balcony is fully open on a minimum of two sides beneath the floor

\* Clearance in accordance with local installation codes and the requirements of the gas supplier

<sup>a</sup> 3 feet (91cm) within a height of 15 feet (4.5m) above the meter / regulator assembly

<sup>b</sup> 3 feet (91cm) above - if within 10 feet (3m) horizontally

## 5" x 8" Rigid Pipe Cross Reference Chart

Components from different Manufacturers may not be mixed. Not All Rigid Pipe components are available directly from FPI.

| Description                | Simpson Direct Vent Pro® | *Selkirk Direct Temp™ | *Metal-Fab™ Sure Seal | *ICC Excel Direct | *Olympia Ventis DV |
|----------------------------|--------------------------|-----------------------|-----------------------|-------------------|--------------------|
| 6" Pipe Length-Galvanized  | 58DVA-06                 | 5DT-6                 | 5D6                   | TC-5DL6           | VDV-0506           |
| 6" Pipe Length-Black       | 58DVA-06B                | 5DT-6B                | 5D6B                  | TC-5DL6B          | VDVB-0506          |
| 9" Pipe Length-Galvanized  | 58DVA-09                 | 5DT-9                 | N/A                   | TC-5DL9           | VDV-0509           |
| 9" Pipe Length-Black       | 58DVA-09B                | 5DT-9B                | N/A                   | TC-5DL9B          | VDVB-0509          |
| 12" Pipe Length-Galvanized | 58DVA-12                 | 5DT-12                | 5D12                  | TC-5DL1           | VDV-0512           |
| 12" Pipe Length-Black      | 58DVA-12B                | 5DT-12B               | 5D12B                 | TC-5DL1B          | VDVB-0512          |
| 18" Pipe Length-Galvanized | 58DVA-18                 | 5DT-18                | 5D18                  | TC-5DL18          | VDV-0518           |
| 18" Pipe Length-Black      | 58DVA-18B *              | 5DT-18B               | 5D18B                 | TC-5DL18B         | VDVB-0518          |
| 24" Pipe Length-Galvanized | 58DVA-24                 | 5DT-24                | 5D24                  | TC-5DL2           | VDV-0524           |
| 24" Pipe Length-Black      | 58DVA-24B                | 5DT-24B               | 5D24B                 | TC-4DL2B          | VDVB-0524          |
| 36" Pipe Length-Galvanized | 58DVA-36                 | 5DT-36                | 5D36                  | TC-5DL3           | VDV-0536           |
| 36" Pipe Length-Black      | 58DVA-36B                | 5DT-36B               | 5D36B                 | TC-5DL3B          | VDVB-0536          |
| 48" Pipe Length-Galvanized | 58DVA-48                 | 5DT-48                | 5D48                  | TC-5DL4           | N/A                |
| 48" Pipe Length-Black      | 58DVA-48B                | 5DT-48B               | 5D48B                 | TC-5DL4B          | N/A                |
| 60" Pipe Length-Galvanized | 58DVA-60                 | N/A                   | N/A                   | N/A               | N/A                |
| 60" Pipe Length-Black      | 58DVA-60B *              | N/A                   | N/A                   | N/A               | N/A                |

|                                       |                       |         |       |          |     |
|---------------------------------------|-----------------------|---------|-------|----------|-----|
| Adjustable Length 3"-10"-Galvanized   | N/A                   | N/A     | 5DAL  | TC-5DLT  | N/A |
| Adjustable Length 3"-10"-Black        | N/A                   | N/A     | 5DALB | TC-5DLTB | N/A |
| Adjustable Length 11"-14" -Galvanized | Disc. - See 58DV-08A  | 5DT-AJ  | N/A   | N/A      | N/A |
| Adjustable Length 11"-14" -Black      | Disc. - See 58DV-08B  | 5DT-AJB | N/A   | N/A      | N/A |
| Extension Pipe 17"-24" -Galvanized    | Disc. - See 58DV-16A  | N/A     | N/A   | N/A      | N/A |
| Extension Pipe 17"-24" -Black         | Disc. - See 58DV-16AB | N/A     | N/A   | N/A      | N/A |
| Adjustable Length 8-1/2"-Galvanized   | 58DVA-08A*            | N/A     | N/A   | N/A      | N/A |
| Adjustable Length 8-1/2"-Black        | 58DVA-08AB            | N/A     | N/A   | N/A      | N/A |
| Extension Pipe 16"-Galvanized         | 58DVA-16A *           | N/A     | N/A   | N/A      | N/A |

|                                      |                       |            |            |           |             |
|--------------------------------------|-----------------------|------------|------------|-----------|-------------|
| 45° Elbow-Galvanized                 | 58DVA-E45             | 5DT-EL45   | 5DT-EL45   | TE-5DE45  | VDV-EL0545  |
| 45° Elbow-Black                      | 58DVA-E45B            | 5DT-EL45B  | 5DT-EL45B  | TE-5DE45B | VDVB-EL0545 |
| 45° Elbow Swivel-Galvanized          | Disc. - See 58DVA-E45 | N/A        | N/A        | N/A       | N/A         |
| 45° Elbow Swivel-Black               | Disc.-See 58DVA-E45B  | N/A        | N/A        | N/A       | N/A         |
| 90° Elbow-Galvanized                 | 58DVA-E90             | 5DT-EL90S  | 5DT-EL90S  | TE-5DE90  | VDV-EL0590  |
| 90° Elbow-Black                      | 58DVA-E90B            | 5DT-EL90SB | 5DT-EL90SB | TE-5DE90B | VDV-EL0590  |
| 90° Elbow, Swivel-Galvanized         | Disc. - See 46DVA-E45 | N/A        | N/A        | N/A       | N/A         |
| 90° Elbow, Swivel-Black              | Disc. - See 46DVA-E45 | N/A        | N/A        | N/A       | N/A         |
| 90° Starter Elbow, Swivel-Galvanized | N/A                   | N/A        | N/A        | N/A       | N/A         |
| Adaptor*                             | N/A                   | N/A        | N/A        | N/A       | VDV-UAA05   |

|                                      |           |          |      |         |           |
|--------------------------------------|-----------|----------|------|---------|-----------|
| Ceiling Support                      | 58DVA-DC  | 5DT-CS   | 5DSP | TM-5RDS | VDV-CSR05 |
| Cathedral Support Box                | 58DVA-CS  | 5DT-CSS  | 5DRS | TM-5SS  | DV-CSS05  |
| Wall Support/Band                    | 58DVA-WS  | 5DT-WS/B | 5DWS | TM-5WS  | VDV-WS05  |
| Offset Support                       | 58DVA-ES* | 5DT-OS   | N/A  | TM-5OS  | N/A       |
| Wall Thimble-Black                   | 58DVA-WT  | 5DT-WT   | 5DWT | N/A     | VDV-WPT05 |
| Wall Thimble Support/Ceiling Support | 58DVA-DC* | N/A      | N/A  | N/A     | N/A       |
| Firestop Spacer                      | 58DVA-FS  | 5DT-FS   | 5DFS | TM-5LS  | VDV-FS05  |
| Trim Plate-Black                     | 58DAV-WFS | 5DT-TP   | 5DCP | TM-5TP  | VDV-WTC05 |

\* Not available from Regency

# installation

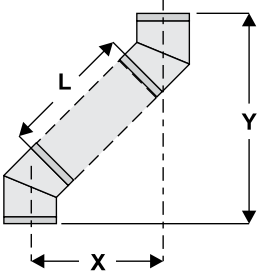
| Description                          | Simpson Direct Vent Pro® | *Selkirk Direct Temp™ | *Metal-Fab™ Sure Seal | *ICC Excel Direct | *Olympia Ventis DV |
|--------------------------------------|--------------------------|-----------------------|-----------------------|-------------------|--------------------|
| Attic Insulation Shield 12"          | 58DVA-IS*                | N/A                   | N/A                   | N/A               | VDV-AIS05          |
| Basic Horizontal Termination Kit (A) | N/A                      | 5DT-HKA               | N/A                   | TM-5HTK           | VDV-KW05           |
| Horizontal Termination Kit (B)       | 58DVA-KHA                | 5DT-HKB               | N/A                   | TM-5HTK           | VDV-K05            |
| Vertical Termination Kit             | 58DVA-VHA                | 5DT-VKC               | N/A                   | N/A               | N/A                |
| High Wind Vertical Cap               | 58DVA-VCH                | N/A                   | N/A                   | TM-5VT            | VDV-VCH05          |
| High Wind Horizontal Cap             | N/A                      | N/A                   | N/A                   | TM-5DHT           | N/A                |
| Horizontal Square Termination Cap    | N/A                      | 5DT-HHC               | 5DHT                  | TM-5HT            | VDV-HC05           |
| Vertical Termination Cap             | N/A                      | 5DT-HVC               | 5DVT                  | N/A               | N/A                |
| Storm Collar                         | 58DVA-SC                 | 5DT-SC                | 5DSC                  | TM-SC             | VDV-SC05           |
| Adjustable Flashing 0/12-6/12        | 58DVA-F6                 | 5DT-AF6               | 5DF                   | TF-5FA            | VDV-F0506          |
| Adjustable Flashing 6/12-12/12       | 58DVA-F12                | 5DT-AF12              | 5DF1-2                | TF-5FB            | VDV-F0512          |
| Vinyl Siding Standoff                | 58DVA-VSS                | 5DT-VS                | 5DVS                  | TM-VSS            | VDV-SSO            |
| Vinyl Siding Shield Plate            | N/A                      | 5DT-VSP               | N/A                   | N/A               | N/A                |
| Snorkel Termination 14"              | 58DVA-SNK14              | N/A                   | N/A                   | TM-5ST14          | N/A                |
| Snorkel Termination 36"              | 58DVA-SNK36*             | N/A                   | N/A                   | TM-5ST36          | N/A                |
| Restrictor Disk                      | N/A                      | N/A                   | N/A                   | N/A               | N/A                |
| Colinear Flex Connectors             | N/A                      | N/A                   | N/A                   | N/A               | N/A                |

\* Not available from Regency

| FPI       |  |           |                                     |
|-----------|--|-----------|-------------------------------------|
| 946-604/P | Simpson Direct Vent or Astro Cap -Vent Guard (Optional)              | 946-623/P | AstroCap XL Horizontal Cap          |
| 770-994   | Rigid Pipe Adaptor (Must use with all rigid piping)                  |           |                                     |
| **946-606 | Starter collar reducer 5" x 8" to 4" x 6-5/8" (B36XTE, B36XTCE ONLY) | 946-625   | Vinyl Siding Standoff - AstroCap XL |

**Note:** When using Metal-Fab Sure Seal Rigid Piping - please note that the Adaptor (5DDA) must be used in conjunction with FPI Rigid Pipe Adaptor (770-994).

| Offset Pipe Selection: Use this table to determine offset pipe lengths. |                   |                   |
|---|-------------------|-------------------|
| Pipe Length (L)   | 5" x 8" Venting   |                   |
|   | Run (X)           | Rise (Y)          |
| 0" (0mm)  | 5-11/16" (144mm)  | 15-5/16" (389mm)  |
| 6" (152mm)  | 8-13/16" (224mm)  | 18-7/16" (468mm)  |
| 9" (229mm)  | 10-15/16" (278mm) | 20-9/16" (522mm)  |
| 12" (305mm)   | 13" (330mm)       | 22-11/16" (576mm) |
| 24" (610mm)   | 21-7/16" (697mm)  | 31-1/16" (789mm)  |
| 36" (914mm)   | 29-13/16" (757mm) | 39-7/16" (1002mm) |
| 48" (1219mm)  | 38-1/4" (972mm)   | 47-7/8" (1216mm)  |



For specific instructions on venting components - visit the manufacturers website listed below.

Simpson Direct Vent Pro: [www.duravent.com](http://www.duravent.com)

Selkirk Direct-Temp: [www.selkirkcorp.com](http://www.selkirkcorp.com)

Metal-Fab Sure Seal: [www.mtlfab.com](http://www.mtlfab.com)

Industrial Chimney Company: [www.icc-rsf.com](http://www.icc-rsf.com)

Olympia Ventis DV: [www.olympiachimney.com](http://www.olympiachimney.com)

**Note:** Horizontal runs of vent must be level, or have a 1/4" rise for every 1 foot of run towards the termination. Never allow the vent to run downward - this could cause high temperatures and may present a possible fire hazard.

## Rigid Pipe Venting Systems - Basic Horizontal & Vertical Terminations

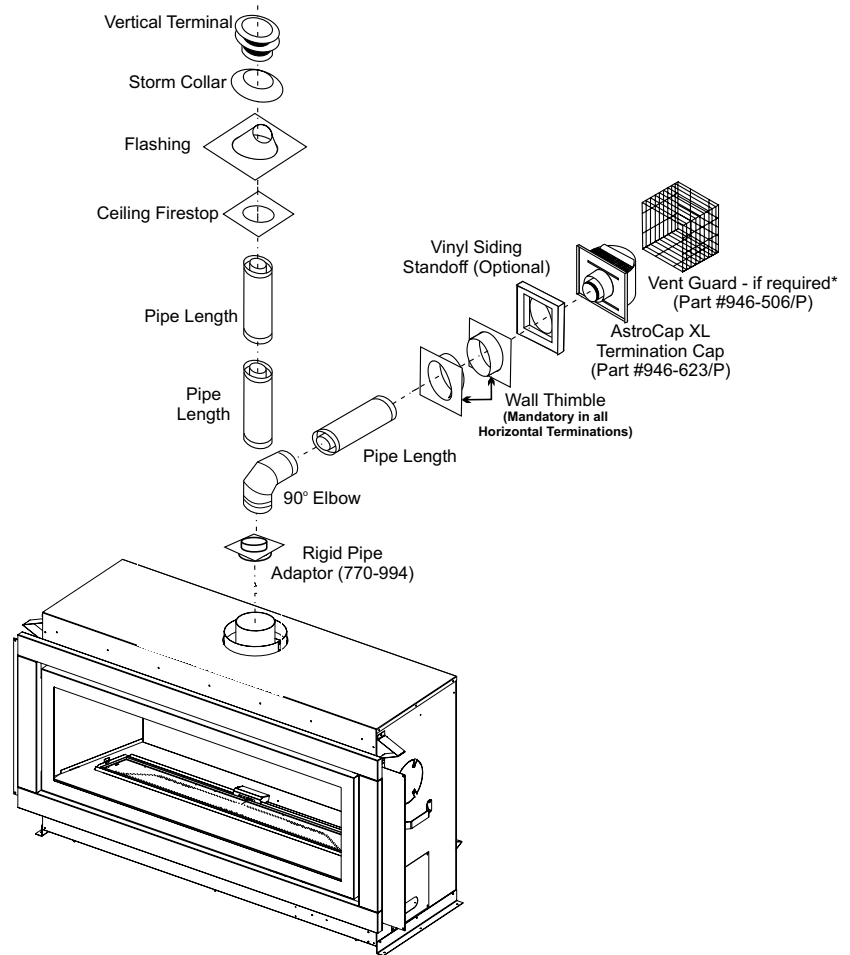
Rigid Pipe Vent Systems offer a complete line of component parts for installation of both horizontal and vertical installations. Many items are offered in decorative black, as well as galvanized finish.

### The minimum components required for a basic Horizontal Termination are:

- 1 AstroCap XL Termination Cap
- 1 90° Elbow
- 1 Rigid Pipe Adaptor
- 1 Wall Thimble
- 1 Length of rigid pipe to suit wall thickness

### The minimum components required for a basic Vertical Termination are:

- 1 Vertical Termination Cap
- 1 Rigid Pipe Adaptor
- 1 Lengths of pipe to adequately penetrate roof
- 1 Ceiling Firestop
- 1 Flashing
- 1 Storm Collar



Wall thickness is measured from the back standoffs to the inside mounting surface of termination cap. For siding other than vinyl, furring strips may be used, instead of a vinyl siding standoff, to create a level surface to mount the vent terminal. The Terminal must not be recessed into siding. Measure the wall thickness including furring strips.

If a Vinyl Siding Standoff is required (it must be used with vinyl siding), measure to outside surface of wall without siding and add 2 inches.

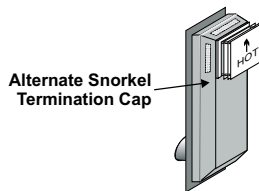
### WARNING:

Do not combine venting components from different venting systems.

Exception: However, use of the AstroCap XL™ termination cap is acceptable with all systems.

This product has been evaluated by Intertek for using a Rigid Pipe Adaptor in conjunction with Simpson DV Pro, Metal-Fab Sure-Seal, ICC Excel and Selkirk Direct-Temp systems. Use of these systems with the Rigid Pipe adaptor is deemed acceptable and does not affect the Warnock Hersey/Intertek listing of components.

### Alternate Horizontal Termination Caps



When using Rigid Vent other than Simpson Dura-Vent, 3 screws must be used to secure rigid pipe to adaptor.

The FPI AstroCap XL™ is certified for installations using FPI venting systems as well as Simpson Dura-Vent® Direct Vent Pro, ICC Excel and Selkirk Direct-Temp. AstroCap XL™ is a proprietary trademark of FPI Fireplace Products International Ltd. Dura-Vent® and Direct Vent are registered and/or proprietary trademarks of Simpson Dura-Vent Co. Inc.

# installation

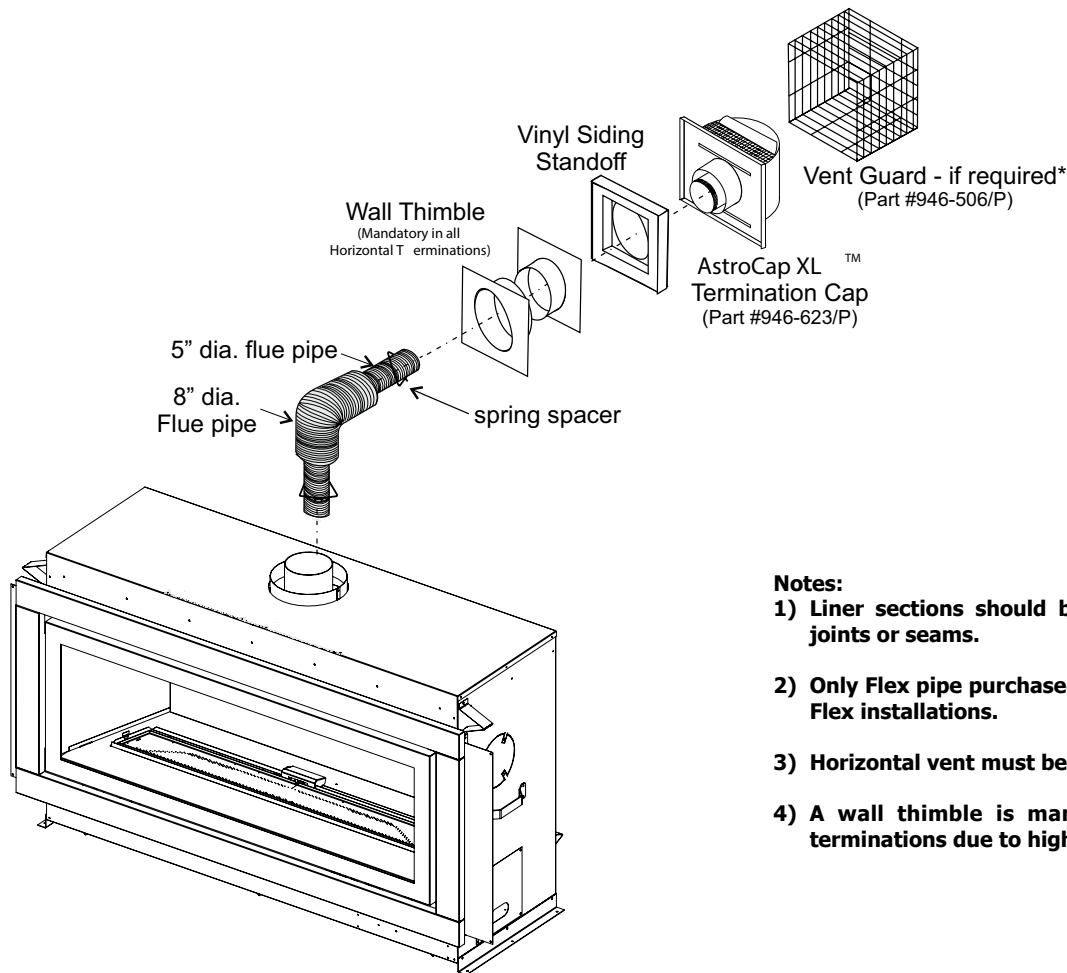
## Venting Arrangements-Horizontal Termination (Flex)

### Regency® Direct Vent System

These venting systems, in combination with the HZ54E, have been tested and listed as a direct vent system by Warnock Hersey/Intertek. The location of the termination cap must conform to the requirements in the Vent Terminal Locations diagram from the "Exterior Vent Termination Locations" section.

**FPI Direct Vent (Flex) System Termination Kits include all the parts needed to install the HZ54E using a flexible vent.**

| FPI Kit # | Length  | Contains:  |
|-----------|---------|--|
| #946-615  | 4 Feet  | 1) 8" flexible liner (Kit length)<br>2) 5" flexible liner (Kit length)   |
| #946-618  | 6 Feet  | 3) spring spacers<br>4) thimble<br>5) <b>AstroCap</b> termination cap<br>6) screws                             |
| #946-616  | 10 Feet | 7) tube of Mill Pac<br>8) plated screws<br>9) S.S. screws #8 x 1-1/2" drill point<br>10) vinyl siding standoff |



#### Notes:

- 1) Liner sections should be continuous without any joints or seams.
- 2) Only Flex pipe purchased from FPI may be used for Flex installations.
- 3) Horizontal vent must be supported every 3 feet.
- 4) A wall thimble is mandatory for all horizontal terminations due to high temperatures.



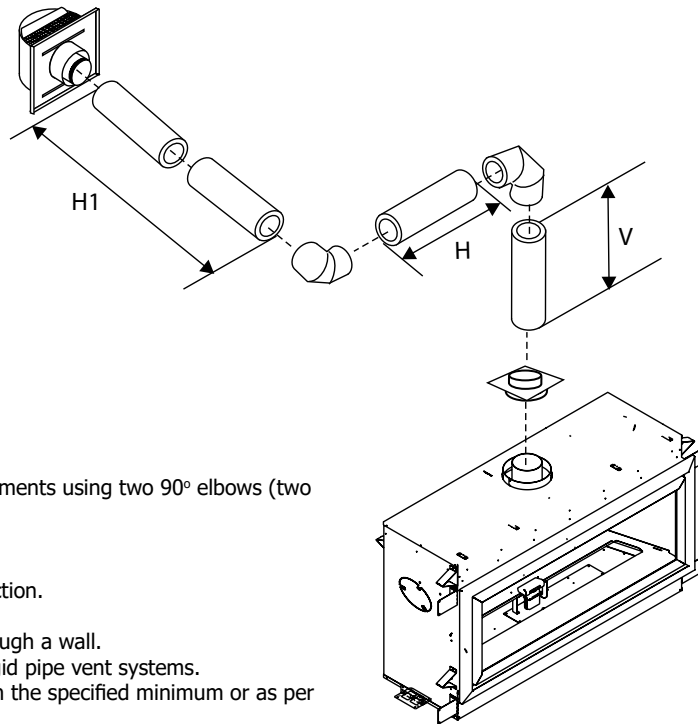
**Horizontal Venting (Rigid/Flex) with Two (2) 90° Elbows - NG and LP**

**One 90° elbow = Two 45° elbows.**

| Option | V       | H + H1   |  |
|--------|---------|----------|--|
| A)     | 2' Min. | 4' Max.  | With these options, maximum total pipe length is 30 feet with minimum of 6 feet total vertical and maximum 10 feet total horizontal. |
| B)     | 3' Min. | 6' Max.  |  |
| C)     | 4' Min. | 8' Max.  |  |
| D)     | 5' Min. | 9' Max.  |  |
| E)     | 6' Min. | 10' Max. |  |

**Please note minimum 1 foot between 90° elbows is required.**

**VENT RESTRICTOR SETTING:**  
Vent restrictor factory set at Set 1, no adjustment required.



The diagrams below show examples of horizontal termination arrangements using two 90° elbows (two 45° elbows equal one 90° elbow).

1. A maximum of two 90° elbows are permitted.
2. Minimum distance between elbows is 1 ft. (305mm).
  - Maintain clearances to combustibles as listed in the "Clearances" section.
  - Horizontal vent must be supported every 3 feet.
  - Firestops are required at each floor level and whenever passing through a wall.
  - Must use optional rigid pipe adaptor (Part# 770-994) when using rigid pipe vent systems.
  - A vent guard should be used whenever the termination is lower than the specified minimum or as per local codes.
  - Flex system can only be used up to 10 feet - otherwise rigid venting must be used.

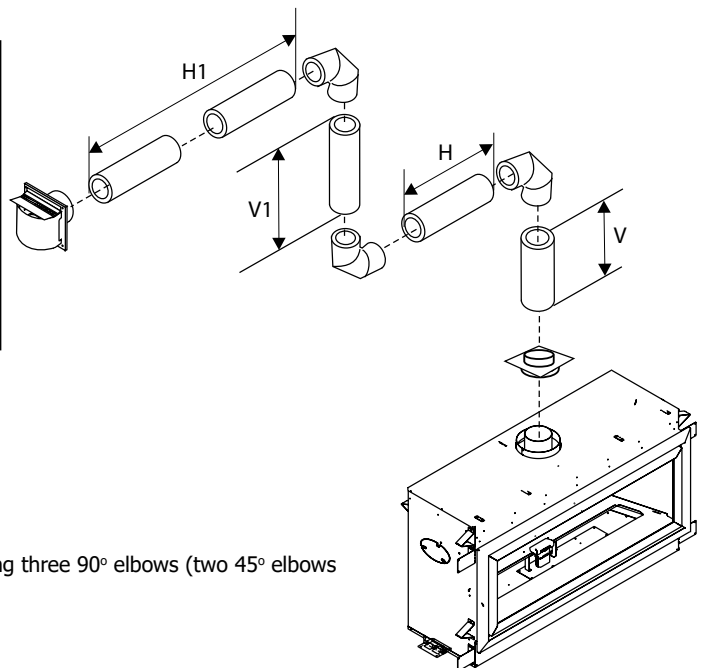
**Horizontal Rigid/Flex Venting with Three (3) 90° Elbows - NG and LP**

**One 90° elbow = Two 45° elbows.**

| Option | V       | H       | V + V1   | H + H1  |   |
|--------|---------|---------|----------|---------|---|
| A)     | 2' Min. | 1' Max. | 3' Min.  | 2' Max. | With these options, max. total pipe length is 30 feet with min. of 11 feet total vertical and max. 9 feet total horizontal. |
| B)     | 2' Min. | 2' Max. | 5' Min.  | 4' Max. |   |
| C)     | 3' Min. | 2' Max. | 7' Min.  | 5' Max. |   |
| D)     | 4' Min. | 3' Max. | 9' Min.  | 6' Max. |   |
| E)     | 5' Min. | 4' Max. | 10' Min. | 7' Max. |   |
| F)     | 6' Min. | 6' Max. | 11' Min. | 9' Max. |   |

**Please note min. 1 foot between 90° elbows is required.**

**VENT RESTRICTOR SETTING:**  
Vent restrictor factory set at Set 1, no adjustment required.



The diagrams below show examples of horizontal termination arrangements using three 90° elbows (two 45° elbows equal one 90° elbow).

1. A maximum of three 90° elbows are permitted.
2. Minimum distance between elbows is 1 ft. (305mm).
  - Maintain clearances to combustibles as listed in the "Clearances" section.
  - Horizontal vent must be supported every 3 feet.
  - Firestops are required at each floor level and whenever passing through a wall.
  - Must use optional rigid pipe adaptor (Part# 770-994) when using rigid pipe vent systems.
  - A vent guard should be used whenever the termination is lower than the specified minimum or as per local codes.
  - Flex system can only be used up to 10 feet - otherwise rigid venting must be used.

# installation

## Venting Arrangements (Rigid/Flex) - Allowable Horizontal Terminations for HZ54E-NG

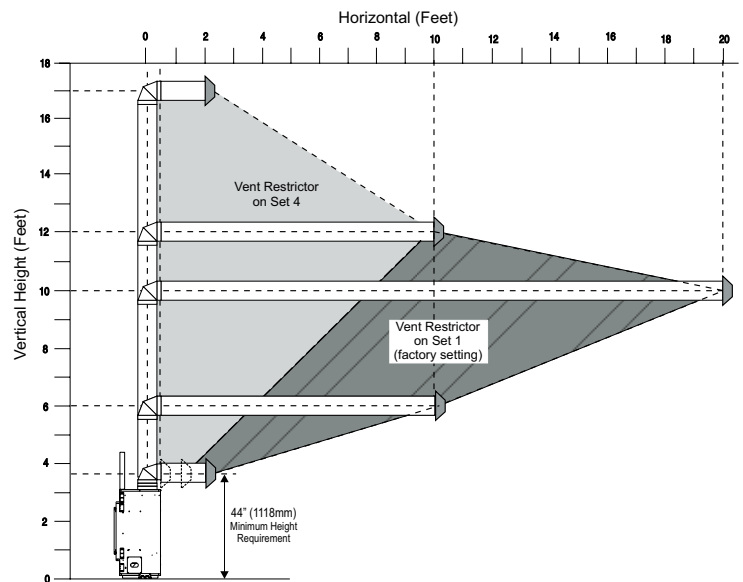
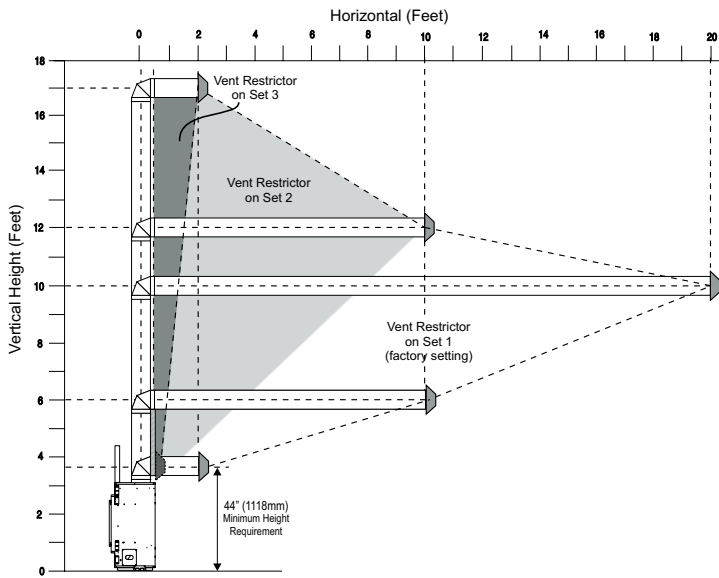
The diagram shows all allowable combinations of vertical runs with horizontal terminations, using one 90° (two 45° elbows equal one 90° elbow).

**Note: Must use optional rigid pipe adapter (Part# 770-994) when using Rigid Pipe Venting Systems.**

## Venting Arrangements (Rigid/Flex) - Allowable Horizontal Terminations for HZ54E-LP

The diagram shows all allowable combinations of vertical runs with horizontal terminations, using one 90° (two 45° elbows equal one 90° elbow).

**Note: Must use optional rigid pipe adapter (Part# 770-994) when using Rigid Pipe Venting Systems.**



### **VENT RESTRICTOR SETTING:**

**Vent restrictor factory set, no adjustment required unless otherwise indicated.**

Refer to the "Vent Restrictor Position" section for details on how to change the vent restrictor from the factory setting of Set 1 to Set 2 or Set 3 if required.

### **VENT RESTRICTOR SETTING:**

**Vent restrictor factory set, no adjustment required unless otherwise indicated.**

Refer to the "Vent Restrictor Position" section for details on how to change the vent restrictor from the factory setting of Set 1 to Set 4 if required.

**Note: Regency® Direct Vent System (Flex) is only approved for horizontal terminations.**

**Note: Regency® Direct Vent System (Flex) is only approved for horizontal terminations.**

- **Maintain clearances to combustibles as listed in "Clearances" section**
- **Horizontal vent must be supported every 3 feet.**
- **Firestops are required at each floor level and whenever passing through a wall.**
- **A wall thimble is mandatory for all horizontal terminations due to high temperatures.**

- **Maintain clearances to combustibles as listed in "Clearances" section**
- **Horizontal vent must be supported every 3 feet.**
- **Firestops are required at each floor level and whenever passing through a wall.**
- **A wall thimble is mandatory for all horizontal terminations due to high temperatures.**

For horizontal terminations, the Regency direct vent flex system may be used for installations with a maximum continuous vent length of up to 10 feet. If longer runs are required, rigid pipe must be used.

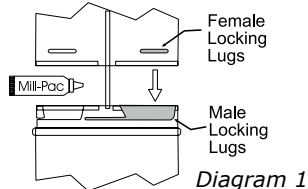
For horizontal terminations, the Regency direct vent flex system may be used for installations with a maximum continuous vent length of up to 10 feet. If longer runs are required, rigid pipe must be used.

## Unit Installation with Horizontal Termination (Rigid Vent Systems)

A top clearance of 3"(76mm) and side & bottom clearance of 2"(51mm) must be maintained; except when passing through a wall, ceiling, or at the termination where the use of a firestop or wall thimble reduces the required clearance to 1-1/2" (38mm). We recommend framing a 11"(279mm) x 11"(279mm) (inside dimensions) hole to give structural rigidity for mounting the termination.

Install the vent system according to the manufacturer's instructions included with the components.

- 1) Set the unit in its desired location. Check to determine if wall studs or roof rafters are in the way when the venting system is attached. If this is the case, you may want to adjust the location of the unit. Rough in the gas preferably on the right side of the unit.
- 2) Direct Vent pipe and fittings are designed with special twist-lock connections to connect the venting system to the appliance flue outlet. A twist-lock appliance adaptor is required.
- 3) In conjunction with the Simpson Direct Vent Pro system, install the adaptor after the unit is set in its desired location. Put a bead of Mill-Pac inside the outer section of the adaptor and on the inner collar. Slip the adaptor over the existing inner and outer flue collar. Fasten to the outer collar only with the 3 supplied screws (drilling pilot holes will make this easier).
- 4) Level the fireplace and fasten it to the framing using nails or screws through the top and side nailing strips.
- 5) Assemble the desired combination of pipe and elbows to the appliance adaptor and twist-lock for a solid connection.



**Note:** For best results and optimum performance with each approved venting system, it is highly recommended to apply "Mill-Pac" sealant (supplied) to every inner pipe connection. Failure to do so may result in drafting or performance issues not covered under warranty.

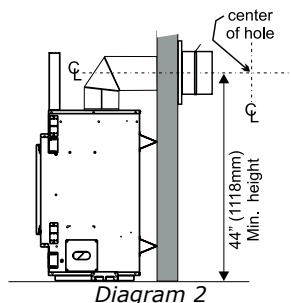
Horizontal runs of vent must be supported every 3 feet (0.9 meters). Wall straps are available for this purpose.

- 6) Mark the wall for a 11" x 11" (279mm x 279mm) square hole. The center of the square hole should line up with the center-line of the horizontal pipe. Cut and frame the 11 inch (279mm) square hole in the exterior wall where the vent will be terminated. See diagram 2 for center line requirements.

If the wall being penetrated is constructed of non-combustible material, i.e. masonry block or concrete, an 8" (203mm) diameter hole is acceptable.

### Note:

- a) The horizontal run of vent must be level, or have a 1/4 inch rise for every 1 foot of run towards the termination. Never allow the vent to run downward. This could cause high temperatures and may present the possibility of a fire.
- b) The location of the horizontal vent termination on an exterior wall must meet all local and national building codes, and must not be blocked or obstructed. See "Exterior Vent Termination Locations" section for more details.



### c) Snorkel Terminations:

For installations requiring a vertical rise on the exterior of the building, 14-inch and 36-inch tall Snorkel Terminations are available, as well as the standard Riser Vent. Follow the same installation procedures as used for standard Horizontal Termination. NEVER install the snorkel upside down.

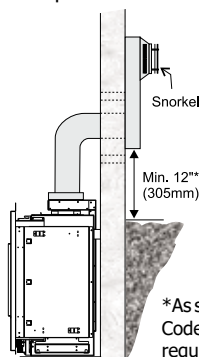


Diagram 3

\*As specified in CSA B149.1 Installation Code. Local codes or regulations may require different clearances.

### Below Grade Snorkel Installation

If the snorkel termination must be installed below grade, i.e. basement application, proper drainage must be provided to prevent water from entering the snorkel termination. See diagram 4. Do not attempt to enclose the snorkel within the wall or any other type of enclosure.

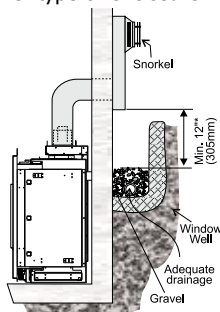


Diagram 4

- 7) Ensure that the pipe clearances to combustible materials are maintained (Diagram 5). Install the termination cap.

**Note:** When installing a appliance where the exterior of the house will be or is sided with vinyl siding, a vinyl siding standoff or furring strips must be used to ensure that the termination cap is not recessed into the siding. If there is no siding installed - install the vinyl siding standoff or furring strips to the exterior of the home where the termination cap is to be installed. Install the cap on the vinyl siding standoff or furring strips. J-channel can then be installed around the vinyl siding standoff, then the siding can be installed. If vinyl siding is already installed - line up the vinyl siding standoff or furring strips on the vinyl siding where the termination cap is to be installed, trace out the vinyl siding standoff or furring strips, then cut out and remove the vinyl. Install the standoff to the exterior of the home. Install the termination cap on the vinyl siding standoff or furring strips.

The four wood screws provided should be replaced with appropriate fasteners for stucco, brick, concrete, or other types of sidings.

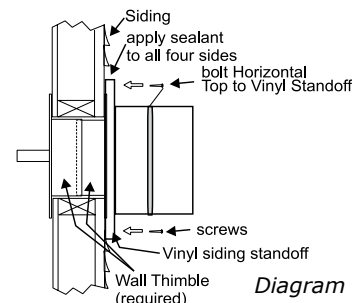


Diagram 5

- 8) Before connecting the horizontal run of vent pipe to the vent termination, slide the Wall Thimble over the vent pipe. The wall thimble is required for all horizontal terminations.
- 9) Slide the appliance and vent assembly towards the wall carefully inserting the vent pipe into the vent cap assembly. It is important that the vent pipe extends into the vent cap sufficient distance so as to result in a minimum pipe overlap of 1-1/4 inches (32mm). Secure the connection between the vent pipe and the vent cap.
- 10) Install wall thimble in the center of the 11" (279mm) square and attach with wood screws (Diagram 6).

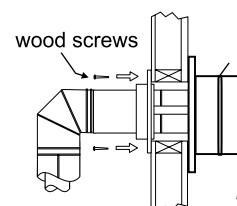


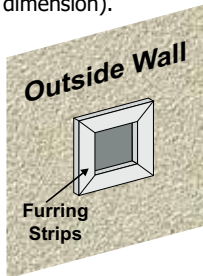
Diagram 6

# installation

## Unit Installation - Horizontal Termination with Flex Vent System

**Note:** A top clearance of 3" (76mm) and side & bottom clearance of 2" (51mm) must be maintained; except when passing through a wall, ceiling, or at the termination where the use of a firestop or wall thimble reduces the required clearance to 1-1/2" (38mm). We recommend framing a 11" (279mm) x 11" (279mm) (inside dimensions) hole to give structural rigidity for mounting the termination.

- 1) Locate the unit in the framing, rough in the gas (preferably on the right side of the unit). Locate the centerline of the termination and mark wall accordingly. Cut an 11" (279mm) hole in the wall (inside dimension).



**Note:** When installing an appliance where the exterior of the house will be or is sided with vinyl siding, a vinyl siding standoff or furring strips must be used to ensure that the termination cap is not recessed into the siding. If there is no siding installed - install the vinyl siding standoff or furring strips to the exterior of the home where the termination cap is to be installed. Install the cap on the vinyl siding standoff or furring strips. J-channel can then be installed around the vinyl siding standoff, then the siding can be installed. If vinyl siding is already installed - line up the vinyl siding standoff or furring strips on the vinyl siding where the termination cap is to be installed, trace out the vinyl siding standoff or furring strips, then cut out and remove the vinyl. Install the standoff to the exterior of the home. Install the termination cap on the vinyl siding standoff or furring strips.

- 2) Level the fireplace and fasten it to the framing using nails or screws through the nailing strips.
- 3) Assemble the vent assembly by applying Mill Pac to the 5" (127mm) inner collar of the

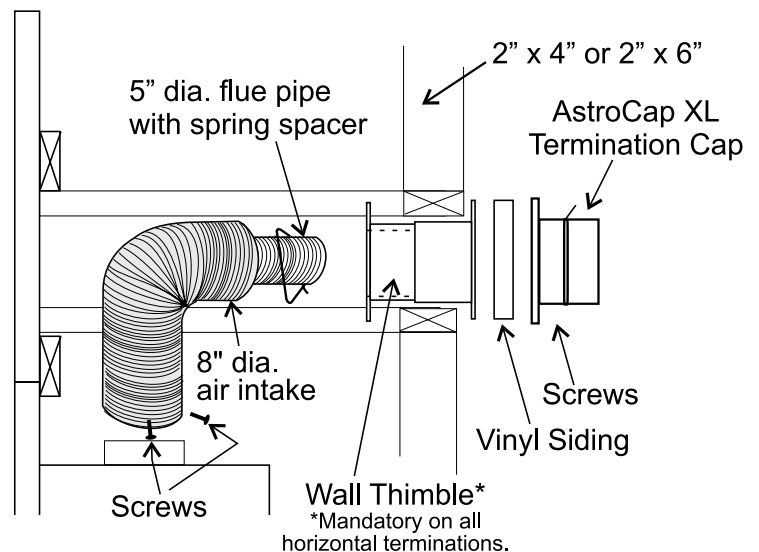
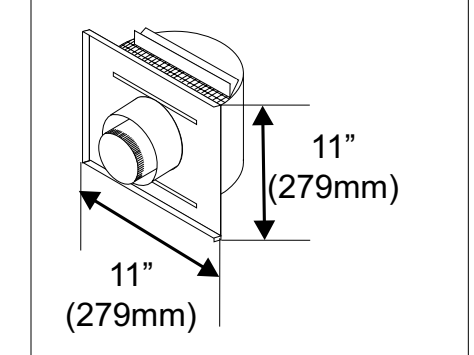
termination and slipping the 5" (127mm) liner over it at least 1-3/8" (35mm). Fasten with the 3 screws (drilling pilot holes will make this easier). Apply Mill-Pac to the 8" (203mm) flex pipe and slip it over the 8" outer collar of the vent terminal at least 1-3/8" (35mm) and fasten with the 3 screws.

**NOTE:** Horizontal sections must be supported at intervals not exceeding 3 feet (0.9 meter). (Flame picture and performance will be affected by sags in the liner).

- 4) Separate the 2 halves of the wall thimble and securely fasten the one with the tabs to the outside wall making sure that the tabs are on top and bottom. Fasten the other thimble half to the inside wall. The thimble halves slip inside each other and can be adjusted for 2 x 4 or 2 x 6 walls.
- 5) Slip the assembled liner and termination assembly through the thimble making sure the termination cap faces up (there are markings on the cap that show which way is up). This will position the termination cap with proper down slope for draining water. Fasten the cap to the outer wall with the 4 supplied screws.
- 6) Pull the centre 5" (127mm) liner and outer 8" (203mm) liner out enough to slip over the flue collars of the fireplace. (You may wish to cut the liner shorter to make it more workable.) Do not bend liner more than 90°. **The liners must slip over the collars a minimum of 1-3/8".**
- 7) Apply Mill Pac over the fireplace inner collar and slip the 5" (127mm) liner down over it and attach with 3 supplied screws.
- 8) Do the same with the 8" (203mm) liner.
- 9) Apply a bead of silicone between the thimble and termination and around the outer edge of the terminal at the wall in order to keep the water out.

**IMPORTANT:** Do not locate termination hood where excessive snow or ice buildup may occur. Be sure to check vent termination area after snow falls, and clear to prevent accidental blockage of venting system. When using snow blowers, make sure snow is not directed towards vent termination area.

### AstroCap XL Dimensions (946-623/P)



**Vertical Venting (Rigid/Flex) with Three (3) 90° Elbows - NG and LP**

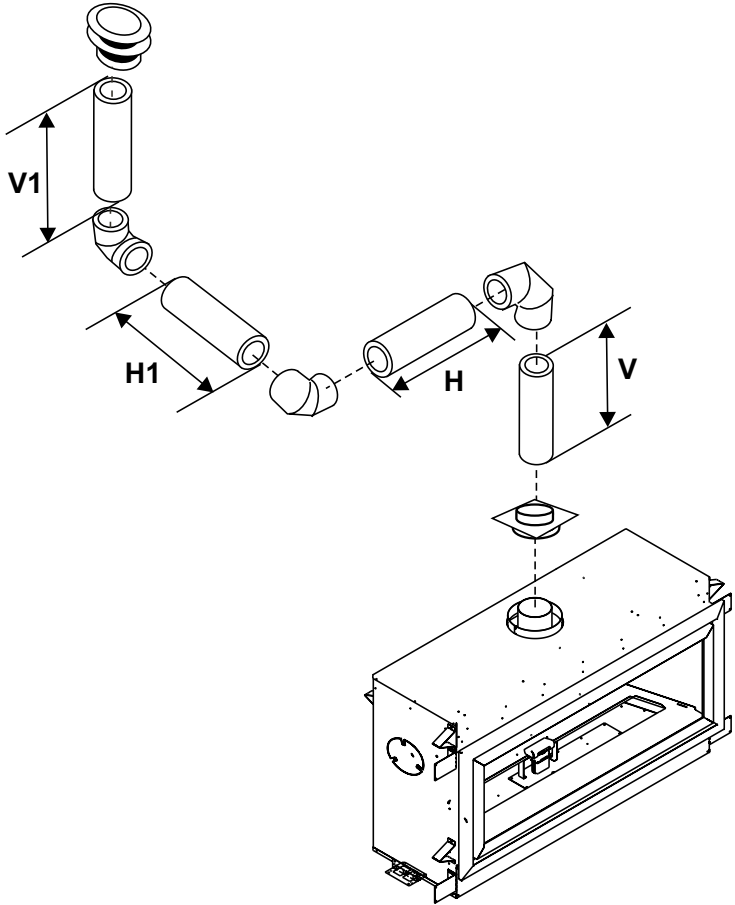
**One 90° elbow = Two 45° elbows.**

| Option | V       | H + H1  | V + V1  | With these options, max. total pipe length is 30 feet with min. of 9 feet total vertical and max. 8 feet total horizontal.<br><br><b>Please note min. 1 foot between 90° elbows is required.</b> |
|--------|---------|---------|---------|--|
| A)     | 2' Min. | 2' Max. | 4' Min. |  |
| B)     | 3' Min. | 4' Max. | 6' Min. |  |
| C)     | 4' Min. | 5' Max. | 7' Min. |  |
| D)     | 5' Min. | 6' Max. | 8' Min. |  |
| E)     | 6' Min. | 8' Max. | 9' Min. |  |

**VENT RESTRICTOR SETTING:**  
**Vent restrictor factory set at Set 1, no adjustment required.**

- Two 45° elbows equal to one 90° elbow. Maximum of six 45° elbows allowed.
- Vent must be supported at offsets.
  - Minimum distance between elbows is 1 ft. (305mm).
  - Maintain clearances to combustibles as listed in the "Clearances" section.
  - Horizontal vent must be supported every 3 feet.
  - Firestops are required at each floor level and whenever passing through a wall.
  - Must use optional rigid pipe adaptor (Part# 770-994 when using rigid pipe vent systems)

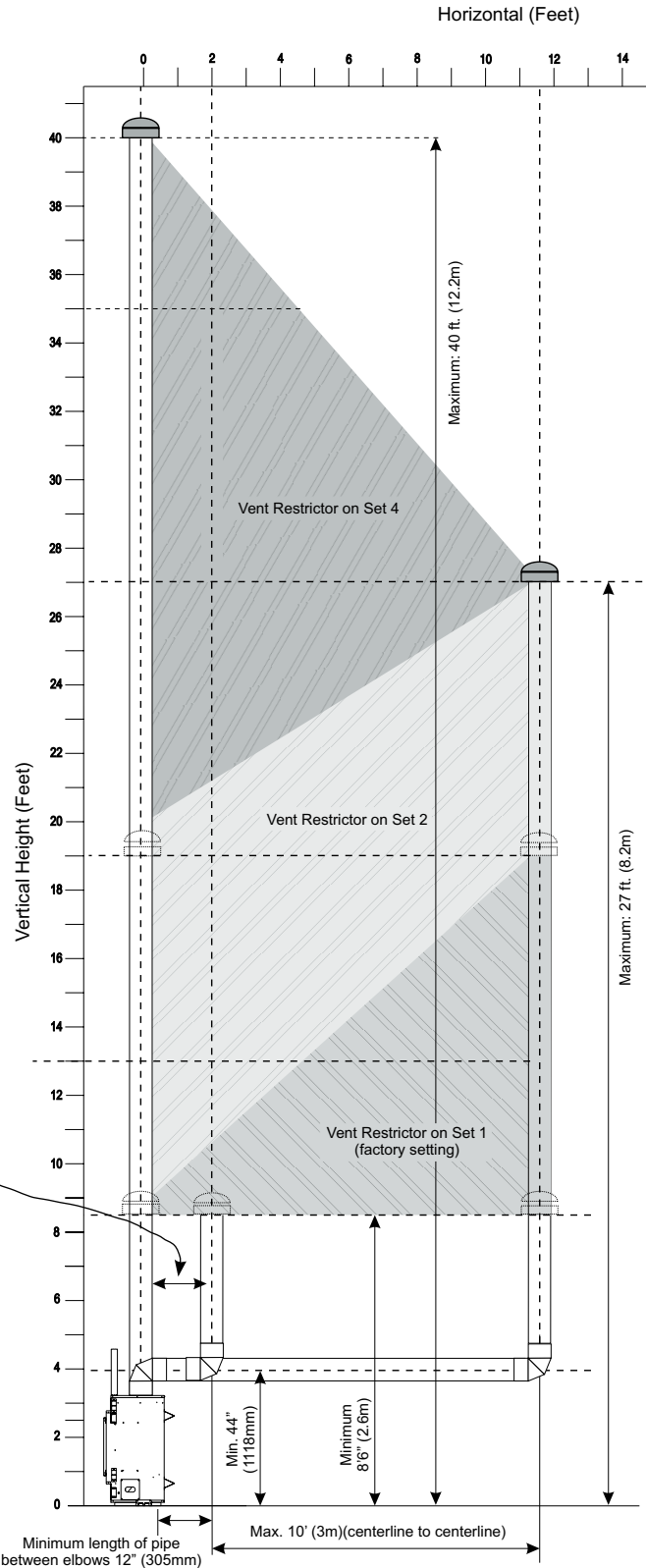
The Regency Direct Vent Flex System may be used for installations with a maximum vent length of up to 40 feet including offsets. If longer runs are required, rigid pipe must be used.



# installation

## Venting Arrangements - Allowable Vertical Terminations for HZ54E-NG (Rigid/Flex)

The shaded area in the diagram shows all allowable combinations of straight vertical and offset to vertical terminations, using two 90° elbows, with **rigid/flex pipe venting systems** for natural gas. Two 45° elbows equal to one 90° elbow. Maximum of four 45° elbows allowed.



**Please note min. 1 foot between 90° elbows is required.**

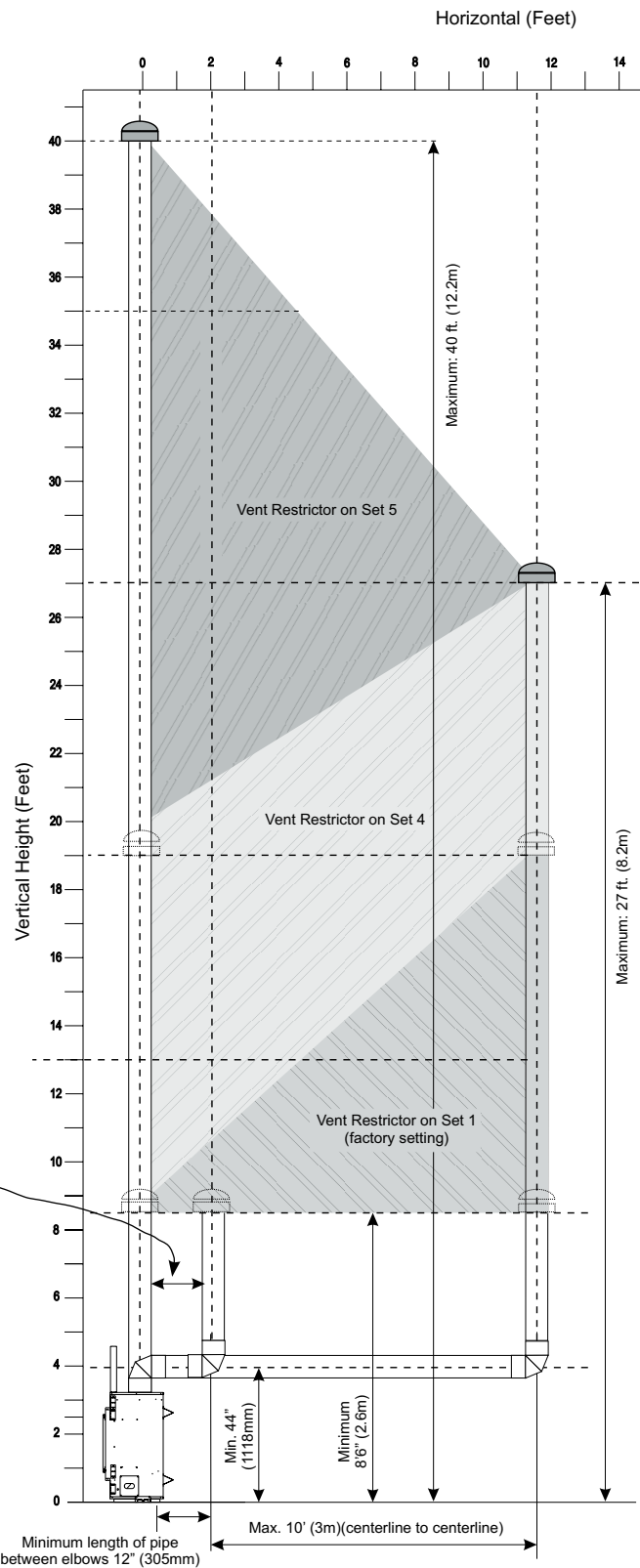
- Vent must be supported at offsets.
- Firestops are required at each floor level and whenever passing through a wall.
- Maintain clearances to combustibles as listed in the "Clearances" section.
- Refer to the "Vent Restrictor Position" section for details on how to change the vent restrictor from the factory setting of Set 1 to Set 2 or Set 4 if required.

For vertical terminations, the Regency Direct Vent Flex System may be used for installations with a maximum vent length of up to 40 feet including offsets. If no offsets are used, the maximum run is per the chart on this page.

**Note: Must use optional flue adaptor when using Rigid Pipe (Part # 770-994).**

## Venting Arrangements - Allowable Vertical Terminations for HZ54E-LP (Rigid/Flex)

The shaded area in the diagram shows all allowable combinations of straight vertical and offset to vertical terminations, using two 90° elbows, with **rigid/flex pipe venting systems** for propane. Two 45° elbows equal to one 90° elbow. Maximum of four 45° elbows allowed.



**Please note min. 1 foot between 90° elbows is required.**

- Vent must be supported at offsets.
- Firestops are required at each floor level and whenever passing through a wall.
- Maintain clearances to combustibles as listed in the "Clearances" section.
- Refer to the "Vent Restrictor Position" section for details on how to change the vent restrictor from the factory setting of Set 1 to Set 4 or Set 5 if required.

For vertical terminations, the Regency Direct Vent Flex System may be used for installations with a maximum vent length of up to 40 feet including offsets. If no offsets are used, the maximum run is per the chart on this page.

**Note: Must use optional flue adaptor when using Rigid Pipe (Part # 770-994).**

# installation

## Vertical Termination - Rigid Vent Systems

**Note:** A clearance of 2" (51mm) must be maintained; except when passing through a wall, ceiling, or at the termination where the use of a firestop or wall thimble reduces the required clearance to 1-1/2" (38mm). We recommend framing a 11" (279mm) x 11" (279mm) (inside dimensions) hole to give structural rigidity for mounting the termination.

1) Maintain the 1-1/2" (38mm) clearances (air spaces) to combustibles when passing through ceilings, walls, roofs, enclosures, attic rafter, or other nearby combustible surfaces, ensuring that the use of a firestop or wall thimble is used as noted above. Do not pack air spaces with insulation. Check "Venting Arrangement - Vertical Termination" section for the maximum vertical rise of the venting system and the maximum horizontal offset limitations.

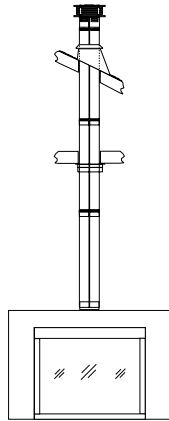


Diagram 1

2) Set the gas appliance in its desired location. Drop a plumb bob down from the ceiling to the position of the appliance flue exit, and mark the location where the vent will penetrate the ceiling. Drill a small hole at this point. Next, drop a plumb bob from the roof to the hole previously drilled in the ceiling, and mark the spot where the vent will penetrate the roof. Determine if ceiling joists, roof rafters or other framing will obstruct the venting system. You may wish to relocate the appliance or to offset, as shown in Diagram 2 to avoid cutting load bearing members.

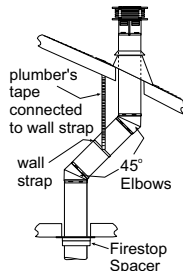


Diagram 2

3) A firestop spacer must be installed in the floor or ceiling of every level.

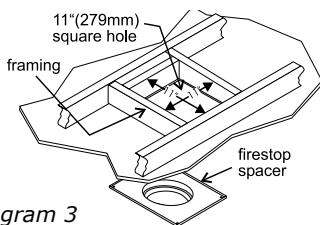
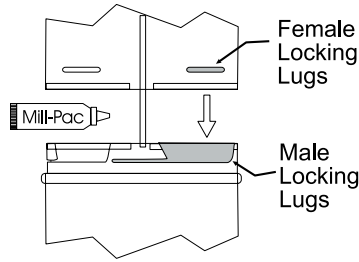


Diagram 3

4) Assemble the desired lengths of pipe and elbows. Ensure that all pipes and elbow connections are in the fully twist-locked position and sealed.



**Note:** For best results and optimum performance with each approved venting system, it is highly recommended to apply "Mill-Pac" sealant to every inner pipe connection. Failure to do so may result in drafting or performance issues not covered under warranty.

5) Cut a hole in the roof centered on the small drilled hole placed in the roof in Step 2. The hole should be of sufficient size to meet the minimum requirements for clearance to combustibles of 1-1/2" (38mm). Slip the flashing under the shingles (shingles should overlap half the flashing) as per Diagram 4.

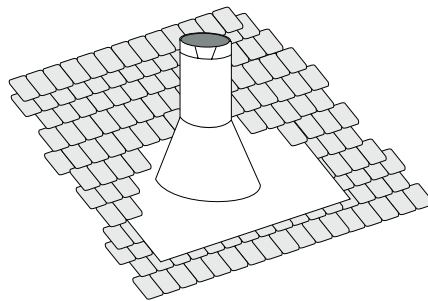


Diagram 4: The upper half of the flashing is installed under the roofing material and not nailed down until the chimney is installed. This allows for small adjustments.

6) Continue to assemble pipe lengths.

**Note:** If an offset is necessary in the attic to avoid obstructions, it is important to support the vent pipe every 3 feet (0.9 meter), to avoid excessive stress on the elbows, and possible separation. Wall straps are available for this purpose (Diagram 2).

Galvanized pipe is desirable above the roofline due to its higher corrosion resistance. Continue to add pipe sections through the flashing until the height of the vent cap meets the minimum height requirements specified in Diagram 5 or local codes. Note that for steep roof pitches, the vertical height must be increased.

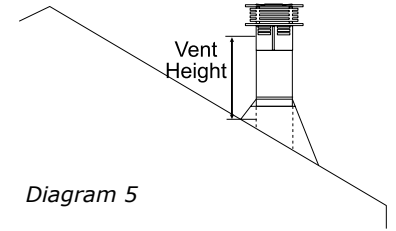


Diagram 5

| Roof Pitch          | Minimum Vent Height |        |
|---------------------|---------------------|--------|
|                     | Feet                | Meters |
| flat to 7/12        | 2                   | 0.61   |
| over 7/12 to 8/12   | 2                   | 0.61   |
| over 8/12 to 9/12   | 2                   | 0.61   |
| over 9/12 to 10/12  | 2.5                 | 0.76   |
| over 10/12 to 11/12 | 3.25                | 0.99   |
| over 11/12 to 12/12 | 4                   | 1.22   |
| over 12/12 to 14/12 | 5                   | 1.52   |
| over 14/12 to 16/12 | 6                   | 1.83   |
| over 16/12 to 18/12 | 7                   | 2.13   |
| over 18/12 to 20/12 | 7.5                 | 2.29   |
| over 20/12 to 21/12 | 8                   | 2.44   |

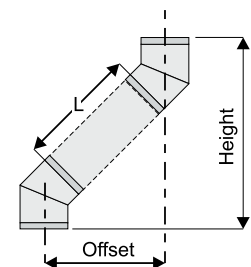
A poor draft, or down drafting can result from high wind conditions near big trees or adjoining roof lines, in these cases, increasing the vent height may solve the problem.

- 7) Ensure vent is vertical and secure the base of the flashing to the roof with roofing nails, slide storm collar over the pipe section and seal with a mastic.
- 8) Install the vertical termination cap by twist-locking it.

**Note:** Any closets or storage spaces, which the vent passes through must be enclosed.

## Offset Chart

| GS 8" (203mm) Nominal Diameter ID |     |                 |      |        |      |
|-----------------------------------|-----|-----------------|------|--------|------|
| Offset                            |     | Pipe Length (L) |      | Height |      |
| inches                            | mm  | inches          | mm   | inches | mm   |
| 4 3/4                             | 121 | 0               | 0    | 13 1/4 | 337  |
| 9                                 | 229 | 6               | 152  | 17 1/2 | 445  |
| 11 1/4                            | 286 | 9               | 229  | 19 1/2 | 495  |
| 13 1/4                            | 337 | 12              | 305  | 21 3/4 | 552  |
| 21 3/4                            | 552 | 24              | 610  | 30 1/4 | 768  |
| 30 1/4                            | 768 | 36              | 914  | 39     | 991  |
| 38                                | 965 | 48              | 1219 | 47     | 1194 |





## Vertical Terminations - Vertical Flex Vent Kit (Part #946-772)

Vertical Flex Vent Kit includes:

- 58 ft. flex pipe (inner & outer) with 10 spacers
- 3 wall straps
- Ceiling firestop
- Firestop spacer
- Brackets
- Flex to rigid adaptor
- Roof support
- 36" rigid DuraVent pipe
- Storm collar
- High wind termination cap
- Hardware

**NOTE** The roof flashing is not included with this kit and must be purchased separately.

**NOTE** Vertical flex installations must conform to the limitations set in the vertical venting charts.

You must choose 1 of the following:

| Part #               | Description   |
|----------------------|---------------|
| 58DVA-F6-0/12-6/12   | Roof Flashing |
| 58DVA-F12-7/12-12/12 | Roof Flashing |

- Maintain the 1-1/2" (38 mm) clearance (air space) to combustibles when passing through ceilings, walls, floors, enclosures, attic rafters or other nearby combustibles. Do not pack air spaces with insulation. Check venting sections for the maximum vertical rise of the venting system and the maximum horizontal offset limitations.

Ensure that you maintain clearances around enclosures, walls, below or above floors, floor joists, etc. Each appliance has different clearance requirements (top, sides, bottom). See specific appliance manual for details.

- Set the appliance in its desired position. Drop a plumb bob down from the ceiling/floor joist to the position of the appliance flue exit and mark the location where the vent will penetrate the ceiling. Drill a small hole at this point. Next drop a plumb bob from the roof to the hole previously drilled at the ceiling level and mark the spot where the vent will penetrate the roof.
- Cut a hole in the roof centered on the small hole placed in the roof in the previous steps. The hole should be a minimum of 11" (279 mm). The hole may be round and or square.
- Slip the flashing under the shingles and line up flashing so it is centered to the hole (shingles should overlap half of the flashing) as per Diagram 1.

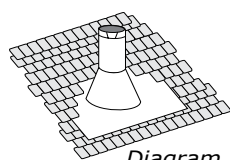


Diagram 1 - The upper half of the flashing is installed under the roofing material and not nailed down until the chimney is installed. This allows for small adjustments.

- A ceiling firestop/firestop spacer must be installed when passing through each floor or ceiling level. To install the ceiling firestop/firestop spacer in a flat ceiling or floor joist cut a 11" (279 mm) square hole. Frame the hole as show in Diagram 2 and install the ceiling firestop. Slide the top attic insulation spacer onto the top of the attic insulation shield/firestop - See Diagram 2a. Secure with 4 screws/nails. If more than one is required, these can be purchased separately.

**NOTE** The ceiling firestop/firestop spacer may be cut down to size if this shield is too high for the application.

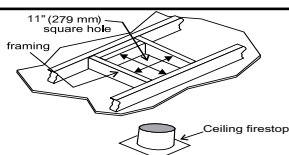


Diagram 2

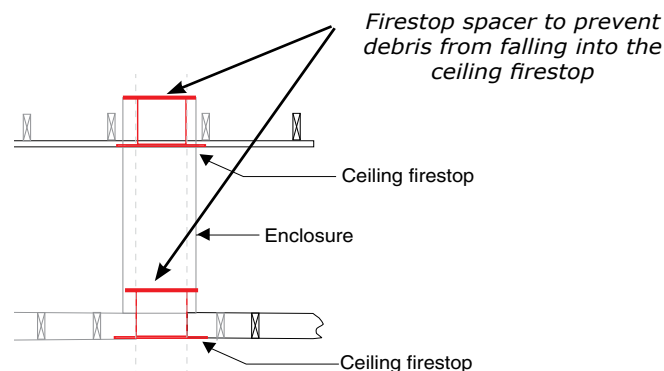


Diagram 2a

- Determine the overall height of the chimney from the top of the appliance to the underside of the vent. If required cut the flexible inner and outer pipe to the desired length up to a maximum of 20 ft. (6.1 m).
  - Put a bead of Mill-Pac around the 5" (127 mm) collar on the appliance and slide the inner flex pipe over the inner collar of the appliance and secure with a minimum of 3 screws.
  - Install 5" (127 mm) spacers around 5" (127 mm) flex.
  - Repeat Step 7 to install the outer pipe to the outer collar of the appliance.
- NOTE** If an offset is necessary in the attic or floor joists it is important to support the vent pipe every 3 feet (914 mm) to avoid excessive stress and sagging of the vent pipe. Wall straps are provided (3 in total) for this purpose. All round/plumbers strapping may also be used if further supports are required.
- Attach the rigid pipe section to the adaptor by using MillPac on the inner/ outer pipe. Use 3 screws to secure outer pipe.
  - Secure inner flex pipe to pipe adaptor using Mill-Pac over the adaptor. Slide the inner pipe over the flex to rigid adaptor and secure with 3 screws.
  - Repeat Step 11 to secure outer flex.

# installation

- Slide the finished length up towards the flashing ensuring the length of pipe is a minimum of 2 feet (0.61 m) measured from the top of the roof. Level the chimney and secure using the roof support provided with kit to bottom side of the roof as shown using a minimum of 2 screws per side- see Diagram 3b. See Diagram 4 for roof pitch and height requirements. See Diagram 3a for securing method if 2 feet (0.61 m) is insufficient and additional lengths are required, this may be purchased separately. See Simpson Duravent components list in the instruction manual for part numbers.

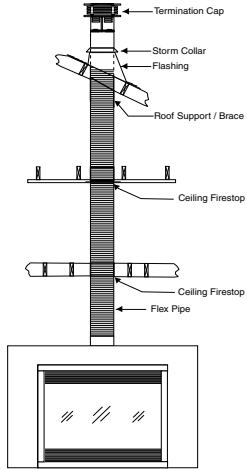


Diagram 3

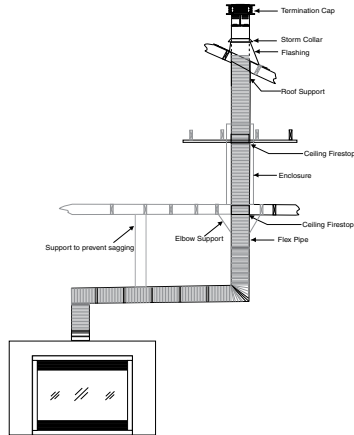


Diagram 3a

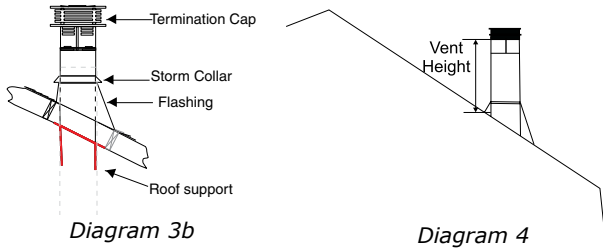


Diagram 3b

Diagram 4

| Roof Pitch          | Minimum Vent Height | Minimum Vent Height |
|---------------------|---------------------|---------------------|
|                     | Feet                | Meters              |
| flat to 7/12        | 2                   | 0.61                |
| over 7/12 to 8/12   | 2                   | 0.61                |
| over 8/12 to 9/12   | 2                   | 0.61                |
| over 9/12 to 10/12  | 2.5                 | 0.76                |
| over 10/12 to 11/12 | 3.25                | 0.99                |
| over 11/12 to 12/12 | 4                   | 1.22                |
| over 12/12 to 14/12 | 5                   | 1.52                |
| over 14/12 to 16/12 | 6                   | 1.83                |
| over 16/12 to 18/12 | 7                   | 2.13                |
| over 18/12 to 20/12 | 7.5                 | 2.29                |
| over 20/12 to 21/12 | 8                   | 2.44                |

- Put a bead of caulking on the exterior between the outer pipe and flashing to prevent water from penetrating the chimney system.
- Slide storm collar over pipe length until it reaches the flashing.
- Install termination cap by twist locking it.
- Secure the flashing to the roof using screws

**Note: Any closets or storage spaces which the vent passes through must be enclosed.**

## Vertical Flue Extension Kit (Part # 946-769)

### 20 foot (6.1 m) flex pipe extension

Vertical Flex Extension Kit includes:

- 20 ft. flex pipe (inner & outer) with 10 spacers
- 3 wall straps
- Flex adaptor
- Hardware

Used in conjunction with the 946-772 Vertical Flex Vent Kit for vertical installations.

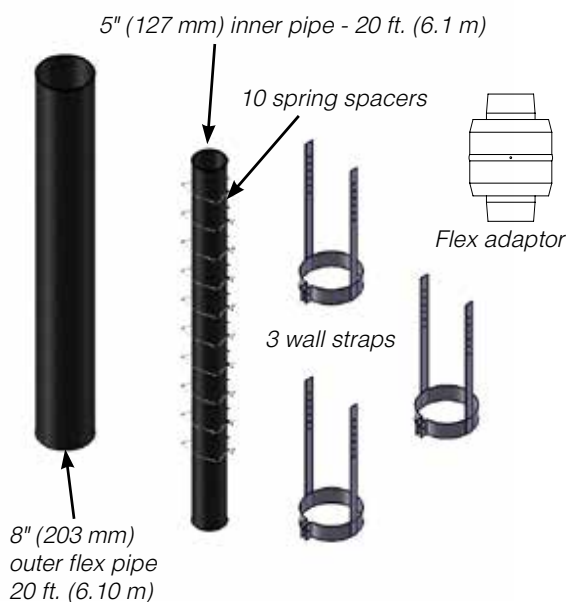
1. Stretch out both inner 5" (127 mm) and outer 8" (203 mm) pipe up to a maximum of 20 ft. (6.1 m).

**NOTE** The inner and outer pipes may be cut if only a short length is required.

2. Install spring spacers around 5" (127 mm) inner pipe as shown. Slide outer flex pipe over and all the way down the 5" (127 mm) pipe.
3. Apply a bead of Mill Pac around the perimeter of the 5" (127 mm) inner collar of the flex adaptor and slip the 5" (127 mm) inner flex pipe from the Vertical termination kit over the flex adaptor ensuring that the inner flex pipe overlaps the collar by at least 1.4" (35 mm). Fasten with 3 screws.
4. Apply a bead of Mill Pac around the perimeter of the 8" (203 mm) outer collar of the flue adaptor and slip it over the 8" (203 mm) outer flex pipe from the vertical termination kit ensuring that the outer flex pipe overlaps the collar by at least 1.4" (35 mm). Fasten with the 3 screws.
5. Repeat steps to secure the other end of the flex adaptor using the flex kit.
6. See Vertical Vent installation instructions for installation of the complete vent system.

**NOTE** If an offset is necessary in the attic or floor joists it is important to support the vent pipe every 3 ft. (0.91 m) to avoid excessive stress and sagging of the vent pipe. Wall straps are provided (3 in total) for this purpose.

All round/plumbers strapping may also be used if further supports are required.



# installation

## Ceiling Firestop / Firestop Spacer (Part # 946-770)

Used in conjunction with the 946-772 Vertical Flex Kit and 946-769 Vertical Flex Extension Kit.

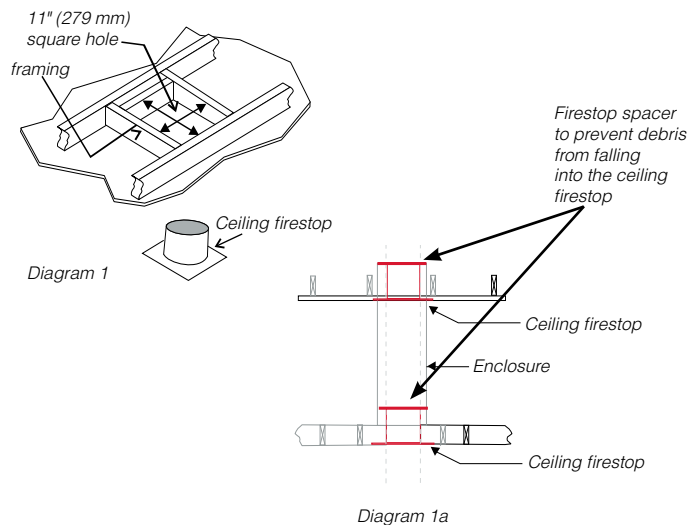
A ceiling firestop/firestop spacer must be installed when passing through each floor or ceiling level.

Steps to install the ceiling firestop/firestop spacer in a flat ceiling or floor joist:

1. Cut a 11" (279 mm) square hole.
2. Frame the hole as show in Diagram 1.
3. Install the ceiling firestop.
4. Slide the top attic insulation spacer onto the top of the attic insulation shield/firestop - See Diagram 1a.
5. Secure with 4 screws/nails.

Firestops can be purchased separately if more than one is required.

**NOTE** The ceiling firestop/firestop spacer may be cut down to size if it is too high for the application.



| HZ54E-NG11 SYSTEM DATA    |                         |
|---------------------------|-------------------------|
| Min. Supply Pressure      | 5" WC (1.25 kpa)        |
| Low Setting Man. Pressure | 1.6" WC (0.40kpa)       |
| Max. Manifold Pressure    | 3.5" WC (0.87 kpa)      |
| Orifice Size              | #30 DMS                 |
| Minimum Input             | 29,000 Btu/h (8.50 kW)  |
| Maximum Input             | 41,500 Btu/h (12.16 kW) |

| HZ54E-LP11 SYSTEM DATA    |                         |
|---------------------------|-------------------------|
| Min. Supply Pressure      | 11" WC (2.74 kpa)       |
| Low Setting Man. Pressure | 6.4" WC (1.59kpa)       |
| Max. Manifold Pressure    | 10" WC (2.49 kpa)       |
| Orifice Size              | #49 DMS                 |
| Minimum Input             | 30,000 Btu/h (8.79 kW)  |
| Maximum Input             | 37,000 Btu/h (10.84 kW) |

## High Elevation

This unit is approved for altitude 0 to 4500 ft. (CSA 2.17).

## Gas Line Installation

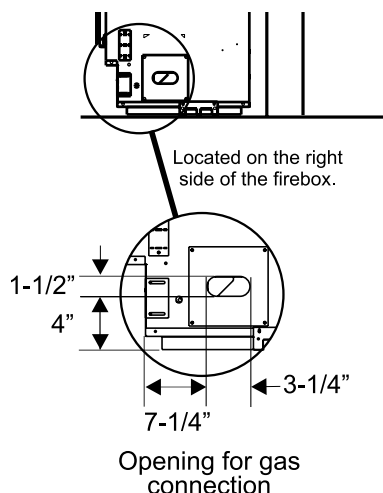
Since some municipalities have additional local codes it is always best to consult with your local authorities and the CSA B149.1 installation code.

For USA installations follow local codes and/or the current National Fuel Gas Code, ANSI Z223.1.

When using copper or flex connectors use only approved fittings. Always provide a union so that gas lines can be easily disconnected for servicing. Flare nuts for copper lines and flex connectors are usually considered to meet this requirement.

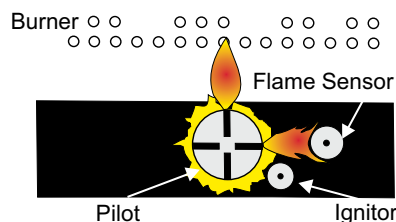
**NOTE: A shutoff / dante valve should be supplied in or near the unit (or as per local codes) for ease of servicing this appliance.**

**IMPORTANT: Always check for gas leaks with a soap and water solution or gas leak detector. Do not use open flame for leak testing.**



## Pilot Adjustment

Periodically check the pilot flames. Correct flame pattern has two strong blue flames: 1 flowing around the flame sensor and 1 flowing across the burner (it does not have to be touching the burner).



**Note: If you have an incorrect flame pattern, contact your Regency® dealer for further instructions.**

**Incorrect flame pattern will have small, probably yellow flames, not coming into proper contact with the rear burner or flame sensor.**

## Gas Pipe Pressure Testing

The appliance must be isolated from the gas supply piping system by closing its individual manual shut-off valve during any pressure testing of the gas supply piping system at test pressures equal to or less than 1/2 psig. (3.45 kPa). Disconnect piping from valve at pressures over 1/2 psig.

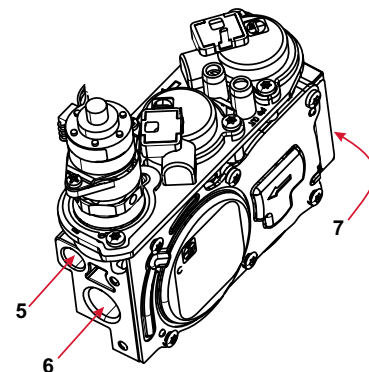
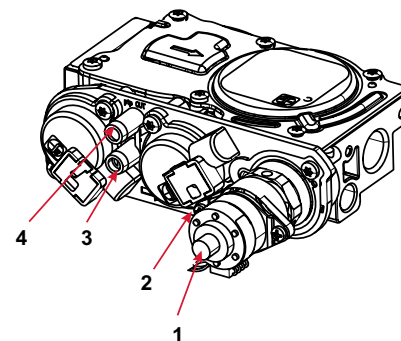
The manifold pressure is controlled by a regulator built into the gas control, and should be checked at the pressure test point.

**Note: To properly check gas pressure, both inlet and manifold pressures should be checked using the valve pressure ports on the valve.**

- 1) Make sure the valve is in the "OFF" position.
- 2) Loosen the "IN" and/or "OUT" pressure tap(s), turning counterclockwise with a 1/8" wide flat screwdriver.
- 3) Attach manometer to "IN" and/or "OUT" pressure tap(s) using a 5/16" ID hose.
- 4) Light the pilot and turn the valve to "ON" position.
- 5) The pressure check should be carried out with the unit burning and the setting should be within the limits specified on the safety label.
- 6) When finished reading manometer, turn off the gas valve, disconnect the hose and tighten the screw (clockwise) with a 1/8" flat screwdriver. **Note: Screw should be snug, but do not over tighten.**

## 885 S.I.T. Valve Description

- 1) 6 Stage flame adjustment
- 2) Pilot adjustment
- 3) Inlet Pressure Tap
- 4) Outlet Pressure Tap
- 5) Pilot Outlet
- 6) Main Gas Outlet
- 7) Main Gas Inlet

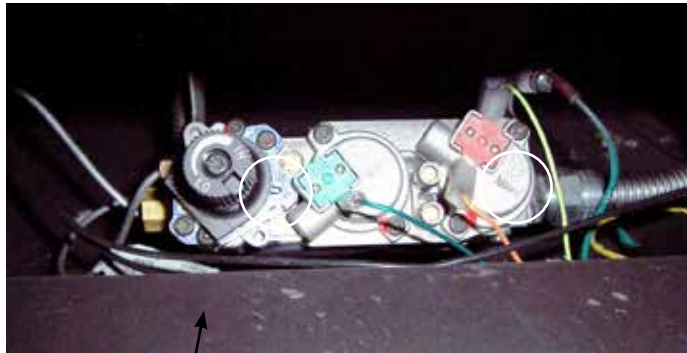


# installation

## Valve Cover Removal

The valve cover will need to be removed to access the valve tray (see valve tray replacement) and also to access the DBFC (see Battery + ON/OFF switch installation).

- 1) Remove Faceplate and glass door if installed.
- 2) The valve cover is located on the right side underneath the glass door - loosen 2 screws securing the valve cover (see Diagram 1 below).



Valve cover

Diagram 1

- 3) Slide the valve cover upward.



Diagram 2

- 4) Lift the cover up off the screws and out of the unit.

- 5) To install - reverse steps.



Diagram 3

## Aeration Adjustment

The burner aeration is factory set but may need adjusting due to either the local gas supply or altitude. Open the air shutter for a blue flame or close for a more yellow flame.

For instructions to remove the burner for access to the ventury cap, see pages 46-47 in this manual.

### Minimum Air Shutter Opening:

|                |           |
|----------------|-----------|
| NG             | 1/2"      |
| NG with Logs   | Full open |
| NG with Stones | Full open |
| LP             | 1/2"      |
| LP with Logs   | Full open |
| LP with Stones | Full open |

**CAUTION:** Carbon will be produced if air shutter is tightly closed.

**Note:** Any damage due to carboning resulting from improperly setting the aeration controls is **NOT** covered under warranty.



Venturi Cap

# installation

## Wiring Diagram

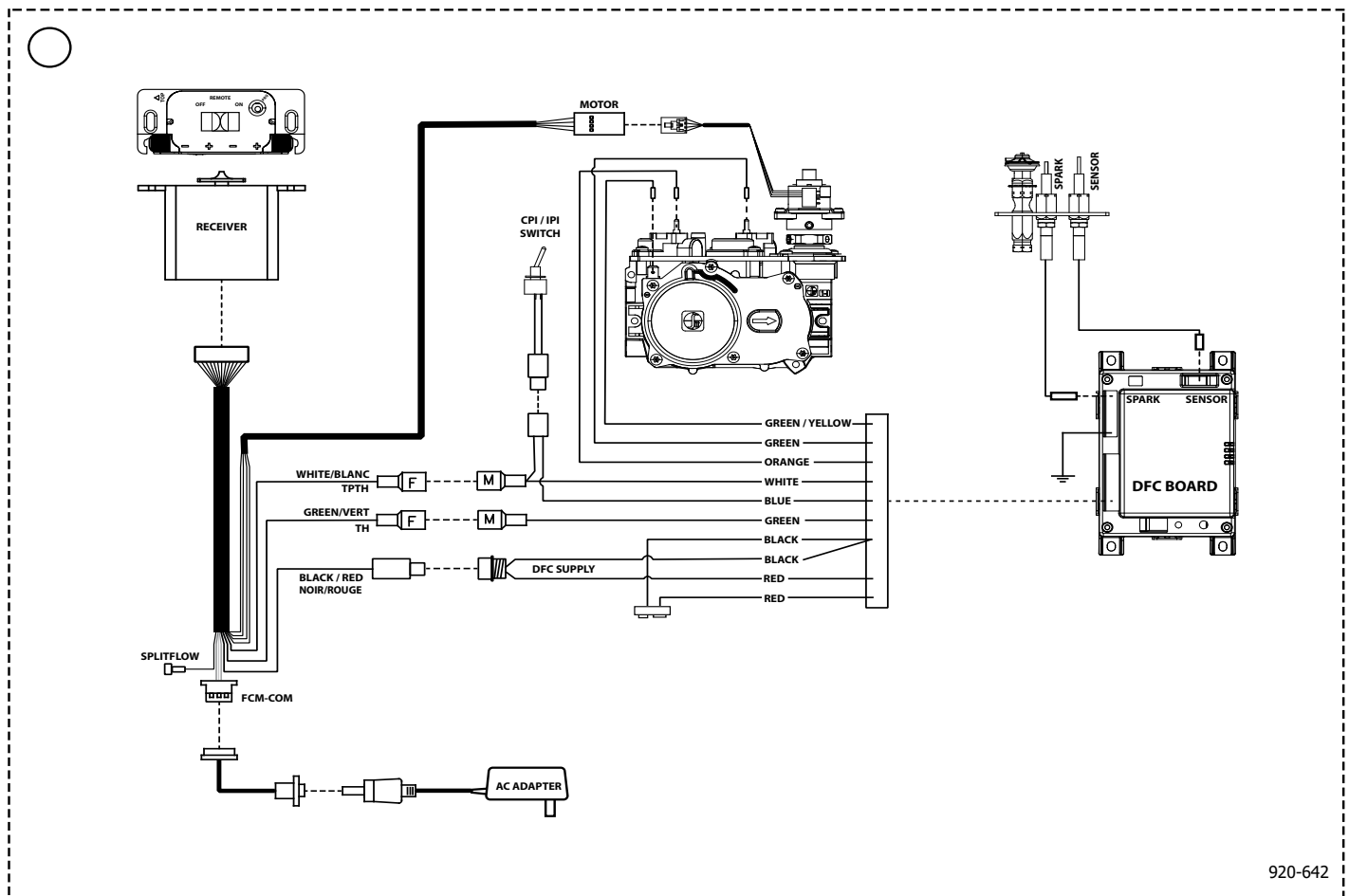
This heater does not require a 120V A.C. supply for operation but it is highly recommended to install the supplied AC adaptor to eliminate the need for batteries. In case of a power failure, the burner switch and the optional remote control will continue to operate if batteries are installed in the receiver. However, a 120V A.C. power supply is needed for the fan/blower operation.

**(Do not cut the ground terminal off under any circumstances.)**

**NOTE: Even if the fan is not purchased with the unit, we highly recommended bringing power to the receptacle box (provided with the unit) in case the fan is installed at a later date. The AC adaptor is included with this appliance.**

CAUTION

- Label all wires prior to disconnection when servicing controls. Wiring errors can cause improper and dangerous operation.
- Ensure that the wires do not touch any hot surfaces and are away from sharp edges.
- This appliance is equipped with a three-prong (grounding) plug for protection against shock hazard and should be plugged directly into a properly grounded three-prong receptacle. Do not cut or remove the grounding prong from the plug.
- Electrical power must be brought to the appliance by a licensed electrician. Do not cut the ground terminal off under any circumstances.



**Note: Either 4 AA batteries or AC adaptor must be installed to operate the burner switch/Receiver.**

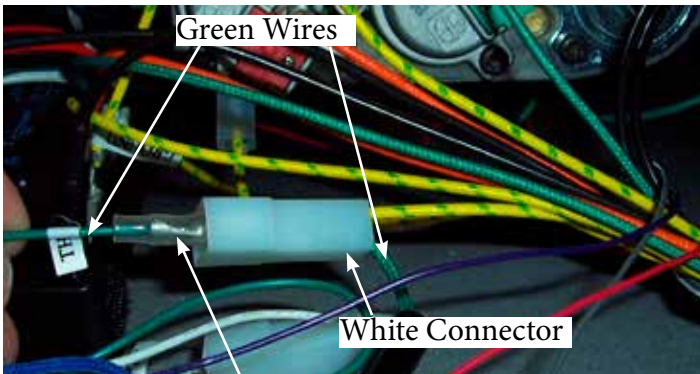


## Optional Wall Thermostat Installation

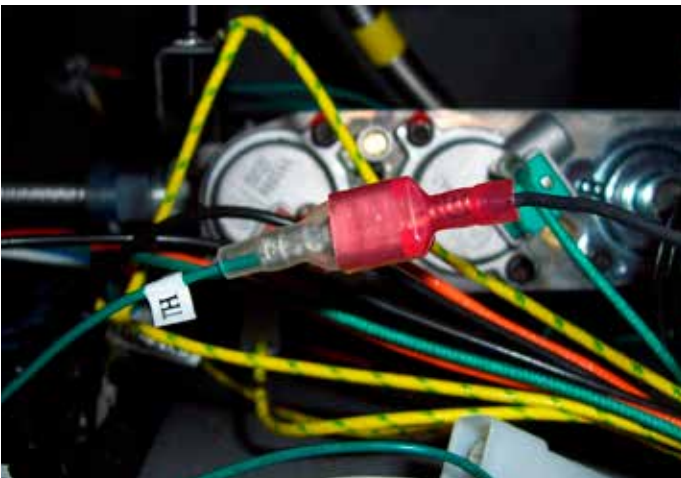
A wall thermostat may be installed if desired.

Recommended: The Wall Thermostat should be mounted beside the Remote/Unit Receiver which comes standard with the appliance.

- 1) Run wires from thermostat into the unit.
- 2) Remove the green wire marked (TH) at the white connector-shown below. The noted wires will be located near the gas valve.



- 3) Connect one thermostat lead to female connector, using male spade connector - see picture below.



- 4) Connect the other thermostat lead to male connector disconnected from Step 1 using a female spade connector - see picture below.



When complete turn remote receiver to the ON position. Unit will now operate using the wall thermostat.



**NOTE:** When the remote receiver is set to ON position, the remote control transmitter and all of its features are now disabled.

**CAUTION**  
Do not wire  
Thermostat wires  
to 120V wire.

# installation

## Optional Enamel Panel Installation

**Before installation, panels must be handled and cleaned as per instructions noted below:**

### Black Enamel Panels

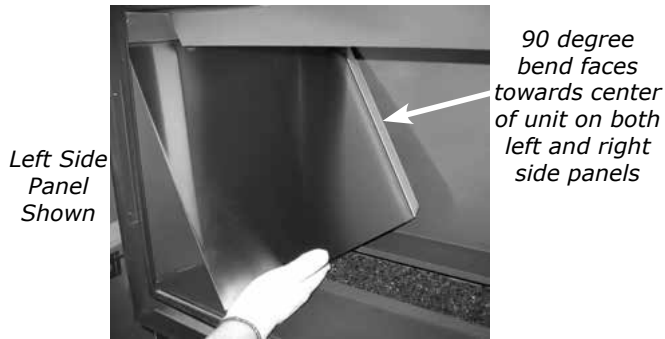
- Black Enamel panels must be inspected for scratches and dimples prior to installation. All claims to be recorded at this time. Claims for damage after installation will not receive consideration.

- Black Enamel panels will discolor a little during normal operation. This is normal and should not be considered a defect.

\* All hand and finger marks **MUST** be cleaned off with a soft cloth. Use an ammonia based cleaner (ie. glass cleaner) to remove any fingerprints before applying heat to the unit.

**Failure to do this will result in burn stain on panels which you will be unable to remove.** Not protected by product warranty.

- 1) Position the left side panel in place - **top of panel in first**, then fit the bottom tab into the slot at the bottom of the firebox as shown below. Repeat for right side panel.

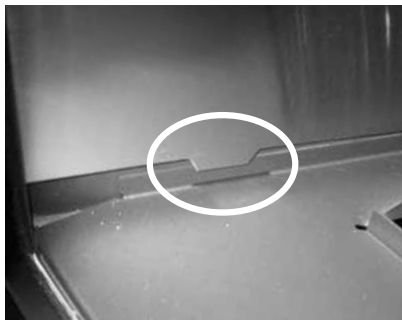


Right side panel in position

- 2) Fit the back panel into position by clearing the pilot shield - **bottom of panel goes in first.**

Then fit the tabs on the bottom left and right side of the back panel into the slots at the base of the firebox.

Secure the back panel in place by placing the brackets over the screws on the top of the inside left and right side of the firebox and tighten the screw to hold the bracket against the back panel shown below.



Fit side panel tab into slot



Left Side Bracket

Right side back panel tab fitted into slot



Left side panel in position



Bracket shown in place on right side of the firebox

## Glass Crystals or Optional Stones - Installation On Burner

Spread the Glass Crystals / Firebeads or Stones evenly over the burner. Ensure the crystals/stones do not overlap excessively as this will affect the flame pattern.

**IMPORTANT NOTE:**

Only the supplied approved Glass Crystals / Firebeads and Stones are to be used with these fireplaces. Use of any other type of glass crystals / firebeads or stones can alter the unit's performance, any damage caused by the use of any unapproved glass or stones will not be covered under warranty. When using Ceramic Spa/Volcanic Stones ensure required glass crystals / firebeads are used as a base. **DO NOT** overstack Ceramic Spa stones or Volcanic stones on the burner or in the pilot area.

Don not use Volcanic Stones/Ceramic Spa Stones when using driftwood log set.

| BURNER PACKAGES  |                 |             |  |
|--|-----------------|-------------|--|
| Unit   | *Glass Crystals | *Fire Beads | Optional Ceramic Spa Stones or Volcanic Stones   |
| HZ54E  | 3bs             | 4lbs        | 1 lb Glass + 2 boxes (140 Ceramic Spa Stones)<br>2 lb Glass + 35 Ceramic Spa Stones or 2 lb Glass + 40 Volcanic Stones<br>3 lb Firebeads + 2 boxes (140 Ceramic Spa Stones)<br>3 lb Firebeads + 40 Volcanic Stones |
| <b>NOTE:</b> * Glass Crystals/Firebeads are not supplied with the unit. Must purchase separately - see quantities above. |                 |             |  |

## Optional River Pebbles / Glass Crystals Installation for Firebox Base (around burner)

There are 3 optional packages to choose from to cover the firebox base:

- 1) Natural River Pebbles
- 2) Glass Crystals (3 colors available)
- 3) Firebeads (3 colors available)

Spread the river pebbles / glass crystals evenly on the exposed base of the firebox. River Pebbles are **NOT** to be placed anywhere on the burner or over top of the Glass Crystals or optional Stones.

**IMPORTANT NOTE:** Only the supplied and approved river pebbles / glass crystals / firebeads are to be used with these fireplaces. Use of any other type of river pebbles, glass crystals, firebeads or other material can create a danger and will void the warranty.

| Firebox (around burner) Packages |                |            |                         |
|----------------------------------|----------------|------------|-------------------------|
| Unit                             | Glass Crystals | Fire Beads | River Pebbles           |
| HZ54E                            | 6 lbs          | 9lbs       | River Pebbles (2 boxes) |



Glass Crystals shown surrounding the Burner



Natural River Pebbles shown surrounding the Horizon Burner



Optional Volcanic Stones + Glass Crystals shown on burner.

# installation

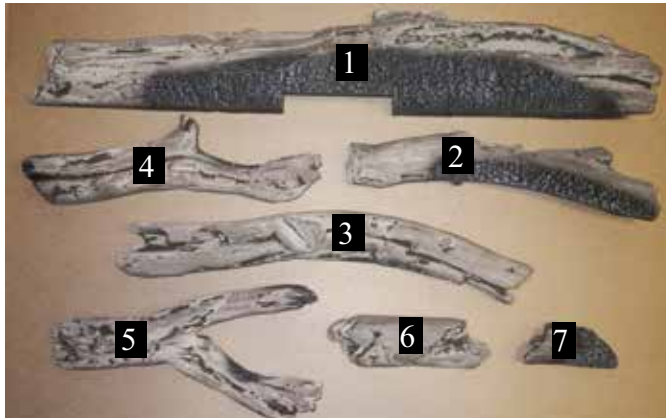
## Optional Driftwood Log Set Installation

Read the instructions below carefully and refer to the images. If the logs are broken do not use the unit until they are replaced. Broken logs can interfere with pilot operation.

Improper positioning of the logs may create carbon build-up and can alter the unit's performance which is not covered under warranty.

\*Dark brown paint is included if touch ups are required.

|   |                                       |
|---|---------------------------------------|
| 1 | Rear Log                              |
| 2 | Left Log                              |
| 3 | Right Log                             |
| 4 | Left Cross Log                        |
| 5 | Right Cross Log                       |
| 6 | Front Left Log Piece                  |
| 7 | Front Right Log Piece                 |
|   | Lava embers                           |
|   | Pilot Hood - HZ54E only               |
|   | Log placement template - HZ54E /HZ40E |
|   | Magnets x 2                           |



1. Shut off gas and electrical supply, allow unit to cool to room temperature.

2. Remove flush glass door (see manual).

3. Carefully remove the logs from the packaging and unwrap them. The logs are fragile, handle with care -never force into position.

4. Ensure glass crystals are installed on the burner.  
HZ54E = 2lbs HZ40E=1.5lbs

5. **HZ54E only**- Remove existing pilot hood - replace with pilot hood provided with log set.

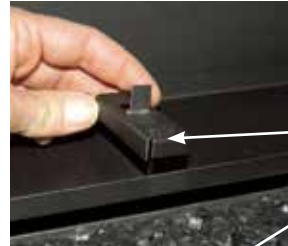


HZ54E - existing Pilot Hood



HZ54E - new Pilot Hood

6. Clip on the log guides - position approximately 5" on either side of the outside edge of the pilot hood.



Log guides



7. Install Rear Log (1), by positioning cut out over pilot hood - ensure cut out is centered.

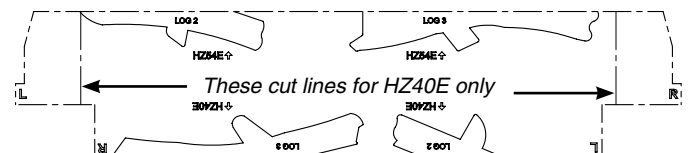


8. Push the rear log gently back, until it hits the log guides.



Log 1 in position

9. Locate provided log placement template - identify unit required before cutting template out along dotted line. Slide template on firebox floor up to the edge of the burner, ensure L and R sides are in the correct position. Secure template in place with magnets (supplied) on each side.



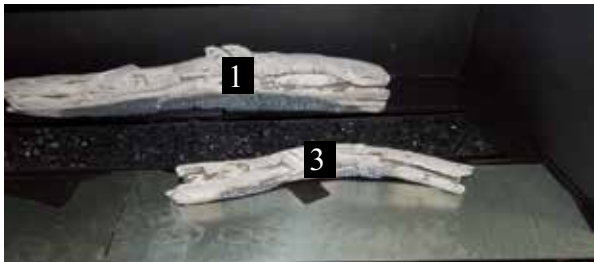
Top View - showing both HZ54E/HZ40E cut template out along dotted line

10. Position Left Log (2) by matching the log and template profiles exactly.



*HZ54E shown - Left Log (2) positioned to match template profile.*

11. Position Right Log (3) by matching the log and template profiles exactly.



*HZ54E shown - Right Log (3) positioned to match template profile.*

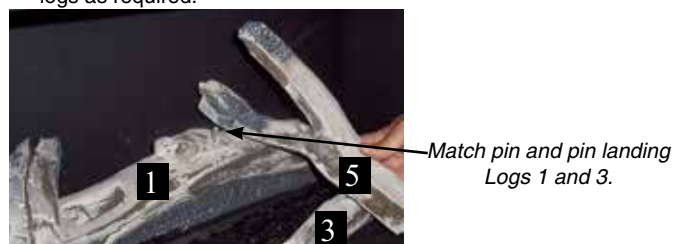
12. Position Left Cross Log (4) on Log 1, match up pin landing as per reference below, rest bottom of Log 2 on Log 3 plus match log profile with template profile.



*HZ54E shown - Left Cross Log (4) positioned to match template profile.*

13. Position Right Cross Log (5) by lining pin on Logs 1 with pin landing on Log 3, match bottom of Log 5 and template profile.

14. Carefully remove magnets and log placement template, slightly lifting logs as required.



15. Place Front Left log piece on firebox floor as shown.



*HZ54E shown - Left Log Piece(6)*

16. Place Right Log piece on firebox floor as shown.



*HZ54E shown - Right Log Piece(7)*

17. If desired, install additional crystals on firebox floor, in and around installed logs.

18. Install lava embers - spread evenly over glass.



*Lava embers on glass crystals*

19. Reverse steps 1 and 2.

20. Adjust aeration settings - see unit manual for settings.



*HZ54E shown - Completed Install*

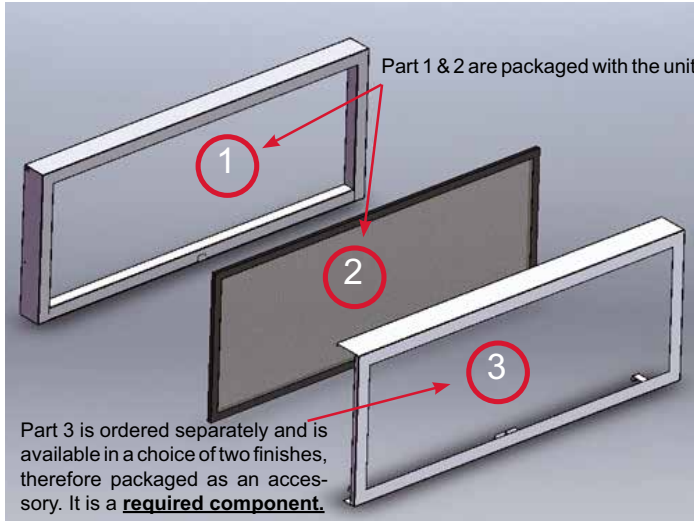


*HZ40E shown - Completed Install*

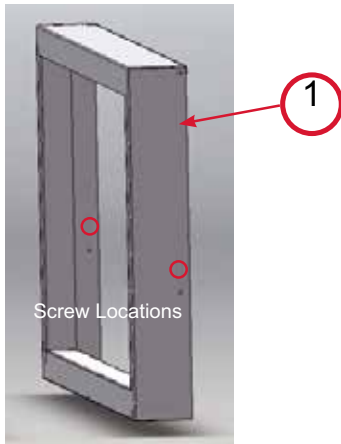
# installation

## Faceplate & Door Frame Overlay Installation

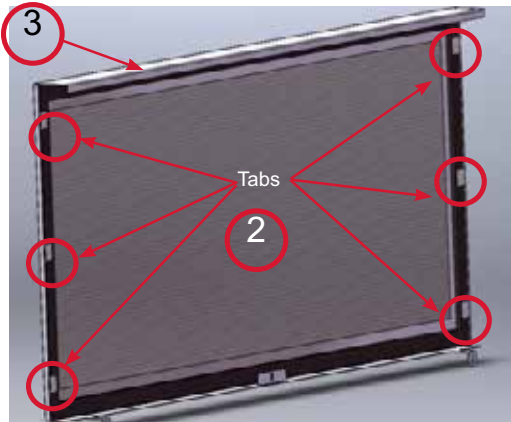
1. The inner door frame (1) and mesh screen (2) come attached to the unit. Remove the inner door frame (held by magnets) and screen by pulling the bottom of the frame forward and lifting up.



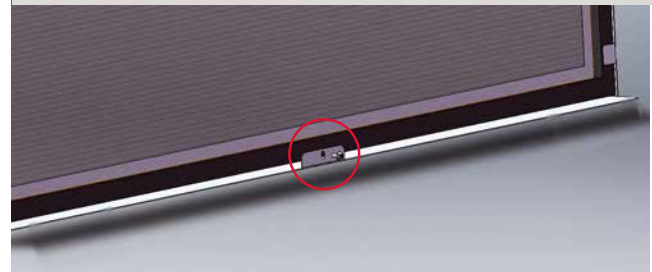
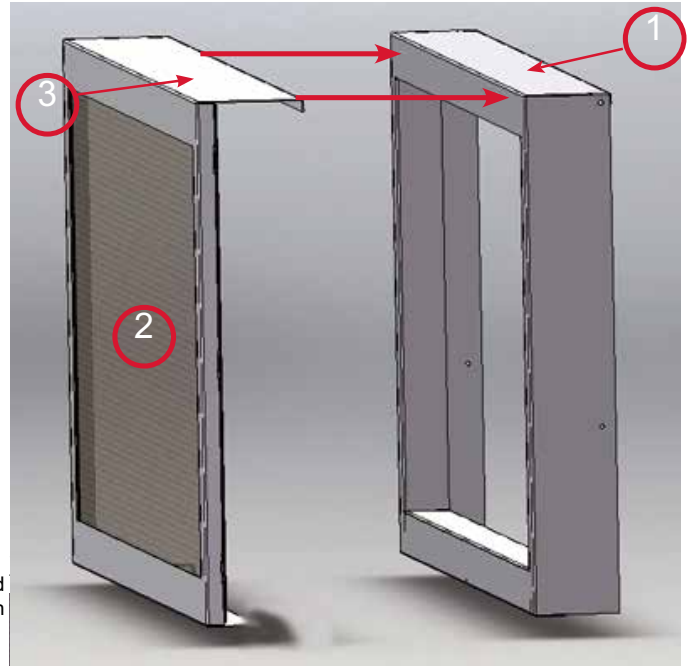
2. Remove screws from inner side of the inner door frame and discard screws and brackets. (Brackets not shown). Remove the screen mesh from inner door frame.



3. Pull the bottom of the inner door frame forward, lift up and remove frame. Mesh screen from inner door frame (1) to be removed and installed into outer door frame (3) as shown. Bend the six tabs down to secure the mesh to the outer door frame.



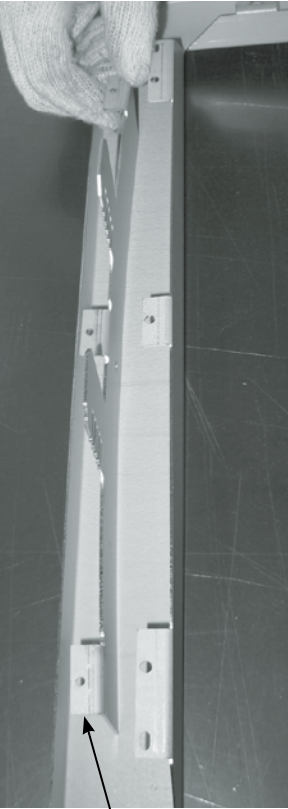
4. Hook the outer door frame (3) and mesh screen assembly (2) over the inner door frame (1).



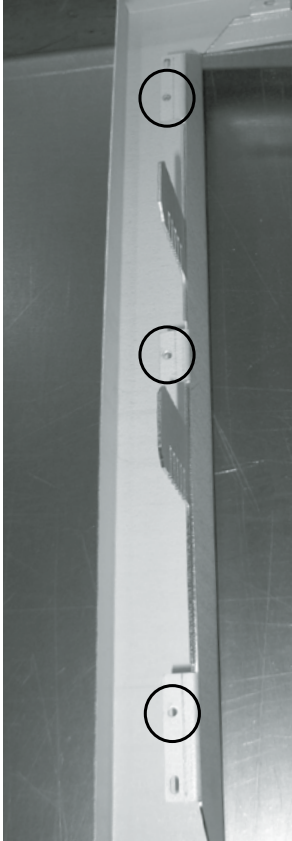
5. Attach the completed assembly to the glass frame on the unit.

6. Proceed to Faceplate installation.

- 1. Secure the left side mounting bracket to the backside of the faceplate as shown below. Use 3 screws supplied to secure the mounting bracket in place. Repeat for right side.

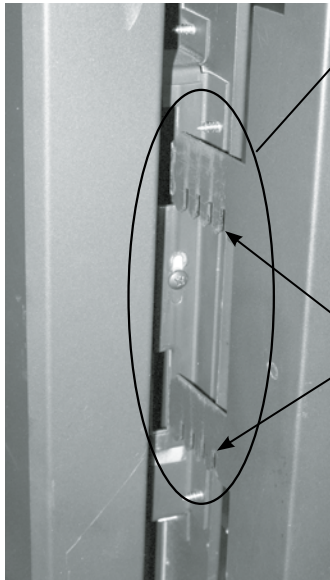
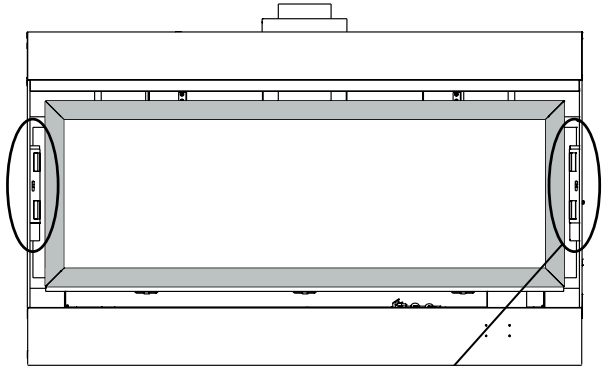


Left Side Mounting Bracket



Mounting Bracket shown in place

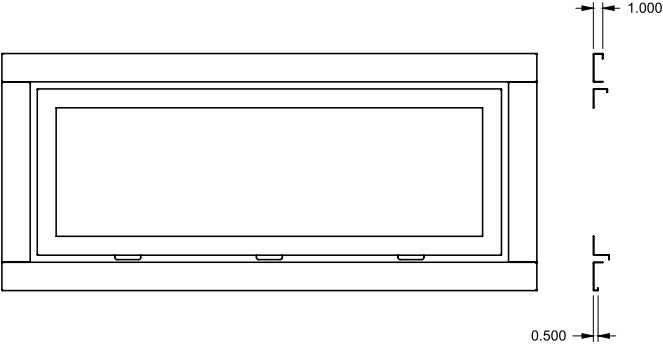
- 2. Install the faceplate to the unit by hooking the left and right side mounting brackets into the mounting slots at the side of the firebox as shown below. It is recommended that you use the first mounting slot (the one closest to the door frame overlay) out of the 5 so that the faceplate and door frame overlay are flush with one another. See diagram below.



First Mounting Slot (recommended)

**NOTE:** There are 5 mounting slots available, this is to accomodate any finishing that protrudes slightly beyond the faceplate.

**NOTE:** Ensure that the faceplate is positioned correctly when installing the mounting brackets to the faceplate. There is a top and bottom, the top of the faceplate has a full 1" return whereas the bottom only has a 1/2" return as shown in the diagram below.



# installation

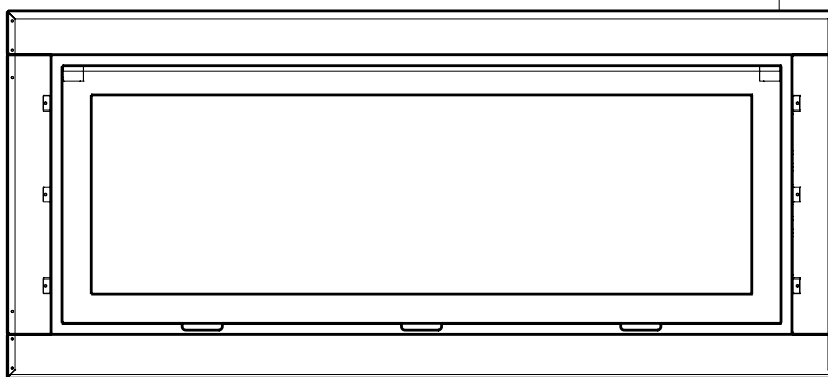
## IMPORTANT NOTE

To ensure the gap between the door frame and the faceplate are equal from side to side you may need to slide the faceplate slightly to the left or right accordingly.

Also if necessary, the faceplate may be adjusted up and down by loosening the top screw as shown in the diagram below and sliding the plate up or down as required.



*Faceplate Mounting Slots*



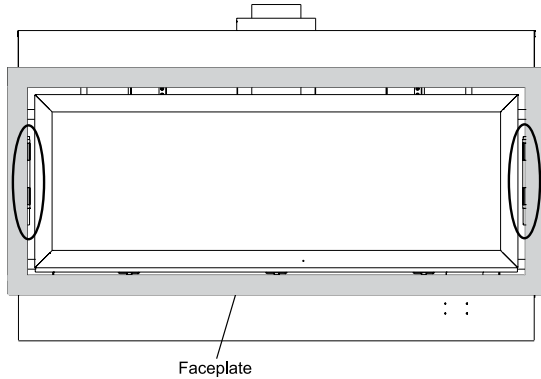
**Completed Faceplate Installation**



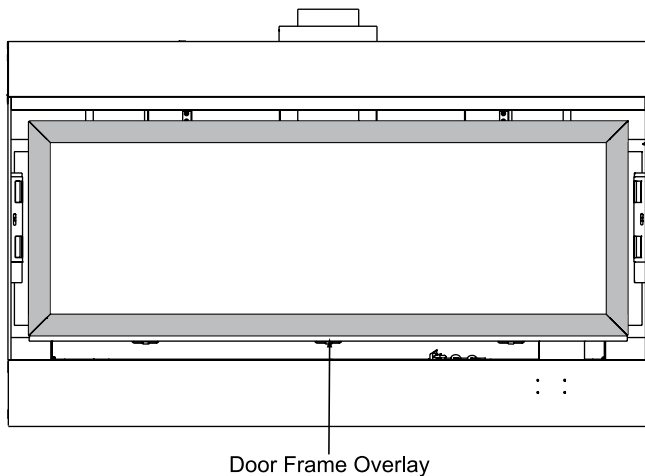
## Fan Installation

Important: 120 Volt AC power is needed for the blower. The receptacle box is installed on the left hand side of the unit and must be wired by a qualified electrician prior to fan assembly being installed. The neutral (wider) slot of the polarized receptacle should be at the top.

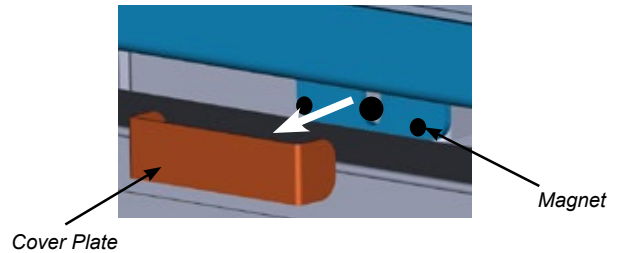
- 1) Turn the unit off and allow it to cool down to room temperature.
- 2) Turn off the gas supply to the unit.
- 3) Remove the faceplate by lifting it up off the slots on the sides of the firebox.



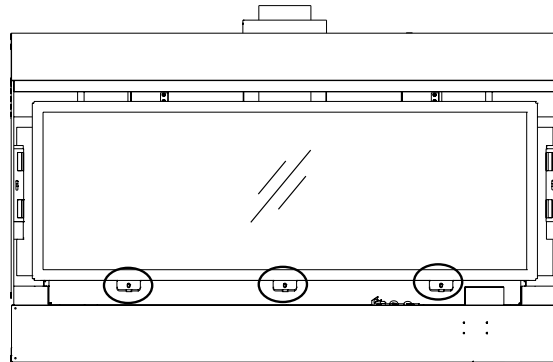
- 4) Remove the door frame overlay by swinging out 45° from the bottom and lift up and out.



- 5) Remove the glass door.
  - a) Remove cover plates from over each screw by pulling away from 2 magnets each as shown below.

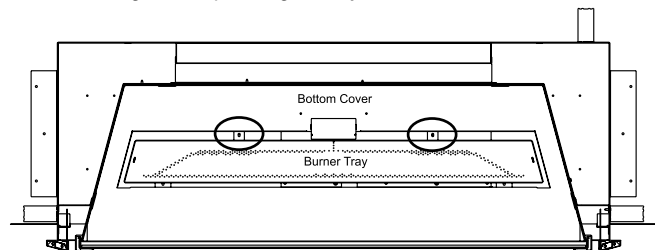


- b) Remove the 3 screws shown below at the bottom of the glass door.
  - c) Swing the door out 45° from the bottom and lift up and out.



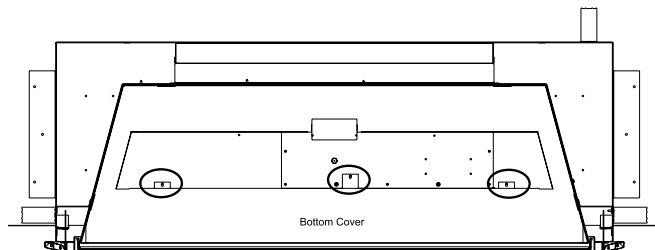
### Steps 6 & 7 for NG units only:

- 6) Remove the burner tray by undoing the 2 screws in between the bottom cover and burner on the firebox. Carefully lift the burner up and out ensuring not to spill the glass crystals.



*Aerial View of the inside of the unit shown.*

- 7) Remove bottom cover by undoing 3 screws securing it to the firebox base, lift up and out.

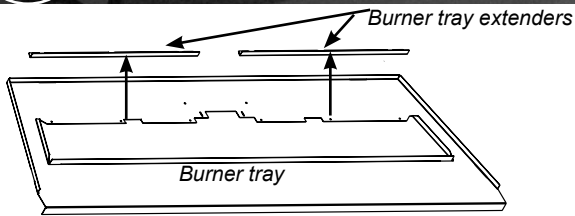
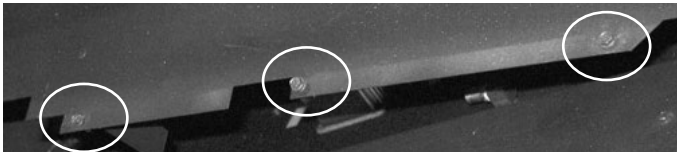


*Aerial View of the inside of the unit shown.*

# installation

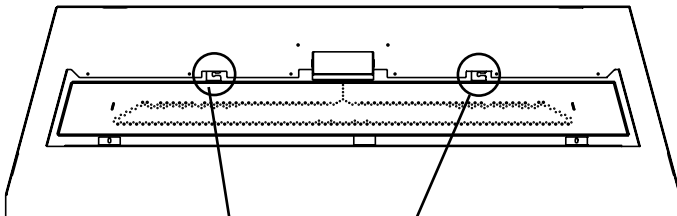
## Steps 8 to 10 for LP unit only:

- 8) Loosen 6 screws that secure the burner extenders on burner tray, located behind the burner on either side of the pilot assembly.
- 9) Lift out the 2 burner tray extenders.



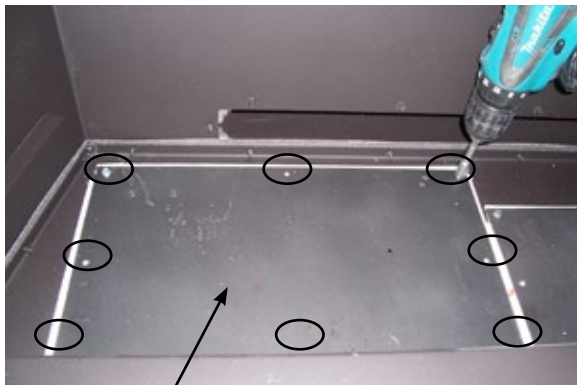
Burner tray extenders

- 10) After extenders have been removed, remove the 2 screws that secure the burner tray, at the base of the firebox.
- 11) Slide the burner to the left and lift it out.



Location of screws securing burner

- 12) Remove 8 screws to remove the fan access panel cover - located on the left hand side floor of the firebox.



Fan Access Panel

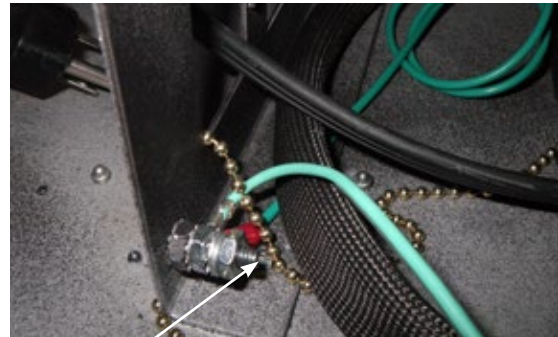
- 13) Manoeuvre the fan into position on the floor of the unit. Tilt the fan to get through the fan access panel and into position.



- 14) Secure the fan to the floor of the unit with 2 screws.

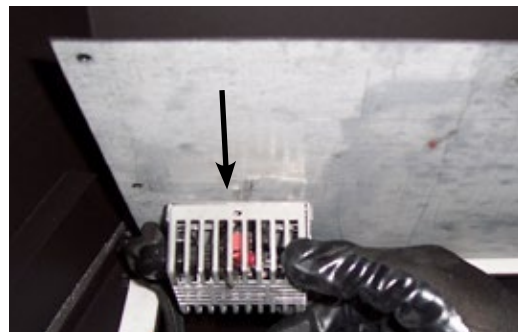


- 15) Attach the ground wire from the fan and the power cord to the ground lug in the unit. The ground lug is located just in front of the receptacle box on the left side on the floor of the unit.

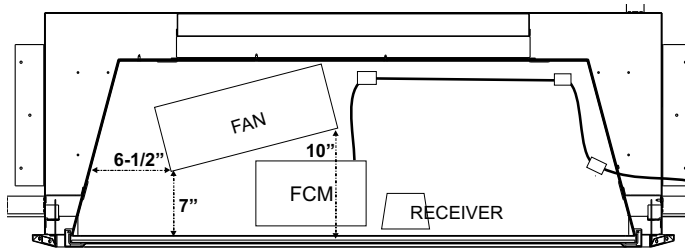


Ground Lug

- 16) Slide the thermodisc into the bracket on the bottom side of the fan access panel - check fan access panel gasket - replace if necessary.



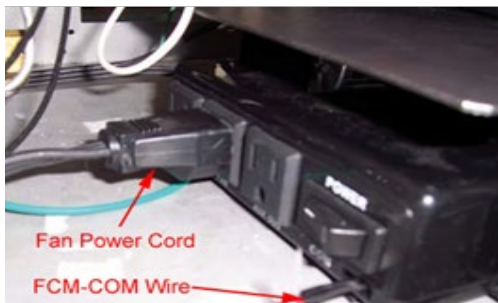
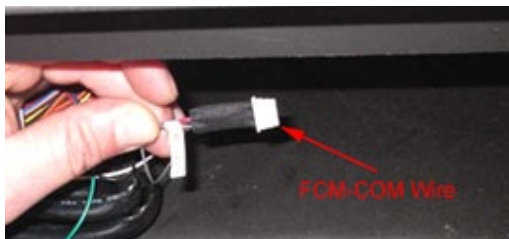
17) The fan control module (supplied with the fan kit) secures to the floor of the unit with a Velcro pad in the position shown in the drawing. Plug the fan control module into the outlet in the unit.



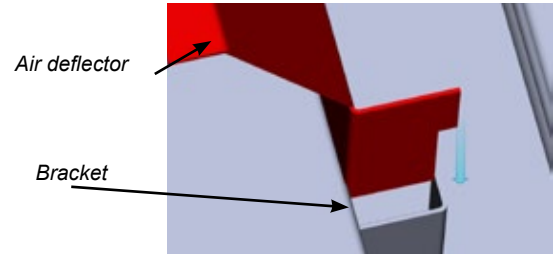
Top View



18) Plug in the fan power cord to the Fan Control Module into the outlet marked "Fan". Plug the FCM-COM wire from the remote control wiring harness into the location on the Fan Control Module marked "COM". Turn the switch on the Fan Control Module to the ON position. ON is to the left. The "O" is the off position



19) Install the fan air deflector - it hooks to 2 brackets on to the bottom lip of the unit, to the right of the receiver.



Air deflector

20) Reverse steps 12 through 1 to finish the installation.

## TO REMOVE THE FAN

- 1) Turn the power off.
- 2) Reverse the above instructions.

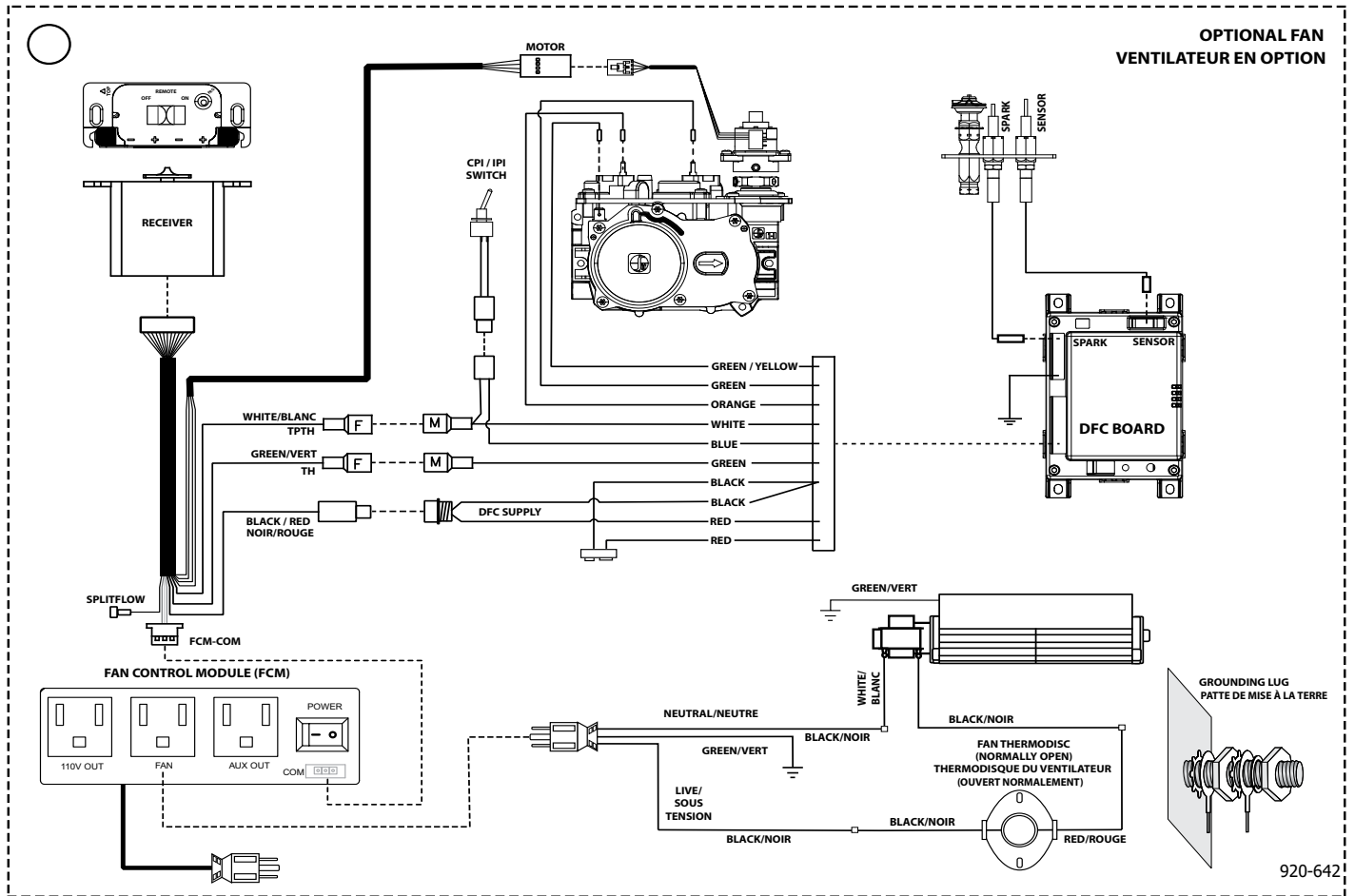
**Maintenance:** The sealed bearings are lubricated, there is no need to lubricate them further. (Extra lubricant will cause more lint and dust buildup - causing the bearings to prematurely fail). Regular cleaning and vacuuming of the fan area will add to the life of the motor.

### IMPORTANT:

These fans collect a lot of dust from within your home. Ensure you maintain these fan motors on a regular basis by vacuuming the fan blades and housing using a soft brush nozzle.

# installation

## Wiring Diagram with Optional Fan



**Caution:** Ensure that the wires do not touch any hot surfaces and are away from sharp edges.

**CAUTION:** Label all wires prior to disconnection when servicing controls. Wiring errors can cause improper and dangerous operation.

## Operating Instructions

- 1) Read and understand these instructions before operating this appliance.
- 2) Check to see that all wiring is correct and enclosed to prevent possible shock.
- 3) Check to ensure there are no gas leaks.
- 4) Make sure the glass in the glass door frame is properly positioned. Never operate the appliance with the glass removed.
- 5) Verify that the venting and cap are unobstructed.
- 6) The unit should never be turned off, and on again without a minimum of a 60 second wait.

## First Fire

The **FIRST FIRE** in your heater is part of the paint curing process. To ensure the paint is properly cured, it is recommended you burn your fireplace for at least four (4) hours the first time with the fan on.

When first operated, the unit will release an odour caused by the curing of the paint and the burning off of any oils remaining from manufacturing. Smoke detectors in the house may go off at this time. Open a few windows to ventilate the room for a couple of hours. The glass may require cleaning.

**NOTE:** When the glass is cold and the appliance is lit, it may cause condensation and fog the glass. This condensation is normal and will disappear in a few minutes as the glass heats up.

**DO NOT ATTEMPT TO CLEAN THE GLASS WHILE IT IS STILL HOT!**

**DO NOT BURN THE UNIT WITHOUT THE GLASS DOOR IN PLACE.**

**During the first few fires, a white film may develop on the glass front as part of the curing process. The glass should be cleaned after the unit has cooled down or the film will bake on and become very difficult to remove. Use a non-abrasive cleaner and DO NOT ATTEMPT TO CLEAN THE GLASS WHILE IT IS HOT.**

## Normal Operating Sounds of Gas Appliances

It is possible that you will hear some sounds from your gas appliance. This is perfectly normal due to the fact that there are various gauges and types of steel used within your appliance. Listed below are some examples. All are **normal operating sounds** and should not be considered as defects in your appliance.

### Burner Tray:

The burner tray is positioned directly under the burner and is made of a different gauge material from the rest of the firebox and body. Therefore, the varying thicknesses of steel will expand and contract at slightly different rates which can cause "ticking" and "cracking" sounds. You should also be aware that as there are temperature changes within the unit these sounds will likely re-occur. Again, this is normal for steel fireboxes.

### Pilot Flame:

While the pilot flame is on it can make a very slight "whisper" sound.

### Gas Control Valve:

As the gas control valve turns ON and OFF, a dull clicking sound may be audible, this is normal operation of a gas regulator or valve.

### Unit Body/Firebox:

Different types and thicknesses of steel will expand and contract at different rates resulting in some "cracking" and "ticking" sounds will be heard throughout the cycling process.

### Blower Thermodisc:

When this thermally activated switch turns ON it will create a small "clicking" sound. This is the switch contacts closing and is normal.

# operating instructions

## Lighting Procedure

**IMPORTANT:** The remote control system supplied with this appliance has several options for starting/operating the appliance using the power button and ON/OFF key on the hand held transmitter. Prior to operating this appliance, please read the remote control operating instructions (packaged with remote control) to understand how to operate this remote control system. Option to download remote functions video with QR code below.



Proflame video

1. Ensure the wall switch/receiver is in the remote position. (see Diagram 1).

Set Switch to Remote

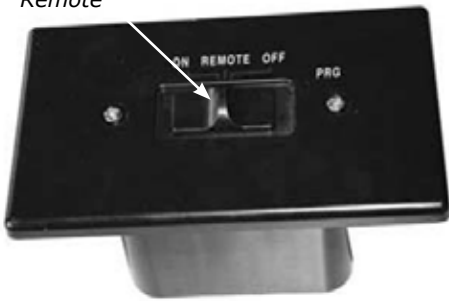


Diagram 1

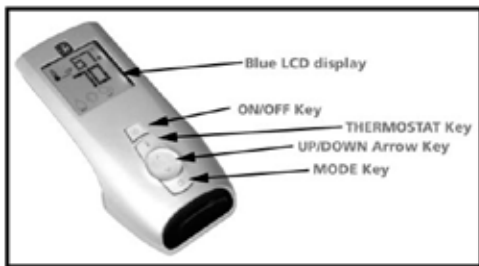
2. Press and release the ON/OFF button on the remote handheld transmitter (see Diagram 2). An audible beep should be heard from the receiver.



ON/OFF Button

Diagram 2

Remote shown in Manual Mode on Hi



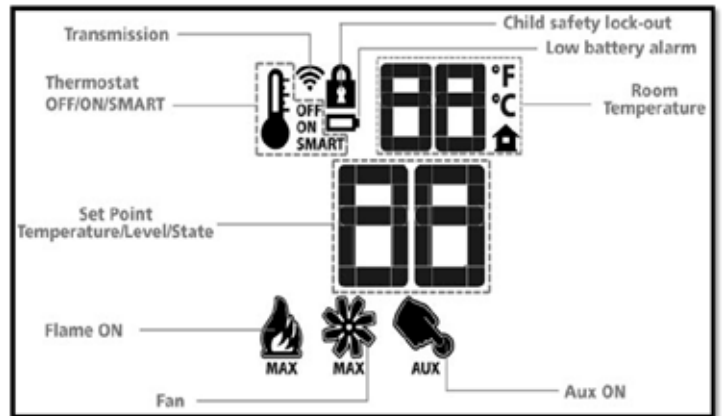
3. After approximately 4 seconds the spark ignition system will spark for 60 seconds to light the pilot.
4. The unit will turn on.

**Note:** The first try for ignition will last approximately 60 seconds. If there is no flame ignition (rectification) the board will stop sparking for approximately 35 seconds. After wait time, the board will start second try for ignition by sparking for approximately 60 seconds. If there is still no positive ignition the board will go into lock out.

The system will need to be reset as follows:

- a) Turn the system off using ON/OFF switch or press ON/OFF button - if using optional remote.
- b) After approximately 2 seconds turn on ON/OFF switch or press ON/OFF button if using optional remote.
- c) Repeat step 2.

## Shutdown Procedure



1. Turn the wall mounted switch or remote to the "OFF" position.
2. Press "OFF" on the remote control.
3. Turn the gas control knob to the "OFF" position to turn off the pilot.

**Note: May not be exactly as shown as hand-held may be silver or black.**

## Copy of Lighting Plate Instructions

**FOR YOUR SAFETY READ BEFORE LIGHTING  
POUR VOTRE SÉCURITÉ – À LIRE AVANT LA MISE EN MARCHÉ**

**WARNING:** If you do not follow these instructions exactly, a fire or explosion may result causing property damage, personal injury or loss of life. Improper installation, adjustment, alteration, service or maintenance can cause injury or property damage. Refer to the owner's information manual provided with this appliance. For assistance or additional information consult a qualified installer, service agency or gas supplier.

**AVERTISSEMENT :** Quiconque ne respecte pas scrupuleusement les instructions de la présente notice risque de déclencher un incendie ou une explosion pouvant entraîner des dégâts matériels ou des blessures pouvant être mortelles. Tout défaut d'installation, de réglage, de modification, de service ou d'entretien peut entraîner des blessures ou des dommages matériels. Reportez-vous au manuel d'utilisation fourni avec cet équipement. Pour obtenir de l'aide ou des informations complémentaires, consulter un installateur ou un service d'entretien qualifié, ou le fournisseur de gaz.

- A) This appliance is equipped with an ignition device which automatically lights the pilot.  
Do not try to light the pilot by hand.
- B) **BEFORE OPERATING** smell all around the appliance area for gas. Be sure to smell next to the floor because some gas is heavier than air and will settle on the floor.  
**WHAT TO DO IF YOU SMELL GAS**
- Do not try to light any appliance.
  - Do not touch any electric switch, do not use any phone in your building.
  - Leave the building immediately.
  - Immediately call your gas supplier from a neighbours phone. Follow the gas supplier's instructions.
  - If you cannot reach your gas supplier, call the fire department.
- C) Do not use this appliance if any part has been under water. Immediately call a qualified service technician to inspect the appliance and to replace any part of the control system and any gas control which has been underwater.
- A) Cet appareil est muni d'un dispositif d'allumage qui allume automatiquement la veilleuse.  
Ne tentez pas d'allumer la veilleuse manuellement.
- B) **AVANT LA MISE EN MARCHÉ**, reniflez tout autour de l'appareil pour détecter une odeur de gaz. Reniflez au niveau du plancher, car certains gaz sont plus lourds que l'air et peuvent s'accumuler au niveau du sol.
- QUE FAIRE SI VOUS SENTEZ UNE ODEUR DE GAZ :**
- Ne tentez pas d'allumer l'appareil
  - Ne touchez à aucun interrupteur; n'utilisez pas le téléphone se trouvant dans le bâtiment.
  - Quittez immédiatement le bâtiment.
  - Appelez immédiatement votre fournisseur de gaz depuis un téléphone extérieur. Suivez les instructions du fournisseur.
  - Si vous ne pouvez pas rejoindre le fournisseur, appelez le service incendie.
- C) N'utilisez pas cet appareil s'il a été plongé dans l'eau, même partiellement. Faites inspecter l'appareil par un technicien qualifié et remplacez tout élément du système de contrôle ou de commande qui a été plongé dans l'eau.

**CAUTION:** Hot while in operation. Do not touch. Severe burns may result. Due to high surface temperatures keep children, clothing and furniture, gasoline and other liquids having flammable vapors away. Keep burner and control compartment clean. See installation and operating instructions accompanying appliance.

**ATTENTION :** Surfaces chaudes lorsque l'appareil est en marche. Ne pas toucher. Risque de brûlures graves. En raison des températures élevées, les enfants, les vêtements et le mobilier, le carburant et tout autre liquide aux vapeurs inflammables doivent être tenus éloignés de l'appareil. Nettoyer régulièrement le brûleur et le compartiment des commandes. Voir les consignes d'installation et d'utilisation fournies avec l'appareil.

**OPERATING INSTRUCTIONS / CONSIGNES DE FONCTIONNEMENT**

- 1) **STOP!** Read the safety information above on this label.
  - 2) Ensure the Main switch is in the ON position and/or the wall mounted battery holder (if equipped) is in the <REMOTE> position.
  - 3) Press and release the ON/OFF button on the remote handheld transmitter. An audible beep should be heard from the receiver. If not using the remote, the unit can also be turned on by sliding the battery holder switch to the <ON> position (if equipped).
  - 4) After approximately 4 seconds the spark ignition system will spark for 60 seconds to light the main burner.
  - 5) The unit will turn on.  
Note: The first attempt to ignition will last approximately 60 seconds. If there is no flame ignition (rectification) the board will stop sparking for approximately 35 seconds. After this wait time, the board will start a second try for ignition by sparking for approximately 60 seconds. If there is still no positive ignition after the second attempt the board will go into lock out. The system will need to be reset as follows (after going into lock out mode):  
a) Wait 5 minutes - turn the system off by pressing the ON/OFF button on the remote.  
b) After approximately 2 seconds press the ON/OFF button again.  
c) Unit will repeat step 2.
  - 6) If the appliance will not operate, follow the instructions, "To Turn Off Gas to Appliance" and call your service technician or gas supplier. This appliance is equipped with an on-demand pilot that shuts off after seven days.
- 1) **STOP!** Lisez les instructions de sécurité sur la portion supérieure de cette étiquette.
  - 2) S'assurer que le commutateur principal est en position ON et/ou que le bloc-piles mural (le cas échéant) est en position <REMOTE>.
  - 3) Appuyer sur la touche ON/OFF de la télécommande puis relâcher. Un bip sonore retentira depuis le récepteur. Si vous n'utilisez pas la télécommande, l'appareil peut également être allumé en faisant glisser le commutateur du bloc-piles sur la position <ON> (le cas échéant).
  - 4) Après environ 4 secondes, le système d'allumage produira une étincelle pendant 60 secondes pour allumer le brûleur principal.
  - 5) L'appareil s'allumera.  
Remarque : Au premier allumage, le système tente d'allumer les flammes pendant 60 secondes. Si l'essai est infructueux, le système fera une pause de 35 secondes. C'est ce qu'on appelle l'étape de rectification. Ce délai écoulé, le système tente à nouveau d'allumer les flammes en produisant des étincelles pendant 60 secondes. Si les flammes ne s'allument toujours pas, le système se met en mode verrouillage.  
Il faut alors le réinitialiser en suivant les étapes ci-dessous (pour le déverrouiller) :  
a) Attendre 5 minutes et éteindre l'appareil en appuyant sur la touche ON/OFF de la télécommande.  
b) Attendre 2 secondes et appuyer encore une fois sur la touche ON/OFF.  
c) L'appareil répètera l'étape 2.
  - 6) Si l'appareil ne fonctionne pas, suivez les instructions "Pour couper le gaz au niveau de l'appareil" et appelez un technicien qualifié ou votre fournisseur de gaz.  
Cet appareil est équipé d'une veilleuse sur demande qui s'éteint après sept jours.

**TO TURN OFF GAS TO APPLIANCE / POUR COUPER LE GAZ AU NIVEAU DE L'APPAREIL**

- 1) Press the ON/OFF button on the remote or slide the wall mount switch to the "OFF" position.
  - 2) If service is to be performed—you must disconnect power and shut off gas to the unit.
- 1) Appuyer sur la touche ON/OFF de la télécommande ou faites glisser l'interrupteur mural sur la position "OFF".
  - 2) Lors de l'entretien de l'appareil, vous devez débrancher l'alimentation électrique et couper le gaz alimentant l'appareil.

**DO NOT REMOVE THIS INSTRUCTION PLATE**

**NE PAS ENLEVER CETTE ÉTIQUETTE D'INSTRUCTIONS**

919-649b

# maintenance

## Maintenance Instructions

- 1) Always turn off the gas valve before cleaning. For relighting, refer to lighting instructions. Keep the burner and control compartment clean by brushing and vacuuming at least once a year.
  - 2) Clean appliance and door with a damp cloth (never when unit is hot). Never use an abrasive cleaner. The glass should be cleaned with a gas fireplace glass cleaner. **The glass should be cleaned when it starts looking cloudy.**
  - 3) The faceplate is finished in a heat resistant paint and should only be refinished with heat resistant paint. Regency® uses StoveBright Paint - Metallic Black #6309.
- Note: Faceplates and inner panels made from stainless steel will naturally change color over time.**
- 4) Make a periodic check of burner for proper position and condition. Visually check the flame of the burner periodically, making sure the flames are steady; not lifting or floating. If there is a problem, call a qualified service person.
  - 5) The appliance and venting system must be inspected before use, and at least annually, by a qualified field service person, to ensure that the flow of combustion and ventilation air is not obstructed.

**Note: Never operate the appliance without the glass properly secured in place.**

- 6) Do not use this appliance if any part has been under water. Immediately call a qualified service technician to inspect the appliance and to replace any part of the control system and any gas control which has been under water.
- 7) In the event this appliance has been serviced check that the vent-air system has been properly resealed & reinstalled in accordance with the manufacturer's instructions.

- 8) Verify operation after servicing.

## General Vent Maintenance

Conduct an inspection of the venting system semi-annually. Recommended areas to inspect as follows:

- 1) Check the Venting System for corrosion in areas that are exposed to the elements. These will appear as rust spots or streaks, and in extreme cases, holes. These components should be replaced immediately.
- 2) Remove the Cap, and shine a flashlight down the Vent. Remove any bird nests, or other foreign material.
- 3) Check for evidences of excessive condensation, such as water droplets forming in the inner liner, and subsequently dripping out the joints, Continuous condensation can cause corrosion of caps, pipe, and fittings. It may be caused by having excessive lateral runs, too many elbows, and exterior portions of the system being exposed to cold weather.
- 4) Inspect joints, to verify that no pipe sections or fittings have been disturbed, and consequently loosened. Also check mechanical supports such as Wall Straps, or plumbers' tape for rigidity.

## Glass Door

Your Regency® fireplace is supplied with high temperature 5mm-Ceramic glass. If your glass requires cleaning, we recommend using an approved glass cleaner available at all authorized dealers. Do not use abrasive materials. Use part #476-540 Door Frame Assembly/includes glass.

### CAUTION & WARNINGS:

- \* Do not clean when the glass is hot.
- \* The use of substitute glass will void all product warranties.
- \* Care must be taken to avoid breakage of the glass.
- \* Do not strike or abuse the glass.
- \* Do not operate this fireplace without the glass front or with a cracked or broken glass front.
- \* Wear gloves when removing damaged or broken glass.
- \* Replacement of the glass panel(s) should be done by a licensed or qualified service person.

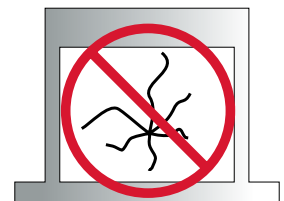
## Glass Replacement

In the event that you break your glass by impact, purchase your replacement from an authorized Regency® dealer only.

Replacement glass is shipped already installed into the door frame.

**CAUTION: Wear gloves when removing damaged or broken glass.**

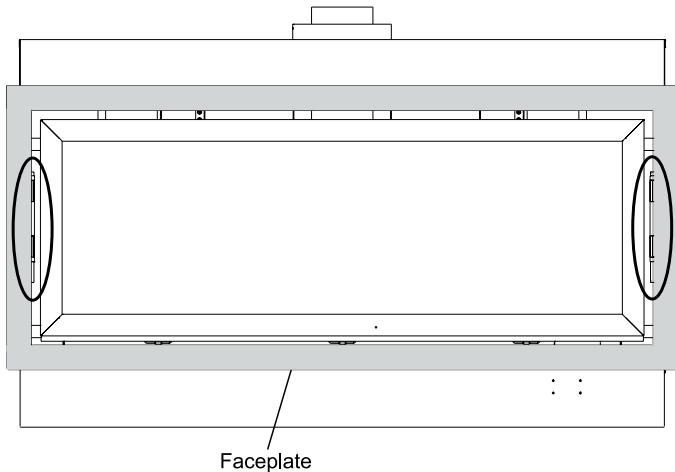
**WARNING: Do not operate the appliance with the glass panels removed, cracked or broken. Replacement of the glass panels should be done by a licensed or qualified service person.**



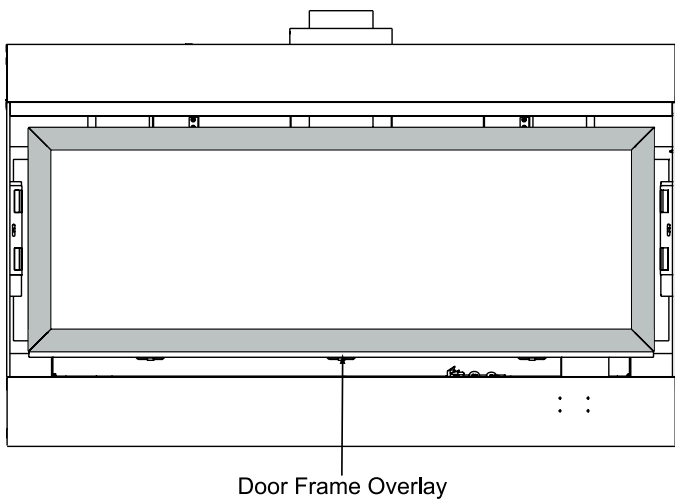


## Glass Door Removal

- 1) Turn the unit off and allow it to cool down to room temperature.
- 2) Turn off the gas supply to the unit.
- 3) Remove the faceplate by lifting it up off the hinges on the sides of the firebox.

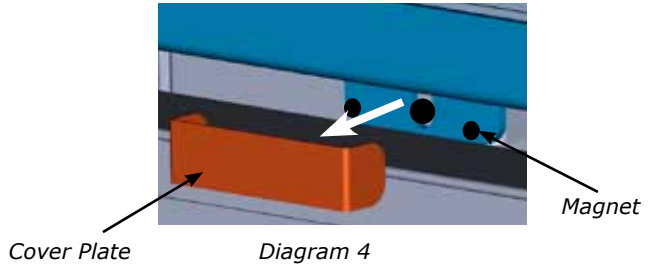


- 4) Remove the door frame overlay by swinging out 45° from the bottom and lift up and out.

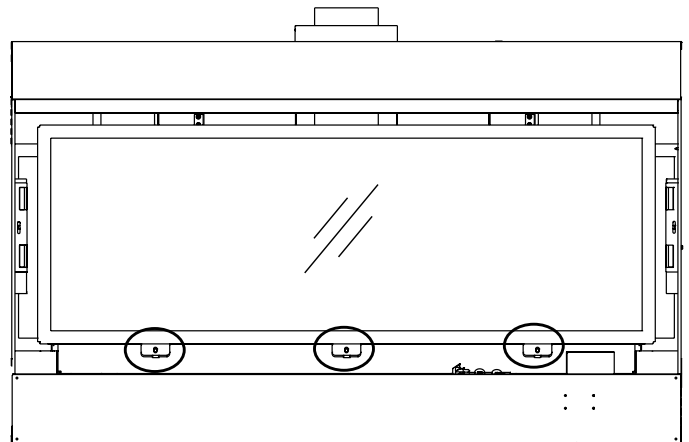


- 5) Remove the glass door.

- a) Remove cover plates from over each screw by pulling away from 2 magnets each as shown below.



- b) Remove the 3 screws shown below at the bottom of the glass door.
- c) Swing the door out 45° from the bottom and lift up and out.

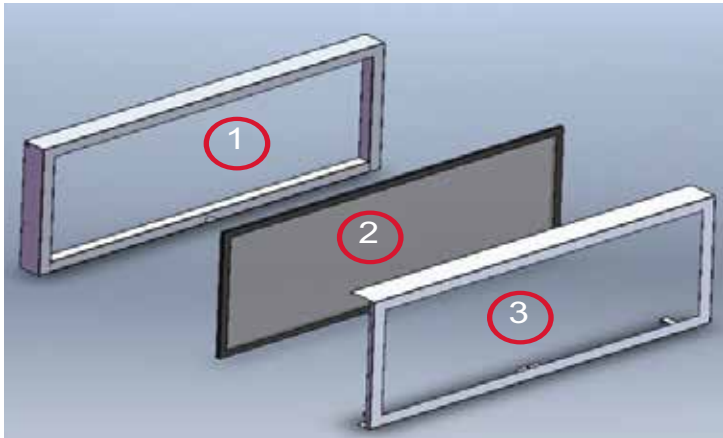


- 6) Remove valve cover - (see valve cover removal section in this manual).

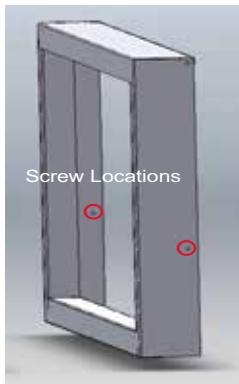
# maintenance

## Safety Screen Removal / Installation

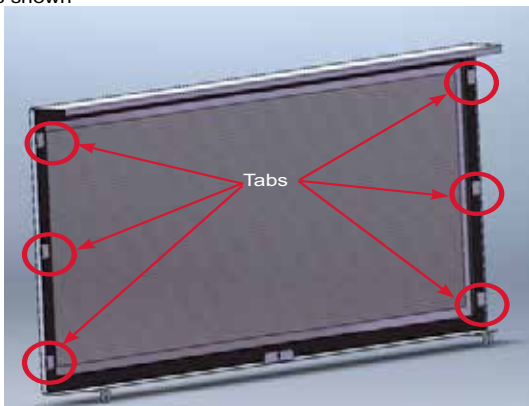
1. The inner door frame (1) and screen mesh (2) come attached to the fireplace. Remove the inner door frame (held by magnets) and screen by pulling the bottom of the frame towards you as one, then lift up.



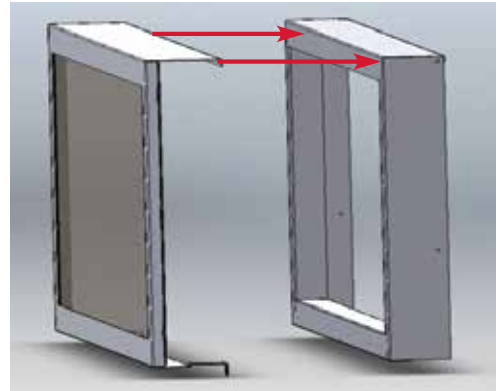
2. Remove screws from inner side of the inner door frame and discard screws and the brackets. (Brackets not shown). Remove the screen mesh from inner door frame.



3. Install screen into inner door trim (3). Secure screen by bending down the 6 tabs as shown



4. Hook the outer door frame (3) and mesh screen (2) assembly over the inner door frame.

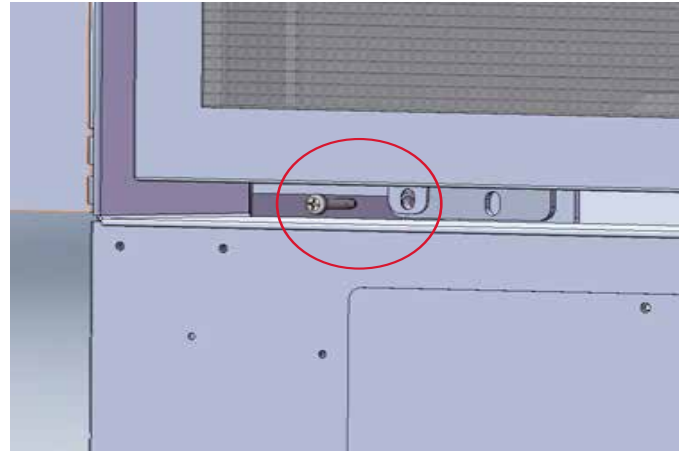


5. Bend the center tab up and secure with a screw to attach the outer frame/mesh assembly to the inner door frame



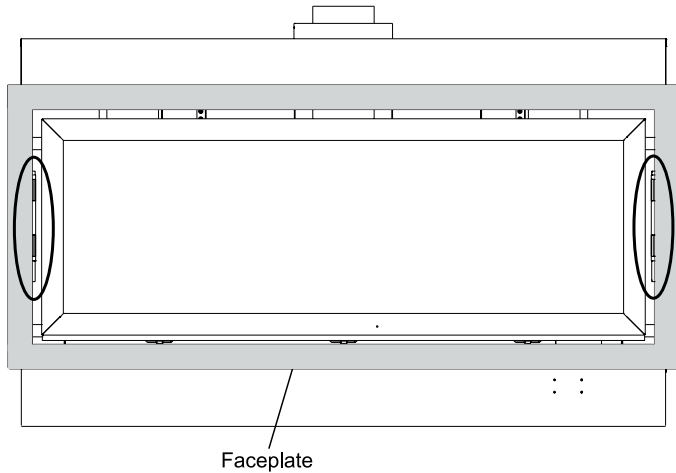
6. Attach the completed assembly to the glass frame on the fireplace.

7. Secure the assembly with screws on each side as shown below.

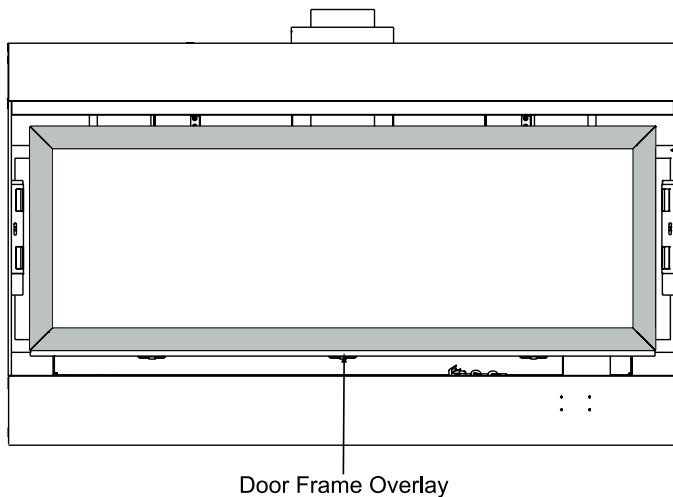


## Valve Tray Replacement

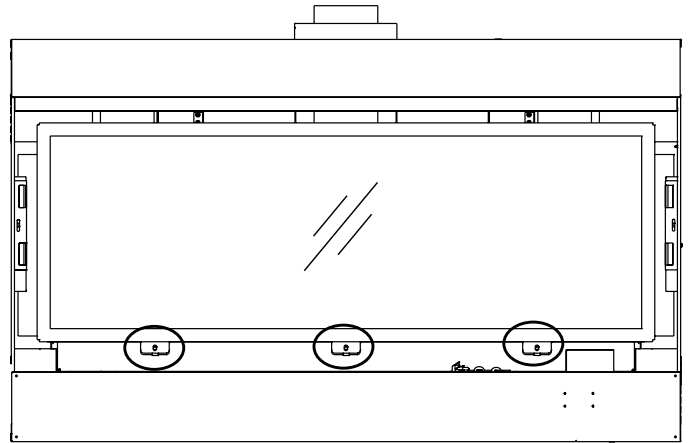
- 1) Turn the unit off and allow it to cool down to room temperature.
- 2) Turn off the gas supply to the unit.
- 3) Remove the faceplate by lifting it up off the hinges on the sides of the firebox.



- 4) Remove the door frame overlay by swinging out 45° from the bottom and lift up and out.



- 5) Remove the glass door.
  - a) Remove the 3 screws shown below at the bottom of the glass door.
  - b) Swing the door out 45° from the bottom and lift up and out.



**Note:** See next pages for specific instructions for NG / LP units.

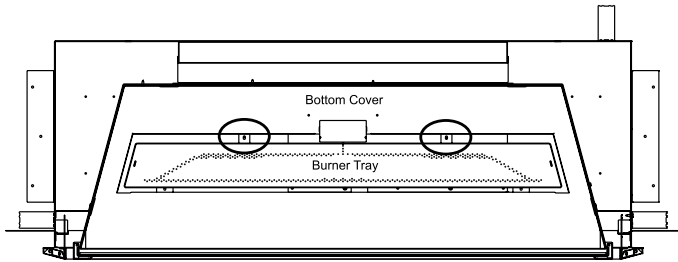
**Prior to removing burner - remove the following (if installed):**

- crystals
- pebbles
- spa stones
- logs
- Inner panels

# maintenance

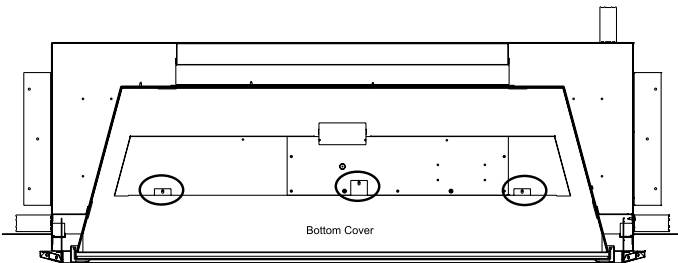
## HZ54E-NG Unit

- 1) Remove the burner tray by undoing the 2 screws in between the bottom cover and burner on the firebox. Carefully lift the burner up and out ensuring not to spill the glass crystals.



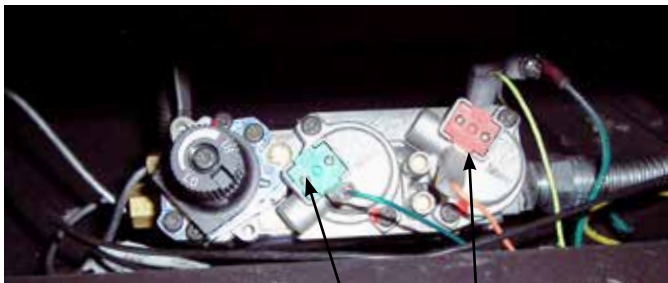
Aerial View of the inside of the unit shown.

- 2) Remove bottom cover by undoing 3 screws securing it to the firebox base, lift up and out.



Aerial View of the inside of the unit shown.

- 3) Disconnect the green and orange wires from the valve.



Green Wire Orange Wire

- 4) Disconnect the green ground wire from the valve bracket.



Green ground wire

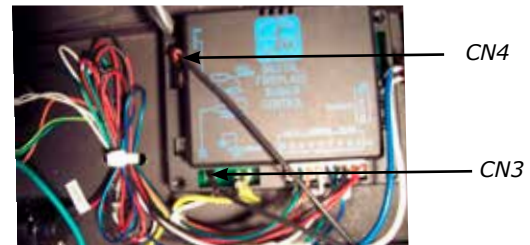
- 5) Lift out the DFBC and battery pack.



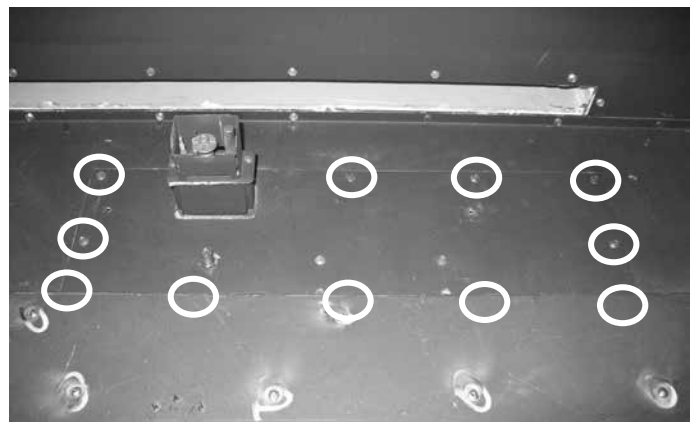
DFBC

Battery pack

- 6) Disconnect the CN4 and CN3 wires from the DFBC.



- 7) Remove the valve tray by undoing 12 screws.



- 8) Partially lift out valve tray.

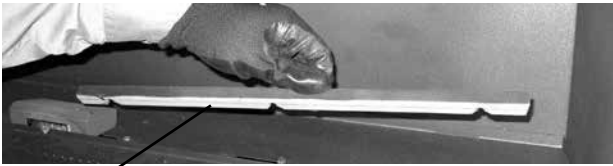
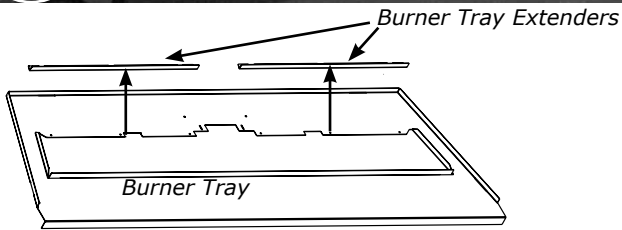
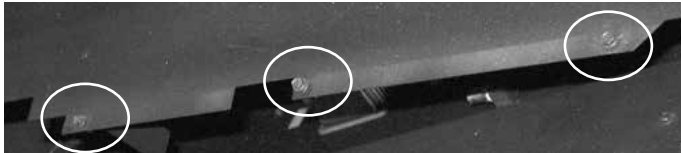
- 9) Disconnect the inlet gas line.



- 10) Replace valve and reverse steps.

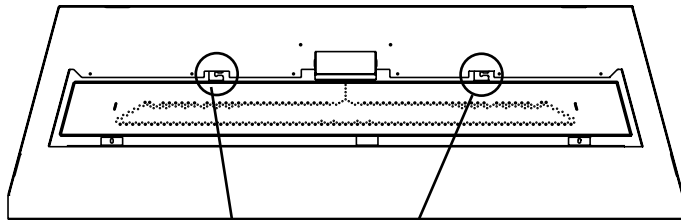
**HZ54E-LP Unit**

- 1) Loosen 6 screws that secure the burner extenders. on burner tray, located behind the burner on either side of the pilot assembly.
- 2) Lift out the 2 burner tray extenders.

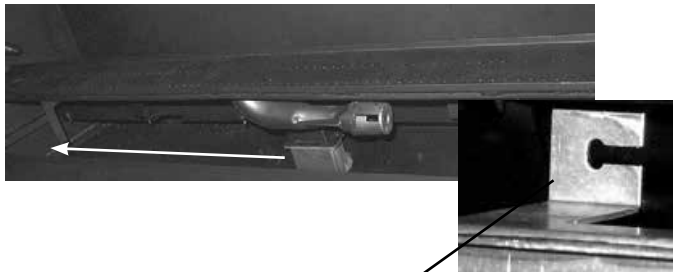


Burner Tray Extenders

- 3) After extenders have been removed, remove the 2 screws that secure the burner tray, at the base of the firebox.
- 4) Slide the burner to the left and lift it out.



Location of screws securing burner

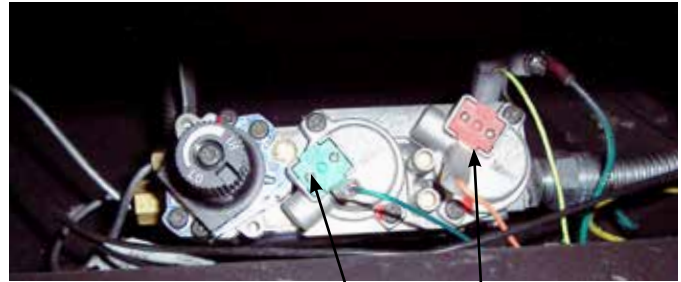


Burner Bracket

- 5) With burner removed - lift out burner tray.



- 6) Disconnect the green and orange wires from the valve.



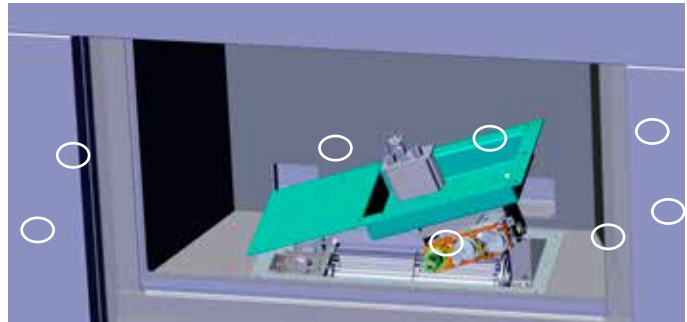
Green Wire Orange Wire

- 7) Disconnect the green ground wire from the valve bracket.



Green Ground Wire

- 8) Remove the valve tray by undoing 12 screws.



- 9) Partially lift out valve tray.

- 10) Disconnect the inlet gas line.



Gas Inlet Line

- 11) Replace valve and reverse steps.

# maintenance

## Gas Maintenance - Recommended Annual Routine

In order for your Regency appliance to continue to provide comfort to your home periodic maintenance must be performed to ensure it is operating at peak efficiency. The items in the list should be checked by a licensed gas service technician during the annual service check. Your unit may require more frequent maintenance checks if you notice any changes in how it operates. Operational changes to look for can include, but are not limited to, extended start up time, increased fan noise, residue/carbon build up, white build up on the glass/firebox, increased operating noise etc. Should any of these or other conditions arise, discontinue use and schedule a service check with your local licensed gas technician. The list below shows items your licensed service technician will need to check and service at least annually.

### Clean

- Glass
- Interior bricks / panels
- Burner ports & burner air shutter
- Fan blades
- Log set
- Pilot orifices
- Pilot hood (change as needed)
- Flame sensor (electronic ignition models)
- Flame electrode
- Burner orifice
- Thermocouple (millivolt models)
- Thermopile (millivolt models)

### Inspect

- Pilot assembly
- Burner
- Pressure relief gaskets/doors
- Flue connector gasket if present
- Door seal
- Firebox
- Venting
- Batteries (remote handheld, remote receiver, DC sparker, change as needed)
- Burner media (change as needed)
- Air shutter setting
- Wiring

### Check

- Voltage on thermocouple/thermopile (millivolt models)
- Ohms reading on flame sense (electronic ignition models)
- Inlet/outlet fuel pressures as per rating plate
- Voltage/ohms readings on gas valve
- Ohms reading to on/off switch circuit (Millivolt models)

### Gas Leak Tests

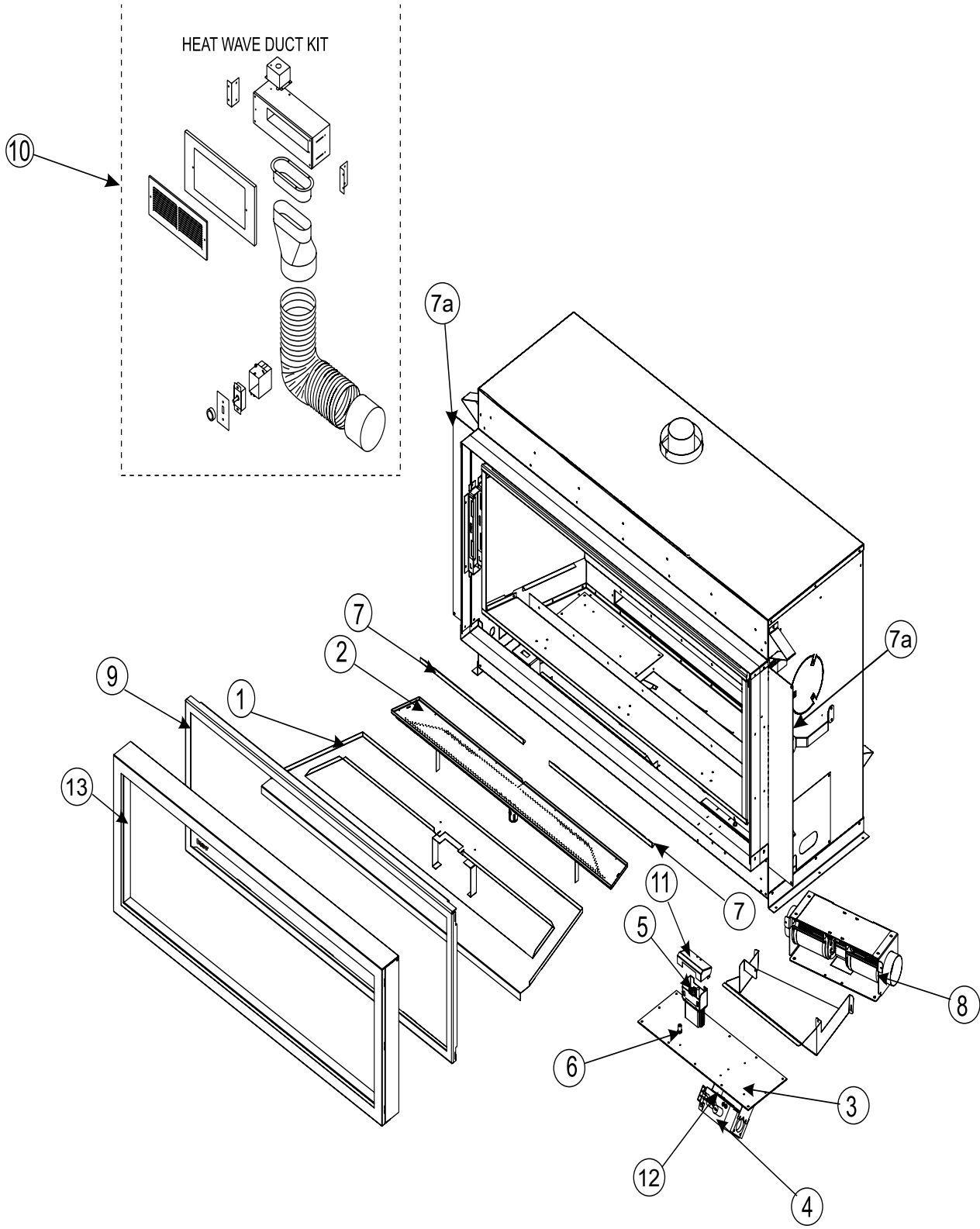
- Check main gas line connection to valve
- Check shut off valve connections
- Check connection at gas valve outlet
- Check connection at main burner orifice
- Check pilot fuel line at valve and at pilot assembly

**Main Assembly**

|    | <b>Part #</b> | <b>Description</b>                  |    | <b>Part #</b> | <b>Description</b>                                      |
|----|---------------|-------------------------------------|----|---------------|---|
| 1  | 476-151       | Bottom Cover (False Tray) NG        | 8  | 478-915       | Optional Fan  |
| 1  | 476-152       | Bottom Cover (False Tray) LP        | 9  | 476-540       | Door Frame Assembly /Includes Glass                     |
| 2  | 476-525       | Burner Assembly -NG                 | *  | 478-013       | Mesh Barrier  |
| 2  | 476-530       | Burner Assembly-LP                  | *  | 476-023       | Plate Relief Gasket                                     |
| 3  | 478-574E/P    | Valve Assembly -NG                  | *  | 476-055       | Valve Tray Gasket                                       |
| 3  | 478-776E/P    | Valve Assembly-LP                   | 10 | 946-556       | Heatwave Kit  |
| 4  | 911-084       | 885 SIT Valve - NG                  | *  | 910-036       | Pilot Orifice NG  |
| 4  | 911-085       | 885 SIT Valve - LP                  | *  | 910-037       | Pilot Orifice LP  |
| 5  | 911-276       | Pilot Assembly -NG                  | *  | 911-037       | Flame Sense   |
| 5  | 911-277       | Pilot Assembly -LP                  | *  | 911-038       | Flame Electrode   |
| 6  | 904-660       | Burner Orifice # 30 (NG)            | *  | 911-039       | 2 way pilot hood  |
| 6  | 904-431       | Burner Orifice # 49 (LP)            | *  | 910-432       | Pilot tube  |
| *  | 904-658       | Inlet Gas Flex line SS              | *  | 910-142       | Fan Thermodisc  |
| 7  | 476-101       | Burner Extenders (LP unit only)     | *  | W840470       | Gasket Pilot Assembly                                   |
| 7a | 478-010F      | LH / RH Nailing Strips              | 11 | 476-145       | Pilot Shield  |
| *  | 911-338/P     | Wall switch/Receiver                | 12 | 911-010       | Stepper Motor/Modulator - NG                            |
| *  | 911-032       | Remote Wire harness                 | 12 | 911-011       | Stepper Motor/Modulator - LP                            |
| *  | 911-013       | Valve Wiring w/ IPI/CPI Switch      |    | 920-004       | Manual  |
| *  | 911-335       | Wall Switch/Receiver Cover (White)  | 13 | 478-544       | Inner Door Frame with Magnets                           |
| *  | 911-343       | Wall Switch/Receiver Cover (Black)  | *  | 910-157/P     | Replacement Blower Motor Only                           |
| *  | 911-265       | Ignition Board                      | *  | 476-149       | Fan Cover Gasket  |
| *  | 946-721       | AC Adaptor                          | *  | 476-188       | Pilot Cover/Shield (when using Driftwood Log Set)       |
| *  | 911-175/P     | GTMF Hand Held Transmitter - Black  | *  | 476-034F      | Vent Restrictor   |
| *  | 911-030       | Fan Control Module                  | *  | 476-189       | Rear Log Brackets - each (when using Driftwood Log Set) |
| *  | 910-592       | GTMF Hand Held Transmitter - Silver |    |               |   |

\* = Not Shown

# parts list





**Accessories**

**Part # Description**

- 30) 476-908 Black Enamel Inner Panels
- 31) 478-924 Faceplate & Door Frame Overlay - Black
- 478-927 Faceplate & Door Frame Overlay - Stainless Steel
- 478-951 Verona Glass Surround Pure Black
- 478-915 Fan Kit
- 256-930/P Log Set
- 478-900 Steel Stud Framing Kit

**5 pound bag of Firebeads**

**Part # Description**

- 946-739 Black Firebeads
- 946-741 Glacier Ice Firebeads
- 946-742 Caramel Luster Firebeads

**1 pound bag of Firebeads**

**Part # Description**

- 946-735 Black Firebeads
- 946-737 Glacier Ice Firebeads
- 946-738 Caramel Luster Firebeads

**5 pound bag of Glass Crystals**

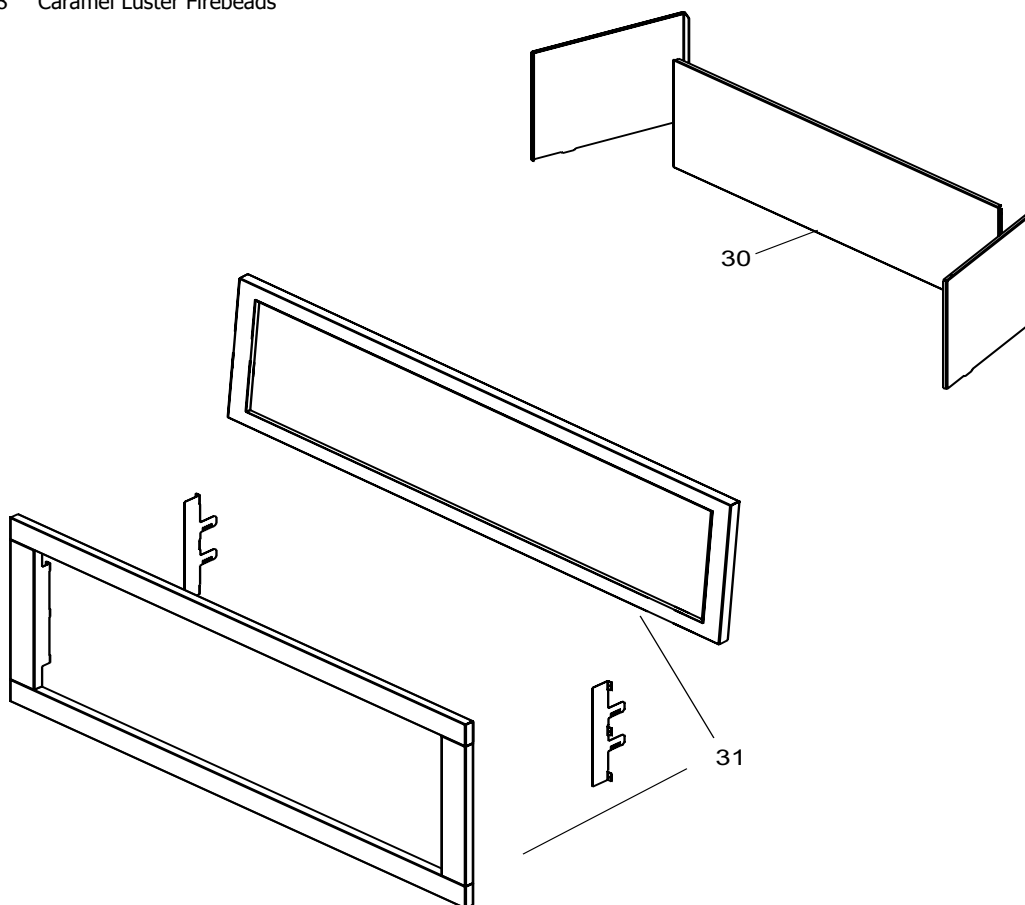
**Part # Description**

- 946-775 Black Reflective Crystals
- 946-776 Copper Crystals
- 946-777 Starfire Crystals
- 946-672 Natural River Pebbles
- 946-674 Ceramic Spa Stones
- 946-710 Volcanic Stones Slate/Grey
- 946-711 Volcanic Stones Ivory/Tan
- 946-556 Heat Wave Duct Kit
- 476-936 Non-Combustible Board 4 Pieces

**1 pound bag of Glass Crystals**

**Part # Description**

- 946-675 Black Reflective Crystals
- 946-676 Copper Crystals
- 946-677 Starfire Crystals



## Indoor Gas Product Warranty

### Limited Lifetime Warranty

FPI Fireplace Products International Ltd. (for Canadian customers) and Fireplace Products US, Inc. (for US customers) (collectively referred to herein as “FPI”) extends this Limited Lifetime Warranty to the original purchaser of this Appliance provided the product remains in the original place of installation. The items covered by this Limited Lifetime Warranty and the period of such coverage are set forth in the table below.

An Appliance in this policy is defined as an Indoor Gas Fireplace, Indoor Gas Insert, Indoor Gas Freestanding Stove.

**This Appliance has only been certified and listed for use indoors.**

This Limited Lifetime Warranty starts on the day the Appliance was purchased.

**The Limited Lifetime Warranty is not transferable, amendable or negotiable under any circumstances.**

| Indoor Gas Products<br>Warranty Coverage Parts and Labor  | Limited<br>Lifetime | 5 years | 2 years | 1 year | Subsidized Labor<br>Coverage*<br>(Years) |
|---|---------------------|---------|---------|--------|--|
| Firebox and Heat Exchanger  | ✓                   |         |         |        | 3  |
| Steel Burner Tube   | ✓                   |         |         |        | 3  |
| Glass Thermal breakage only   | ✓                   |         |         |        | 3  |
| All painted Surrounds/Inlays Finishes   |                     | ✓       |         |        | 3  |
| Brick Panels/Log sets/Ceramic Burners   |                     | ✓       |         |        | 3  |
| All Castings  |                     | ✓       |         |        | 3  |
| Valve assembly and all gas control components (Pilot assembly, flame sensors, Spark Electrode, Pilot Tubing, Orifices, Thermocouple, Thermopile)  |                     |         | ✓       |        | 2  |
| All Other Electrical components (Ignition Control Boards, Wiring, Switches, Blowers, Blower Control Module, Battery Pack, Remote Control Systems) |                     |         | ✓       |        | 2  |
| Enamel Panels   |                     |         | ✓       |        | 1  |
| Venting/Venting Components  |                     |         | ✓       |        | 1  |
| All Stainless steel surrounds<br>All black chrome Brushed nickel/Antique copper Faceplates/surrounds<br>All Inner/Outer Black Glass panels        |                     |         |         | ✓      | 1  |
| All Firebox Media (Crystals, Fire beads, Volcanic, Ceramic, Spa Stones, River Pebbles)  |                     |         |         | ✓      | 1  |
| All hardware  |                     |         |         | ✓      | 1  |
| WIFI Dongle   |                     |         |         | ✓      | 1  |
| Mesh/Glass Safety Barriers  |                     |         |         | ✓      | 1  |
| Accent Light Bulbs  |                     |         |         | ✓      | 1  |
| Glass (Crazing)   |                     |         |         | ✓      | 1  |

**Note:** Warranty coverage noted above may not be applicable as components/options vary based on appliance purchased.

### Conditions:

Warranty protects against defect in manufacture or FPI factory-assembled components only, unless herein specified otherwise.

**\*This warranty does not cover dealer travel costs, mileage, fuel, tolls for diagnostic or service work. All labor rates paid to authorized dealers are subsidized, pre-determined rates. Dealers may charge you for travel and additional time beyond their subsidy.**

Any part(s) found to be defective during the warranty period as outlined above will be repaired or replaced at FPI's option through an accredited distributor, dealer or pre-approved and assigned agent; provided that the defective part is returned to the distributor, dealer or agent for inspection if requested by FPI. Alternatively, FPI may, at its discretion, fully discharge all of its obligations under warranty by refunding the verified purchase price of the product to the original purchaser. The purchase price must be confirmed by the original Bill of Sale. **The authorized selling dealer, or an alternative authorized FPI dealer if pre-approved by FPI, is responsible for all in-field diagnosis and service work related to all warranty claims. FPI is not responsible for results or costs of workmanship of unauthorized FPI dealers or agents in the negligence of their service work.**

At all times, FPI reserves the right to inspect reported in the field/on location complaints of products claimed to be defective before processing or authorizing any claim. Failure to allow this upon request will void the warranty.

All warranty claims must be submitted by the dealer servicing the claim, including a copy of the Bill of Sale (proof of purchase by you). All claims must be complete and provide full details as requested by FPI to receive consideration for evaluation. **Incomplete claims may be rejected.**

**Replacement Appliances to the original purchaser are limited to one per warranty term.** Appliances must be installed according to all manufacturers' instructions as per the manual. All Local and National required codes must be met.

The installer is responsible for ensuring the Appliance is operating as designed at the time of installation.

The original purchaser is responsible for the annual maintenance of the Appliance, as outlined in the owner's manual. As outlined below, the warranty may be voided due to problems caused by a lack of maintenance.

Purchased parts: Repair/replacement parts purchased by the consumer from FPI after the original coverage has expired on the Appliance will carry a **90-day** warranty from the purchase date, valid with a receipt only. Any item shown to be defective will be repaired or replaced at our discretion. No labor coverage is included with these parts.

Special Finishes - One year on brushed nickel, black chrome and antique copper faceplates/surrounds. You can expect some changes in color as the product "ages" with constant heating and cooling. FPI warrants the product for any manufacturing defects on the original product. However, the manufacturer's warranty does not cover changing colors and marks, i.e. fingerprints, etc. applied after the purchase of the product. Damage from the use of abrasive cleaners is not covered by warranty.

If freight damage has been found either externally or internally, the dealer must be informed within 3 days. All claims as a result of damage must be submitted by the dealer servicing the claim, including a copy of the Bill of Sale (proof of purchase). All claims must be complete and provide full details as requested by FPI to receive consideration for evaluation. **Incomplete claims may be rejected.**

As this is a Limited Lifetime Warranty, if the Appliance needs to be replaced, the Appliance that was purchased at the time of sale might not be replaced with exactly the same model Appliance. In that case, FPI will replace your Appliance with one that is similar at the time of replacement under the terms of this Limited Lifetime Warranty, but **ONLY** in the event that an item covered by the Limited Lifetime Warranty is found to be defective. Please refer to the table on first page of this warranty for items covered by the Limited Lifetime Warranty. Product changes might be the result of the original Appliance being discontinued, changes in regulatory requirements, product advancements, etc., which are beyond the control of FPI. **This Limited Lifetime Warranty does not cover any installation costs, or costs associated with changes of required clearances for the replacement Appliance, hearth pads, mantles, facing and/or facing materials such as framing, completed walls made of drywall, wood, non-combustible board, tile, brick, stone, marble etc., venting/chimney systems, or components of the chimney system.**

If a suitable replacement is not available, FPI will refund **50%** of the purchase price of the Appliance and any applicable FPI accessories (faceplates, brick panels, media, etc.) purchased at the time of sale. **In no event will FPI refund any portion of the purchase price of, or reimburse costs associated with, any other items, including without limitation, installation of a new Appliance, changes of required clearances for a new Appliance, hearth pads, mantles, facing and/or facing materials such as framing, completed walls made of drywall, wood, non-combustible board, tile, brick, stone, marble etc., venting/chimney systems, or components of the chimney system. A copy of the receipt or bill of sale will be necessary to validate the purchase price.**

# warranty

## **Exclusions:**

This Limited Lifetime Warranty does not extend to paint, rust or corrosion of any kind due to a lack of maintenance or improper venting, combustion air provision, corrosive chemicals (i.e. chlorine, salt, air, etc.), door or glass gasketing, batteries, color fading, carbon/sooting of the log sets due to use and does not cover lava rock, platinum/glowing embers, vermiculite.

Malfunction, damage or performance-based issues as a result of environmental conditions, location, chemical damages, downdrafts, installation error, an installation by an unqualified installer, incorrect chimney components (including but not limited to cap size or type), operator error, abuse, misuse, use of improper fuels, lack of regular maintenance and upkeep, acts of God, weather-related problems from hurricanes, tornados, earthquakes, floods, lightning strikes/bolts or acts of terrorism or war, which result in a malfunction of the Appliance are not covered under the terms of this Limited Lifetime Warranty.

FPI has no obligation to enhance or modify any Appliance once manufactured (i.e. as products evolve, field modifications or upgrades will not be performed on existing Appliances).

Any Appliance showing signs of neglect or misuse will not be covered under the terms of this warranty policy and may void this warranty, including Appliances with rusted or corroded fireboxes that have not been reported as rusted or corroded within **three (3)** months of installation/purchase.

Appliances which show evidence of being operated while damaged, or with problems known to the purchaser and causing further damages will void this warranty.

Appliances where the serial no. has been altered, deleted, removed or made illegible will void this warranty.

Minor movement, expansion and contraction of the steel is normal and is not covered under the terms of this warranty.

Freight damages for products or parts are not covered under the terms of the warranty.

Products made or provided by other manufacturers and used in conjunction with the FPI Appliance without prior authorization from FPI may void this warranty.

## **Limitations of Liability:**

The original purchaser's exclusive remedy under this warranty, and FPI's sole obligation under this Limited Lifetime Warranty, express or implied, in contract or in tort, shall be limited to replacement, repair, or refund, as outlined above. IN NO EVENT WILL FPI BE LIABLE UNDER THIS WARRANTY FOR ANY INCIDENTAL OR CONSEQUENTIAL COMMERCIAL DAMAGES OR DAMAGES TO PROPERTY. TO THE EXTENT PERMITTED BY APPLICABLE LAW, FPI MAKES NO EXPRESS WARRANTIES OTHER THAN THE WARRANTY SPECIFIED HEREIN. THE DURATION OF ANY IMPLIED WARRANTY IS LIMITED TO DURATION OF THE EXPRESSED WARRANTY SPECIFIED ABOVE. IF IMPLIED WARRANTIES CANNOT BE DISCLAIMED, THEN SUCH WARRANTIES ARE LIMITED IN DURATION TO THE DURATION OF THIS WARRANTY.

Some US states do not allow limitations on how long an implied warranty lasts, or allow exclusion or limitation of incidental or consequential damages, so the above limitations or exclusions may not apply to you.

Customers located outside the US should consult their local, provincial or national legal codes for additional terms, which may apply to this warranty.

**How to Obtain Warranty Service:**

Customers should contact the authorized selling dealer to obtain warranty service. In the event the authorized selling dealer is unable to provide warranty service, please contact FPI by mail at the address listed below. Please include a brief description of the problem and your address, email and telephone contact information. A representative will contact you to make arrangements for an inspection and/or warranty service.

Canadian Warrantor:**FPI Fireplace Products International Ltd.**

6988 Venture St.  
Delta, British Columbia  
Canada, V4G 1H4

U.S. Warrantor:**Fireplace Products US, Inc.**

PO Box 2189 PMB 125  
Blaine, WA  
United States, 98231

Or contact the Regency Customer Care Centre at 1-800-442-7432 (phone) / 604-946-4349 (fax)  
/customerservice@regency-fire.com (e-mail)

**Product Registration and Customer Support:**

Thank you for choosing a Regency Fireplace. Regency strives to be a world leader in the design, manufacture, and marketing of hearth products. To provide the best support for your product, we request that you complete a product registration form at <http://www.regency-fire.com/Customer-Care/Warranty-Registration.aspx> within **ninety (90)** days of purchase.

# Warranty Registration Card



**Product Registration and Customer Support:**

Thank you for choosing a Regency Fireplace. Regency strives to be a world leader in the design, manufacture, and marketing of hearth products. To provide the best support for your product, we request that you complete a product registration form found on our Web Site under Customer Care within ninety (90) days of purchase.

For purchases made in **CANADA or the UNITED STATES:**

<http://www.regency-fire.com/Customer-Care/Warranty-Registration.aspx>

For purchases made in AUSTRALIA:

<http://www.regency-fire.com.au/Customer-Care/Warranty-Registration.aspx>

You may also complete the warranty registration form below to register your Regency Fireplace Product and mail and/or fax it back to us, and we will register the warranty for you. It is important you provide us with all the information below in order for us to serve you better.

**Warranty Registration Form (or Register online immediately at the above Web Site):**

|  |  |
|--|--|
| <b>Warranty Details</b>                |  |
| Serial Number (required):              |  |
| Purchase Date (required) (mm/dd/yyyy): |  |
| <b>Product Details</b>                 |  |
| Product Model (required):              |  |
| <b>Dealer Details</b>                  |  |
| Dealer Name (required):                |  |
| Dealer Address:                        |  |
| Dealer Phone #:                        |  |
| Installer:                             |  |
| Date Installed (mm/dd/yyyy):           |  |
| <b>Your Contact Details (required)</b> |  |
| Name:                                  |  |
| Address:                               |  |
| Phone:                                 |  |
| Email:                                 |  |

For purchases made in CANADA:

**FPI Fireplace Products International Ltd.**  
6988 Venture St.  
Delta, British Columbia  
Canada, V4G 1H4

Phone: 604-946-5155  
Fax: 1-866-393-2806

For purchases made in the UNITED STATES:

**Fireplace Products US, Inc.**  
PO Box 2189 PMB 125  
Blaine, WA  
United States, 98231

Phone: 604-946-5155  
Fax: 1-866-393-2806

For purchases made in AUSTRALIA:

**Fireplace Products Australia Pty Ltd**  
99 Colemans Road  
Dandenong South, Vic.  
Australia, 3175

Phone: +61 3 9799 7277  
Fax: +61 3 9799 7822

For fireplace care and tips and answers to most common questions please visit our Customer Care section on our Web Site. Please feel free to contact your selling dealer if you have any questions about your Regency product.

**PRODUCT LIFE CYCLE:**

By recycling your used appliances, you divert waste from your local landfills and help the environment. You also reduce the need for raw materials to manufacture new products. Contact your local municipality for appliance recycling services, local recycling programs, or appliance removal services to ensure your Regency appliance components, and packaging are properly recycled.

***Installer: Please complete the following information***

**Dealer Name & Address:** \_\_\_\_\_  
\_\_\_\_\_

**Installer:** \_\_\_\_\_

**Phone #:** \_\_\_\_\_

**Date Installed:** \_\_\_\_\_

**Serial #:** \_\_\_\_\_



*Horizon HZ54 Video*