



# Excalibur® P90E Zero Clearance Direct Vent Gas Fireplace

Owners & Installation Manual



[www.regency-fire.com](http://www.regency-fire.com)

MODELS: P90E-NG11 Natural Gas P90E-LP11 Propane

**⚠ WARNING**  
**FIRE OR EXPLOSION HAZARD**  
failure to follow safety warnings exactly could result in serious injury, death, or property damage.

- Do not store or use gasoline or other flammable vapors and liquids in the vicinity of this or any other appliance.
- **WHAT TO DO IF YOU SMELL GAS**
  - Do not try to light any appliance.
  - Do not touch any electrical switch: do not use any phone in your building. Leave the building immediately.
  - Immediately call your gas supplier from a neighbour's phone. Follow the gas supplier's instructions.
  - If you cannot reach your gas supplier, call the fire department.
- Installation and service must be performed by a qualified installer, service agency or the gas supplier.

Tested by :



Certified to/Certifié pour: CSA 2.17-2017  
ANSI Z21.88-2019  
CSA 2.33-2019


**Installer:** Please complete the details on the back cover and leave this manual with the homeowner.  
**Homeowner:** Please keep these instructions for future reference.

## owner's information

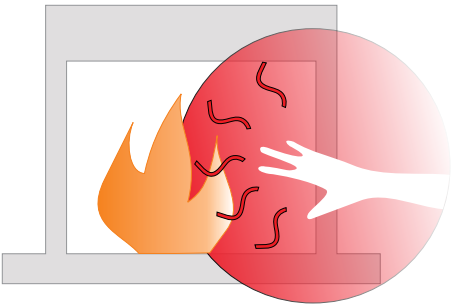
### To the New Owner:

Congratulations!

You are the owner of a state-of-the-art Excalibur® Gas Fireplace by FPI FIREPLACE PRODUCTS INTERNATIONAL LTD. The P90E-11 is a hand crafted appliance and has been designed to provide you with all the warmth and charm of a wood fireplace at the flick of a switch. The model P90E-11 has been approved by Warnock Hersey/Intertek for both safety and efficiency. As it also bears our own mark, it promises to provide you with economy, comfort and security for many trouble free years to follow. Please take a moment now to acquaint yourself with these instructions and the many features of your Excalibur® Fireplace.



# DANGER



**HOT GLASS WILL  
CAUSE BURNS**

**DO NOT TOUCH GLASS  
UNTIL COOLED**

**NEVER ALLOW CHILDREN  
TO TOUCH GLASS**

A barrier designed to reduce the risk of burns from the hot viewing glass is provided with this appliance and must be installed for the protection of children and other at risk individuals.

**CAUTION:**  
**HOT WHILE IN OPERATION. DO NOT TOUCH.**  
**SEVERE BURNS MAY RESULT. KEEP CHILDREN, CLOTHING, FURNITURE,  
GASOLINE, AND ANY OTHER LIQUIDS WITH FLAMMABLE VAPOURS AWAY.**

**KEEP BURNER AND CONTROL COMPARTMENT CLEAN.**  
**SEE INSTALLATION AND OPERATING INSTRUCTIONS ACCOMPANYING  
APPLIANCE.**

920-408



**NATIONAL  
FIREPLACE  
INSTITUTE**

**NFI**

**CERTIFIED**  
[www.nficertified.org](http://www.nficertified.org)

We recommend that our products be installed and serviced by professionals who are certified in the U.S. by the National Fireplace Institute® (NFI) or in Canada by Wood Energy Technical Training (WETT).



**Wood Energy  
Technical Training**  
[www.wettinc.ca](http://www.wettinc.ca)

## INFORMATION FOR MOBILE/MANUFACTURED HOMES AFTER FIRST SALE

This Regency® product has been tested and listed by Intertek as a Direct Vent Wall Furnace to the following standards: to Vented Gas Fireplace Heaters ANSI Z21.88-2019 • CSA 2.33-2019 and Gas-fired Appliances for Use at High Altitudes CSA 2.17-2017.

This Direct Vent System Appliance must be installed in accordance with the manufacturer's installation instructions and the Manufactured Home Construction and Safety Standard, Title 24 CFR, Part 3280, or the current Standard of Fire Safety Criteria for Manufactured Home Installations, Sites, and Communities ANSI/NFPA 501A, and with CAN/CSA Z240-MH Mobile Home Standard in Canada.

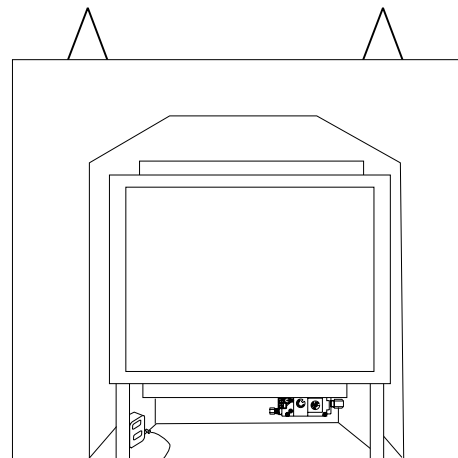
This appliance installation must comply with the manufacturer's installation instructions and local codes, if any. In the absence of local codes follow the current National Fuel Gas Code, ANSI Z223.1 and the current National Electrical Code ANSI/NFPA 70 in the U.S.A., and the current CSA B149.1 Gas Installation Code and the current Canadian Electrical Code CSA C22.1 in Canada.

This Excalibur® Mobile/Manufactured Home Listed appliance comes factory equipped with a means to secure the unit.

This Excalibur® Mobile/Manufactured Home listed appliance comes equipped with a dedicated #8 ground lug to which an 18 gauge copper wire from the steel chassis ground must be attached.

**This appliance may only be installed in an aftermarket permanently located, manufactured (mobile) home, where not prohibited by local codes.**

**This appliance is only use with the type of gas indicated on the rating plate. This appliance is not convertible for use with other gases, unless a certified kit is used.**



#8 Mobile Home Ground



# table of contents

## Owner's Information

Copy of Safety Decal for P90E-11 .....	6
Important Message .....	9
Before You Start.....	9
Lighting Procedure / Shutdown Procedure.....	10
Copy of the Lighting Plate Instructions.....	11
Proflame II Remote Control Operating Instructions .....	12

## Warranty

Warranty .....	66
----------------	----

## Installer's information

Unit Dimensions .....	5
-----------------------	---

## Installation

Information for Mobile/Manufactured Homes after First Sale...	3
Gas Installation Checklist .....	7
Proflame II Battery Holder Battery Replacement.....	16
General Safety Information .....	18
Installation Checklist.....	18
Locating Your Gas Appliance .....	19
Manufactured Mobile Home Additional Requirements .....	19
HeatWave Duct System Optional Kit .....	19
Clearances .....	19
Unit Base Standoffs .....	20
Framing and Finishing .....	20
Facing Requirement.....	21
Hearth Requirements.....	21
Combustible Mantels .....	22
Mantel Leg Clearance .....	22
Optional Framing Kit.....	23
Wall Mount On/Off Switch and Battery Holder Installation ...	24

### On Demand Pilot (seven day safety timer)

#### Important information if using the appliance in CPI (continuous pilot mode) only

This appliance is a ProFlame 2 system fitted with the "On Demand" Pilot, a safety feature which will shut down the gas valve completely by extinguishing the pilot light in the event of a continuous full seven days of inactivity. This only applies if the CPI (continuous pilot) switch is in the "on" position in your remote control transmitter.

Each time the main burner shuts down, manually or through the call from the thermostat, the seven day timer starts again.

The seven day inactivity timer is controlled within the circuit board. Therefore, if in CPI mode and when the pilot light is extinguished after seven straight days of inactivity, the CPI setting on the remote control transmitter will remain in the "CPI" (continuous pilot) position. Therefore, all that is required to relight the pilot would be to press the on/off button on the remote control transmitter from "on" to "off" and back to "on". Once the pilot has re-established operation will resume as normal. There is no requirement to do anything with the IPI/CPI mode on the remote control transmitter.

If the unit never goes as long as seven full days without a call for heat, the pilot will remain lit until it is manually shut-off.

If the unit is being operated in IPI (intermittent pilot) mode, neither the above instructions nor the seven day timer will apply.

See the instructions in this manual and on the Lighting Instructions plate on the appliance to light or re-light the pilot.

Unit Assembly Prior To Installation.....	25
Venting Introduction.....	25
Venting - FPI Direct Vent System (Flex) Horizontal Terminations Only.....	26
Exterior Vent Termination Locations.....	27
4" x 6-5/8" Rigid Pipe Cross Reference Chart.....	28
Rigid Pipe Venting Systems .....	30
Horizontal & Vertical Terminations 4"x6-5/8" Venting .....	30
Rigid Pipe Venting Arrangements - Horizontal Terminations	31
Rigid Pipe Venting Arrangements - Vertical Terminations .....	32
Horizontal Terminations .....	33
Vertical Terminations .....	34
Installation Procedures for FPI Direct Vent System.....	35
Vertical Termination 4" x 6-7/8" Venting - Vertical Flex Vent Kit (part #946-755).....	36
Vertical Flue Extension Kit (part #946-756) .....	37
Ceiling Firestop / Firestop Spacer (part #946-757).....	37
System Data .....	38
High Elevation.....	38
Gas Line Installation .....	38
Flame Pattern .....	38
Gas Pipe Pressure Testing .....	38
885 SIT Valve Description .....	38
Conversion from NG to LP .....	39
Optional Brick Panels .....	40
Log Set Installation .....	41
Glass Door Installation.....	45
Double Door Installation .....	45
Arch Surround and Safety Screen Installation .....	45
Aeration Adjustment.....	46
Wiring Diagram without Thermostat .....	47
Optional Wall Thermostat.....	48
Wiring Diagram with Optional Thermostat.....	48

## Operation

First Fire .....	49
Operating Instructions .....	49
Operation Using an Optional Wall Thermostat.....	49
Proflame II Battery Holder Battery Replacement.....	50
Normal Operating Sounds of Gas Appliances .....	51

## Maintenance

Maintenance Instructions .....	51
Flame Pattern .....	51
Maintenance Instructions.....	52
Log Replacement .....	52
Glass Gasket.....	52
Door Glass .....	52
Glass Replacement .....	52
Fan Maintenance .....	53
Valve Assembly Maintenance.....	53
Gas Appliance Maintenance.....	55

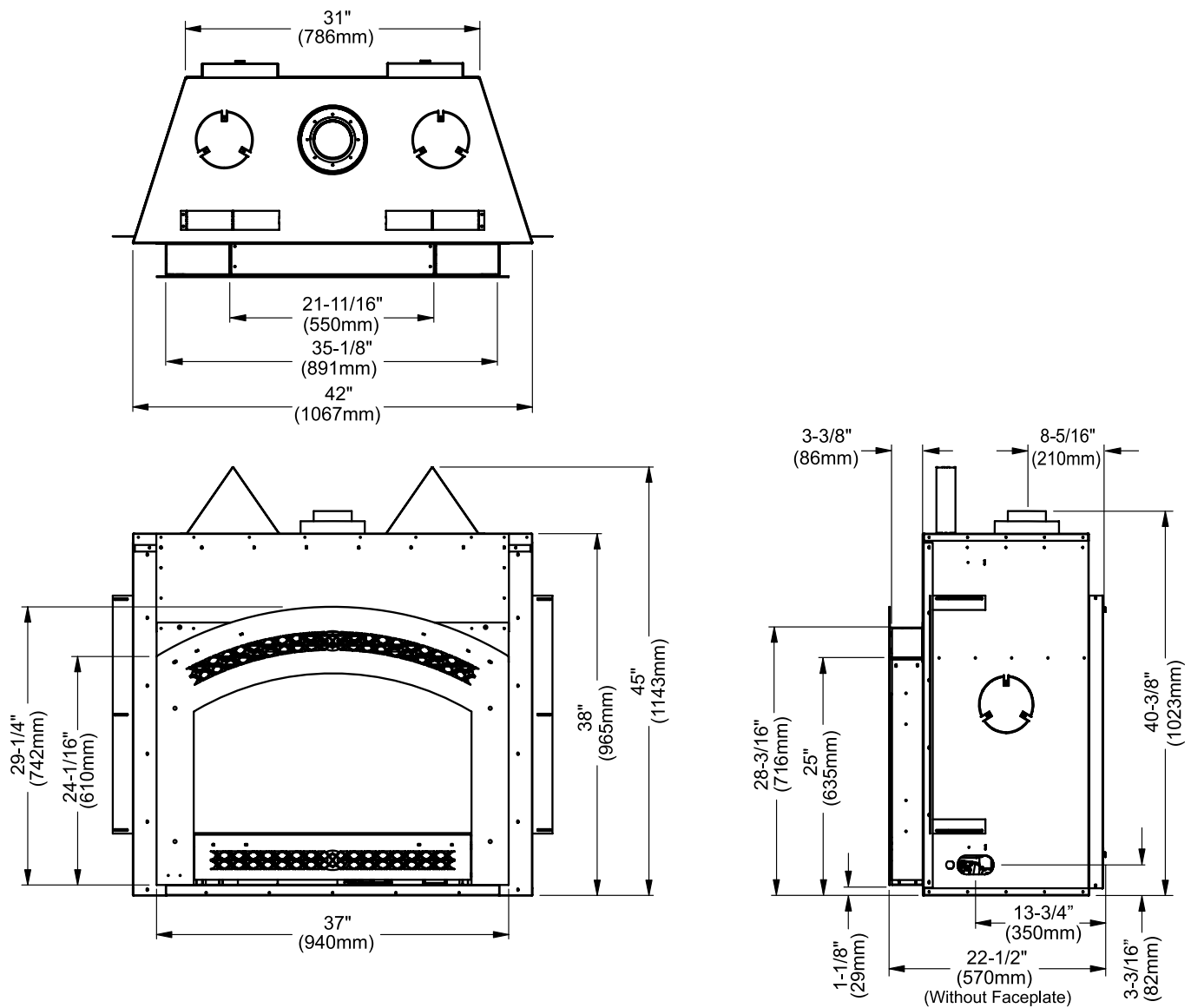
## Parts List

Main Assembly .....	56
Burner Assembly & Log Set.....	58
Arch Surround and Safety Screen Assembly.....	59

## Warranty

Warranty .....	60
Recycling .....	66

Unit Dimensions



**NOTE** Gas connection is from the righthand side of the appliance & electrical connection on lefthand side of the appliance. A metal receptacle box is supplied / installed with the appliance to make all 120 volt electrical connections.

**ALL PICTURES / DIAGRAMS SHOWN THROUGHOUT THIS MANUAL ARE FOR ILLUSTRATION PURPOSES ONLY. ACTUAL PRODUCT MAY VARY DUE TO PRODUCT ENHANCEMENTS.**




# safety decal

This is a copy of the label that accompanies each P90E-11 Zero Clearance Direct Vent Gas Fireplace. We have printed a copy of the contents here for your review. The safety label is located on the front inside base of the unit, visible when the bottom louver is open.

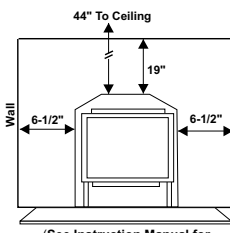
**NOTE:** Regency® units are constantly being improved. Check the label on the unit and if there is a difference, the label on the unit is the correct one.

## Copy of Safety Decal for P90E-11

DUPLICATE SERIAL NO. 496

 Intertek C #: 4001172	<p><b>Listed/Nom:</b> VENTED GAS FIREPLACE / FOYER AU GAZ À ÉVACUATION  <b>Certified/Certifié :</b> ANSI Z21.88-2019 • CSA-2.33-2019                  CSA 2.17-2017</p> <p><b>MAY BE INSTALLED IN MANUFACTURED (MOBILE) HOMES AFTER FIRST SALE.</b>                  Refer to Intertek's Directory of Building Products for detailed information.                  Pour plus de détails, se reporter au Répertoire des produits de construction de Intertek.</p>	<p><b>DO NOT REMOVE THIS LABEL / NE PAS ENLEVER CETTE ÉTIQUETTE</b>                  Serial No./ No de série</p> <div style="border: 1px solid black; padding: 2px; width: fit-content; margin-left: auto;">496</div>																												
 Model/Modèle : P90E-NG11	<p><b>NATURAL GAS: Model P90E-NG11</b></p> <table border="0" style="width: 100%;"> <tr> <td style="width: 30%;">Minimum supply pressure</td> <td style="width: 10%;">5"</td> <td style="width: 10%;">WC (1.25 kPa)</td> <td style="width: 50%;"></td> </tr> <tr> <td>Manifold pressure high</td> <td>3.5"</td> <td>WC (0.87 kPa)</td> <td></td> </tr> <tr> <td>Manifold pressure low</td> <td>1.6"</td> <td>WC (0.40 kPa)</td> <td></td> </tr> <tr> <td>Orifice size</td> <td># 34</td> <td>DMS</td> <td></td> </tr> <tr> <td>Minimum input</td> <td>23,500</td> <td>Btu/h (6.89 kW)</td> <td></td> </tr> <tr> <td>Maximum input</td> <td>35,000</td> <td>Btu/h (10.26 kW)</td> <td></td> </tr> <tr> <td>Altitude</td> <td>0-4500</td> <td>ft/pi (0-1372 m)</td> <td></td> </tr> </table>	Minimum supply pressure	5"	WC (1.25 kPa)		Manifold pressure high	3.5"	WC (0.87 kPa)		Manifold pressure low	1.6"	WC (0.40 kPa)		Orifice size	# 34	DMS		Minimum input	23,500	Btu/h (6.89 kW)		Maximum input	35,000	Btu/h (10.26 kW)		Altitude	0-4500	ft/pi (0-1372 m)		<p><b>APPAREIL FONCTIONNANT AU GAZ NATUREL</b>  <b>Modèle P90E-NG11</b></p> <p>Pression d'alimentation minimale                  Pression manifold - haute                  Pression manifold - basse                  Taille de l'orifice                  Débit calorifique minimal                  Débit calorifique maximal                  Altitude</p>
Minimum supply pressure	5"	WC (1.25 kPa)																												
Manifold pressure high	3.5"	WC (0.87 kPa)																												
Manifold pressure low	1.6"	WC (0.40 kPa)																												
Orifice size	# 34	DMS																												
Minimum input	23,500	Btu/h (6.89 kW)																												
Maximum input	35,000	Btu/h (10.26 kW)																												
Altitude	0-4500	ft/pi (0-1372 m)																												
 Model/Modèle : P90E-LP11	<p><b>PROPANE: Model P90E-LP11</b></p> <table border="0" style="width: 100%;"> <tr> <td style="width: 30%;">Minimum supply pressure</td> <td style="width: 10%;">11"</td> <td style="width: 10%;">WC (2.74 kPa)</td> <td style="width: 50%;"></td> </tr> <tr> <td>Manifold pressure high</td> <td>10"</td> <td>WC (2.49 kPa)</td> <td></td> </tr> <tr> <td>Manifold pressure low</td> <td>6.4"</td> <td>WC (1.60 kPa)</td> <td></td> </tr> <tr> <td>Orifice size</td> <td># 51</td> <td>DMS</td> <td></td> </tr> <tr> <td>Minimum input</td> <td>25,500</td> <td>Btu/h (7.47 kW)</td> <td></td> </tr> <tr> <td>Maximum input</td> <td>31,500</td> <td>Btu/h (9.23 kW)</td> <td></td> </tr> <tr> <td>Altitude</td> <td>0-4500</td> <td>ft/pi (0-1372 m)</td> <td></td> </tr> </table>	Minimum supply pressure	11"	WC (2.74 kPa)		Manifold pressure high	10"	WC (2.49 kPa)		Manifold pressure low	6.4"	WC (1.60 kPa)		Orifice size	# 51	DMS		Minimum input	25,500	Btu/h (7.47 kW)		Maximum input	31,500	Btu/h (9.23 kW)		Altitude	0-4500	ft/pi (0-1372 m)		<p><b>APPAREIL FONCTIONNANT AU GAZ PROPANE</b>  <b>Modèle P90E-LP11</b></p> <p>Pression d'alimentation minimale                  Pression manifold - haute                  Pression manifold - basse                  Taille de l'orifice                  Débit calorifique minimal                  Débit calorifique maximal                  Altitude</p>
Minimum supply pressure	11"	WC (2.74 kPa)																												
Manifold pressure high	10"	WC (2.49 kPa)																												
Manifold pressure low	6.4"	WC (1.60 kPa)																												
Orifice size	# 51	DMS																												
Minimum input	25,500	Btu/h (7.47 kW)																												
Maximum input	31,500	Btu/h (9.23 kW)																												
Altitude	0-4500	ft/pi (0-1372 m)																												

**Minimum Clearances to Combustibles**  
 Dégagements minimaux par rapport aux matériaux combustibles



**0" Clearance to combustibles from:**  
 Top, bottom, sides & rear of unit

**Mantel Clearances from Top:**  
 Min. 19" (483mm)

**Side Wall Clearance from Side Facing:**  
 6-1/2" (165mm)

**Alcove Clearances:**  
 Max. Depth 36" (914mm)  
 Min. Width 72" (1829mm)  
 Min. Height 72" (1829mm)

**Minimum Vent Clearances:**  
 Horizontal Top 2-1/2" (64mm)  
 Horizontal Side 1-1/2" (38mm)  
 Horizontal Bottom 1-1/2" (38mm)

(See Instruction Manual for Detailed Instructions)

**DOOR SEAL: Please check that the door is properly sealed**


This appliance must be installed in accordance with local codes, if any; if none, follow the National Fuel Gas Code, ANSI Z223.1, or Natural Gas and Propane Installation Code, CSA B149.1. This appliance must be installed in accordance with the Standard CAN/CSA Z240 MH, Mobile Housing, in Canada, or with the Manufactured Home Construction and Safety Standard, Title 24 CFR, Part 3280, in the United States, or when such a standard is not applicable, ANSI/NCSCS A225.1/NFPA 501A, Manufactured Home Installations Standard or ANSI A119.2 ou NFPA 501C Standard for Recreational Vehicles. This appliance is only for use with the type of gas indicated on the rating plate and may be installed in an aftermarket, permanently located, manufactured (mobile) home where not prohibited by local codes. See owner's manual for details. Optional Fan (Part #910-331) Optional Heat Wave Kit #946-556 Optional Heat Release Kit #946-570. Installer l'appareil selon les codes ou règlements locaux, ou, en l'absence de tels règlements, selon les codes d'installation ANSI Z223.1, National Fuel Gas Code ou CSA-B149.1 en vigueur. Installer l'appareil selon la norme CAN/CSA-Z240, Série MM, Maisons mobiles ou CAN/CSA-Z240 VC, Véhicules de camping, ou la norme 24 CFR Part 3280, Manufactured Home Construction and Safety Standard. Si ces normes ne sont pas pertinentes, utiliser la norme ANSI/NCSCS A225.1/NFPA 501A, Manufactured Home Installations Standard, ou ANSI A119.2 ou NFPA 501C Standard for Recreational Vehicles. Cet appareil doit être utilisé uniquement avec le type de gaz indiqué sur la plaque signalétique. Cet appareil peut être installé dans une maison préfabriquée ou mobile (E.-U. seulement) installée à demeure si les règlements locaux le permettent. Voir le manuel d'utilisation pour plus de renseignements. Cet appareil ne peut pas être utilisé avec d'autres gaz sauf si une trousse de conversion certifiée est fournie.

**This vented gas fireplace heater is not for use with air filters. Ne pas utiliser de filtre à air avec ce foyer au gaz à évacuation.**  
 For use with glass doors certified with the appliance only À utiliser uniquement avec les portes en verre certifiées avec l'appareil

**For Use Only with Barrier (Part #792-920) Follow installation instructions. Utiliser uniquement avec l'écran (pièce n° 792-920) Suivre les consignes d'installation.**

**ELECTRICAL SUPPLY/ALIMENTATION ÉLECTRIQUE:** 115V - 60HZ less than/moins de 2 AMP **FPI Fireplace Products International Ltd.**  
**Delta, BC, Canada**  
Made in Canada/ Fabriqué au Canada

**VENTED GAS FIREPLACE HEATER - NOT FOR USE WITH SOLID FUELS. CATEGORY I.**  
**FOYER AU GAZ À ÉVACUATION - NE PAS UTILISER AVEC UN COMBUSTIBLE SOLIDE. CATÉGORIE I.**

 Intertek EPS01169	CANADIAN ENERGY PERFORMANCE VERIFIED RENDÉMENT ÉNERGÉTIQUE VÉRIFIÉ CSA P.4.1 Fireplace Efficiency (FE) / Efficacité énergétique des foyers (EEF) CSA P.4.1 Natural Gas / Gaz naturel 71.36% Propane Gas / Gaz propane 72.79%	919-970a
---	--	----------

For the State of Massachusetts, installation and repair must be done by a plumber or gasfitter licensed in the Commonwealth of Massachusetts.

For the State of Massachusetts, flexible connectors shall not exceed 36 inches in length.

For the State of Massachusetts, the appliances individual manual shut-off must be a t-handle type valve.

The State of Massachusetts requires the installation of a carbon monoxide alarm in accordance with NFPA 720 and a CO alarm with battery back up in the same room where the gas appliance is installed.

### Decal location



Fold down access door by flipping down 90° once you have gained access the rating plate will be located on the left hand side (see image below).

DO NOT REMOVE DECAL FROM UNIT.



## Gas Installation Checklist

This general checklist does not contain all pertinent installation details or specifics and does not supersede the guidelines in this manual. Your Regency dealer/installer should use it in conjunction with manual instructions. Please follow all local codes and jurisdictions in authority.

<b>Customer:</b> _____	<b>Date Installed:</b> _____
<b>Install Address:</b> _____	<b>Location of Fireplace:</b> _____
<b>Serial No:</b> _____	<b>Installer:</b> _____
<b>Model No:</b> _____	
<b>Site Requirements</b>	<b>YES</b> <b>NO</b>
If applicable, are the insulation, vapour barrier, and drywall present if installed on an outside wall or chase?	
Does the area have a solid continuous base to support the unit?	
Will the area accommodate the size of the appliance and all clearances?	
Are the gas and electrical roughed into the area where the unit is being installed?	
In City & Grandview series cool wall applications, is the chase enclosure sealed to prevent heat from escaping? All hot air from the unit must exit via the mandatory ventilation openings.	
In City & Grandview applications, Is the chase enclosure vented with the mandatory heat ventilation openings? See manual for details.	
If applicable, is the masonry/factory built fireplace in its original condition with no modifications?	
If applicable, have the hearth requirements been met?	
<b>Unit Setup</b>	<b>YES</b> <b>NO</b>
If applicable, are the standoffs and top nailing flange extensions installed and at the correct depth to accommodate finishing material? See manual for details.	
If applicable, is the fireplace level and secured, meeting framing clearances? See manual for details.	
If applicable, is the unit converted to top or rear vent per manual instructions, and the insulation discarded?	
<b>Venting</b>	<b>YES</b> <b>NO</b>
Are the venting components approved for the unit installed?	
Does the venting configuration comply with venting diagrams?	
Is venting installed and secured, and are clearances for the vent pipe and termination cap maintained?	
If applicable, was a 1/4" rise maintained for every foot of horizontal run?	
Was the termination installed and sealed?	
Is the direct vent termination at the highest point in the vent assembly?	
If applicable, are both chimney liners continuous from flue collars to termination?	
<b>Electrical and Wiring</b>	<b>YES</b> <b>NO</b>
Is the appliance connected to the household's 110/120v per local codes? Check local codes for receptacle placement.	
Were the connections in the fireplace tested with a circuit tester?	
Is the appliance properly grounded?	
If applicable, is the supplied electrical/gang box affixed to the wall to facilitate the mounting of the receiver/battery box ?	
If applicable, is all electrical, Ethernet, HDMI, networking, optical, wire/cables, conduits, etc. run through the wood or steel stud work as wires/cables of any kind cannot be exposed directly above or over the fireplace?	
<b>Gas</b>	<b>YES</b> <b>NO</b>
Does the supply pressure meet the requirements shown on the rating plate?	
Was a conversion performed?	
Was a leak check performed and manifold pressures verified?	

# installation

Is the shut-off valve installed and easily accessible to the customer?		
<b>Finishing</b>	<b>YES</b>	<b>NO</b>
If applicable, is only noncombustible material installed in the noncombustible areas?		
Do clearances meet installation and manual requirements?		
Do the mantels and/or projections comply with the installation manual?		
If applicable, was the solid fuel fireplace warning plate installed?		
Is the chase enclosure fully open the full width, height and depth above the fireplace as per the requirements noted in the framing section?		
<b>Appliance Media Setup</b>	<b>YES</b>	<b>NO</b>
Do commands from the remote or wall switch light the pilot and main burner?		
Are the burner media/log set, glass door, and screen installed per instructions in the manual?		
Was the air shutter on the proper setting after running the unit for 20 minutes?		
If applicable, were the surround and trims installed according to the manual?		
Was the operation of the fan, lights (if installed), and flame modulation checked?		
<b>Customer Tutorial and Presentation</b>	<b>YES</b>	<b>NO</b>
Is the customer confident operating the new gas appliance and aware of all the features on the remote?		
Confirm that the rating and lighting plates are attached to the appliance. Do not remove.		
Was the customer informed of the location of the rating and lighting plates?		
Was accessing unit controls in a power outage explained to the customer?		
Are the model and serial numbers and the date of installation of the unit written in the manual and on the checklist?		
Were the warranty and unit registration reviewed with the customer?		
<b>Comments:</b>		



**Important Message****SAVE THESE INSTRUCTIONS**

The P90E-NG11 or P90E-LP11 Direct Vent Fireplace must be installed in accordance with these instructions. Carefully read all the instructions in this manual first. Consult the "authority having jurisdiction" to determine the need for a permit prior to starting the installation. It is the responsibility of the installer to ensure this fireplace is installed in compliance with manufacturer's instructions and all applicable codes.

**Before You Start**

Safe installation and operation of this appliance requires common sense, however, we are required by the Canadian Safety Standards and ANSI Standards to make you aware of the following:

**INSTALLATION AND REPAIR SHOULD BE DONE BY AN AUTHORIZED SERVICE PERSON. THE APPLIANCE SHOULD BE INSPECTED BEFORE USE AND AT LEAST ANNUALLY BY A PROFESSIONAL SERVICE PERSON. MORE FREQUENT CLEANING MAY BE REQUIRED DUE TO EXCESSIVE LINT FROM CARPETING, BEDDING MATERIAL, ETC. IT IS IMPERATIVE THAT CONTROL COMPARTMENTS, BURNERS AND CIRCULATING AIR PASSAGeways OF THE APPLIANCE BE KEPT CLEAN.**

**DUE TO HIGH TEMPERATURES, THE APPLIANCE SHOULD BE LOCATED OUT OF TRAFFIC AND AWAY FROM FURNITURE AND DRAPERIES.**

**WARNING: FAILURE TO INSTALL THIS APPLIANCE CORRECTLY WILL VOID YOUR WARRANTY AND MAY CAUSE A SERIOUS HOUSE FIRE.**

**CHILDREN AND ADULTS SHOULD BE ALERTED TO THE HAZARDS OF HIGH SURFACE TEMPERATURES, ESPECIALLY THE FIREPLACE GLASS, AND SHOULD STAY AWAY TO AVOID BURNS OR CLOTHING IGNITION.**



**YOUNG CHILDREN SHOULD BE CAREFULLY SUPERVISED WHEN THEY ARE IN THE SAME AREA AS THE APPLIANCE. TODDLERS, YOUNG CHILDREN AND OTHERS MAY BE SUSCEPTIBLE TO ACCIDENTAL CONTACT BURNS. A PHYSICAL BARRIERS IS RECOMMENDED IF THERE ARE AT RISK INDIVIDUAL IN THE HOUSE. TO RESTRICT ACCESS TO A FIREPLACE OR STOVE, INSTALL AN ADJUSTABLE SAFETY GATE TO KEEP TODDLERS, YOUNG CHILDREN AND OTHER AT RISK INDIVIDUALS OUT OF THE ROOM AND AWAY FROM HOT SURFACES.**

**CLOTHING OR OTHER FLAMMABLE MATERIAL SHOULD NOT BE PLACED ON OR NEAR THE APPLIANCE.**

**A BARRIER DESIGNED TO REDUCE THE RISK OF BURNS FROM THE HOT VIEWING GLASS IS PROVIDED WITH THIS APPLIANCE AND SHALL BE INSTALLED FOR THE PROTECTION OF CHILDREN AND OTHER AT-RISK INDIVIDUALS**

**ANY SAFETY SCREEN, GUARD, OR BARRIER REMOVED FOR SERVICING THE APPLIANCE, MUST BE REPLACED PRIOR TO OPERATING THE APPLIANCE.**

**IF THE BARRIER BECOMES DAMAGED, THE BARRIER SHALL BE REPLACED WITH THE MANUFACTURER'S BARRIER FOR THIS APPLIANCE.**

 **WARNING: Cancer and Reproductive Harm**  
www.P65Warnings.ca.gov

919-874

# owner's information

## Lighting Procedure

**IMPORTANT:** The remote control system supplied with this appliance has several options for starting/operating the appliance using the battery holder and ON/OFF key on the hand held transmitter. Prior to operating this appliance, please read the remote control operating instructions (packaged with remote control) to understand how to operate this remote control system.

1. Ensure the battery holder switch is in the Remote position and / or wall mounted battery holder (if equipped) is in the <REMOTE> position.
2. Press and release the ON/OFF button on the remote handheld transmitter (see Diagram 1). An audible beep should be heard from the receiver. If not using the remote, the unit can also be turned on by sliding the battery holder switch to the <ON> position (if equipped).



Diagram 1  
Remote shown in Manual Mode on Hi

3. After approximately 4 seconds the spark ignition system will spark for 60 seconds to light the pilot.
4. The unit will turn on.



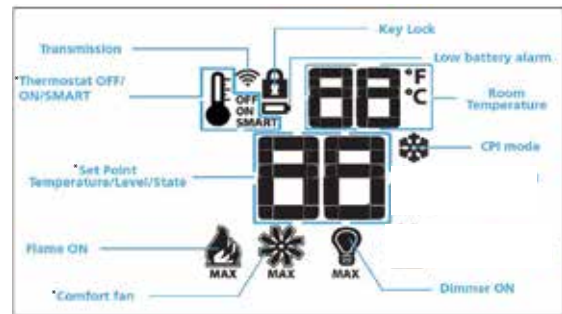
**Note:** The first try for ignition will last approximately 60 seconds. If there is no flame ignition (rectification) the board will stop sparking for approximately 35 seconds. After wait time, the board will start second try for ignition by sparking for approximately 60 seconds. If there is still no positive ignition the board will go into lock out.

The system will need to be reset as follows:

- a) Turn the system off by pressing the ON/OFF button on the remote.
- b) Wait 5 minutes then repeat from step 2.

## Shutdown Procedure

1. Press the ON/OFF button on the remote
2. If service is to be performed- you must disconnect power and shut off gas to the unit.



\* Not offered on all models.

**Fan Operation:** The standard fan can be operated by using the remote control supplied with this unit. See remote control instructions.

**Note:** In thermostat mode: When the appliance is turned on, the fan will not come on for the first 5 minutes (if fan is turned on). When the appliance is turned off the fan will not turn off for 12 minutes (if in on position)

**Manual mode:** Fan will turn on and off immediately using the remote control transmitter if the fan function is in the "on" position.

### Continuous Pilot/Intermittent Pilot (CPI/IPI) selection

See remote control instructions for details.

## On Demand Pilot (seven day safety timer)

### Important information if using the appliance in CPI (continuous pilot mode) only

This appliance is a ProFlame 2 system fitted with the "On Demand" Pilot, a safety feature which will shut down the gas valve completely by extinguishing the pilot light in the event of a continuous full seven days of inactivity. This only applies if the CPI (continuous pilot) switch is in the "on" position in your remote control transmitter.

Each time the main burner shuts down, manually or through the call from the thermostat, the seven day timer starts again.

The seven day inactivity timer is controlled within the circuit board. Therefore, if in CPI mode and when the pilot light is extinguished after seven straight days of inactivity, the CPI setting on the remote control transmitter will remain in the "CPI" (continuous pilot) position. Therefore, all that is required to relight the pilot would be to press the on/off button on the remote control transmitter from "on" to "off" and back to "on". Once the pilot has re-established operation will resume as normal. There is no requirement to do anything with the IPI/CPI mode on the remote control transmitter. If the unit never goes as long as seven full days without a call for heat, the pilot will remain lit until it is manually shut-off.

If the unit is being operated in IPI (intermittent pilot) mode, neither the above instructions nor the seven day timer will apply.

See the instructions in this manual and on the Lighting Instructions plate on the appliance to light or re-light the pilot.

## Copy of the Lighting Plate Instructions

**FOR YOUR SAFETY READ BEFORE LIGHTING**  
**POUR VOTRE SÉCURITÉ – À LIRE AVANT LA MISE EN MARCHÉ**

**WARNING: If you do not follow these instructions exactly, a fire or explosion may result causing property damage, personal injury or loss of life. Improper installation, adjustment, alteration, service or maintenance can cause injury or property damage. Refer to the owner's information manual provided with this appliance. For assistance or additional information consult a qualified installer, service agency or gas supplier.**

**AVERTISSEMENT : Quiconque ne respecte pas scrupuleusement les instructions de la présente notice risque de déclencher un incendie ou une explosion pouvant entraîner des dégâts matériels ou des blessures pouvant être mortelles. Tout défaut d'installation, de réglage, de modification, de service ou d'entretien peut entraîner des blessures ou des dommages matériels. Reportez-vous au manuel d'utilisation fourni avec cet équipement. Pour obtenir de l'aide ou des informations complémentaires, consulter un installateur ou un service d'entretien qualifié, ou le fournisseur de gaz.**

- A) This appliance is equipped with an ignition device which automatically lights the pilot.  
Do not try to light the pilot by hand.
- B) **BEFORE OPERATING** smell all around the appliance area for gas. Be sure to smell next to the floor because some gas is heavier than air and will settle on the floor.  
**WHAT TO DO IF YOU SMELL GAS**
- Do not try to light any appliance.
  - Do not touch any electric switch, do not use any phone in your building.
  - Leave the building immediately.
  - Immediately call your gas supplier from a neighbours phone. Follow the gas supplier's instructions.
  - If you cannot reach your gas supplier, call the fire department.
- C) Do not use this appliance if any part has been under water. Immediately call a qualified service technician to inspect the appliance and to replace any part of the control system and any gas control which has been underwater.
- A) Cet appareil est muni d'un dispositif d'allumage qui allume automatiquement la veilleuse.  
Ne tentez pas d'allumer la veilleuse manuellement.
- B) **AVANT LA MISE EN MARCHÉ**, reniflez tout autour de l'appareil pour détecter une odeur de gaz. Reniflez au niveau du plancher, car certains gaz sont plus lourds que l'air et peuvent s'accumuler au niveau du sol.
- QUE FAIRE SI VOUS SENTEZ UNE ODEUR DE GAZ :**
- Ne tentez pas d'allumer l'appareil
  - Ne touchez à aucun interrupteur; n'utilisez pas le téléphone se trouvant dans le bâtiment.
  - Quittez immédiatement le bâtiment.
  - Appelez immédiatement votre fournisseur de gaz depuis un téléphone extérieur. Suivez les instructions du fournisseur.
  - Si vous ne pouvez pas rejoindre le fournisseur, appelez le service incendie.
- C) N'utilisez pas cet appareil s'il a été plongé dans l'eau, même partiellement. Faites inspecter l'appareil par un technicien qualifié et remplacez tout élément du système de contrôle ou de commande qui a été plongé dans l'eau.

**CAUTION: Hot while in operation. Do not touch. Severe burns may result. Due to high surface temperatures keep children, clothing and furniture, gasoline, and other liquids having flammable vapors away. Keep burner and control compartment clean. See installation and operating instructions accompanying appliance.**

**ATTENTION : Surfaces chaudes lorsque l'appareil est en marche. Ne pas toucher. Risque de brûlures graves. En raison des températures élevées, les enfants, les vêtements et le mobilier, le carburant et tout autre liquide aux vapeurs inflammables doivent être tenus éloignés de l'appareil. Nettoyer régulièrement le brûleur et le compartiment des commandes. Voir les consignes d'installation et d'utilisation fournies avec l'appareil.**

**OPERATING INSTRUCTIONS / CONSIGNES DE FONCTIONNEMENT**

- 1) **STOP! Read the safety information above on this label.**
  - 2) Ensure the Main switch is in the ON position and/or the wall mounted battery holder (if equipped) is in the <REMOTE> position.
  - 3) Press and release the ON/OFF button on the remote handheld transmitter. An audible beep should be heard from the receiver. If not using the remote, the unit can also be turned on by sliding the battery holder switch to the <ON> position (if equipped).
  - 4) After approximately 4 seconds the spark ignition system will spark for 60 seconds to light the main burner.
  - 5) The unit will turn on.  
Note: The first attempt to ignition will last approximately 60 seconds. If there is no flame ignition (rectification) the board will stop sparking for approximately 35 seconds. After this wait time, the board will start a second try for ignition by sparking for approximately 60 seconds. If there is still no positive ignition after the second attempt the board will go into lock out. The system will need to be reset as follows (after going into lock out mode):  
a) Wait 5 minutes - turn the system off by pressing the ON/OFF button on the remote.  
b) After approximately 2 seconds press the ON/OFF button again.  
c) Unit will repeat step 2.
  - 6) If the appliance will not operate, follow the instructions, "To Turn Off Gas to Appliance" and call your service technician or gas supplier. This appliance is equipped with an on-demand pilot that shuts off after seven days.
- 1) **STOP! Lisez les instructions de sécurité sur la portion supérieure de cette étiquette.**
  - 2) S'assurer que le commutateur principal est en position ON et/ou que le bloc-piles mural (le cas échéant) est en position <REMOTE>.
  - 3) Appuyer sur la touche ON/OFF de la télécommande puis relâcher. Un bip sonore retentira depuis le récepteur. Si vous n'utilisez pas la télécommande, l'appareil peut également être allumé en faisant glisser le commutateur du bloc-piles sur la position <ON> (le cas échéant).
  - 4) Après environ 4 secondes, le système d'allumage produira une étincelle pendant 60 secondes pour allumer le brûleur principal.
  - 5) L'appareil s'allumera.  
Remarque : Au premier allumage, le système tente d'allumer les flammes pendant 60 secondes. Si l'essai est infructueux, le système fera une pause de 35 secondes. C'est ce qu'on appelle l'étape de rectification. Ce délai écoulé, le système tente à nouveau d'allumer les flammes en produisant des étincelles pendant 60 secondes. Si les flammes ne s'allument toujours pas, le système se met en mode verrouillage.  
Il faut alors le réinitialiser en suivant les étapes ci-dessous (pour le déverrouiller) :  
a) Attendre 5 minutes et éteindre l'appareil en appuyant sur la touche ON/OFF de la télécommande.  
b) Attendre 2 secondes et appuyer encore une fois sur la touche ON/OFF.  
c) L'appareil répètera l'étape 2.
  - 6) Si l'appareil ne fonctionne pas, suivez les instructions "Pour couper le gaz au niveau de l'appareil" et appelez un technicien qualifié ou votre fournisseur de gaz.  
Cet appareil est équipé d'une veilleuse sur demande qui s'éteint après sept jours.

**TO TURN OFF GAS TO APPLIANCE / POUR COUPER LE GAZ AU NIVEAU DE L'APPAREIL**

- 1) Press the ON/OFF button on the remote or slide the wall mount switch to the "OFF" position.
  - 2) If service is to be performed—you must disconnect power and shut off gas to the unit.
- 1) Appuyer sur la touche ON/OFF de la télécommande ou faites glisser l'interrupteur mural sur la position "OFF".
  - 2) Lors de l'entretien de l'appareil, vous devez débrancher l'alimentation électrique et couper le gaz alimentant l'appareil.

**DO NOT REMOVE THIS INSTRUCTION PLATE**

**NE PAS ENLEVER CETTE ÉTIQUETTE D'INSTRUCTIONS**

919-649b

## Proflame II Remote Control Operating Instructions

**IMPORTANT:** The Proflame Transmitter 2 is an integrated part of the Proflame 2 System, which consists of these elements:

- Proflame 2 Transmitter, to be used in conjunction with:
- Integrated Fireplaces Control (Proflame 2 IFC)

The Proflame 2 Transmitter provides for controlling the following hearth appliance functions:

1. Main Burner On/Off
2. Main Burner flame modulation (6 levels)
3. Choice of standing or intermittent pilot (CPI/IPI)
4. Thermostat and Smart thermostat functions
5. Accent light modulation (6 levels)\*\*
6. Split flow valve\*\*
7. Comfort Fan speed modulation (6 levels)\*\*

\*\* This feature is not available on any Hampton models.

The Proflame Transmitter uses a streamline design with a simple button layout and informative LCD display (Fig. 1). A Mode Key is provided to index between the features and a Thermostat Key is used to turn on/off or index through Thermostat functions (Fig. 1 & 2). Additionally, a Key Lock feature is provided (Fig. 22).



Figure 1: Proflame Transmitter

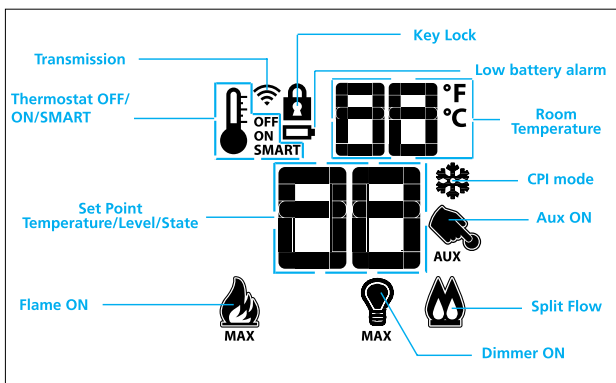


Figure 2: Transmitter LCD Display



TECHNICAL DATA REMOTE CONTROL	
Supply Voltage	4.5V (three 1.5V AAA batteries)
Ambient temperature ratings	0 - 50°C (32 - 122°F)
Radio Frequency	315 MHZ

**WARNING: THE TRANSMITTER AND IFC ARE RADIO FREQUENCY DEVICES.**

### ATTENTION!

- Turn "OFF" the main gas supply of the appliance during installation or maintenance of the IFC.
- Turn "OFF" main gas supply to the appliance prior to removing or reinserting the batteries.
- In case of remote control malfunction, turn off the IFC device using the "ON/OFF" main switch.
- For installation / maintenance, switch off the IFC device removing main power supply plug.

### OPERATING PROCEDURE

#### Pairing the remote control to remote receiver/ battery holder (if required)

Power the receiver. Press the PRG button located on the top right hand corner of receiver. The receiver will beep three times to indicate that it is ready to synchronize with a transmitter. Install the 3 AAA type batteries in the transmitter battery bay, located on the base of the transmitter (Fig. 3). With the batteries already installed in the transmitter, push the ON button. The receiver's command is accepted and sets to the particular code of that transmitter. The system is now initialized.

(\*) The receiver may be independent or integral jto the IFC hearth appliance control module. The receiver instruction may not be independent when part of the IFC.

**Note:** Only use regular alkaline batteries. Do not use rechargeable or lithium batteries.



Figure 3: Battery Compartment

### Temperature indication Display

With the system in the "OFF" position, press the Thermostat Key and the Mode Key at the same time. Look at the LCD screen on the transmitter to verify that a C or F is visible to the right of the room temperature display (Fig. 4 & 5).

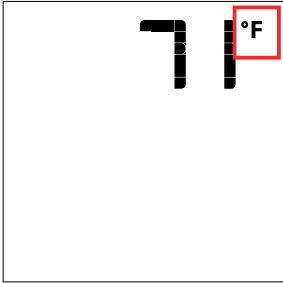


Figure 4: Remote Control display in Fahrenheit.

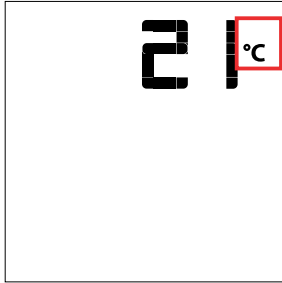


Figure 5: Remote Control display in Celsius.

### Turn on the Appliance

With the system OFF, press the ON/OFF Key on the Transmitter. The Transmitter display will show some other active Icons on the screen. At the same time the IFC will activate the appliance. A single "beep" from the IFC will confirm reception of the command.

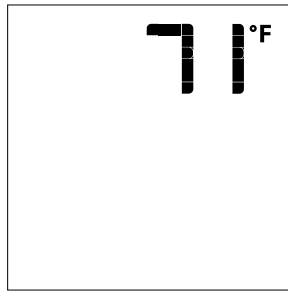


Figure 6: Remote Control display

### Turn off the Appliance

With the system ON, press the ON/OFF Key on the Transmitter. The Transmitter LCD display will only show the room temperature (Fig. 6). At the same time the IFC will turn off the appliance. A single "beep" from the IFC confirms reception of the command.

### Remote-Flame Control

The Proflame has six (6) flame levels. With the system on, and the flame level at the maximum in the appliance, pressing the Down Arrow Key once will reduce the flame height by one step until the flame is turned off. The Up Arrow Key will increase the flame height each time it is pressed. If the Up Arrow Key is pressed while the system is on but the flame is off, the flame will come on in the high position (Fig. 7 & 8). A single "beep" will confirm reception of the command.

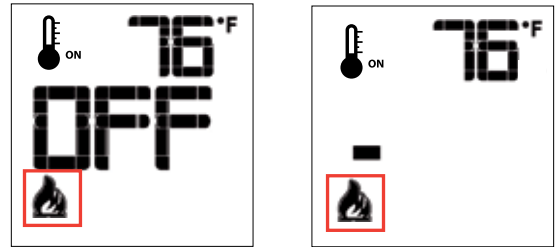


Fig. 7

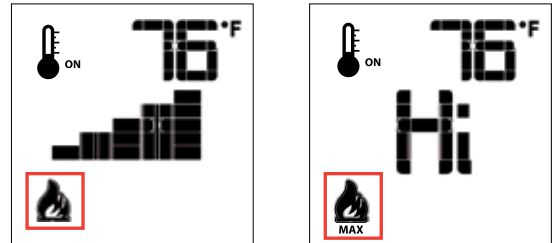


Fig. 8

### Room Thermostat (Transmitter Operation)

The Remote Control can operate as a room thermostat. The thermostat can be set to a desired temperature to control the comfort level in a room. To activate this function, press the Thermostat Key (Fig. 1). The LCD display on the Transmitter will change to show that the room thermostat is "ON" and the set temperature is now displayed (Fig. 9). To adjust the set temperature, press the Up or Down Arrow Keys until the desired set temperature is displayed on the LCD screen of the Transmitter.

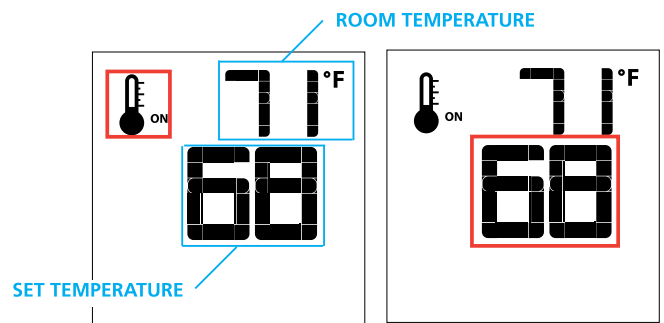


Figure 9

Figure 10

**Smart Thermostat (Transmitter Operation)**

The Smart Thermostat function adjusts the flame height in accordance to the difference between the set point temperature and the actual room temperatures. As the room temperature gets closer to the set point the Smart Function will modulate the flame down.

To activate this function, press the Thermostat Key (Fig. 1) until the word "SMART" appears to the right of the temperature bulb graphic (Fig. 11). To adjust the set temperature, press the Up or Down Arrow Keys until the desired set temperature is displayed on the LCD screen of the Transmitter (Fig. 12).

Note. When Smart Thermostat is activated, manual flame height adjustment is disabled.

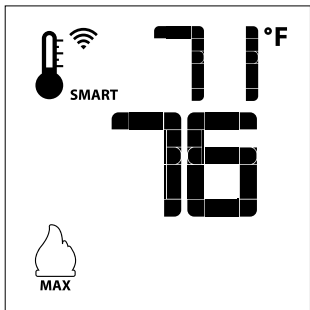


Figure 11: Smart Flame Function

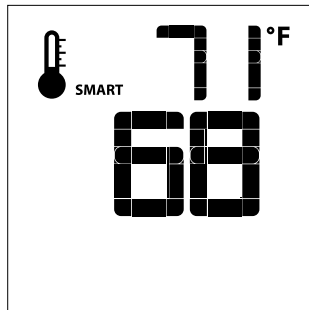


Figure 12

**Fan Speed Control\*\***

If the appliance is equipped with a hot air circulating fan, the speed of the fan can be controlled by the Proflame system. The fan speed can be adjusted through six (6) speeds. To activate this function use the Mode Key (Fig. 1) to index to the fan control icon (Fig. 13). Use the Up/Down Arrow Keys (Fig. 1) to turn on, off or adjust the fan speed (Fig. 14). A single "beep" will confirm reception of the command.



Figure 13

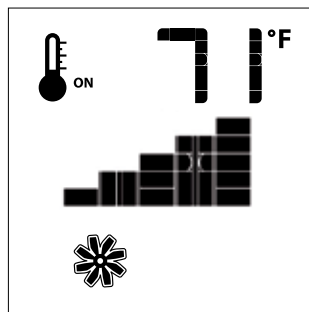


Figure 14

**Remote Dimmer Control (Light)\*\***

The auxiliary function controls the AUX power outlet by the dimmable light control. To activate this function use the Mode Key (Fig. 1) to index to the AUX icon (Fig. 15 & 16).

The intensity of the output can be adjusted through six (6) levels. Use the Up/Down Arrow Keys (Fig.1) adjust the output level (Fig. 16). A single "beep" will confirm reception of the command.

**Note:** This function is available only with the IFC Control Module.

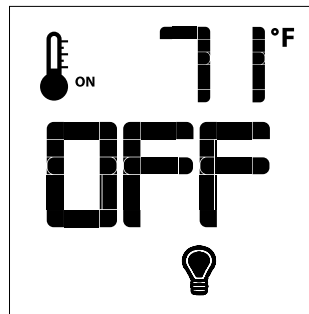


Figure 15

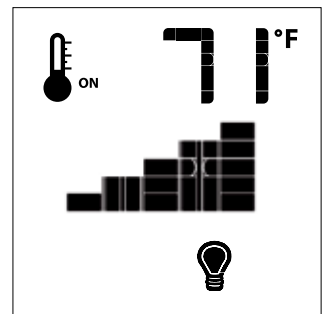


Figure 16

**Split Flow Control\*\***

The secondary burner is controlled by the split Flow. To activate this function use the Mode Key (fig. 1) to index to the SPLIT FLOW mode icon (Fig. 17 & 18).

Pressing the Up Arrow Key will activate the secondary burner. Pressing the Down Arrow Key will turn the secondary burner off. A single "beep" will confirm the reception of the command.

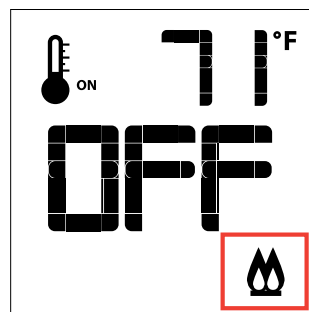


Figure 17

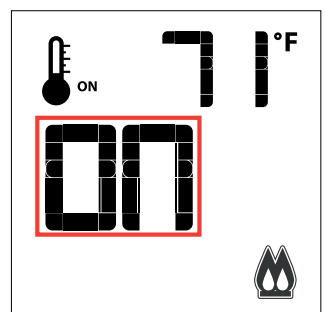


Figure 18

## Continuous Pilot/Intermittent Pilot (CPI/IPI) Selection

**Note: Power vent models do not have a Continuous Pilot option.**

With the system in "OFF" position press the Mode Key (Fig. 1) to index to the CPI mode icon (Fig. 19 & 20).

Pressing the Up Arrow Key will activate the Continuous Pilot Ignition mode (CPI). Pressing the Down Arrow Key will return to IPI. A single "beep" will confirm the reception of the command.

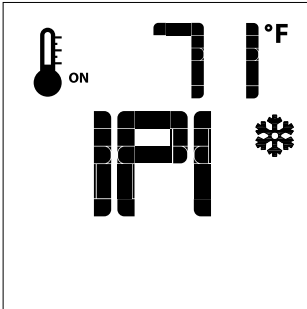


Figure 19

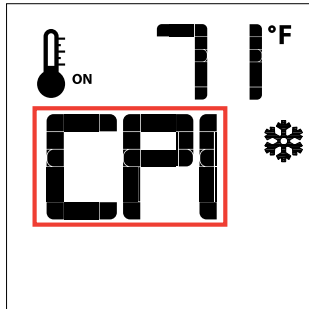


Figure 20

## CPI/IPI Switch

This appliance comes equipped with a CPI/IPI switch. The functions of both the CPI/IPI switch are as follows:

**Continuous pilot (CPI)** - A pilot that when in operation, is intended to remain continuously ignited until it is manually interrupted.

**Intermittent pilot (IPI)** - A pilot that is automatically ignited when an appliance is called on to operate and which remains continuously ignited during each period of main burner operation. The pilot is automatically extinguished when each main burner operating cycle is completed. The mode of the fireplace is easily changed from an intermittent pilot ignition system (IPI) to a continuous pilot ignition system (CPI) by using remote control as noted above.

The benefits of having as CPI are as follows:

- Keeps venting primed for trouble free start-up under colder weather conditions or inversions.
- Keeps the unit glass warm, which decreases the amount of condensation on start-up
- Provides owners with flexibility to choose a traditional continuous pilot. The primary benefit of having the IPI function is a significant savings on fuel as the pilot will only run when there is a call for heat.

**Thermostat Icon:** If the thermostat icon is not present on the remote transmitter, follow instructions noted below:

1. Remove one battery from the remote.
2. Press and hold down the Thermostat button on the remote.
3. Reinstall the battery (removed in Step 1) while still holding down thermostat button.
4. If you see "Set" the thermostat option is now enabled. If you see "Clr" the thermostat option is now disabled.
5. Repeat the procedure if the "Set" or "Clr" to remove or add the option back to the remote did not appear.

Enable all other functions if not present on the remote transmitter, follow instructions noted below:

1. Remove one battery from remote.
2. Press and hold both the **ON/OFF** and **MODE** button at the same time.
3. Reinstall battery removed in Step 1 while holding both buttons—keep holding buttons, then release the **MODE** button only.
4. The screen will show either "Clr" or "Set" as the first option available is to disable or enable a mode.

5. "Clr" will remove a mode—use the up or down arrow while holding down **ON/OFF** and **MODE** (mode icon will disappear once removed).
6. Use the **MODE** button to move to the next function.
7. "Set" will add a mode—use the up or down arrow while holding down **ON/OFF** and **MODE** (mode icon will appear when added).
8. Use the **MODE** button to move to the next function.

**Note:** You should never program out the fan (if installed) or CPI/IPI mode on the remote.

## Key Lock

This function will lock the keys to avoid unsupervised operation.

To activate this function, press the MODE and UP Keys at the same time (Fig. 21).

To de-activate this function, press the MODE and UP Keys at the same time.

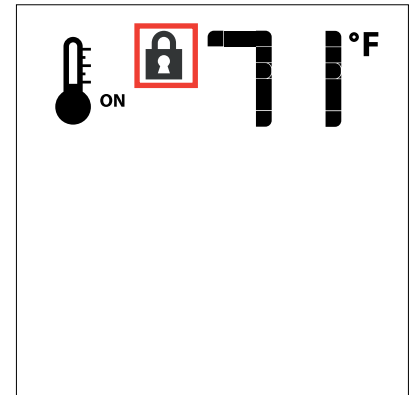


Figure 21

## Low Battery Power Detection Transmitter

The life span of the remote control batteries depends on various factors: quality of the batteries used, the number of ignitions of the appliance, the number of changes to the room thermostat set point, etc. When the Transmitter batteries are low, a Battery Icon will appear on the LCD display of the Transmitter (Fig. 22) before all battery power is lost. When the batteries are replaced this Icon will disappear.

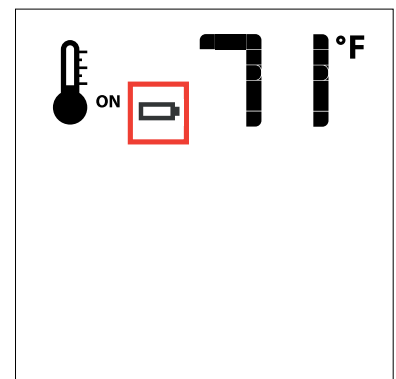


Figure 22

**Proflame II Battery Holder Battery Replacement & Battery Back Up if 120 Volt Power is lost**

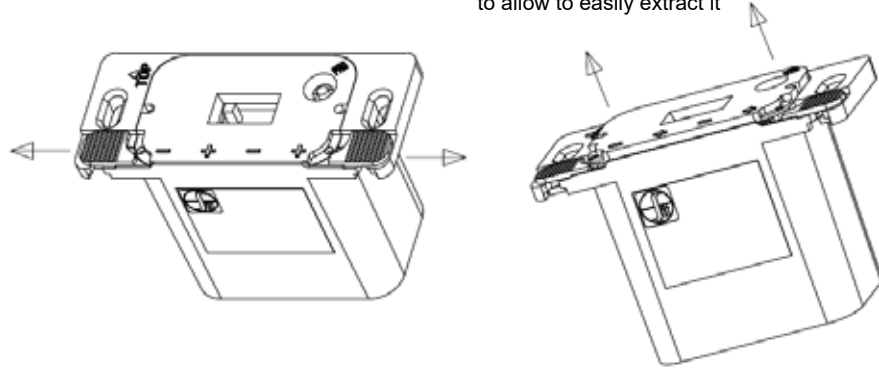
How to replace/add the batteries on battery holder (Proflame 2).

Note : If a wall switch cover plate is installed, first remove cover plate by removing 2 small phillips head screws

**STEP 1**

Move both the left/right slides as shown below.

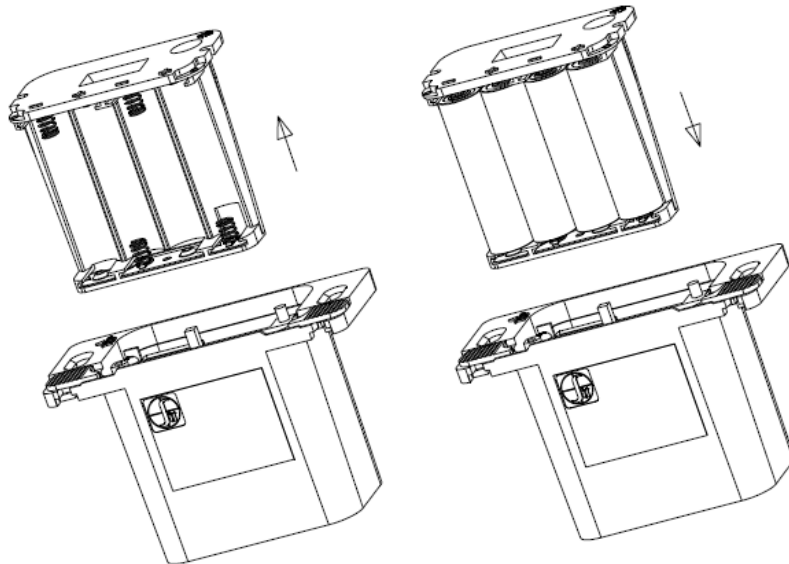
The battery compartment will be pushed out slightly, to allow to easily extract it



**STEP 2**

Extract the battery compartment from the remote receiver/battery holder

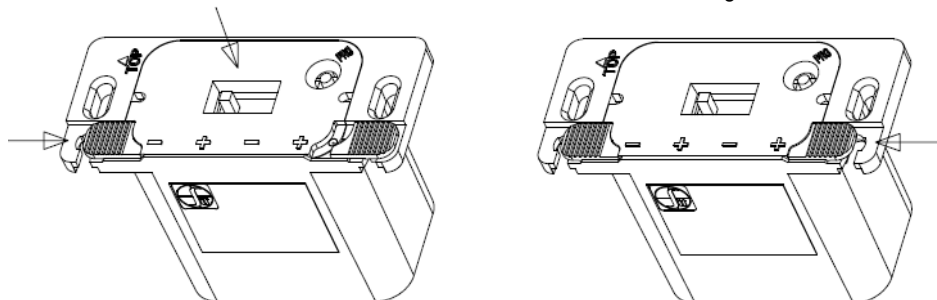
Replace 4 x AA batteries and insert the battery compartment back into remote receiver/battery holder



**STEP 3**

Keeping the battery compartment pressed in, close the left slide

Close the right slide



**STEP 4** Reinstall wall cover plate with 2 Phillips head screws.



## MA Code - CO Detector (for the State of Massachusetts only)

### 5.08: Modifications to NFPA-54, Chapter 10

(2) Revise 10.8.3 by adding the following additional requirements:

(a) For all side wall horizontally vented gas fueled equipment installed in every dwelling, building or structure used in whole or in part for residential purposes, including those owned or operated by the Commonwealth and where the side wall exhaust vent termination is less than seven (7) feet above finished grade in the area of the venting, including but not limited to decks and porches, the following requirements shall be satisfied:

1. **INSTALLATION OF CARBON MONOXIDE DETECTORS.** At the time of installation of the side wall horizontal vented gas fueled equipment, the installing plumber or gasfitter shall observe that a hard wired carbon monoxide detector with an alarm and battery back-up is installed on the floor level where the gas equipment is to be installed. In addition, the installing plumber or gasfitter shall observe that a battery operated or hard wired carbon monoxide detector with an alarm is installed on each additional level of the dwelling, building or structure served by the side wall horizontal vented gas fueled equipment. It shall be the responsibility of the property owner to secure the services of qualified licensed professionals for the installation of hard wired carbon monoxide detectors

a. In the event that the side wall horizontally vented gas fueled equipment is installed in a crawl space or an attic, the hard wired carbon monoxide detector with alarm and battery back-up may be installed on the next adjacent floor level.

b. In the event that the requirements of this subdivision can not be met at the time of completion of installation, the owner shall have a period of thirty (30) days to comply with the above requirements; provided, however, that during said thirty (30) day period, a battery operated carbon monoxide detector with an alarm shall be installed.

2. **APPROVED CARBON MONOXIDE DETECTORS.** Each carbon monoxide detector as required in accordance with the above provisions shall comply with NFPA 720 and be ANSI/UL 2034 listed and IAS certified.

3. **SIGNAGE.** A metal or plastic identification plate shall be permanently mounted to the exterior of the building at a minimum height of eight (8) feet above grade directly in line with the exhaust vent terminal for the horizontally vented gas fueled heating appliance or equipment. The sign shall read, in print size no less than one-half (1/2) inch in size, "**GAS VENT DIRECTLY BELOW. KEEP CLEAR OF ALL OBSTRUCTIONS**".

4. **INSPECTION.** The state or local gas inspector of the side wall horizontally vented gas fueled equipment shall not approve the installation unless, upon inspection, the inspector observes carbon monoxide detectors and signage installed in accordance with the provisions of 248 CMR 5.08(2)(a)1 through 4.

(b) **EXEMPTIONS:** The following equipment is exempt from 248 CMR 5.08(2)(a)1 through 4:

1. The equipment listed in Chapter 10 entitled "Equipment Not Required To Be Vented" in the most current edition of NFPA 54 as adopted by the Board; and

2. Product Approved side wall horizontally vented gas fueled equipment installed in a room or structure separate from the dwelling, building or structure used in whole or in part for residential purposes.

(c) **MANUFACTURER REQUIREMENTS - GAS EQUIPMENT VENTING SYSTEM PROVIDED.** When the manufacturer of Product Approved side wall horizontally vented gas equipment provides a venting system design or venting system components with the equipment, the instructions provided by the manufacturer for installation of the equipment and the venting system shall include:

1. Detailed instructions for the installation of the venting system design or the venting system components; and

2. A complete parts list for the venting system design or venting system.

(d) **MANUFACTURER REQUIREMENTS - GAS EQUIPMENT VENTING SYSTEM NOT PROVIDED.** When the manufacturer of a Product Approved side wall horizontally vented gas fueled equipment does not provide the parts for venting the flue gases, but identifies "special venting systems", the following requirements shall be satisfied by the manufacturer:

1. The referenced "special venting system" instructions shall be included with the appliance or equipment installation instructions; and

2. The "special venting systems" shall be Product Approved by the Board, and the instructions for that system shall include a parts list and detailed installation instructions.

(e) A copy of all installation instructions for all Product Approved side wall horizontally vented gas fueled equipment, all venting instructions, all parts lists for venting instructions, and/or all venting design instructions shall remain with the appliance or equipment at the completion of the installation.

# installation

## General Safety Information

1. The appliance installation must conform with local codes or, in the absence of local codes, with the current Canadian or National Gas Codes, CSA B149.1 or ANSI Z223.1 Installation Codes.
2. The appliance when installed, must be electrically grounded in accordance with local codes, or in the absence of local codes with the current National Electrical Code, ANSI/NFPA 70 or CSA C22.1 Canadian Electrical Code.
3. See general construction and assembly instructions. The appliance and vent should be enclosed.
4. This appliance must be connected to the specified vent and termination cap to the outside of the building envelope. Never vent to another room or inside a building. Make sure that the vent is fitted as per Venting instructions.
5. Inspect the venting system annually for blockage and any signs of deterioration.
6. Venting terminals shall not be recessed into a wall or siding.
7. Any safety glass removed for servicing must be replaced prior to operating the appliance.
8. To prevent injury, do not allow anyone who is unfamiliar with the operation to use the fireplace.
9. Wear gloves and safety glasses for protection while doing required maintenance.
10. Be aware of electrical wiring locations in walls and ceilings when cutting holes for termination.
11. Under no circumstances should this appliance be modified. Parts that have to be removed for servicing should be replaced prior to operating this appliance.
12. Installation and any repairs to this appliance should be done by a qualified service person. A professional service person should be called to inspect this appliance annually. Make it a practice to have all of your gas appliances checked annually.
13. Do not slam shut or strike the glass door.
14. Under no circumstances should any solid fuels (wood, paper, cardboard, coal, etc.) be used in this appliance.
15. The appliance area must be kept clear and free of combustible materials, (gases and other flammable vapours and liquids).

## Installation Checklist

1. Locate appliance, refer to the following sections:
  - a) Locating Your Gas Fireplace
  - b) Combustible Mantels
  - c) Unit Base Standoffs
  - d) Framing & Finishing
  - e) Facing Requirements
  - f) Hearth Requirements
  - g) Venting
2. Assemble Top Standoffs, page 9. (Refer to the "Unit Assembly Prior to Installation" section.)  
NOTE: must be done before installing unit into fireplace.
3. Install vent, refer to the "Venting" section.
4. Wire 120 volt AC power to the supplied receptacle box located on the lower lefthand side of the appliance. The Duplex receptacle and receptacle cover are included in the manual package.

**NOTE** Though this heater does not require 120 volt AC supply for burner operation, it is recommended as a primary power source and is required for the standard blower. Batteries should only be used as a secondary power source when power is lost within the home.
5. Install the junction box supplied with the appliance. Install the remote receiver inside the junction box. Hook the receiver to the wire marked "receiver". Install 4 AA batteries inside the receiver to enable operation of the burner.
6. Make gas connections. Test the pilot. Must be as per diagram. Refer to the "Pilot Adjustment" section.
6. Install standard and optional features. Refer to the following sections where applicable:
  - a. Brick Panels
  - b. Log Set Installation
  - c. Arch Surround
  - d. Glass Door Installation
  - e. Remote battery box  
(See instructions in manual)
8. Plug three-prong plug from IFC (Intermittent Fireplace Control) into 120 volt receptacle.

Before leaving this unit with the customer, the installer must ensure that the appliance is firing correctly and **operation fully explained to customer.**

## This includes:

1. Locking the appliance to ensure the correct firing rate (rate noted on label 35,000 Btu/h) after burning appliance for 15 minutes.
2. If required, adjusting the primary air to ensure that the flame does not carbon. First allow the unit to burn for 15-20 min. to stabilize.

**CAUTION: Any alteration to the product that causes sooting or carboning that results in damage is not the responsibility of the manufacturer.**

## Locating Your Gas fireplace

1. When selecting a location for your fireplace, ensure that the clearances outlined on this page are met.
2. Provide adequate clearances for servicing.
3. The appliance must be installed on a flat, solid, continuous surface (e.g. wood, metal, concrete). This may be the floor, or raised up on a platform to enhance its visual impact. If the appliance is going to be installed on carpeting, combustible linoleum tile or other combustible material other than wood flooring, the appliance must be installed on a metal or wood panel extending the full width and depth of the appliance.
4. The P90E-11 Direct Vent Gas Fireplace can be installed in a recessed position or framed out into the room as in A, B, C, D. See Diagram 1.

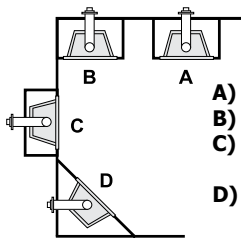


Diagram 1

5. This appliance is Listed for bedroom installations when used with a Listed Millivolt Thermostat. Some areas may have further requirements, check local codes before installation.
6. The P90E-11 Direct Vent Gas Fireplace is approved for alcove installations, which meet the clearances listed on this page.
7. We recommend that you plan your installation on paper using exact measurements for clearances and floor protection before actually installing this appliance. Have a qualified inspector, dealer, or installer review your plans before installation.

**Note:** For vent terminations see the "Exterior Vent Termination Locations" section.

## Manufactured Mobile Home Additional Requirements

1. Ensure that structural members are not cut or weakened during installation.
2. Ensure proper grounding using the #8 ground lug provided. See the "Wiring Diagram" section.



## HeatWave Duct System Optional Kit #946-556

The **HeatWave** Air Duct Kit increases the effectiveness of your fireplace by dispersing warm air from the fireplace to remote locations in the same room or other rooms in your home.

Up to two kits may be installed on the fireplace. **Please Note:** Only 1 HeatWave kit may be operated at one time. This includes the internal blower option as well.

## Clearances

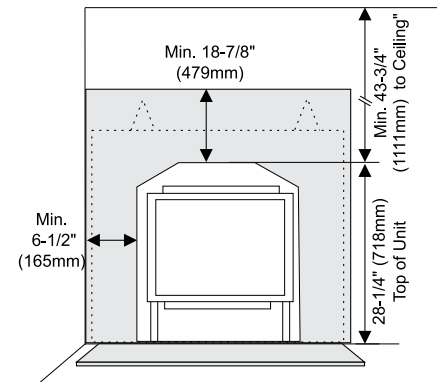
The clearances listed are Minimum distances unless otherwise stated:

**A major cause of chimney related fires is failure to maintain required clearances (air space) to combustible materials. It is of the greatest importance that this fireplace and vent system be installed only in accordance with these instructions.**

### Clearance to Combustibles from:

<b>Back</b>	0"	(0mm)
<b>Side</b>	0"	(0mm)
<b>Floor</b>	0"	(0mm)
<b>(below firebox base)</b>		

**NOTE: The minimum floor clearance must be maintained from the top surface of the carpeting, tile, etc. See Hearth Requirements in this manual.**



**Side Wall Clearance** 6-1/2" (165mm)

### Horizontal Vent Clearances

Top	2-1/2"	(64mm)
Side	1-1/2"	(38mm)
Bottom	1-1/2"	(38mm)

**Vertical Vent Clearances** 1-1/4" (32mm)

### Alcove Clearances\*\*:

<b>Max. Depth</b>	36"	(914mm)
<b>Min. Width</b>	72"	(1829mm)
<b>Min. Height</b>	72"	(1829mm)

\* see mantle clearance instructions (Refer to the "Combustible Mantels" section).

**WARNING:**  
Fire hazard is an extreme risk if these clearances are not adhered to.

## Clearances for HeatWave



The **HeatWave** Duct Kit has different clearance and framing requirements, check the **HeatWave** manual for details.

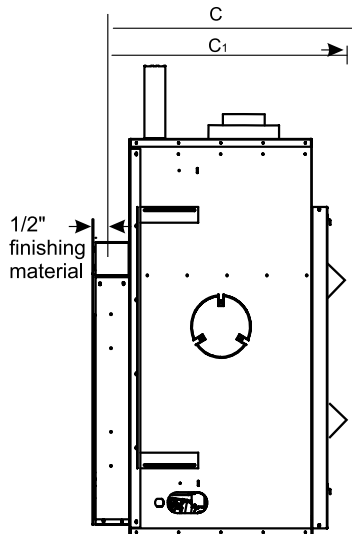
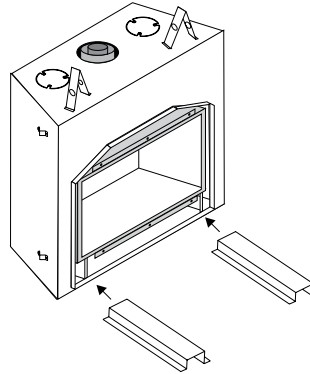
# installation

## Unit Base Standoffs

To accommodate varying thicknesses and finishes of hearth materials, we have increased the overall height of the appliance by a further 1 1/8". This increase is added with the inclusion of two standoffs at the bottom of the unit, below the outer box, taking the overall height of the framing dimensions from 45-1/4" up to 46-3/8".

In the event that you should choose to use thinner materials to finish the hearth, you can omit the standoffs provided for raising the unit. However, we recommend that you leave the framing dimensions as they are in the manual and alter only the facing requirement by reducing it by the same distance that you have lowered the unit.

Insert the 2 unit base standoffs underneath the unit as shown in the diagram below. Space the standoffs centrally, approximately 2 or 2-1/2 feet apart. Ensure that the unit is not unstable.



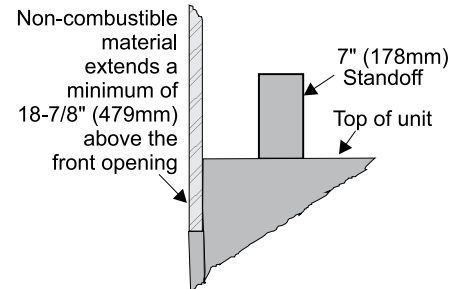
← 1/8" clearance from standoff - wall

C = 21-1/2" - min. depth required  
C<sub>1</sub> = 21-3/8" - C<sub>1</sub> + Finishing material thickness

**Note:** After unit is framed in, steel studs can be used inside of the wood framing to attach the noncombustible material. An optional steel stud framing kit is available for this purpose—see manual for details. If choosing not to purchase this kit, steel studs can be used in place to attach the noncombustible material. Use the optional steel stud kit instructions as a guide.

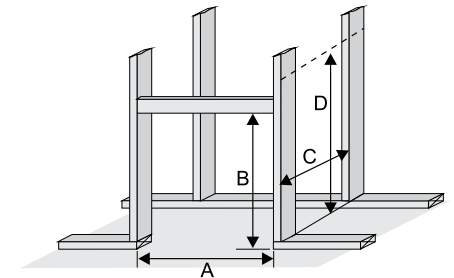
## Framing and Finishing

1. Determine the total thickness of facing material (e.g. drywall plus ceramic tiles) to allow the finished surface to be flush with the front of the unit. Total facing thickness can vary from 1/2" (13mm) to 3-3/8" (86mm) thick.



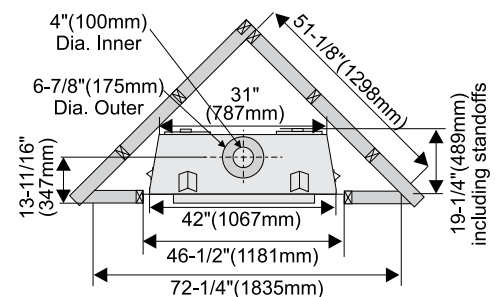
**Install Top Standoffs & Side Nailing Strips before unit is slipped into position. See the "Unit Assembly Prior to Installation" section for assembly details.**

2. Frame in the enclosure for the unit with framing material. The framed opening is 45-1/4" high (46-3/8" - if using base standoffs) x 46-1/2" wide x 21-1/2" deep (1149mm high x 1181mm wide x 546mm deep).



Framing Dimensions			
A	B	C	D
46-1/2" 1181mm	45-1/4" 1149mm	21-1/2" 546mm	53-3/4" 1365mm
	*46-3/8" 1178mm		

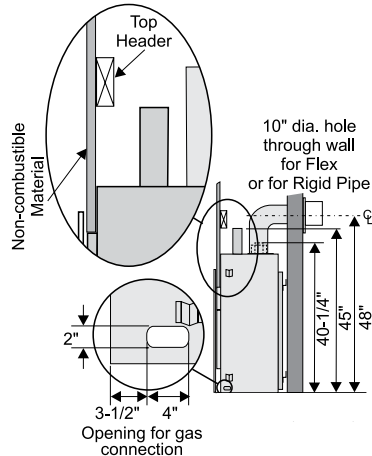
\*If raised 1-1/8" using base standoffs.



3. For exterior walls, insulate the enclosure to the same degree as the rest of the house, apply vapour barrier and drywall, as per local installation codes. **(Do not insulate the fireplace itself.)**

**4. Note:** The unit does not have to be completely enclosed in a chase. The clearance on top of the unit is 0" to the standoffs so combustible building materials can be laid directly on top of the standoffs. You must maintain clearance from the vent to combustible materials for both rigid and flex, see the "Clearances" section.

**Note:** 48" (1219mm) is the minimum height for both flex termination or Rigid Pipe venting.

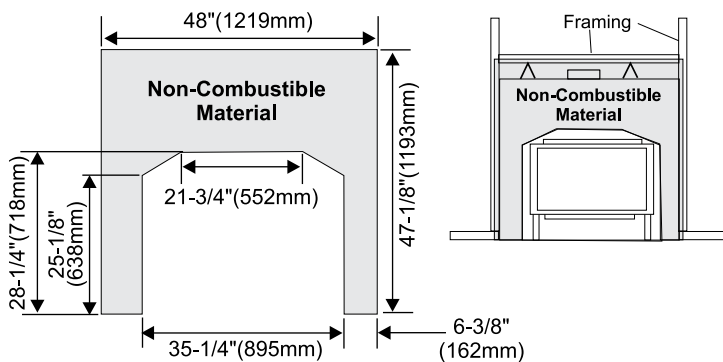


**Heat Wave** The **HeatWave** Duct Kit has different clearance and framing requirements, check the **HeatWave** manual for details.

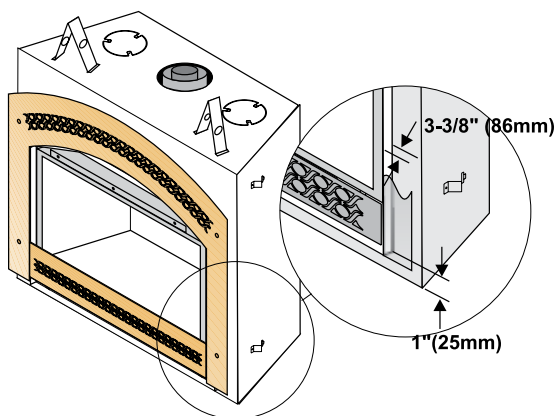
## Facing Requirements

This fireplace requires a non-combustible material extending from the framing header and sides.

The flanges on the front face of the fireplace are for a facing thickness of 3-3/8" (86mm).



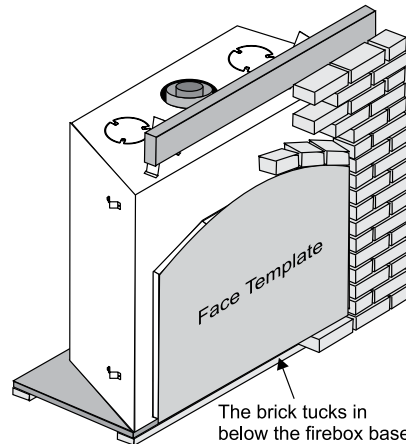
Please note that all vertical measurements are taken from the base of the unit **excluding** risers or bottom stand-offs.



## Facing Over 3-3/8" (86mm) Thick

If the facing material is over 3-3/8" (86mm) thick (example: brick or river rock), install the facing around the perimeter of the face. You may wish to make a face template as shown on the diagram.

Note: The template should be slightly larger than the actual surround itself to accommodate the removal of the surround when having this serviced. The surround when fitted must be lifted up and out in order to remove it.

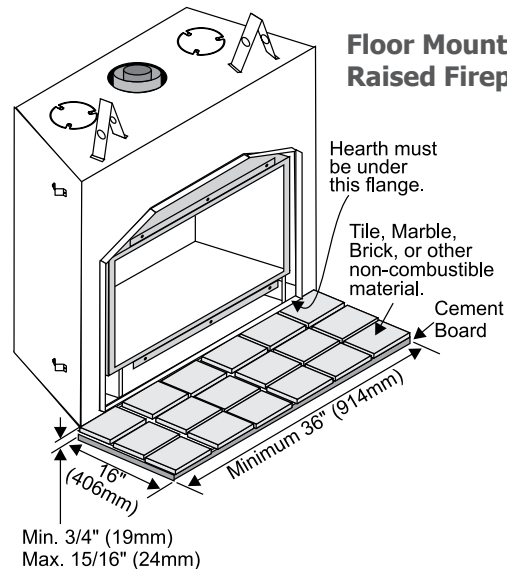


Regency provides a template on the box.

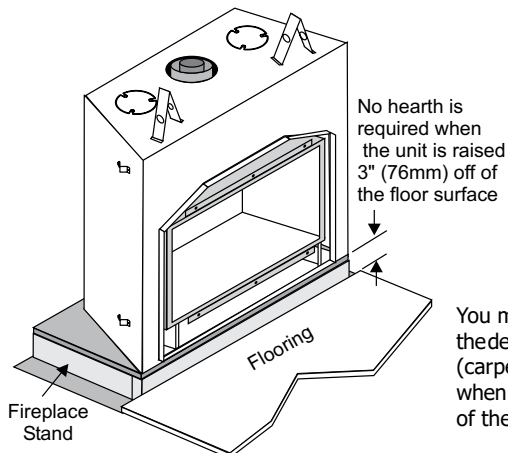
**NOTE:** If using a brick hearth, the fireplace will need to be raised to accommodate the brick thickness. Example: If the brick is 2" thick, the unit must be raised 1".

## Hearth Requirements

### Floor Mounted Fireplaces Raised Fireplaces



Min. 3/4" (19mm)  
Max. 15/16" (24mm)



You must take into account the depth of the floor covering (carpet, tile, linoleum, etc.) when determining the height of the fireplace stand.

# installation

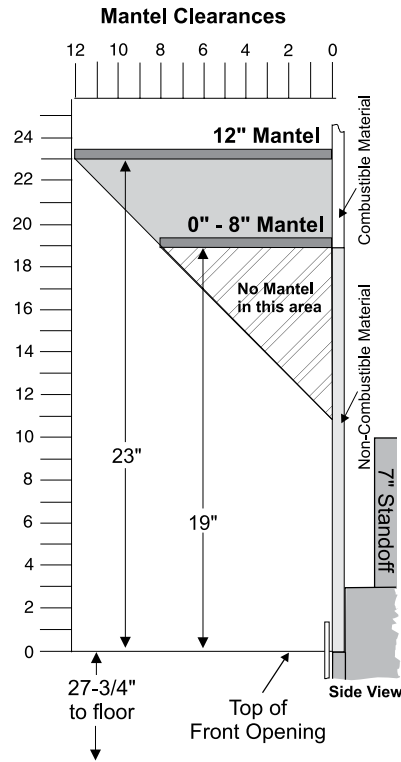
## Combustible Mantels

**Because of the extreme heat this fireplace emits, the mantel clearances are critical.** Combustible mantel clearances from top of unit are shown in Diagram below.

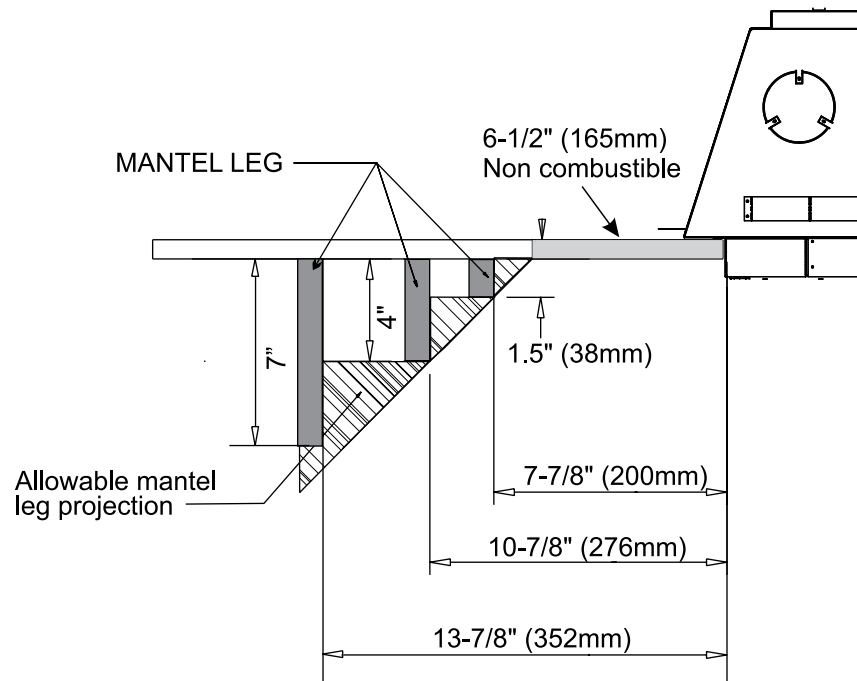
**Note: A non-combustible mantel may be installed at a lower height if the framing is made of metal studs covered with a non-combustible board. The non-combustible mantle when installed at a lower overall height may not be lower than 6 inches (152 mm) from the top of the fireplace opening.**

Mantel can be installed anywhere in shaded area or higher using the above scale.

**Note: Ensure the paint that is used on the mantel and the facing is "heat resistant" or the paint may discolour.**

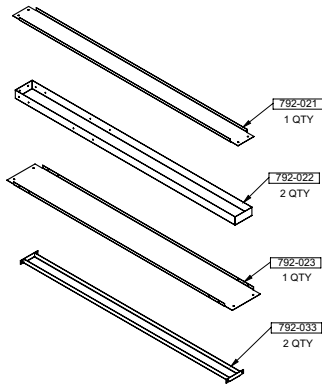


## Mantel Leg Clearance

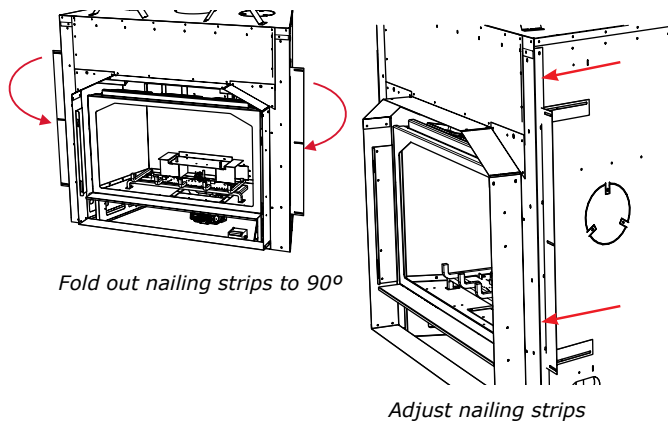


## Optional Framing Kit

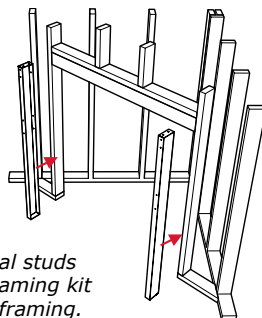
An optional framing kit is available to facilitate easier installation of the noncombustible board. The optional framing kit is to be installed within the existing wood framing. The framed opening is 46-1/2" wide x 45-1/4" high or 46-3/8" high if using the base standoffs and 21-1/2" deep. See instruction manual for complete details.



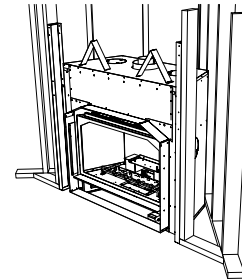
1. Fold out side nailing strips from the side of the unit to 90° as shown below.  
Determine the overall combined thickness of the non-combustible board + finished material being used. The nailing strips can be adjusted up to 3-3/8".



2. Adjust the nailing strips by loosening 2 screws on each nailing strip - adjust and retighten screws.



3. Attach both vertical studs and secure using pointed wood screws to penetrate steel studs to secure. There are 6 screws which are not provided. (2 at bottom, 2 at top and 2 on sides). (Corner framing shown in diagram).

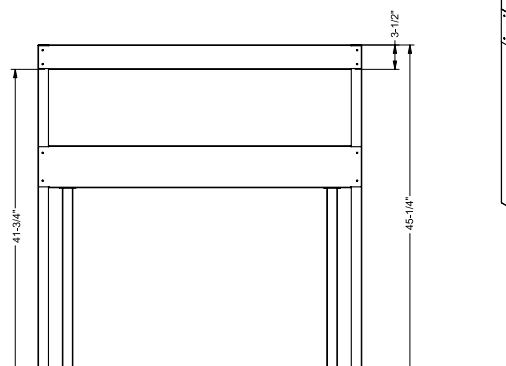
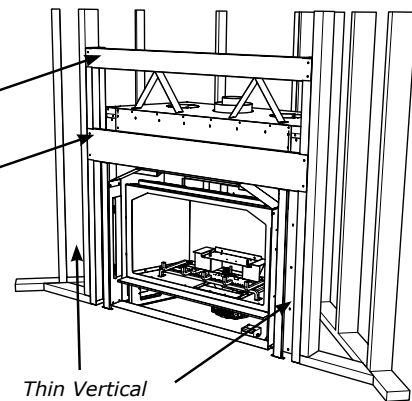


**NOTE:** Ensure the flat side of the steel stud is facing the wood framing.

4. Slide the unit into position. Hook up gas, venting and electrical prior to installing the remaining steel studs.
5. Secure the top horizontal steel stud (792-023) as shown with 2 screws per side.
6. Secure the wide horizontal stud (792-021) with 2 screws per side..
7. Secure 2 thin vertical studs (792-033) on either side of the appliance with 4 screws each. Above screws are provided.

Horizontal stud (792-023)- see Step 5

Wide Horizontal stud (792-021)- see Step 6



Framing kit dimensions

# installation

## Wall Mount On / Off Switch and Battery Holder Installation

Required for all installations

### **IMPORTANT INSTALLATION NOTE:**

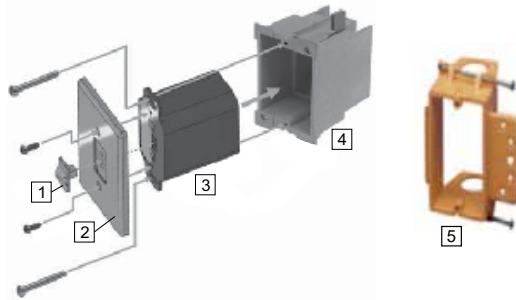
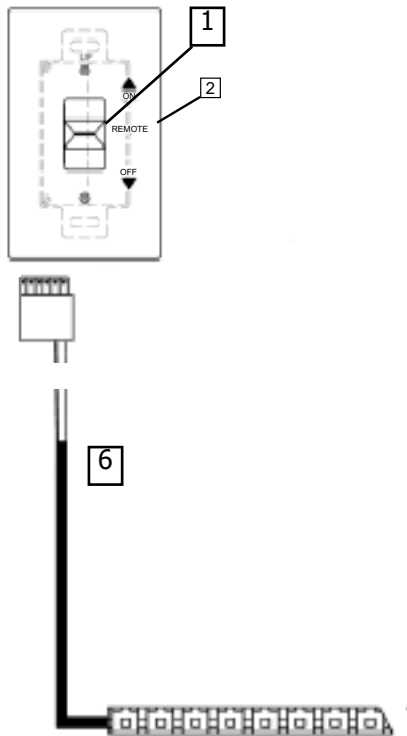
The Battery Holder must be placed inside the supplied (Low Voltage) junction type wall box and installed into the wall only.

### **DO NOT INSTALL WITHIN THE CONFINES OF THE FIREPLACE SWITCH MUST BE ACCESSIBLE**

#### **Battery Holder Installation**

1. Install the low voltage junction box to the framing, at desired location within 15 ft. from fireplace.
2. Feed the 6 pin connector through the opening at back of junction box.
3. Connect the 6 pin connector to the back of the Battery Holder.
4. Install the Battery Holder in the Low Voltage Junction box.
5. Install batteries only if 120 volt power will not be used. Batteries are only used if power is lost within the home and serve as a secondary power source. Insert the 4 AA type batteries in the battery compartment with the correct polarity.
6. Place the slider into the cover plate.
7. Put the Battery Holder switch in the "OFF" position, to allow correct lineup for slider switch.
8. Make sure the Battery Holder and cover plate words "ON" and "UP" are on the same side.
9. Align the slider with the switch on the Battery Holder and couple the switch into the slider.
10. Align the screw holes.
11. Using the two (2) screws provided secure the cover plate to the Battery Holder.
12. For coding instructions, see full details in this manual.

#### **Proflame Battery Holder**



Item	Part No.	Description
1	N/A	Slider Switch (included with wall plate)
2	911-335	Wall Plate - White
2	911-343	Wall Plate - Black
3	911-337/P	Remote Battery Holder
4	N/A	J-Box
5	910-369	Low Voltage Junction Box
6	911-181	Remote Battery Holder Wire Harness



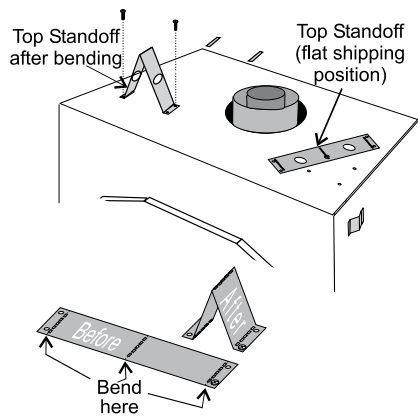
## Unit Assembly Prior To Installation

The 2 Top Standoffs must be correctly positioned and attached to the top before unit is slipped into position.

### Top Standoff Assembly

The top standoffs are shipped in a flat position and must be folded into shape and attached.

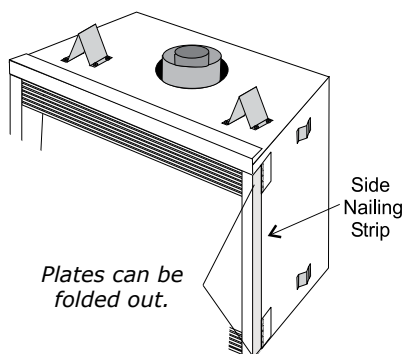
1. Remove the standoffs from the fireplace top.
2. Take each standoff and bend into the correct shape. Bend up at the bend lines until the screw holes in the standoff and the pre-punched screw holes on the fireplace top line up.



3. Attach the standoff securely to the top with 2 screws per standoff (on opposite corners).

### Side Nailing Strips

The side nailing strips come attached to the unit. There are 2 plates, one on the top and bottom that can be folded out as required.



## Venting Introduction

The P90E-11 uses the "balanced flue" technology Co-axial system. The inner liner vents products of combustion to the outside while the outer liner draws outside combustion air into the combustion chamber thereby eliminating the need to use heated room air for combustion and losing warm room air up the chimney.

**Note: These flue pipes must not be connected to any other appliance.**

The gas appliance and vent system must be vented directly to the outside of the building, and never be attached to a chimney serving a separate solid fuel or gas burning appliance. Each direct vent gas appliance must use its own separate vent system. Common vent systems are prohibited.

# installation

## Venting

### FPI Direct Vent System (Flex) Horizontal Terminations Only

These venting systems, in combination with the P90E-11 Direct Vent Gas Fireplace, have been tested and listed as a direct vent heater system by Warnock Hersey/Intertek. The location of the termination cap must conform to the requirements in the Vent Terminal Locations diagram in the "Exterior Vent Termination Locations" section.

**FPI Direct Vent (Flex) System Termination Kit (Part # 946-515) includes all the parts needed to install the P90E-11 with a maximum run of 4 feet.**

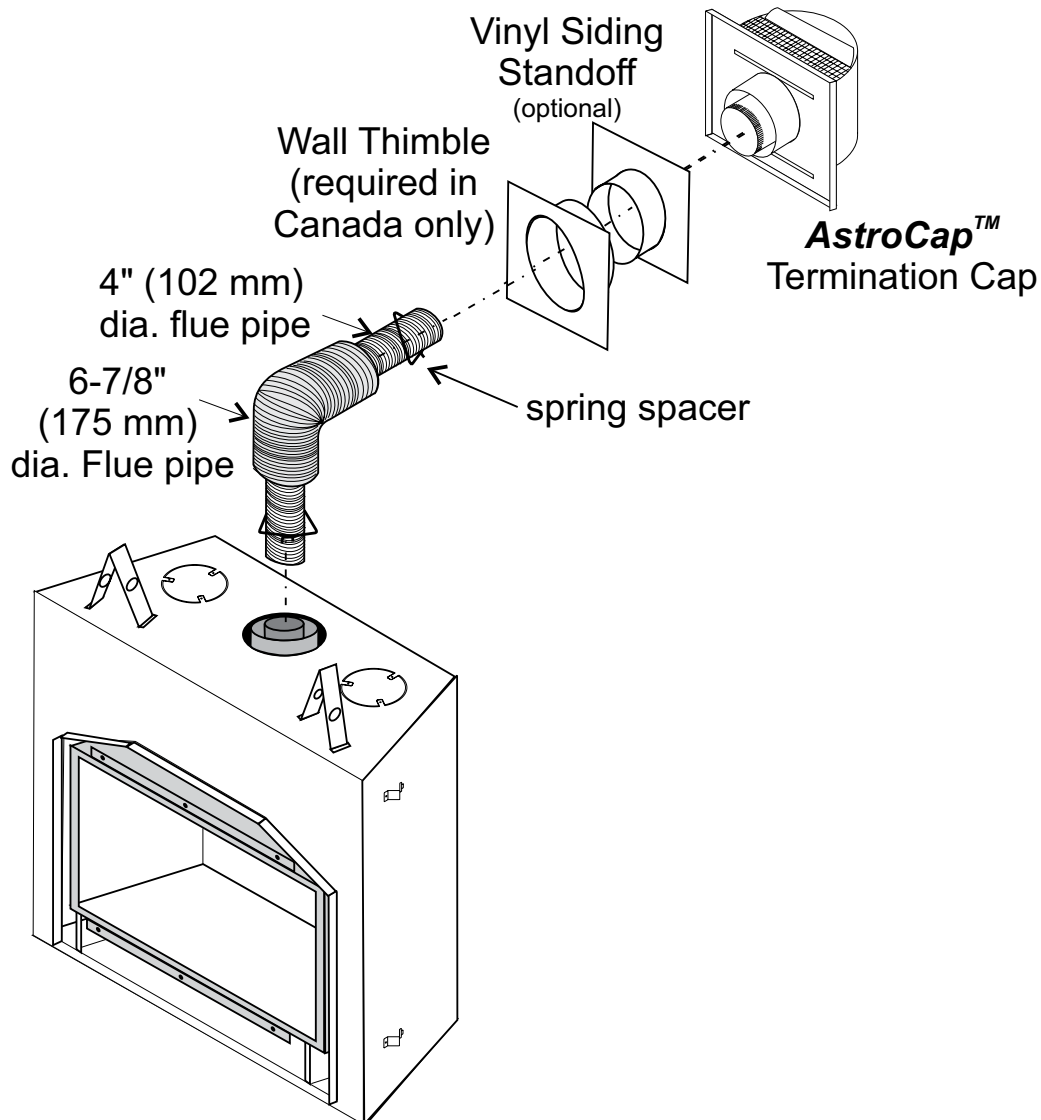
1. 6-7/8" dia. flexible liner (4 ft. length)
2. 4" dia. flexible liner (4 ft. length)
3. spring spacers (4)
4. thimble (2)
5. **AstroCap** termination cap (1)
6. screws (12)
7. tube of Mill Pac (1)
8. plated screws (8)
9. screws #8 x 1-1/2" Drill Point, Stainless Steel (4)

**If a longer run is needed, the FPI Direct Vent system (Flex) kit is 946-516 which includes all the parts needed to install the P90E-11 with a maximum 10' run.**

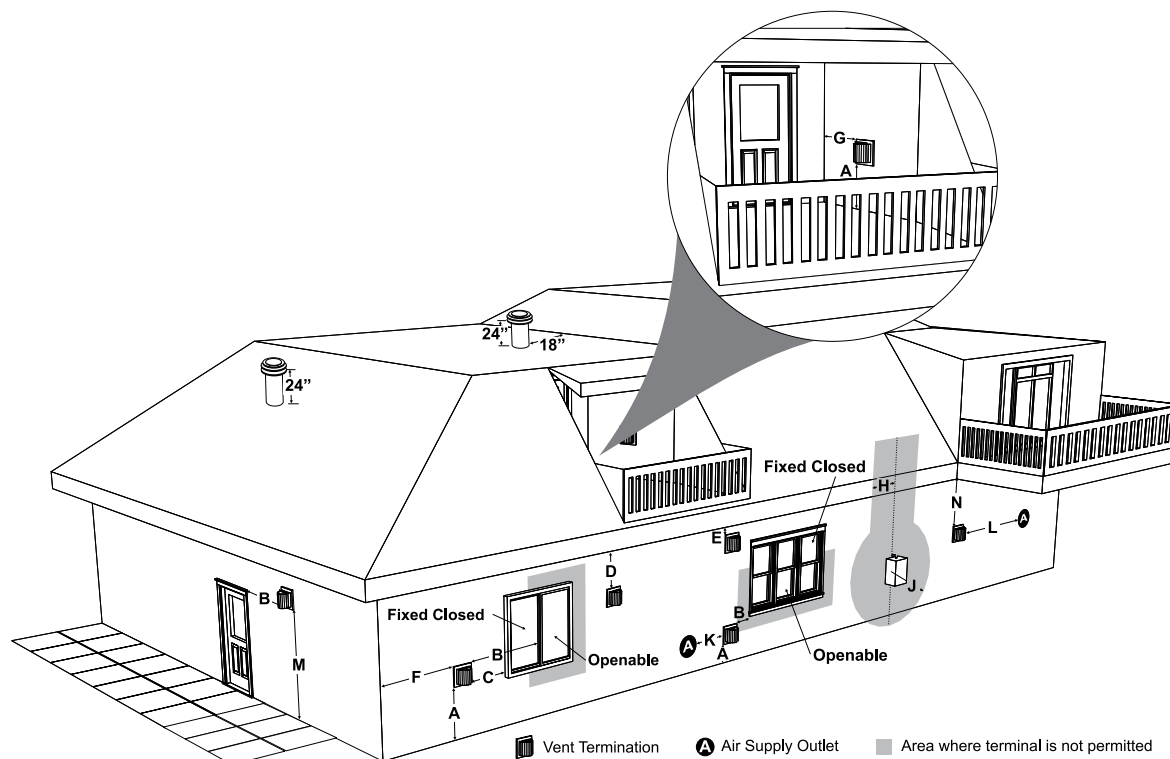
1. 6-7/8" dia. flexible liner (10 ft. length)
2. 4" dia. flexible liner (10 ft. length)
3. spring spacers (7)
4. thimble (2)
5. **AstroCap** termination cap (1)
6. screws (12)
7. tube of Mill Pac (1)
8. plated screws (8)
9. screws #8 x 1-1/2" Drill Point, Stainless Steel (4)

**Notes:**

1. **Liner sections should be continuous without any joints or seams.**
2. **Only Flex pipe purchased from FPI may be used for Flex installations.**
3. **Horizontal vent must be supported every 3 feet.**



Exterior Vent Termination Locations



	Minimum Clearance Requirements	Canada <sup>1</sup>	USA <sup>2</sup>
<b>A</b>	Clearance above grade, veranda, porch, deck, or balcony	12"(30cm)	12"(30cm)
<b>B</b>	Clearance to window or door that may be opened	12"(30cm)	9" (23cm)
<b>C</b>	Clearance to permanently closed window	*	*
<b>D</b>	Vertical clearance to ventilated soffit located above the terminal within a horizontal distance of 2 feet (61cm) from the center line of the terminal (check with the local code)	18"(46cm)	18"(46cm)
<b>E</b>	Clearance to unventilated soffit	15"(38cm)	15"(38cm)
<b>F</b>	Clearance to outside corner: with <b>AstroCap</b> Termination Cap.	6"(15cm)	6"(15cm)
	Clearance to outside corner: with all other approved Termination Caps.	14"(36cm)	14"(36cm)
<b>G</b>	Clearance to inside corner: with <b>AstroCap</b> Termination Cap	6"(15cm)	6"(12cm)
	Clearance to inside corner: with all other approved Termination Caps.	12"(30cm)	12"(30cm)
<b>H</b>	Clearance to each side of center line extended above meter/regulator assembly	36"(90cm) <sup>a</sup>	*
<b>J</b>	Clearance to service regulator vent outlet	36"(90cm)	*
<b>K</b>	Clearance to non-mechanical air supply inlet to building or the combustion air inlet to any other appliance	12"(30cm)	9" (23cm)
<b>L</b>	Clearance to a mechanical air supply inlet #3' (91cm) above if within 10' (3m) horizontally.	72"(1.8m)	36"(90cm) <sup>b</sup>
<b>M</b>	Clearance above paved sidewalk or a paved driveway located on public property	84"(2.1m) <sup>†</sup>	*
<b>N</b>	Clearance under veranda, porch, deck, or balcony	12"(30cm) <sup>‡</sup>	*

<sup>1</sup> In accordance with current CSA B149.1, *Natural Gas and Propane Installation Code*

<sup>2</sup> In accordance with the current ANSI Z223.1/NFPA 54, *National Fuel Gas Code*

<sup>†</sup> A vent shall not terminate directly above a sidewalk or paved driveway which is located between two single family dwellings and serves both dwellings

<sup>‡</sup> Permitted only if veranda, porch, deck, or balcony is fully open on a minimum of two sides beneath the floor

\* Clearance in accordance with local installation codes and the requirements of the gas supplier

<sup>a</sup> 3 feet (91cm) within a height of 15 feet (4.5m) above the meter / regulator assembly

<sup>b</sup> 3 feet (91cm) above - if within 10 feet (3m) horizontally

# installation

## 4" x 6-5/8" Rigid Pipe Cross Reference Chart

Components from different Manufacturers may not be mixed. Not All Rigid Pipe components are available directly from FPI.

Description	Simpson Direct Vent Pro®	Selkirk Direct Temp™	American Metal Products® Amerivent Direct	Metal-Fab™ Sure Seal	Security Secure-Vent®	ICC Excel Direct	Olympia Ventis DV*
6" Pipe Length-Galvanized	46DVA-06	4DT-6	N/A	4D6	SV4L6	TC-4DL6	VDV-0406
6" Pipe Length-Black	46DVA-06B	4DT-6B	N/A	4D6B	SV4LB6	TC-4DL6B	VDVB-0406
7" Pipe Length-Galvanized	N/A	N/A	4D7	N/A	N/A	N/A	N/A
7" Pipe Length-Black	N/A	N/A	4D7B	N/A	N/A	N/A	N/A
9" Pipe Length-Galvanized	46DVA-09	4DT-9	N/A	N/A	N/A	TC-4DL9	VDV-0409
9" Pipe Length-Black	46DVA-09B	4DT-9B	N/A	N/A	N/A	TC-4DL9B	VDVB-0409
12" Pipe Length-Galvanized	46DVA-12	4DT-12	4D12	4D12	SV4L12	TC-4DL1	VDV-0412
12" Pipe Length-Black	46DVA-12B	4DT-12B	4D12B	4D12B	SV4LB12	TC-4DL1B	VDVB-0412
18" Pipe Length-Galvanized	46DVA-18	4DT-18	4D18	4D18	SV4LA	TC-4DL18	VDV-0418
18" Pipe Length-Black	46DVA-18B	4DT-18B	4D18B	4D18B	SV4LA	TC-4DL18B	VDVB-0418
24" Pipe Length-Galvanized	46DVA-24	4DT-24	4D24	4D24	SV4L24	TC-4DL2	VDV-0424
24" Pipe Length-Black	46DVA-24B	4DT-24B	4D24B	4D24B	SV4LB24	TC-4DL2B	VDVB-0424
36" Pipe Length-Galvanized	46DVA-36	4DT-36	4D36	4D36	SV4L36	TC-4DL3	VDV-0436
36" Pipe Length-Black	46DVA-36B	4DT-36B	4D36B	4D36B	SV4LB36	TC-4DL3B	VDVCB-0436
48" Pipe Length-Galvanized	46DVA-48	4DT-48	4D48	4D48	SV4L48	TC-4DL4	VDV-0448
48" Pipe Length-Black	46DVA-48B	4DT-48B	4D48B	4D48B	SV4LB48	TC-4DL4B	VDVB-0448
60" Pipe Length-Galvanized	46DVA-60	4DT-60	N/A	N/A	N/A	N/A	N/A
60" Pipe Length-Black	46DVA-60B	4DT-60B	N/A	N/A	N/A	N/A	N/A

Adjustable Length 3"-10"-Galvanized	N/A	N/A	N/A	4DAL	N/A	TC-4DLT	N/A
Adjustable Length 3"-10"-Black	N/A	N/A	N/A	4DALB	N/A	TC-4DLTB	N/A
Adjustable Length 7"-Galvanized	N/A	N/A	4D7A	N/A	N/A	N/A	N/A
Adjustable Length 7"-Black	N/A	N/A	4D7AB	N/A	N/A	N/A	N/A
Extension Pipe 8-1/2"-Galvanized	46DVA-08A	N/A	N/A	N/A	N/A	N/A	N/A
Extension Pipe 8-1/2"-Black	46DVA-08AB	N/A	N/A	N/A	N/A	N/A	N/A
Adjustable Length 12"-Galvanized	N/A	N/A	4D12A	N/A	SV4LA12	TC-4dLSI	N/A
Adjustable Length 12"-Black	N/A	N/A	4D12A	N/A	SV4LBA12	TC-4dLSIB	N/A
Extension Pipe 16"-Galvanized	46DVA-16A	N/A	N/A	N/A	N/A	N/A	N/A
Extension Pipe 16"-Black	46DVA-16AB	N/A	N/A	N/A	N/A	N/A	N/A

45° Elbow-Galvanized	46DVA-E45	4DT-EL45	4D45L	N/A	N/A	TE-4DE45	VDV-EL0445
45° Elbow-Black	46DVA-E45B	4DT-EL45B	4DT-EL45B	N/A	N/A	TE-4DE45B	VDVB-EL0445
45° Elbow Swivel-Galvanized	See 46DVA-E45	N/A	N/A	4D45L	SV4E45	N/A	N/A
45° Elbow Swivel-Black	See 46DVA-E45B	N/A	N/A	4D45LB	SV4EB45	N/A	N/A
90° Elbow-Galvanized	46DVA-E90	4DT-EL90S	4DT-EL90S	N/A	N/A	TE-4DE90	VDV-EL0445
90° Elbow-Black	46DVA-E90B	4DT-EL90SB	4DT-EL90SB	N/A	SV4EBR90-1	TE-4DE90B	VDVB-EL0445
90° Elbow, Swivel-Galvanized	See 46DVA-E90	N/A	N/A	4D90L	SV4E90-1	N/A	N/A
90° Elbow, Swivel-Black	See 46DVA-E90B	N/A	N/A	4D90LB	SV4EB90-1	N/A	N/A
90° Starter Elbow, Swivel-Galvanized	N/A	N/A	N/A	4D90A	N/A	N/A	N/A
Adaptor*	N/A	N/A	N/A	4D90L	N/A	N/A	VDV-UAA04

Ceiling Support	N/A	4DT-CS	4DSP	4DFSP	SV4SD	TM4-RDS	VDV-SCR04
Cathedral Support Box	46DVA-CS	4DT-CSS	4DRSB	4DRS	SV4CSB	TM4-SDS	VDV-CSS04
Wall Support/Band	46DVA-WS	4DT-WS/B	4DWS	4DWS	SV4BM	TM-SWS	VDV-WS04
Offset Support	46DVA-ES - N/A from FPI	4DT-OS	N/A	N/A	SV4SU	TM-SOS	N/A
Wall Thimble-Black	46DVA-WT	4DT-WT	4DWT	4DWT	SV4RSM	N/A	VDV-WPT04
Wall Thimble Support/Ceiling Support	46DVA-DC	N/A	N/A	N/A	SV4PF	N/A	N/A
Firestop Spacer	46DVA-FS	4DT-FS	4DFSP	4DFS	SV4BF	TM-4CS	VDV-FS04
Trim Plate-Black	N/A	4DT-TP	4DFPB	4DcP	SV4LA	TM-4TP	VDV-WTC04

Description	Simpson Direct Vent Pro®	Selkirk Direct Temp™	American Metal Products® Amerivent Direct	Metal-Fab™ Sure Seal	Security Secure-Vent®	ICC Excel Direct	Olympia Ventis DV*
Attic Insulation Shield 12"	46DVA-IS N/A @ FPI	N/A	4DAIS12	N/A	SV4RSA	N/A	VDV-AIS04
Attic Insulation Shield - Cold Climates 36"	N/A	N/A	4DAIS12	N/A	N/A	TM-4AS	N/A

Basic Horizontal Termination Kit (A)	Disc.	4DT-HKA	4DHTK2	4DHTKA	SV-SHK	TM4-HTK	VDV-KW04
Horizontal Termination Kit (B)	46DVA-KHA (Changed Components)	4DT-HKB	4DHTK1	4DHTKB	SV-HK	TM4-HTK	VDV-K04
Vertical Termination Kit	Disc.	4DT-VKC	4DHTK	4DHTK	SV-FK	N/A	N/A

High Wind Vertical Cap	46DVA-VCH	N/A	N/A	N/A	N/A	TM-4VT	VDV-VCHW04
High Wind Horizontal Cap	46DVA-HC	N/A	N/A	N/A	N/A	TM-4DHT	N/A
Horizontal Square Termination Cap	46DVA-HC	4DT-HHC	4DHC	4DHT	SV4CHC-1	TM-4HT	VDV-HC04
Vertical Termination Cap	46DVA-VC	4DT-HVC	4DVC	4DVT	SV4CGV-1	N/A	N/A
Storm Collar	46DVA-08A	4DT-SC	4DSC	4DSC	SV4FC	TM-SC	VDV-SC04

Adjustable Flashing 0/12-6/12	46DVA-F6	4DT-ST14	4D12S	4DST14	SV4STC14	TF-4FA	VDV-F0406
Adjustable Flashing 6/12-12/12	46DVA-F12	4DT-ST36	4D36S	4DST36	SV4STC36	TF-4FB	VDV-SSO

Vinyl Siding Standoff	46DVA-VSS	4DT-VS	N/A	4DVS	SV4VS	TM-VSS	N/A
Vinyl Siding Shield Plate	N/A	4DT-VSP	N/A	N/A	SV4VS	N/A	N/A

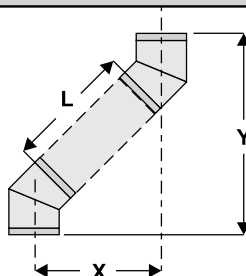
Snorkel Termination 14"	46DVA-SNK14	N/A	N/A	N/A	N/A	TM-4ST14	N/A
Snorkel Termination 36"	N/A	N/A	N/A	N/A	N/A	TM-4ST36	N/A

Restrictor Disk	N/A	N/A	N/A	N/A	N/A	TM-4DS	N/A
Extended Vertical Termination Cap	N/A	N/A	N/A	N/A	N/A	N/A	N/A

Wall Firestop	46DVA-WFS	N/A	N/A	N/A	N/A	TM-4TR	VDV-FS04
Colinear Flex Connectors	46DVA-ADF	N/A	N/A	N/A	N/A	N/A	N/A

FPI			
946-506/P	Vent Guard (Optional) for AstroCap	946-205	Vinyl Siding Shield for Riser Vent Terminal
510-994	Rigid Pipe Adaptor (Must use with all rigid piping)	946-208/P	Vent Guard (Optional) for Riser Vent Terminal
640-530/P	Riser Vent Terminal	946-523/P	AstroCap Horizontal Cap
		946-206	Vinyl Siding Standoff for AstroCap

**Note:** When using Metal-Fab Sure Seal Rigid Piping - please note that the Adaptor (4DDA) must be used in conjunction with FPI Rigid Pipe Adaptor (510-994).

Offset Pipe Selection: Use this table to determine offset pipe lengths.				For specific instructions on venting components - visit the manufacturers website listed below. Simpson Direct Vent Pro: <a href="http://www.duravent.com">www.duravent.com</a> Selkirk Direct-Temp: <a href="http://www.selkirkcorp.com">www.selkirkcorp.com</a> American Metal Products: <a href="http://www.americanmetalproducts.com">www.americanmetalproducts.com</a> Metal-Fab Sure Seal: <a href="http://www.mtfab.com">www.mtfab.com</a> Security Secure Vent: <a href="http://www.securitychimneys.com">www.securitychimneys.com</a> Industrial Chimney Company: <a href="http://www.icc-rsf.com">www.icc-rsf.com</a> Olympia Ventis DV: <a href="http://www.olympiachimney.com">www.olympiachimney.com</a>
Pipe Length (L)	4" x 6-5/8" Venting			
	Run (X)	Rise (Y)		
0" (0mm)	4-7/8" (124mm)	13-7/8" (340mm)		
6" (152mm)	8" (203mm)	16-1/2" (419mm)		
9" (229mm)	10-1/8" (257mm)	18-5/8" (473mm)		
12" (305mm)	12-1/4" (311mm)	20-3/4" (527mm)		
24" (610mm)	20-5/8" (524mm)	29-1/8" (740mm)		
36" (914mm)	29" (737mm)	37-1/2" (953mm)		
48" (1219mm)	37-7/16" (951mm)	45-15/16" (1167mm)		

**Note:** Horizontal runs of vent must be level, or have a 1/4" rise for every 1 foot of run towards the termination.  
Never allow the vent to run downward - this could cause high temperatures and may present a possible fire hazard.

# installation

## Rigid Pipe Venting Systems

The minimum components required for a basic horizontal termination are:

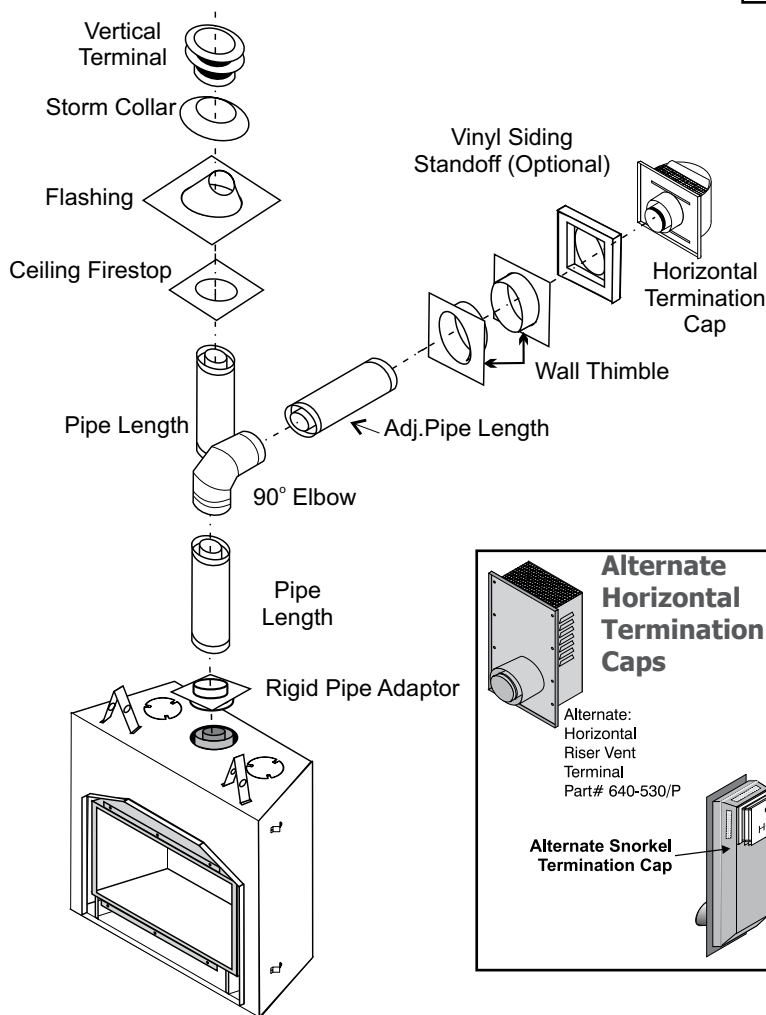
- 1 Horizontal Termination Cap
- 1 90° Elbow
- 1 Rigid Pipe Adaptor
- 1 Wall Thimble
- 1 Length of pipe to suit wall thickness (see chart)

Wall thickness is measured from the back standoffs to the inside mounting surface of termination cap. For siding other than vinyl furring strips may be used, instead of the vinyl siding standoff, to create a level surface to mount the vent terminal. The Terminal must not be recessed into siding. Measure the wall thickness including furring strips.

If a Vinyl Siding Standoff is required (it must be used with vinyl siding), measure to outside surface of wall without siding and add 2 inches.

Flat Wall Installation	
Wall Thickness (inches)	Vent Length Required (inches)
4" - 5-1/2"	6"
7" - 8-1/2"	9"
10" - 1-1/2"	12"
9" - 14-1/2"	11" - 14-5/8" Adj. Pipe
15" - 23-1/2"	17" - 24" Adj.
Corner Installation	
Wall Thickness (inches)	Vent Length Required (inches)
3-1/4" - 6-3/4"	11" - 14-5/8" Adj. Pipe
7-3/4" - 16-1/4"	17" - 24" Adj. Pipe
7-1/4" - 8-3/4"	6" + 12" 9" + 9"
4-1/4" - 5-3/4"	6" + 9"

## Horizontal and Vertical Terminations for 4" x 6-5/8" Venting



**WARNING:**

Do not combine venting components from different venting systems.

However use of the the AstroCap™ and FPI Riser is acceptable with all systems.

This product has been evaluated by Intertek for using a Rigid Pipe Adaptor in conjunction with Duravent Direct-Vent, Olympia Ventis DV, Selkirk Direct-Temp, Ameri Vent Direct venting and Security Secure Vent systems. Use of these systems with the Rigid Pipe adaptor is deemed acceptable and does not affect the Intertek WHI listing of components.

**When using Rigid Vent other than Simpson Dura-Vent, 3 screws must be used to secure rigid pipe to adaptor.**

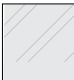
The FPI AstroCap™ and FPI Riser Vent terminal are certified for installations using FPI venting systems as well as Simpson Dura-Vent® Direct Vent, American Metal Products Ameri Vent Direct Vent, Olympia Ventis DV, Security Secure Vent®, Selkirk Direct-Temp. AstroCap™ is a proprietary trademark of FPI Fireplace Products International Ltd. Dura-Vent® and Direct Vent are registered and/or proprietary trademarks of Simpson Dura-Vent Co. Inc.


**Rigid Pipe Venting Arrangements - Horizontal Terminations**

**FPI DIRECT VENT SYSTEM (FLEX)**

**(Propane & Natural Gas)**

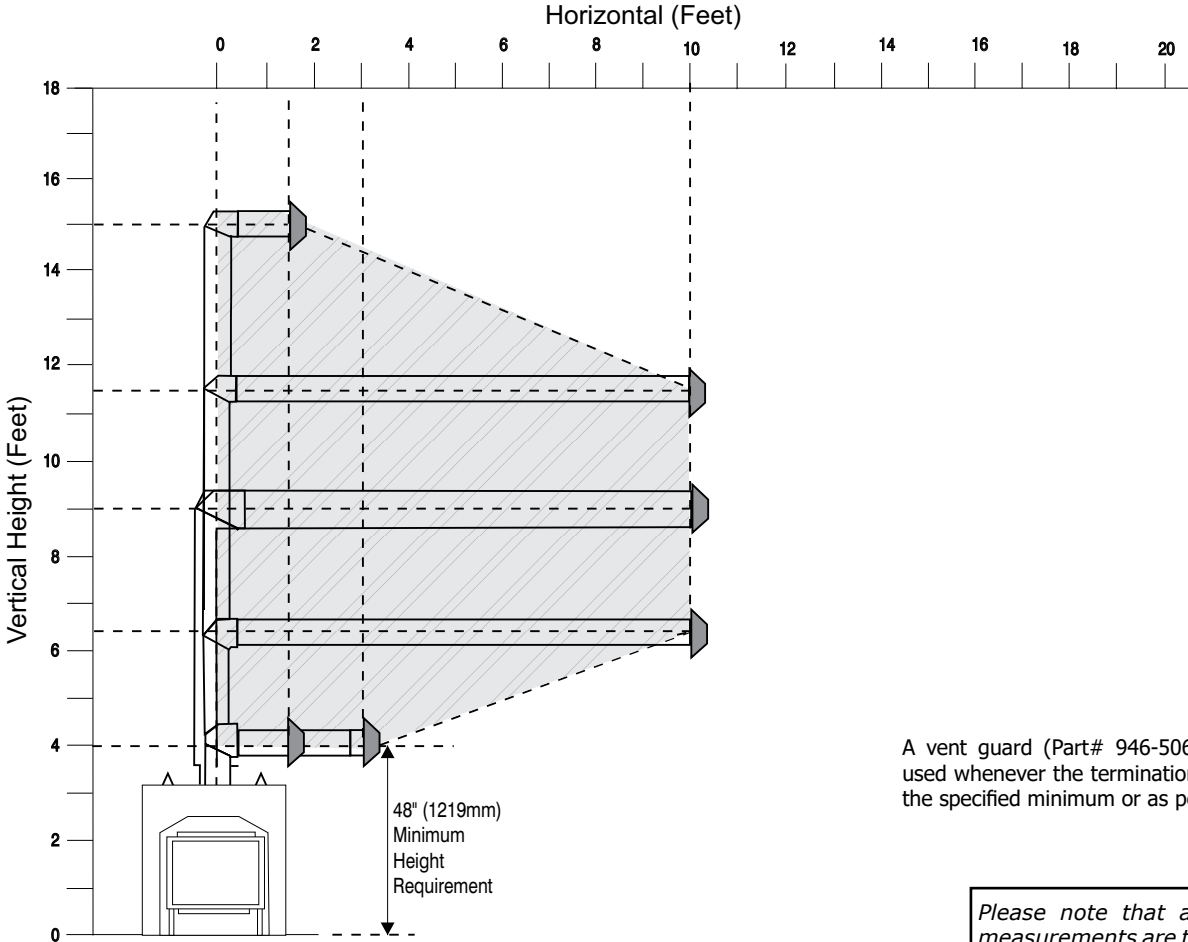
The diagram shows all allowable combinations of vertical runs with horizontal terminations, using one 90° elbow (two 45° elbows equal one 90° elbow).

 **All Rigid Pipe Systems**  
4" inner diameter  
6-5/8" outer diameter

 **FPI Flex Vent**  
4" inner diameter  
6-7/8" outer diameter

**Note: Must use optional rigid pipe adaptor (Part # 510-994. when using Rigid Pipe.**

**Note: FPI Direct Vent System (Flex) is only approved for horizontal terminations.**



A vent guard (Part# 946-506/P) should be used whenever the termination is lower than the specified minimum or as per local codes.

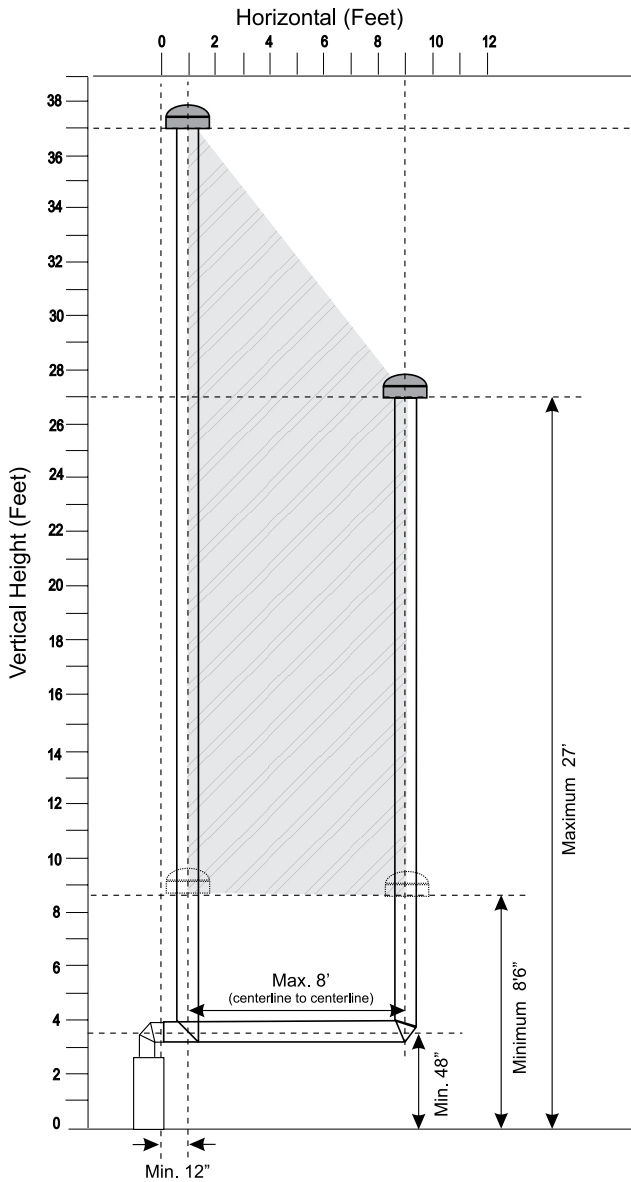
*Please note that all vertical measurements are taken from the base of the unit **excluding** risers or bottom stand-offs.*

- Maintain clearances to combustibles as listed in the "Clearances" section.
- Horizontal vent must be supported every 3 feet.
- Firestops are required at each floor level and whenever passing through a wall.

# installation

## Rigid Pipe Venting Arrangements - Vertical Terminations

The shaded area in the diagram shows all allowable combinations of straight vertical and offset to vertical terminations, using two 90° elbow, with **rigid pipe** vent systems for Propane and Natural Gas.



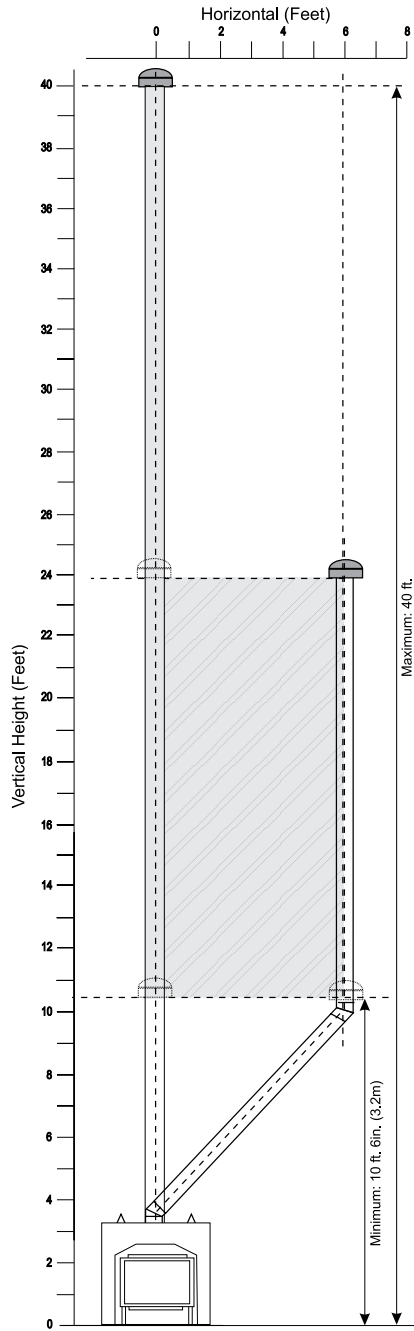
- Vent must be supported at offsets.
- Firestops are required at each floor level and whenever passing through a wall.
- Maintain clearances to combustibles.

**Note:** Must use optional rigid pipe adaptor when using rigid vent systems (Part # 510-994).

The P90E-11 is approved for a maximum 40 ft. straight vertical, with **rigid pipe** 4" x 6-5/8" vent systems for Propane and Natural Gas, as per diagram.

The shaded area in the diagram show all allowable combinations of straight vertical and offset to vertical terminations with **rigid pipe** vent systems for Propane and Natural Gas. Maximum two 45° elbows allowed.

- Vent must be supported at offsets
- Firestops are required at each floor level and whenever passing through a wall.
- Maintain clearances to combustibles as listed in the "Clearances" section.



Please note that all vertical measurements are taken from the base of the unit **excluding** risers or bottom standoffs.



## Horizontal Terminations

Install the vent system according to the manufacturer's instructions included with the components.

1. Set the unit in its desired location. Check to determine if wall studs or roof rafters are in the way when the venting system is attached. If this is the case, you may want to adjust the location of the unit. Rough in the gas preferably on the right side of the unit and the electrical (junction block is on the left side) on the left.
2. Direct Vent pipe and fittings are designed with special twist-lock connections to connect the venting system to the appliance flue outlet. A twist-lock appliance adaptor is an available option that must be used in conjunction with the Simpson Dura-Vent Direct Vent system.
3. Put a bead of Mill-Pac inside the outer section of the adapter and on the inner collar. Slip the adapter over the existing inner and outer flue collar and fasten to the outer collar only with the 3 supplied screws (drilling pilot holes will make this easier). Level the fireplace and fasten it to the framing using nails or screws through the nailing strips.
4. Assemble the desired combination of pipe and elbows to the appliance adaptor and twist-lock for a solid connection.

### Note:

- a) Twist-lock procedure: Four indentations, located on the female ends of pipes and fittings, are designed to slide straight onto the male ends of adjacent pipes and fittings, by orienting the four pipe indentations so they match and slide in to the four entry slots on the male ends, Diagram 1. Push the pipe sections completely together, then twist-lock one section clockwise approximately one-quarter turn, until the two sections are fully locked. The female locking lugs will not be visible from the outside, on the Black Pipe or fittings. They may be located by examining the inside of the female ends.

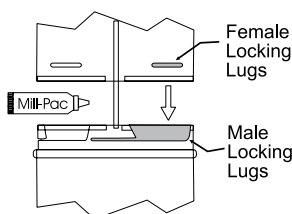


Diagram 1

**NOTE:** For best results and optimum performance with each approved venting system, it is highly recommended to apply "Mill-Pac" sealant (supplied) to every inner pipe connection. Failure to do so may result in drafting or performance issues not covered under warranty.

- b) Horizontal runs of vent must be supported every three feet. Wall straps are available for this purpose.

5. Mark the wall for a 10" x 10" square hole. The center of the square hole should line up with the centerline of the horizontal pipe. Cut and frame the 10 inch square hole in the exterior wall where the vent will be terminated. If the wall being penetrated is constructed of non-combustible material, i.e. masonry block or concrete, a 7" (178mm) dia. (7-1/2" (191mm) dia. for flex) hole is acceptable.

**Note:** With DuraVent, the minimum height is achieved by installing a 90° elbow directly to the top of the unit.

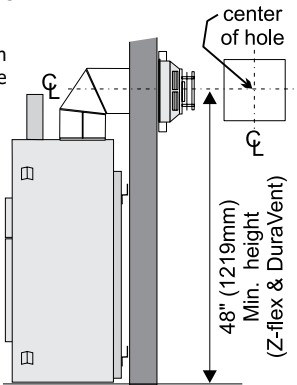


Diagram 2

### Note:

- a) The horizontal run of vent must be level, or have a 1/4 inch rise for every 1 foot of run towards the termination. Never allow the vent to run downward. This could cause high temperatures and may present the possibility of a fire.
- b) The location of the horizontal vent termination on an exterior wall must meet all local and national building codes, and must not be blocked or obstructed. For External Vent Terminal Locations, see diagram in the "Exterior Vent Termination Locations" section.
- c) **Snorkel Terminations:** For installations requiring a vertical rise on the exterior of the building, 14-inch and 36-inch tall Snorkel Terminations are available, as well as the standard Riser Vent. Follow the same installation procedures as used for standard Horizontal Termination. NEVER install the snorkel upside down.

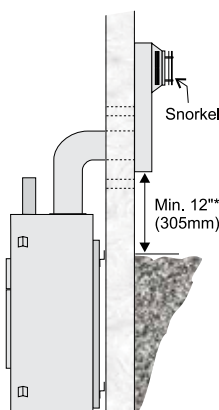
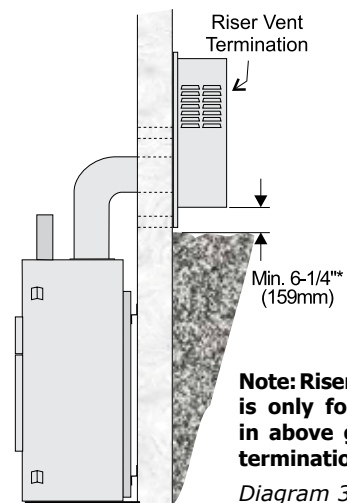


Diagram 3



**Note: Riser Vent is only for use in above grade terminations.**

Diagram 3a

**\*Dia 3, 3a & 4: As specified in CGA B149 Installation Code. Local codes or regulations may require different clearances.**

### Below Grade Installation

If the Snorkel Termination must be installed below grade, i.e. basement application, proper drainage must be provided to prevent water from entering the Snorkel Termination. Refer to Diagram 4. Do not attempt to enclose the Snorkel within the wall, or any other type of enclosure.

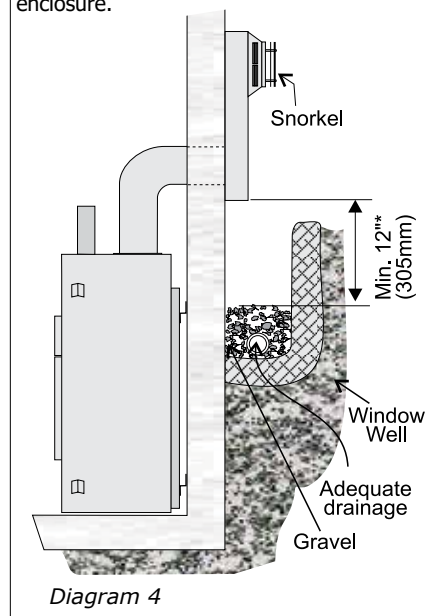


Diagram 4

**NOTE:** For Snorkel terminations in ABOVE grade installations, follow national or local code requirements.

6. The arrow on the vent cap should be pointing up. Insure that the 1-1/2" clearances to combustible materials are maintained (Diagram 4). Install the termination cap.

# installation

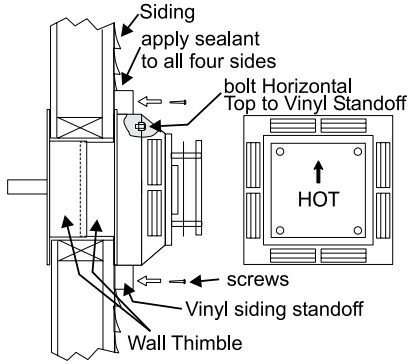


Diagram 5

The four wood screws provided should be replaced with appropriate fasteners for stucco, brick, concrete, or other types of sidings.

**Note: If installing termination on a siding covered wall, a vinyl siding standoff or furring strips must be used to ensure that the termination is not recessed into the siding.**

- Before connecting the horizontal run of vent pipe to the vent termination, slide the Wall Thimble over the vent pipe.
- Slide the appliance and vent assembly towards the wall carefully inserting the vent pipe into the vent cap assembly. It is important that the vent pipe extends into the vent cap sufficient distance so as to result in a minimum pipe overlap of 1-1/4 inches. Secure the connection between the vent pipe and the vent cap by attaching the two sheet metal strips extending from the vent cap assembly into the outer wall of the vent pipe. Use the two sheet metal screws provided to connect the strips to the pipe section. See Diagram 6.

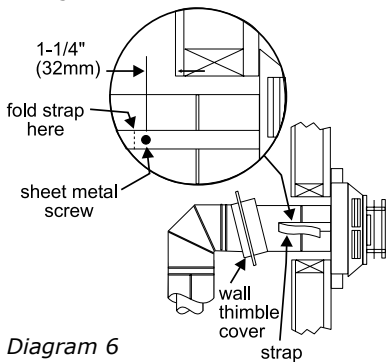


Diagram 6

- Install wall thimble in the center of the 10" square and attach with wood screws (Diagram 7).

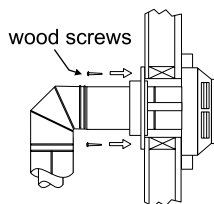


Diagram 7

## Vertical Terminations

- Maintain the 1-1/2" clearances (air spaces) to combustibles when passing through ceilings, walls, roofs, enclosures, attic rafter, or other nearby combustible surfaces. Do not pack air spaces with insulation. Check the "Rigid Pipe Venting Systems" & "Rigid Pipe Venting Arrangements" sections for the maximum vertical rise of the venting system and the maximum horizontal offset limitations.

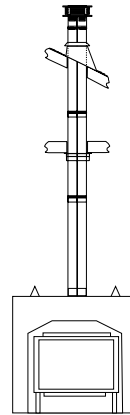
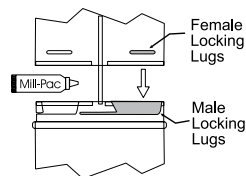


Diagram 1

- Set the gas appliance in its desired location. Drop a plumb bob from the ceiling to the position of the appliance flue exit, and mark the location where the vent will penetrate the ceiling. Drill a small hole at his point. Next, drop a plumb bob from the roof to the hole previously drilled in the ceiling, and mark the spot where the vent will penetrate the roof. Determine if ceiling joists, roof rafters or other framing will obstruct the venting system. You may wish to relocate the appliance or to offset, as shown in Diagram 2 to avoid cutting load bearing members.

Diagram 2



**NOTE: For best results and optimum performance with each approved venting system, it is highly recommended to apply "Mill-Pac" sealant (supplied) to every inner pipe connection. Failure to do so may result in drafting or performance issues not covered under warranty.**

- A Firestop spacer must be installed in the floor or ceiling of every level. To install the Firestop spacer in a flat ceiling or wall, cut a 10 inch square hole. Frame the hole as shown in Diagram 3 and install the firestop.

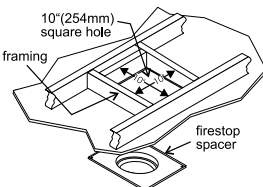


Diagram 3

- Assemble the desired lengths of pipe and elbows. Ensure that all pipes and elbow connections are in the fully twist-locked position and sealed.
- Cut a hole in the roof centered on the small drilled hole placed in the roof in Step 2. The hole should be of sufficient size to meet the minimum requirements for clearance to combustibles of 1-1/2". Slip the flashing under the shingles (shingles should overlap half the flashing) as per Diagram 4.

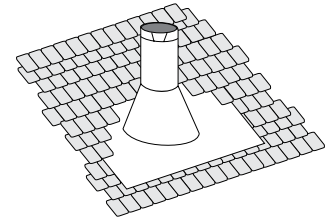


Diagram 4: The upper half of the flashing is installed under the roofing material and not nailed down until the chimney is installed. This allows for small adjustments.

- Continue to assemble pipe lengths.

**Note: If an offset is necessary in the attic to avoid obstructions, it is important to support the vent pipe every 3 feet, to avoid excessive stress on the elbows, and possible separation. Wall straps are available for this purpose (Diagram 2).**

Galvanized pipe is desirable above the roofline due to its higher corrosion resistance. Continue to add pipe sections through the flashing until the height of the vent cap meets the minimum height requirements specified in Diagram 5 or local codes. Note that for steep roof pitches,

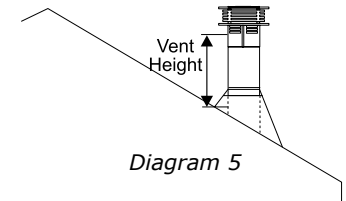


Diagram 5

Roof Pitch	Minimum Vent Height	
	Feet	Meters
flat to 7/12	2	0.61
over 7/12 to 8/12	2	0.61
over 8/12 to 9/12	2	0.61
over 9/12 to 10/12	2.5	0.76
over 10/12 to 11/12	3.25	0.99
over 11/12 to 12/12	4	1.22
over 12/12 to 14/12	5	1.52
over 14/12 to 16/12	6	1.83
over 16/12 to 18/12	7	2.13
over 18/12 to 20/12	7.5	2.29
over 20/12 to 21/12	8	2.44

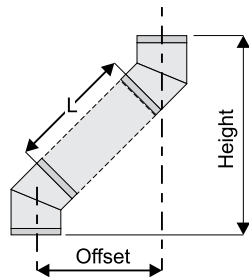
the vertical height must be increased. A poor draft, or down drafting can result from high wind conditions near big trees or adjoining roof lines, in these cases, increasing the vent height may solve the problem.

7. Ensure vent is vertical and secure the base of the flashing to the roof with roofing nails, slide storm collar over the pipe section and seal with a mastic.
8. Install the vertical termination cap by twist-locking it.

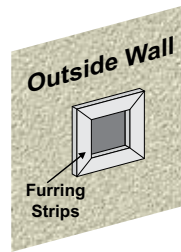
**Note: Any closets or storage spaces, which the vent passes through must be enclosed.**

## Offset Chart

GS 6"(152mm) Nominal Diameter ID					
Offset		Pipe Length (L)		Height	
inches	mm	inches	mm	inches	mm
4 3/4	121	0	0	13 1/4	337
9	229	6	152	17 1/2	445
11 1/4	286	9	229	19 1/2	495
13 1/4	337	12	305	21 3/4	552
21 3/4	552	24	610	30 1/4	768
30 1/4	768	36	914	39	991
38	965	48	1219	47	1194



**Note: To make the installation more aesthetically pleasing, we recommend framing out square to mount the terminal to.**



**Note: If installing termination on a siding covered wall, furring strips must be used to ensure that the termination is not recessed into the siding.**

2. Level the fireplace and fasten it to the framing using nails or screws through the nailing strips.
3. Assemble the vent assembly by applying Mill-Pac to the 4"(100mm) inner collar of the termination and slipping the 4"(100mm) liner over it at least 1-3/8" (35mm). Fasten with the 3 screws (drilling pilot holes will make this easier). Apply Mill-Pac to the 6-7/8"(175mm) flex pipe and slip it over the 6-7/8" outer collar of the vent terminal at least 1-3/8"(35mm) and fasten with the 3 screws.

**NOTE: Horizontal sections must be supported at intervals not exceeding 3 feet (0.9 meter). (Flame picture and performance will be affected by sags in the liner).**

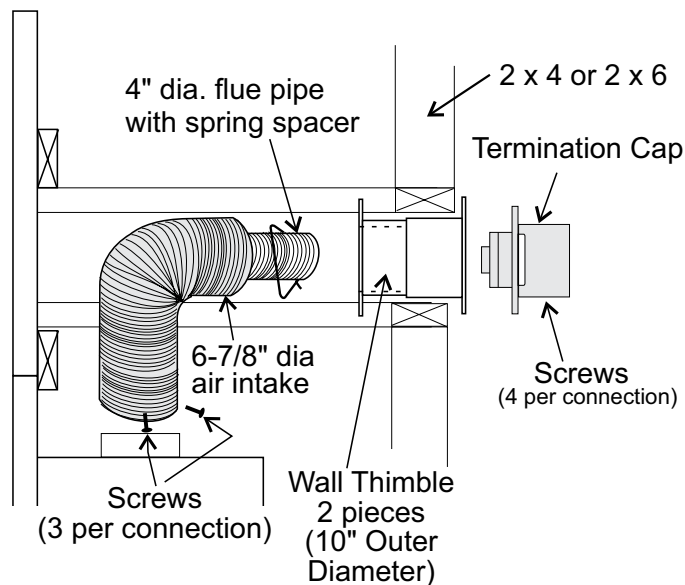
4. Separate the 2 halves of the wall thimble and securely fasten the one with the tabs to the outside wall making sure that the tabs are on top and bottom. Fasten the other thimble half to the inside wall. The thimble halves slip inside each other and can be adjusted for 2 x 4 or 2 x 6 walls. **The liners must slip over the collars a minimum of 1-3/8".**
5. Slip the assembled liner and termination assembly through the thimble making sure the termination cap faces up (there are markings on the cap that show which way is up). This will position the termination cap with proper down slope for draining water. Fasten the cap to the outer wall with the 4 supplied screws.
6. Pull the centre 4"(100mm) liner and outer 6-7/8"(175mm) liner out enough to slip over the flue collars of the fireplace. (You may wish to cut the liner shorter to make it more workable.) Do not bend liner more than 90°.
7. Apply Mill Pac over the fireplace inner collar and slip the 4"(100mm) liner down over it and attach with 3 supplied screws.
8. Do the same with the 6-7/8"(175mm) liner.
9. Apply a bead of silicone between the thimble and termination and around the outer edge of the terminal at the wall in order to keep the water out.

**IMPORTANT: Do not locate termination hood where excessive snow or ice buildup may occur. Be sure to check vent termination area after snow falls, and clear to prevent accidental blockage of venting system. When using snow blowers, make sure snow is not directed towards vent termination area.**

## Installation Procedures for FPI Direct Vent System (Flex)

1. Locate the unit in the framing, rough in the gas (preferably on the right side of the unit) and the electrical (Junction block is on the left side) on the left. Locate the centerline of the termination and mark wall accordingly. Cut a 10"(254mm) hole in the wall (inside dimension).

**Note: A 1-1/2"(38mm) clearance around the liner must be maintained except that only a 1" (25mm) clearance is needed at the termination end. We recommend framing a 10"(254mm) x 10"(254mm) (inside dimensions) hole to give structural rigidity for mounting the termination.**



# installation

## Vertical Termination

### 4" x 6-7/8" Venting - Vertical Flex Vent Kit (Part #946-755)

- Maintain the 1-1/2" (38 mm) clearance (air space) to combustibles when passing through ceilings, walls, floors, enclosures, attic rafters or other nearby combustibles. Do not pack air spaces with insulation. Check Venting sections for the maximum vertical rise of the venting system and the maximum horizontal offset limitations.  
Ensure that you maintain clearances around enclosures, walls, below or above floors, floor joists, etc. Each appliance has different clearance requirements (top,sides,bottom). See specific appliance manual for details.
- Set the appliance in its desired position. Drop a plumb bob down from the ceiling/floor joist to the position of the appliance flue exit and mark the location where the vent will penetrate the ceiling. Drill a small hole at this point. Next drop a plumb bob from the roof to the hole previously drilled at the ceiling level and mark the spot where the vent will penetrate the roof.
- Cut a hole in the roof centered on the small hole placed in the roof in the previous steps. The hole should be a minimum of 10-1/4 (260 mm) inches. The hole may be round and or square.
- Slip the flashing under the shingles and line up flashing so it is centered to the hole (shingles should overlap half of the flashing) as per Diagram 1.

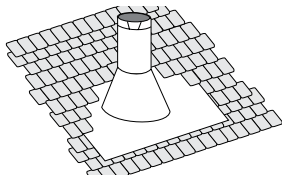


Diagram 1: The upper half of the flashing is installed under the roofing material and not nailed down until the chimney is installed. This allows for small adjustments.

Diagram 1

- A ceiling firestop/firestop spacer must be installed when passing through each floor or ceiling level. To install the ceiling firestop/firestop spacer in a flat ceiling or floor joist cut a 10- 1/4 (260 mm) inch square hole. Frame the hole as show in Diagram 1 and install the ceiling firestop. Slide the top attic insulation spacer onto the top of the attic insulation shield/firestop - See Diagram 1a. Secure with 4 screws/nails. If more than one is required, these can be purchased separately.

**Note:** The ceiling firestop/firestop spacer may be cut down to size if this shield is too high for the application.

*Firestop spacer to prevent debris from falling into the ceiling firestop*

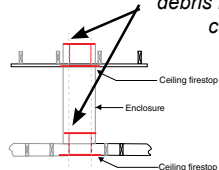
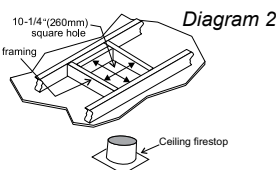


Diagram 2a

- Determine the overall height of the chimney from the top of the appliance to the underside of the flashing. If required cut the flexible inner and outer pipe to the desired length up to a maximum of 20 feet (6.1 m).
- Put a bead of Mill-Pac around the 4 inch (102 mm) collar on the appliance and slide the inner flex pipe over the inner collar of the appliance and secure with a minimum of 3 screws.
- Install 4 inch spacers around 4 inch (102 mm) flex.
- Repeat Step 7 to install the outer pipe to the outer collar of the appliance

**Note:** If an offset is necessary in the attic or floor joists it is important to support the vent pipe every 3 feet (0.91 m) to avoid excessive stress and sagging of the vent pipe. Wall straps are provided (3 in total) for this purpose. All round/plumbers strapping may also be used if further supports are required.

- Attach the rigid pipe section to the adaptor by using Mill-Pac on the inner/ outer pipe. Use 3 screws to secure outer pipe.

- Secure inner flex pipe to pipe adaptor by using Mill-Pac over the adaptor. Slide the inner pipe over adaptor and secure with 3 screws.
- Repeat Step 11 to secure outer flex.
- Slide the finished length up towards the flashing ensuring the length of pipe is a minimum of 2 feet (0,61 m) measured from the top of the roof. Level the chimney and secure using the roof support provided with kit to bottom side of the roof as shown using a minimum of 2 screws per side-see Diagram 3b. See Diagram 4 for roof pitch and height requirements. See Diagram 3a for securing method if 2 ft. (0,61 m) is insufficient and additional lengths are required, this may be purchased separately. See Simpson Duravent components list in the instruction manual for part numbers.

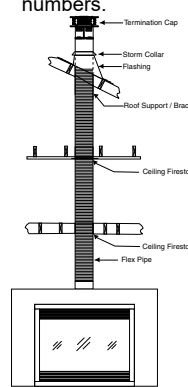


Diagram 3

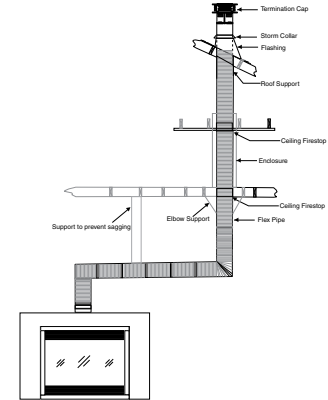


Diagram 3a

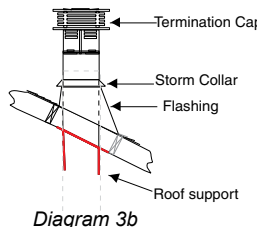


Diagram 3b

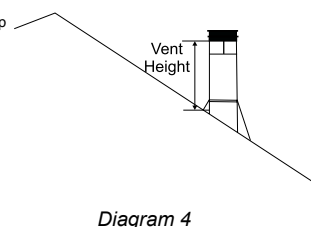


Diagram 4

Roof Pitch	Minimum Vent Height	
	Feet	Meters
flat to 7/12	2	0.61
over 7/12 to 8/12	2	0.61
over 8/12 to 9/12	2	0.61
over 9/12 to 10/12	2.5	0.76
over 10/12 to 11/12	3.25	0.99
over 11/12 to 12/12	4	1.22
over 12/12 to 14/12	5	1.52
over 14/12 to 16/12	6	1.83
over 16/12 to 18/12	7	2.13
over 18/12 to 20/12	7.5	2.29
over 20/12 to 21/12	8	2.44

- Put a bead of caulking on the exterior between the outer pipe and flashing to prevent water from penetrating the chimney system.
- Slide storm collar over pipe length until it reaches the flashing.
- Install termination cap by twist locking it.
- Secure the flashing to the roof using screws

**Note:** Any closets or storage spaces which the vent passes through must be enclosed.

## Vertical Flue Extension Kit (Part #946-756)

### 20 foot (6.1 m) Flex pipe Extension

(Used in conjunction with the 946-755 Vertical Flex kit and 948-367/P flex to flex adaptor).

1. Stretch out both inner 4" (102 mm) and outer 6 7/8" (175 mm) pipe up to a maximum of 20 feet.

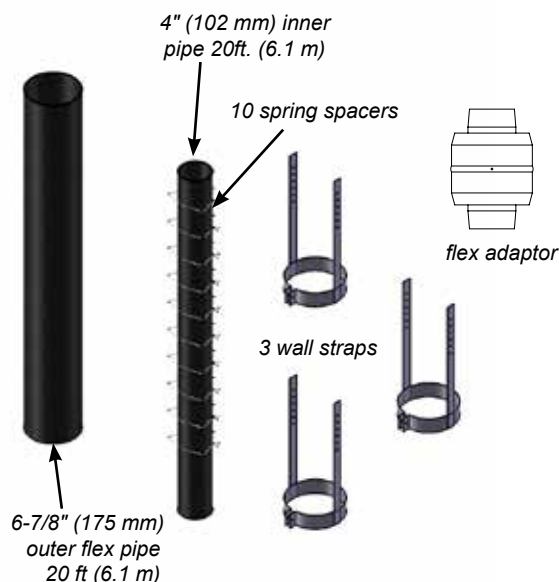
**Note:** The inner and outer pipes may be cut if only a short length is required.

2. Install spring spacers around 4" (102 mm) inner pipe as shown. Slide outer flex pipe over and all the way down the 4" pipe.
3. Apply a bead of Mill Pac around the perimeter of the 4" (102 mm) inner collar of the flex adaptor and slip the 4" (102 mm) inner flex pipe from the Vertical termination kit over the flex adaptor ensuring that the inner flex pipe overlaps the collar by at least 1-3/8" (35 mm). Fasten with 3 screws.
4. Apply a bead of Mill Pac around the perimeter of the 6-7/8" (175 mm) outer collar of the flue adapter and slip it over the 6-7/8" (175 mm) outer flex pipe ensuring that the outer flex pipe overlaps the collar by at least 1-3/8" (35 mm). Fasten with the 3 screws.
5. Repeat steps to secure the other end of the flex adapter using the flex kit.

6. See Vertical Vent installation instructions for installation of the complete vent system.

**Note:** If an offset is necessary in the attic or floor joists it is important to support the vent pipe every 3 feet (0.91 m) to avoid excessive stress and sagging of the vent pipe. Wall straps are provided (3 in total) for this purpose.

All round/plumbers strapping may also be used if further supports are required.



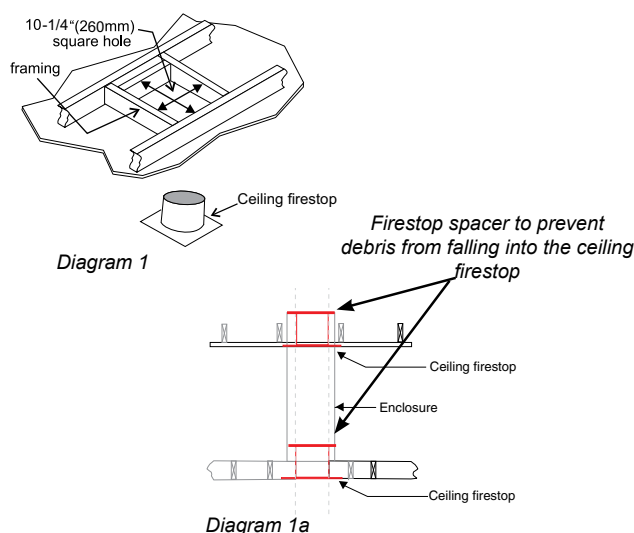
## Ceiling Firestop / Firestop Spacer (Part #946-757)

Used in conjunction with the 946-755 Vertical Flex Kit and the 946-756 Vertical Flex Extension Kit/Horizontal Power Vent Kit.

A ceiling firestop/firestop spacer must be installed when passing through each floor or ceiling level. To install the ceiling firestop/firestop spacer in a flat ceiling or floor joist, cut a 10- 1/4 inch square hole, frame it as show in Diagram 1, and install the ceiling firestop. Slide the top attic insulation spacer onto the top of the attic insulation shield/firestop (see Diagram 1a). Secure with 4 screws/nails. If more than one firestop is required, these can be purchased separately.

**NOTE**

- The ceiling firestop/firestop spacer may be cut down to size if the shield is too high for the application.



# installation

P90E-NG11 System Data	
For 0 to 4500 feet altitude	
<b>Burner Inlet Orifice Sizes:</b> #34	
<b>Max. Input Rating</b>	35,000 Btu/h
<b>Min. Input Rating</b>	23,500 Btu/h
<b>Supply Pressure</b>	min.5.0" w.c.
<b>Manifold Pressure (High)</b>	3.5"w.c.
P90E-LP11 System Data	
For 0 to 4500 feet altitude	
<b>Burner Inlet Orifice Sizes:</b> #51	
<b>Max. Input Rating</b>	31,500 Btu/h
<b>Min. Input Rating</b>	25,500 Btu/h
<b>Supply Pressure</b>	min.11.0" w.c.
<b>Manifold Pressure (High)</b>	10" w.c.
<b>Electrical:</b>	120 V A.C. System.
<b>Circulation Fan:</b>	variable speed 130 CFM.
<b>Log Set:</b>	Ceramic fibre, 7 per set.

## High Elevation

This unit is approved in Canada for altitude 0 to 4500 ft. (CSA 2.17).

## Gas Line Installation

The gas line is brought through the right side of the appliance. The gas valve is situated on the right hand side of the unit and the gas inlet is on the right hand side of the valve.

The gas line connection may be made of rigid pipe, copper pipe or an approved flex connector. (If you are using rigid pipe, ensure that the valve can be removed for servicing.) Since some municipalities have additional local codes it is always best to consult with your local authorities and the CSA B149.1 installation code.

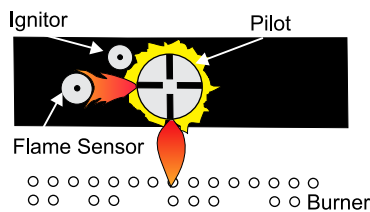
For USA installations follow local codes and/or the current National Fuel Gas Code, ANSI Z223.1.

When using copper or flex connectors use only approved fittings. Always provide a union so that gas lines can be easily disconnected for servicing. Flare nuts for copper lines and flex connectors are usually considered to meet this requirement.

**Important: Always check for gas leaks with a soap and water solution or gas leak detector. Do not use open flame for leak testing.**

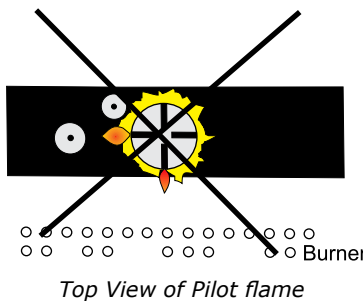
## Flame Pattern

**Periodically check the pilot and main burner flames. Correct pilot flame pattern has two strong blue flames: 1 flowing around the flame sensor and 1 flowing across the burner (it does not have to be touching the burner).**



**Note: If you have an incorrect flame pattern, contact your Regency® dealer for further instructions.**

**Incorrect flame pattern will have small, probably yellow flames, not coming into proper contact with the rear burner or flame sensor.**



Top View of Pilot flame

## Gas Pipe Pressure Testing

The appliance must be isolated from the gas supply piping system by closing its individual manual shut-off valve during any pressure testing of the gas supply piping system at test pressures equal to or less than 1/2 psig. (3.45 kPa). Disconnect piping from valve at pressures over 1/2 psig.

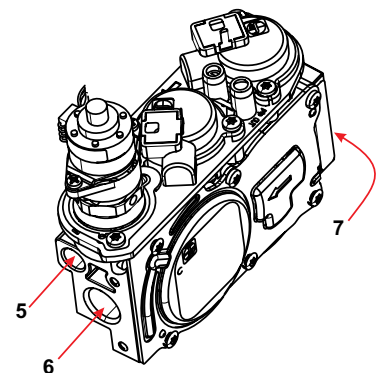
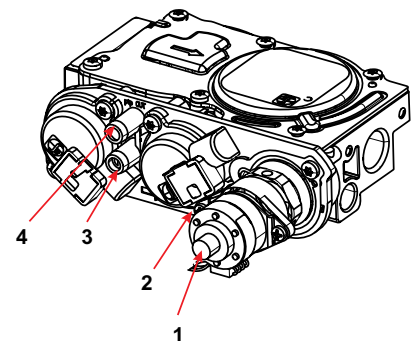
The manifold pressure is controlled by a regulator built into the gas control, and should be checked at the pressure test point.

**Note: To properly check gas pressure, both inlet and manifold pressures should be checked using the valve pressure ports on the valve.**

1. Make sure the valve is in the "OFF" position.
2. Loosen the "IN" and/or "OUT" pressure tap(s), turning counterclockwise with a 1/8" wide flat screwdriver.
3. Attach manometer to "IN" and/or "OUT" pressure tap(s) using a 5/16" ID hose.
4. Light the pilot and turn the valve to "ON" position.
5. The pressure check should be carried out with the unit burning and the setting should be within the limits specified on the safety label.
6. When finished reading manometer, turn off the gas valve, disconnect the hose and tighten the screw (clockwise) with a 1/8" flat screwdriver. **Note: Screw should be snug, but do not over tighten.**

## 885 S.I.T. Valve Description

- 1) 6 Stage flame adjustment
- 2) Pilot adjustment
- 3) Outlet Pressure Tap
- 4) Inlet Pressure Tap
- 5) Pilot Outlet
- 6) Main Gas Outlet
- 7) Main Gas Inlet



Conversion from NG to LP

**THIS CONVERSION MUST BE DONE BY A QUALIFIED GAS FITTER  
IF IN DOUBT DO NOT DO THIS CONVERSION !!**

**Each Kit contains one LP Conversion Kit #792-977**  
LP Conversion Kit Contains:

Qty.	Part #	Description
1	904-645	Burner Orifice #51
1	918-590	Decal "Converted to LPG"
1	908-528	Red "LPG" label
1	904-529	5/32" Allen Key
1	911-011	Hi/Lo regulator
1	910-037	LPG Injector (Pilot Orifice)
1	920-003	Instruction Sheet

**Installation of the LP Conversion Kit:**

- 1) Shut off the gas and electrical supply.
- 2)
  - a) Remove the safety screen and face-plate, if installed.
  - b) Open and remove the glass door.
  - c) Remove the logs, embers, and brick panels (if used).
- 3) Remove the 2 screws holding the Burner Assembly to the firebox base. Push the Burner Assembly to the left and lift out.



Remove the 2 screws, push Burner Assembly to the left and lift out.

- 4) Remove the wire clip below the pilot cap.



Pilot retainer clip

- 5) Pull off the pilot cap to expose the pilot orifice.



- 6) Unscrew the pilot orifice with the allen key; then replace with the LP pilot orifice and the pilot cap, provided in the kit.



- 7) Remove burner orifice with a 1/2" wrench. Use another wrench to hold on to the elbow behind the orifice. Discard orifice.



Burner Orifice

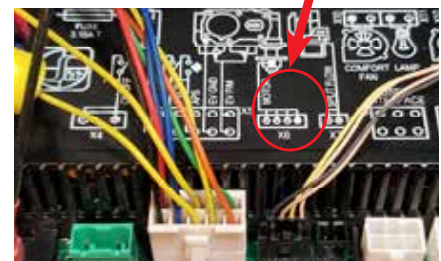
- 8) Reinstall new burner orifice LP stamped #51 and tighten

**WARNING!**  
Also check that the pilot and main burner injectors are appropriate for the gas type.

- 9) Remove the Heat shield on the IFC board by removing two (2) Phillips head screws then sliding the top of the heat shield out and away. This will expose the IFC board.



- 10) Disconnect the NG stepper motor wires from the IFC (Intermittent Fireplace Control) in locations shown below.



- 11) Remove Hi/Lo pressure regulator by removing 2 screws as shown below. Reverse steps to install LP pressure regulator. Reattach pressure regulator wire.



- 12) Attach the label "This unit has been converted to LPG" near or on top of the serial # decal.

- 13) Replace yellow "NG" label with red "LPG" label.

- 14) Reverse steps 3 - 1.

- 15) Check for gas leaks.

- 16) Check inlet and outlet pressures.

- 17) Check operation of flame control. Air shutter should be set to a minimum of 5/16" open.

**Installer Notice:**  
These instructions must be left with the appliance.

# installation

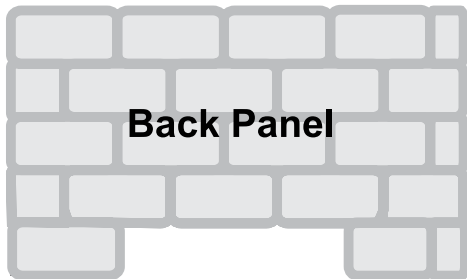
## Optional Brick Panels

1. Remove Arch Surround, if already installed.

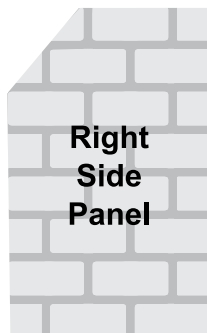
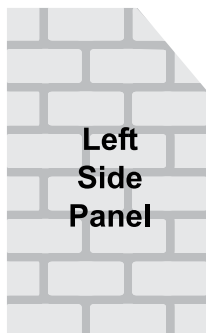
2. Remove glass door. Remove logs.

**Note: The logs must not be in the unit.**

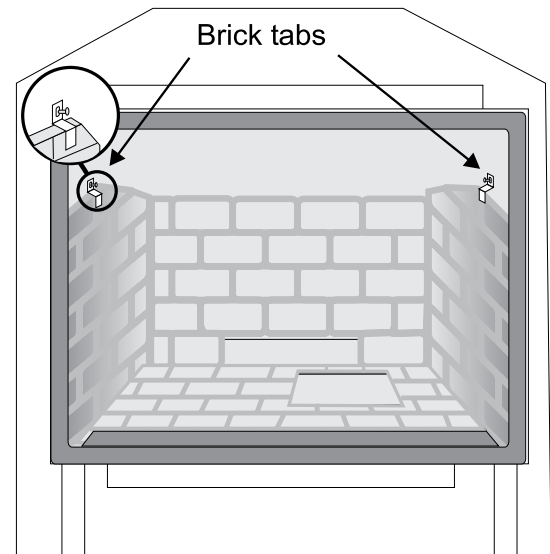
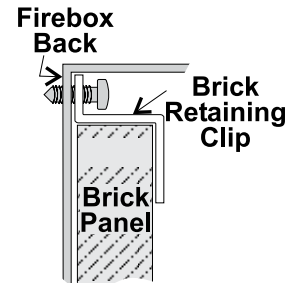
3. Insert the back brick panel first by carefully slipping it between the back wall of the firebox and the rear log bracket.



4. Put the side panels in next. Slide them in from the front and push them flat up against the wall. Be very careful not to scratch them on the firebox hardware.



5. Install the 2 brick retaining clips, one on each side.



**Note:**

If the bottom brick panel must be removed: Remove the Rear Log Stand, then remove the Burner Tray. See the "Removing Valve" section.



## Log Set Installation

Read the instructions below carefully and refer to the diagrams. If logs are broken do not use the unit until they are replaced. Broken logs can interfere with the pilot operation.

The gas log kit (Part #780-930) contains the following pieces:

- a) 02-75 Rear Log
- b) 02-55 Middle Left Log
- c) 02-50 Front Left Log
- d) 02-53 Center Left Log
- e) 02-51 Front Bottom Log
- f) 02-54 Center Right Log
- g) 02-52 Middle Right Log
- h) 902-156 Embers
- i) 902-179 Vermiculite
- j) 946-669 Platinum Embers (supplied with packaged manual)

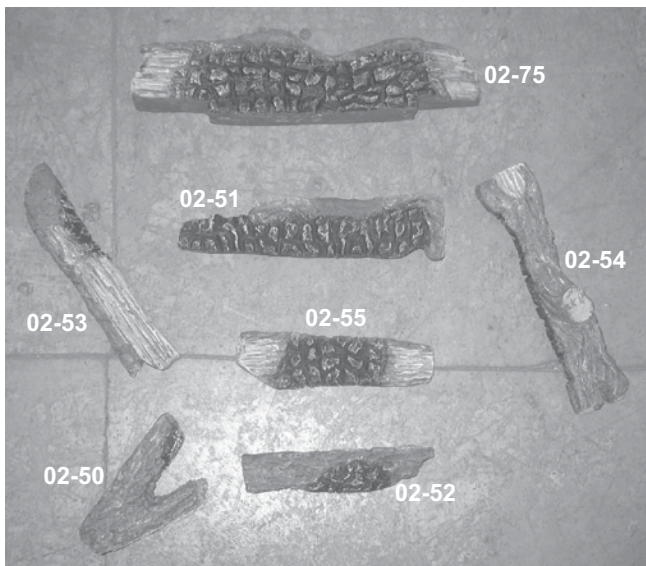
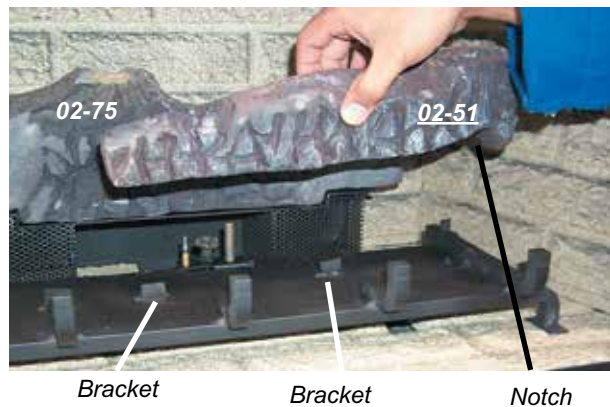
**NOTE:** If you will be installing the optional Brick Panels (P36D & P90 only), install the Brick Panels prior to installing the logs.

Model shown has P36D and P90 burner/grate with brick panel option.

- 3) Place the Log 02-75 on the rear log support pins with the flat side to the back.



- 4) Place Log 02-51 on the front right side of the burner. Push the back of the log against the 2 brackets with the notch on the bottom right side of the log fitting into the right side of the grate.



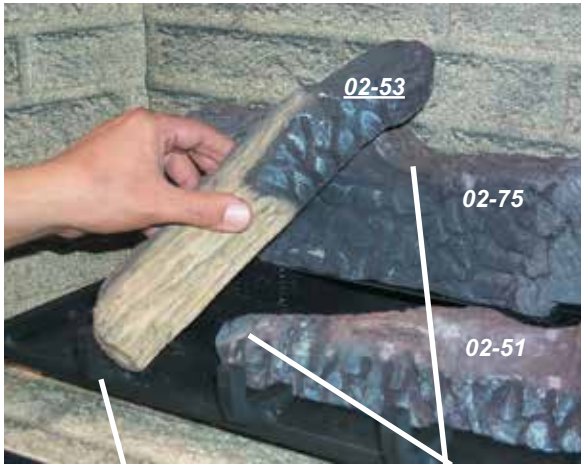
The "02" reference numbers (i.e. 02-75) are molded into the rear of each log.

- 1) Carefully remove the logs from the box and unwrap them. The logs are fragile, handle with care - **do not force into position.**
- 2) Sprinkle the vermiculite over base brick panel.



# installation

- 5) Position Log 02-53 across the cutouts in Logs 02-75 and 02-51 with the notch on the left side of the log fitting into the 2nd grate tab.



2nd Grate Tab

Cutouts



5th Grate Tab

- 7) Place the bottom left front edge of Log 02-55 against the rear bracket on the burner tray and rest the log on the cutout on Log 02-53.



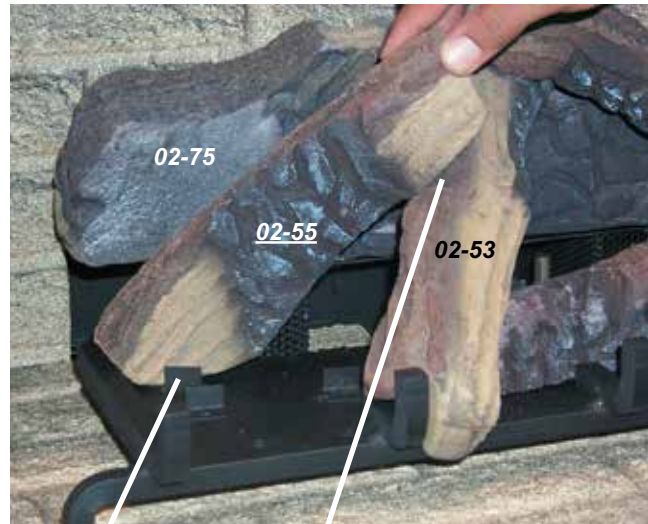
02-53

02-51

- 6) Position Log 02-54 across the cutouts in Logs 02-51 and 02-53. The notch in the bottom right end fitting against the 5th grate tab.



5th Grate Tab



Rear Bracket

Cutouts

- 8) Place Log 02-52 between Logs 02-51 and 02-75 and on the indentation on Log 02-54. The bottom right end sits behind the rear grate tab.

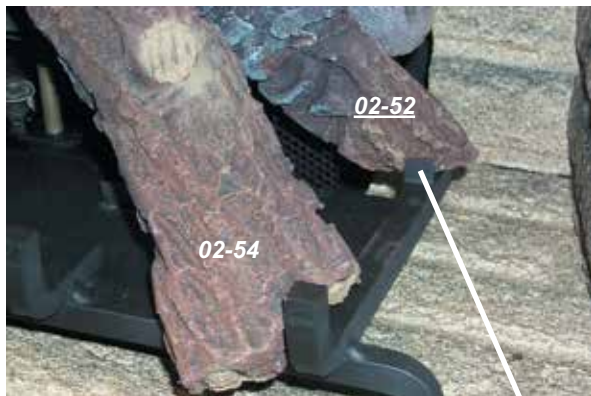


Log Indentation

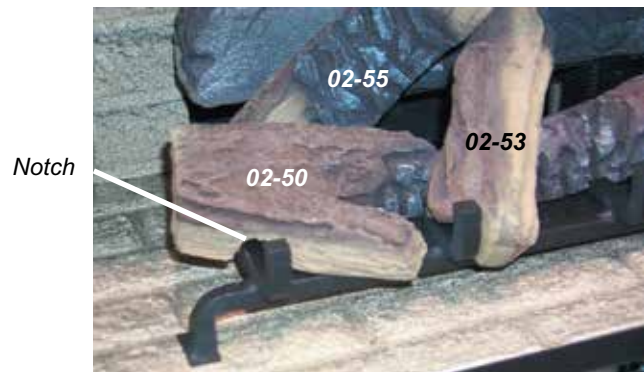
- 9) Sit Log 02-50 on the front left side of the burner. Push the back of the log against the 2 front brackets with the notch on the bottom of the log fitting into the first grate tab.



Front Brackets



Rear Grate Tab

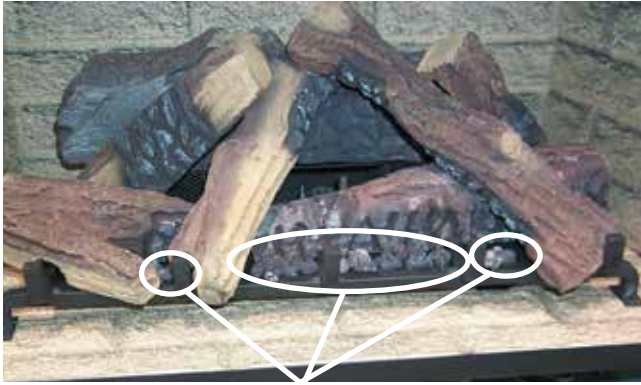


**Photo shows rear grate tab.**  
Log 02-51 was removed to show the positioning of Log 02-52.

# installation

- 10) Place the embers on the front of the burner tray in the places shown on the photos below.

Separate platinum embers and place on the front burner on and around the embers. Avoid stacking platinum embers. Platinum embers may be placed over burner ports.



Place embers in these 3 locations on the burner tray.



Do not block the burner ports in this area adjacent to the Log 02-54

## **IMPORTANT**

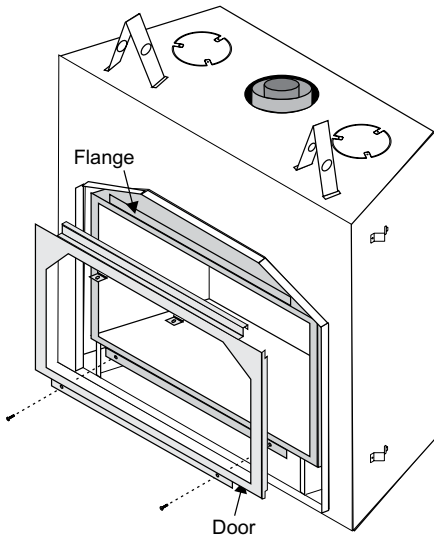
When placing Embers, do not block burner ports as this can cause an incorrect flame pattern, carbon deposits and delayed ignition.

- 11) Test fire to ensure proper light off (make sure flame flows smoothly from one end of burner to the other). If there is any flame hesitation, check that area for any blockage of the burner ports.



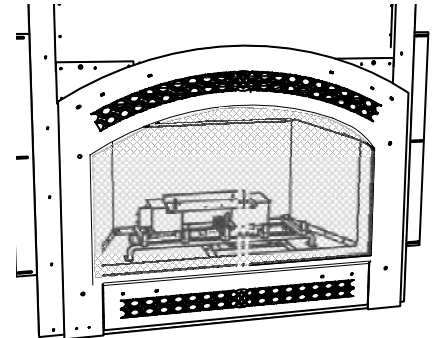
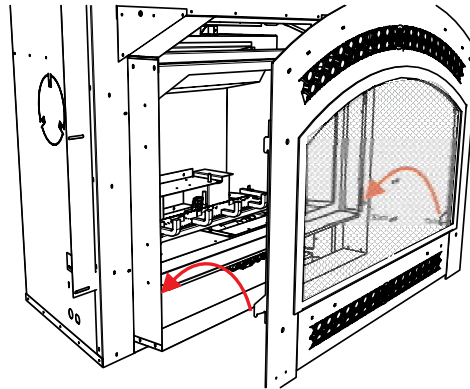
## Glass Door Installation

1. Fit top door bracket over the flange at the top of the firebox.
2. Secure with 2 screws on the bottom.



## Arch Surround and Safety Screen Installation

1. Lift Arch Surround /Safety Screen, hook lower tabs on surround into lower slots on bracket within unit—as shown in diagram below.



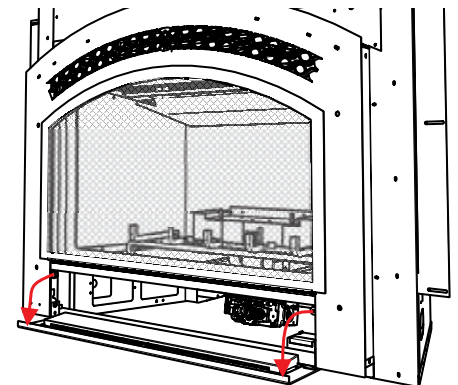
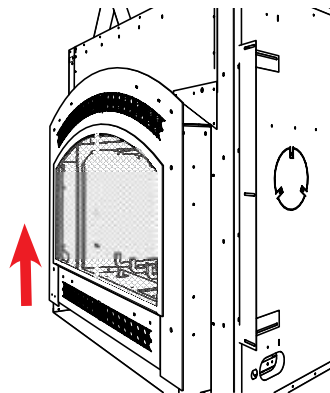
*Final install*

3. To remove—lift surround straight up, then pull forward.

**Note:** There is an access door at the bottom of the surround that can be opened by flipping down 90°.

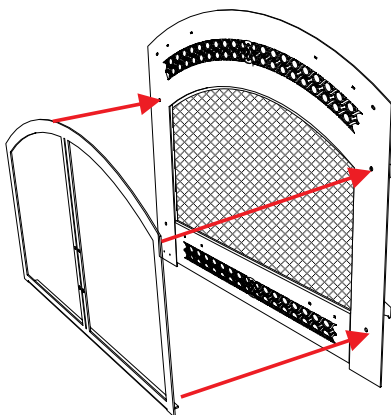
*Surround attached by lower tabs only*

2. Line up surround so it is parallel with the unit, lift surround slightly—lower gently until upper tabs seat into upper slots on the bracket within the unit.



## Double Door Installation

1. The optional decorative double doors can be added to the Arch surround by attaching with 4 magnets as shown below.



# operating instructions

## Aeration Adjustment

The air shutter can be adjusted by moving the adjusting wire up or down. The wire is accessed through the bottom louver opening. Open the air shutter for a blue flame or close for a more yellow flame. The burner aeration is factory set but may need adjusting due to either the local gas supply or altitude.

### Minimum Air Shutter Opening:

**3/16" Natural Gas**  
**5/16" Propane**

**CAUTION:** Carbon will be produced if air shutter is closed too much.

**Note:** Any damage due to carboning resulting from improperly setting the aeration controls is NOT covered under warranty.

**Note:** Aeration Adjustment should only be performed by an authorized Excalibur® Installer at the time of installation or service.



*Adjustment Wire: Push to close or pull to open aeration cap.*

**Closed - Tall yellow**  
**Open - Short Blue**

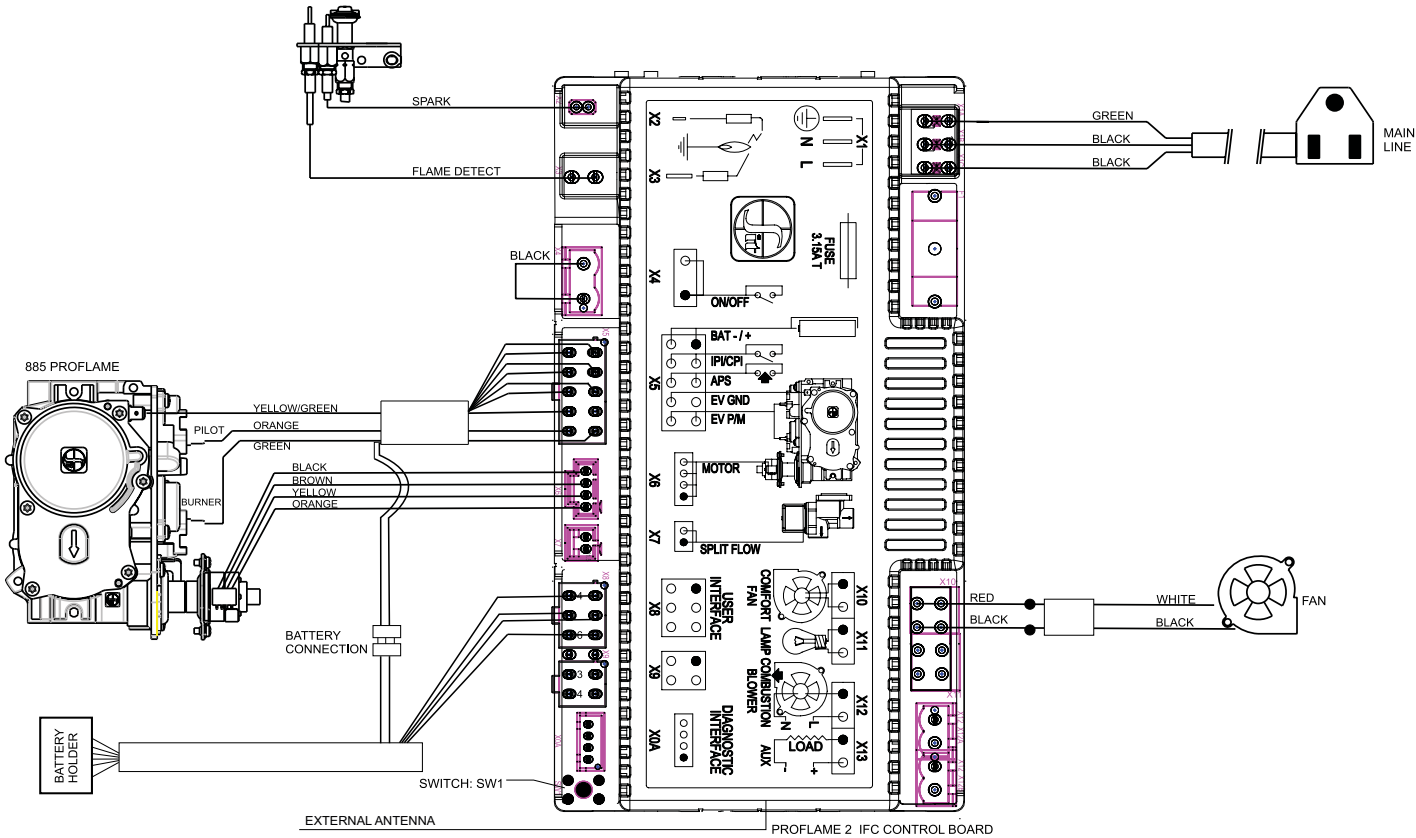
Wiring Diagram without Thermostat

**WARNING:**  
**Electrical Grounding**  
**Instructions**  
 This appliance is equipped with a three pronged (grounding) plug for your protection against shock hazard and should be plugged directly into a properly grounded three-prong receptacle. Do not cut or remove the grounding prong from this plug.

Though this heater does not require 120 volt AC supply for burner operation, it is recommended as a primary power source and is required for the optional blower. Batteries should only be used as a secondary power source when power is lost within the home.

**CAUTION: Ensure that the wires do not touch a hot surface and are away from sharp edges.**

**Note:**  
 4 AA Batteries must be installed into the back up battery compartment however for this unit to operate when power is lost. See battery back up instructions in this manual The fan and or lights will not operate during a power outage.



# installation

## Optional Wall Thermostat

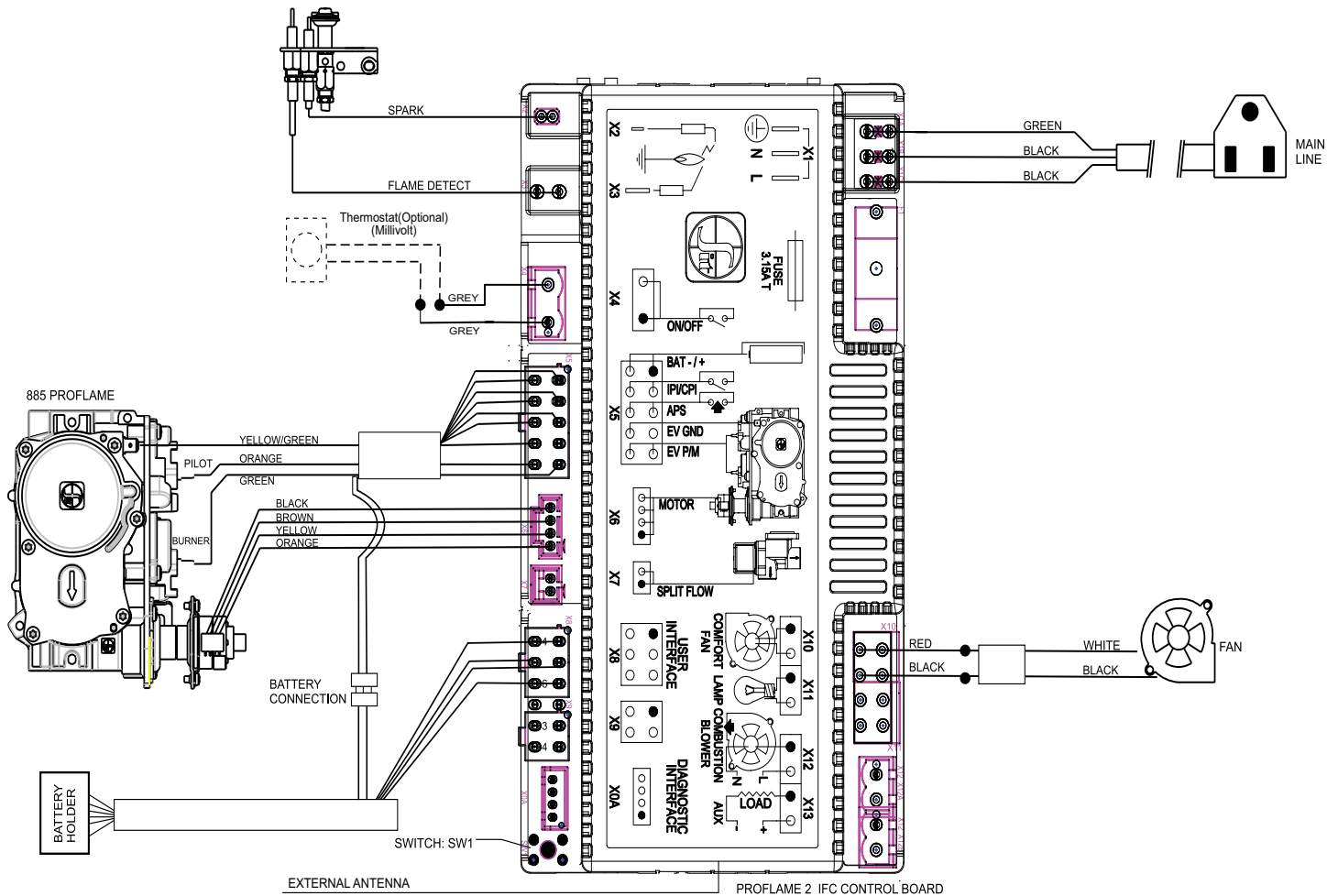
A wall thermostat may be installed if desired. Connect the wires as per the wiring diagrams.

**Note: Preferable if the thermostat is installed on an interior wall.**

Regency® offers an optional programmable thermostat but any 250-750 millivolt rated non-anticipator type thermostat that is CSA, ULC or UL approved may be used.

**CAUTION**  
**Do not connect the millivolt wall thermostat wires to the 120V wires.**

## Wiring Diagram with Optional Thermostat





## First Fire

The **FIRST FIRE** in your stove is part of the paint curing process. To ensure that the paint is properly cured, it is recommended that you burn your fireplace for at least four (4) hours the first time you use it with the fan on. When first operated, the unit will release an odour caused by the curing of the paint and the burning off of any oils remaining from manufacturing. Smoke detectors in the house may go off at this time. Open a few windows to ventilate the room for a couple of hours. The glass may require cleaning.

**DO NOT ATTEMPT TO CLEAN THE GLASS WHILE IT IS STILL HOT!**

**Note: When the glass is cold and the appliance is lit, it may cause condensation and fog the glass. This condensation is normal and will disappear in a few minutes as the glass heats up.**

**DO NOT BURN THE APPLIANCE WITHOUT THE GLASS FRONT IN PLACE.**

**During the first few fires, a white film may develop on the glass front as part of the curing process. The glass should be cleaned or the film will bake on and become very difficult to remove. Use a non-abrasive cleaner and NEVER clean the glass while it is hot.**

## Operating Instructions

- 1) Read and understand these instructions before operating this appliance.
- 2) Check to see that all wiring is correct and enclosed to prevent possible shock.
- 3) Check to ensure there are no gas leaks.
- 4) Make sure the glass in the door frame is properly positioned. Never operate the appliance with the glass removed. Never strike the glass or slam the door shut.
- 5) Verify that the venting and cap are unobstructed.
- 6) Verify log placement. If the pilot cannot be seen when lighting the unit - the logs have been incorrectly positioned.
- 7) The unit should never be turned off, and on again without a minimum of a 60 second wait. This remote control requires coding. See remote coding instructions for details.

**NOTE:** This appliance will operate with 4 AA back-up batteries installed (see Back-up Battery section for details) during power outages. Only the fan and light will not operate until power is restored. If the remote is misplaced, the unit can be shut off by flipping the main **ON/OFF** switch, located behind the front cover plate, to the **OFF** position.

**IMPORTANT:** The remote control system supplied with this appliance has several options for starting/operating the appliance, please read the remote control operating instructions (packed with remote control) to understand how to operate this remote system.

## Operation Using an Optional Wall Thermostat

This unit ships with a full function remote control as standard equipment. This allows for basic on/off function as well as the ability to operate as a thermostat. With the addition of an optional wall cradle (820-477-AWT available from an authorized dealer) the remote can reside on a wall and carry out all the functions of a typical millivolt wall thermostat as well as being able to control the fan speed, and the flame height. This is the recommended procedure for operating the unit with a thermostatic set point. If a millivolt wall thermostat is required for bedroom installation or as preferred method of controlling the stove, see noted option.

**Wall thermostat and remote.** Set the wall thermostat to the desired set point, then place the remote transmitter in either SMART or thermostatic mode with a set point 5 degrees above the set point on the wall thermostat. The burner will fire until the set point on the wall thermostat is satisfied. The remote will remain connected and allow full control of all accessories.

# operating instructions

## Proflame II Battery Holder Battery Replacement & Battery Back Up if 120 Volt Power is lost

To operate the stove during a power outage or when power is not available see the following steps.

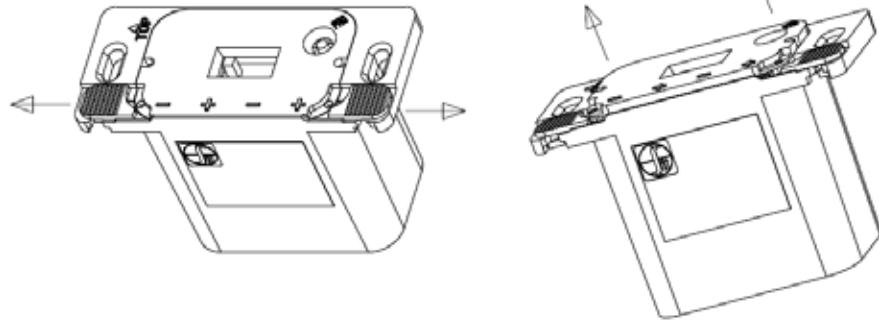
How to replace/add the batteries on battery holder (Proflame 2).

Note : If a wall switch cover plate is installed, first remove cover plate by removing 2 small phillips head screws

### STEP 1

Move both the left/right slides as shown below.

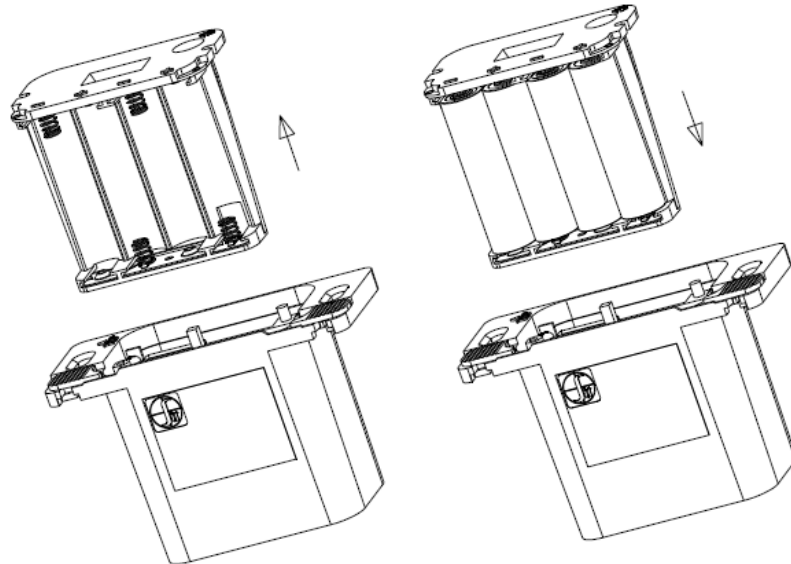
The battery compartment will be pushed out slightly, to allow to easily extract it



### STEP 2

Extract the battery compartment from the remote receiver/battery holder

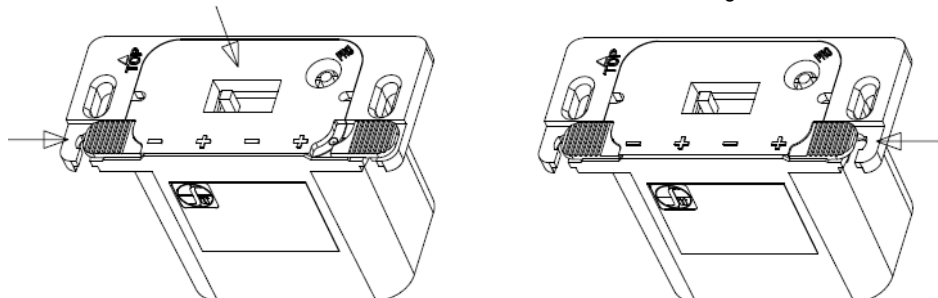
Replace 4 x AA batteries and insert the battery compartment back into remote receiver/battery holder



### STEP 3

Keeping the battery compartment pressed in, close the left slide

Close the right slide



STEP 4 Reinstall wall cover plate with 2 Phillips head screws.

## Normal Operating Sounds of Gas Appliances

It is possible that you will hear some sounds from your gas appliance. This is perfectly normal due to the fact that there are various gauges and types of steel used within your appliance. Listed below are some examples. All are **normal operating sounds** and should not be considered as defects in your appliance.

### Blower:

Excalibur® gas appliances use high tech blowers to push heated air farther into the room. It is not unusual for the fan to make a "whirring" sound when ON. This sound will increase or decrease in volume depending on the speed setting of your fan speed control.

### Burner Tray:

The burner tray is positioned directly under the burner tube(s) and logs and is made of a different gauge material from the rest of the firebox and body. Therefore, the varying thicknesses of steel will expand and contract at slightly different rates which can cause "ticking" and "cracking" sounds. You should also be aware that as there are temperature changes within the unit these sounds will likely re-occur. Again, this is normal for steel fireboxes.

### Blower Thermodisc:

When this thermally activated switch turns ON it will create a small "clicking" sound. This is the switch contacts closing and is normal.

### Pilot Flame:

While the pilot flame is on it can make a very slight "whisper" sound.

### Gas Control Valve:

As the gas control valve turns ON and OFF, a dull clicking sound may be audible, this is normal operation of a gas regulator or valve.

### Unit Body/Firebox:

Different types and thicknesses of steel will expand and contract at different rates resulting in some "cracking" and "ticking" sounds will be heard throughout the cycling process.

## Maintenance Instructions

- 1) Always turn off the valve before cleaning. For relighting, refer to lighting instructions. Keep the burner and control compartment clean by brushing and vacuuming at least once a year. When cleaning the logs, use a soft clean paint brush as the logs are fragile and easily damaged.

- 2) Clean glass (never when unit is hot), appliance, and door with a damp cloth. Never use an abrasive cleaner.
- 3) The heater is finished in a porcelain finish or with a heat resistant paint and should only be refinished with heat resistant paint (not with wall paint).

Never use an abrasive cleaner on the porcelain finish as it may scratch the surface.

- 4) Make a periodic check of burner for proper position and condition. Visually check the flame of the burner periodically, making sure the flames are steady; not lifting or floating. If there is a problem, call a qualified service person.

- 5) **CAUTION:** Label all wires prior to disconnection when servicing controls. Wiring errors can cause improper and dangerous operation.

- 6) The appliance and venting system must be inspected before use, and at least annually, by a qualified field service person, to ensure that the flow of combustion and ventilation air is not obstructed.

During the annual service call, the burners should be removed from the burner tray and cleaned. Replace the embers but do not block the pilot.

- 7) Keep the area near the appliance clear and free from combustible materials, gasoline, and other flammable vapours and liquids.

**WARNING: CHILDREN AND ADULTS SHOULD BE ALERTED TO THE HAZARDS OF HIGH SURFACE TEMPERATURE AND SHOULD STAY AWAY TO AVOID BURNS OR CLOTHING IGNITION. YOUNG CHILDREN SHOULD BE CAREFULLY SUPERVISED WHEN THEY ARE IN THE SAME ROOM AS THE APPLIANCE.**

**DO NOT USE THIS APPLIANCE IF ANY PART HAS BEEN UNDER WATER. IMMEDIATELY CALL A QUALIFIED SERVICE TECHNICIAN TO INSPECT THE APPLIANCE AND TO REPLACE ANY PART OF CONTROL SYSTEM AND ANY GAS CONTROL WHICH HAS BEEN UNDER WATER.**

**CLOTHING OR OTHER FLAMMABLE MATERIAL SHOULD NOT BE PLACED ON OR NEAR THE APPLIANCE.**

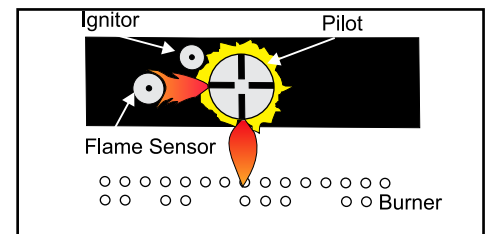
**CAUTION: ANY SAFETY SCREEN OR GUARD REMOVED FOR SERVICING AN APPLIANCE MUST BE REPLACED PRIOR TO OPERATING THE APPLIANCE.**

- 8) Each time the appliance is lit, it may cause condensation and fog the glass. This condensation and fog is normal and will disappear in a few minutes as the glass heats up.

**Never operate the appliance without the glass properly secured in place.**

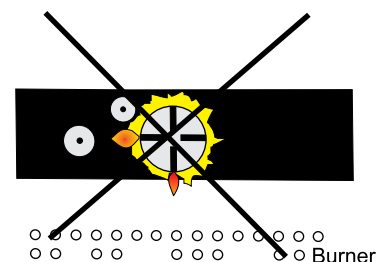
## Flame Pattern

**Periodically check the pilot and main burner flames. Correct pilot flame pattern has two strong blue flames: 1 flowing around the flame sensor and 1 flowing across the burner (it does not have to be touching the burner).**



**Note: If you have an incorrect flame pattern, contact your Regency® dealer for further instructions.**

**Incorrect flame pattern will have small, probably yellow flames, not coming into proper contact with the rear burner or flame sensor.**



Top View of Pilot flame

# maintenance

## Maintenance Instructions

1. Always turn off the gas valve before cleaning. For relighting, refer to lighting instructions. Keep the burner and control compartment clean by brushing and vacuuming at least once a year. When cleaning the logs, use a soft clean paint brush as the logs are fragile and easily damaged.
2. Clean appliance and door with a damp cloth (never when unit is hot). Never use an abrasive cleaner. The glass should be cleaned with a gas fireplace glass cleaner. **The glass should be cleaned when it starts looking cloudy.**
3. The heater is finished in a heat resistant paint and should only be refinished with heat resistant paint. Excalibur® uses StoveBright Paint - Metallic Black #6309.
4. Make a periodic check of burner for proper position and condition. Visually check the flame of the burner periodically, making sure the flames are steady; not lifting or floating. If there is a problem, call a qualified service person.
5. The appliance and venting system must be inspected before use, and at least annually, by a qualified field service person, to ensure that the flow of combustion and ventilation air is not obstructed.

**Note: Never operate the appliance without the glass properly secured in place.**

6. Do not use this appliance if any part has been under water. Immediately call a qualified service technician to inspect the appliance and to replace any part of the control system and any gas control which has been under water.
7. Verify operation after servicing.

## General Vent Maintenance

Conduct an inspection of the venting system semi-annually. Recommended areas to inspect as follows:

1. Check the Venting System for corrosion in areas that are exposed to the elements. These will appear as rust spots or streaks, and in extreme cases, holes. These components should be replaced immediately.
2. Remove the Cap, and shine a flashlight down the Vent. Remove any bird nests, or other foreign material.

3. Check for evidences of excessive condensation, such as water droplets forming in the inner liner, and subsequently dripping out the joints. Continuous condensation can cause corrosion of caps, pipe, and fittings. It may be caused by having excessive lateral runs, too many elbows, and exterior portions of the system being exposed to cold weather.
4. Inspect joints, to verify that no pipe sections or fittings have been disturbed, and consequently loosened. Also check mechanical supports such as Wall Straps, or plumbers' tape for rigidity.

## Log Replacement

The unit should never be used with broken logs. Turn off the gas valve and allow the unit to cool before opening door and carefully remove the logs. (The pilot light generates enough heat to burn someone.) If for any reason a log should need replacement, you must use the proper replacement log. The position of these logs must be as shown in the diagrams under Log Installation.

**Note: Improper positioning of logs may create carbon build-up and will severely alter the unit's performance which is not covered under warranty.**

## Glass Gasket

If the glass gasket requires replacement use a tadpole glass gasket (Part # 846-697).

## Door Glass

Your Excalibur® fireplace is supplied with high temperature, 5 mm Neoceram ceramic glass that will withstand the highest heat that your unit will produce. If your glass requires cleaning, we recommend using an approved glass cleaner available at all authorized dealers. Do not use abrasive materials. Do not clean the glass when hot.

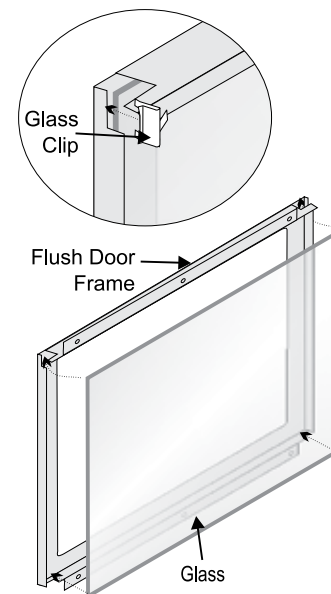
In the event that you break your glass by impact, purchase your replacement from an authorized Excalibur® dealer only, and follow our step-by-step instructions for replacement. Part #940-326/P Replacement Glass (Includes Glass Gasket).

**WARNING: Do not operate the appliance with the glass panels removed, cracked or broken. Replacement of the glass panels should be done by a licensed or qualified service person.**

**Caution: Wear gloves when removing damaged or broken glass.**

## Glass Replacement

Remove the glass door front (Refer to the "Glass Door Installation" section). Remove the 4 glass clips from each corner. Slide in the new replacement glass. Push the 4 glass clips back onto the frame. **The glass must have gasketing around it.**



## Fan Maintenance

To remove fan, follow steps below.

120 Volt AC power is needed for the fan. The fan can be hard wired if desired. The outlet should be installed in the receptacle box on the left hand side by a qualified electrician. The neutral (wider) slot of the polarized outlet should be at the top.

**Unit must be grounded at all times. Do not cut the ground terminal off under any circumstances.**

### To Install the Fan

1. Remove the bottom louver door.
2. Shut the power off by disconnecting 120 volt power cord at receptacle.
3. Disconnect 2 wires at fan motor and ground wire at ground lug.
4. Slide the fan in towards the front of the unit to remove from fireplace.

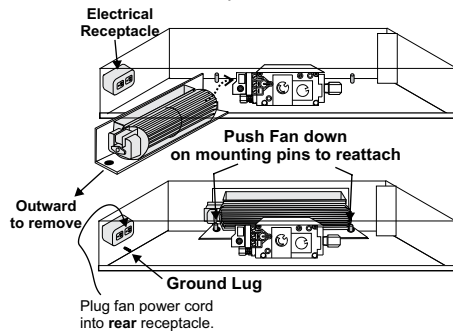


Diagram 1

5. To put fan assembly back into place, slip it over the two mounting studs. Take care not to damage the insulation on the fan base. **Ensure that the fan blades do not rub against the valve tubing.** See Diagram 1.  
Hint : Use a small amount of dish soap on the pins as this will make it easier to slide fan back into place.
6. Connect fan ground cable to ground lug and 2 wires removed from step 3. Ensure that there is no interference with the wires when the louver is closed and that no wire will touch the hot metal surfaces or sharp edges.
7. Plug the fan power cord into the rear end of the receptacle box to provide the maximum clearance from the louvers. Ensure all wires are neatly tucked away and away from the firebox base.

### IMPORTANT:

**These fans collect a lot of dust from within your home. Ensure you maintain these fan motors on a regular basis by vacuuming the fan blades and the housing with a soft brush nozzle.**

## Valve Assembly Maintenance

### To Remove Valve Assembly

1. Shut off electrical and gas supply.
2. Remove arch surround and double doors (if installed).
3. Remove glass door (refer to the glass door installation section).
4. With the gas shut off, disconnect gas connection at gas valve.
5. Remove the logs, media from the burner and remove brick panels (if installed).
6. Remove the burner grate assembly by removing the two (2) Phillips head screws (Diagram 1) and then remove the base brick panel surrounding the burner (Diagram 2), then slide the burner assembly to the left and out.



Diagram 1



Diagram 2

7. With the burner assembly out and put to one side, disconnect the orange, green and yellow wires from the valve.

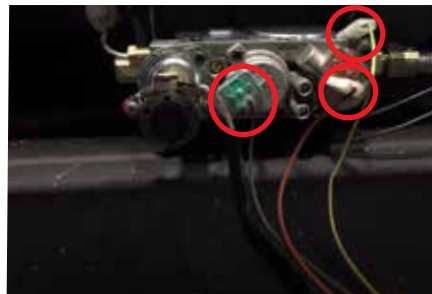


Diagram 3

8. With the wires disconnected from the valve, remove the heat shield on the IFC board by removing two (2) Phillips head screws, then slide the top of the heat shield out and away. This will expose the IFC board.



Diagram 4

9. Remove the spark electrode wire and flame sensor wire from the IFC located at X2 and X3.



Diagram 5

10. With the wires removed from the IFC board and the valve, remove the rear log tray by removing two (2) Phillips head screws.



Diagram 6

# maintenance

11. Remove the twelve (12) Phillips head screws from the valve tray, and then remove the valve tray by lifting up and out. Replace with new valve assembly and reverse steps. If replacing valve only, see following steps.



Diagram 7

## To Remove the Valve Only

1. Remove pilot nut with 11mm (7/16") wrench (Diagram 1). Then remove burner supply tube from 90 degree brass fitting on valve with 15mm (5/8") wrench (Diagram 2). Once the supply tube has been removed from the 90 degree brass fitting remove the 90 degree brass fitting from the valve with a 17 mm (11/16") wrench (Diagram 3). Lastly remove supply tube from valve with 19 mm (3/4") wrench (Diagram 4). **Note orientation of 90 Degree Brass fitting.**



Diagram 1



Diagram 2



Diagram 3



Diagram 4

2. Remove two (2) Phillips head screws on each side of the valve then remove valve from mounting bracket.



Diagram 5

3. Reverse the steps to reinstall new valve.

## Gas Appliance Maintenance

In order for your Regency appliance to continue to provide comfort to your home periodic maintenance must be performed to ensure it is operating at peak efficiency. The items in the list should be checked by a licensed gas service technician during the annual service check. Your unit may require more frequent maintenance checks if you notice any changes in how it operates. Operational changes to look for can include, but are not limited to, extended start up time, increased fan noise, residue/carbon build up, white build up on the glass/firebox, increased operating noise etc. Should any of these or other conditions arise, discontinue use and schedule a service check with your local licensed gas technician. The list below shows items your licensed service technician will need to check and service at least annually.

### Clean

- Glass
- Interior bricks / panels
- Burner ports & burner air shutter
- Fan blades
- Log set
- Pilot orifices
- Pilot hood (change as needed)
- Flame sensor (electronic ignition models)
- Flame electrode
- Burner orifice
- Thermocouple (millivolt models)
- Thermopile (millivolt models)

### Inspect

- Pilot assembly
- Burner
- Pressure relief gaskets/doors
- Flue connector gasket if present
- Door seal
- Firebox
- Venting
- Batteries (remote handheld, remote receiver, DC sparker, change as needed)
- Burner media (change as needed)
- Air shutter setting
- Wiring

### Check

- Voltage on thermocouple/thermopile (millivolt models)
- Ohms reading on flame sense (electronic ignition models)
- Inlet/outlet fuel pressures as per rating plate
- Voltage/ohms readings on gas valve
- Ohms reading to on/off switch circuit (Millivolt models)

### Gas Leak Tests

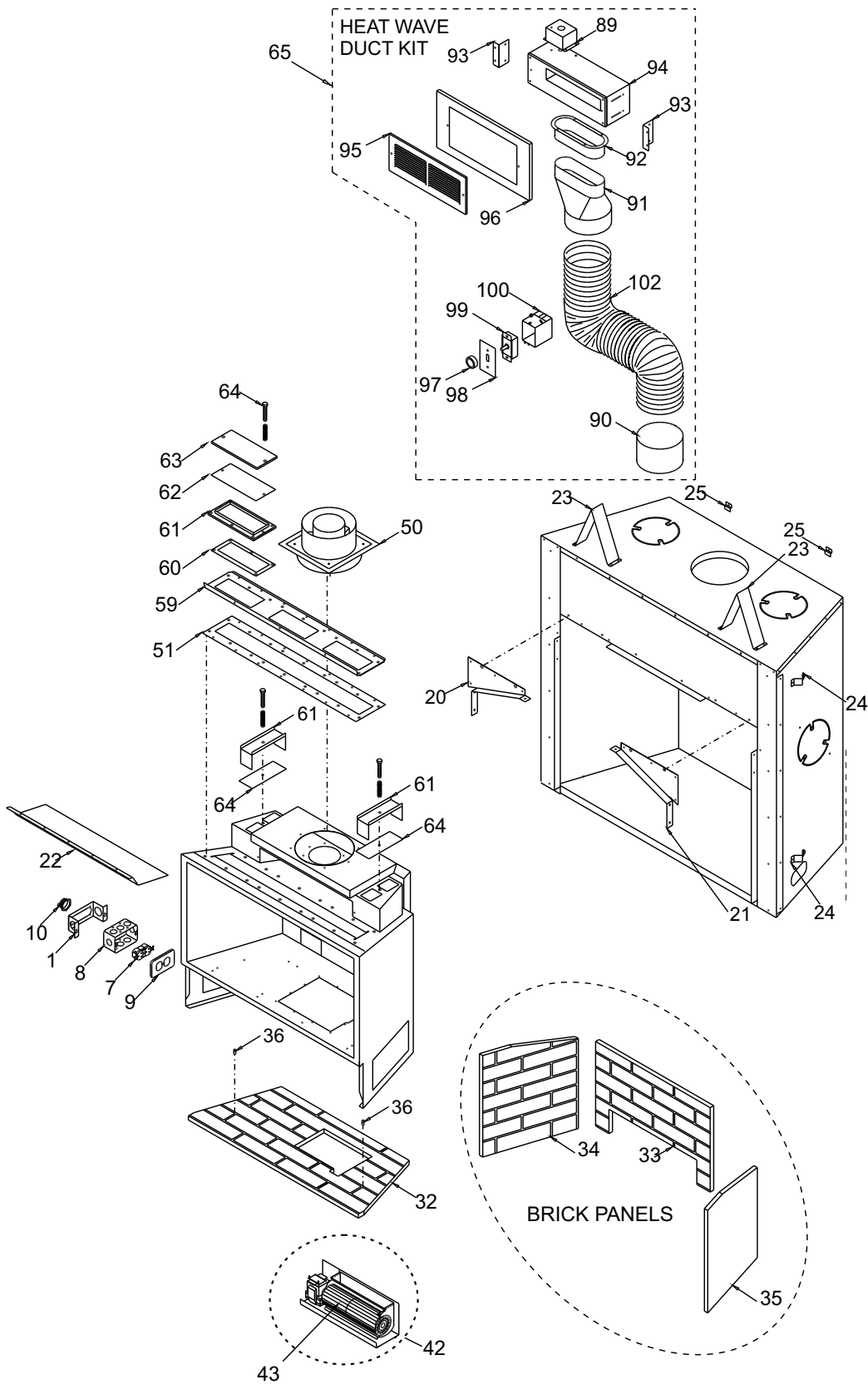
- Check main gas line connection to valve
- Check shut off valve connections
- Check connection at gas valve outlet
- Check connection at main burner orifice
- Check pilot fuel line at valve and at pilot assembly

# parts list

## Main Assembly

Part #	Description	Part #	Description	Part #	Description			
1.	430-129	Receptacle Box Mount	36.	904-716	#10 x 5/8" Butt Spacer			
7.	910-428	Duplex Receptacle	511-031	Brick Panel Clip	99.	910-412	Fan Speed Controller	
8.	910-429	Box - Receptacle	42.	430-517/P	Fan Assembly	100.	910-367	Box-Plastic Switch Receptacle
9.	910-430	Cover - Receptacle	43.	910-331/P	Fan Motor only	102.	946-010	Flexible Air Duct
10.	904-687	Clamp Connector	50.	510-994	Rigid Pipe Adaptor (Optional)	946-038	Insulation 6" dia. x 24"	
20.	790-021	Front Filler - Left Corner	51.	790-011	Relief Frame Gasket	919-971	Manual	
21.	790-022	Front Filler - Right Corner	59.	790-009	Relief Door Mounting Plate	792-977	Conversion Kit - NG to LP	
22.	790-012	Baffle	60.	W260260	Top Relief Frame Gasket	*Not available as a replacement part.		
23.	780-011	Standoff - Top	61.	942-117	Top Relief Plate Frame			
24.	780-013	Standoff - Side	62.	W260280	Top Relief Plate Gasket			
25.	780-091	Standoff - Rear	63.	290-021	Air Baffle Plate			
32.	902-600	Brick Panel - Base	64.	904-732	Pressure Relief Bolt (Each)			
	790-901	Brick Panel Set - Standard Brown	65.	946-556	Heat Wave Duct Kit (Optional)			
	790-902	Brick Panel Set - Standard Red	89.	946-004	Junction Box			
	790-903	Brick Panel Set - Herringbone Brown	90.	946-000	Round Duct Adaptor			
33.	*	Brick Panel - Back	91.	946-002	Round to Oval Adaptor			
34.	*	Brick Panel - Left	92.	946-001	Oval Duct Adaptor			
35.	*	Brick Panel - Right	93.	946-007	Angle Bracket			
			94.	946-517/P	Fan Assy - HeatWave Option			
			95.	946-006	Grill Plate - White			
			96.	946-005	Wall Adaptor Plate - White			
			97.	910-417	Knob - White			
			98.	910-366	Switch Cover Plate - White			



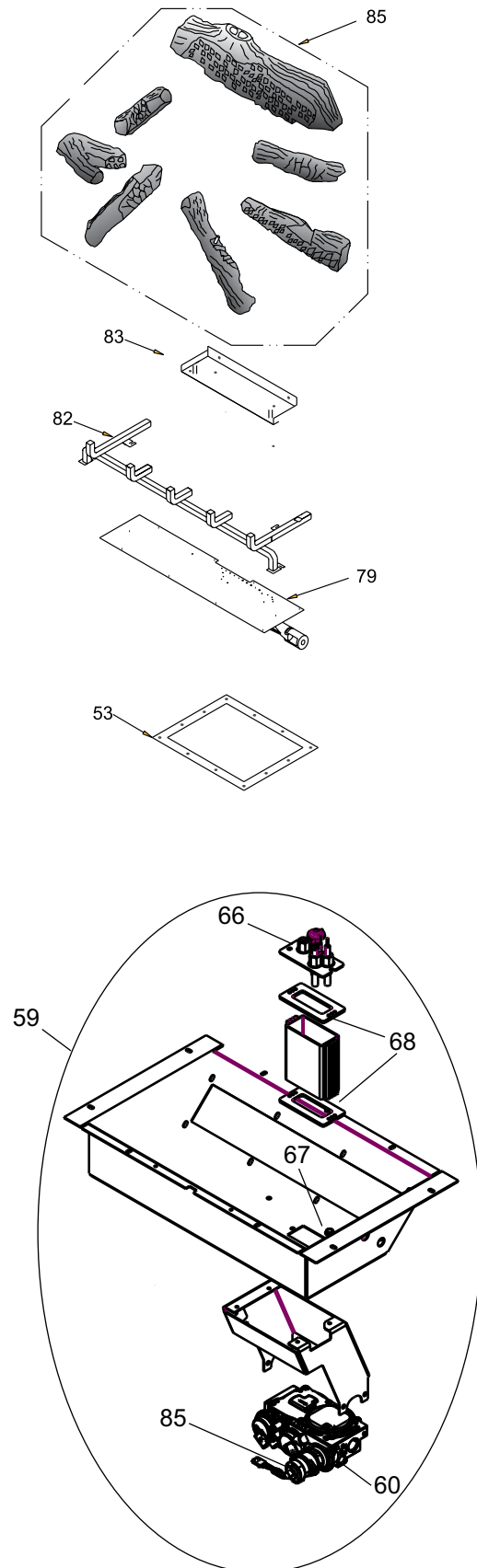


# parts list

## Burner Assembly & Log Set

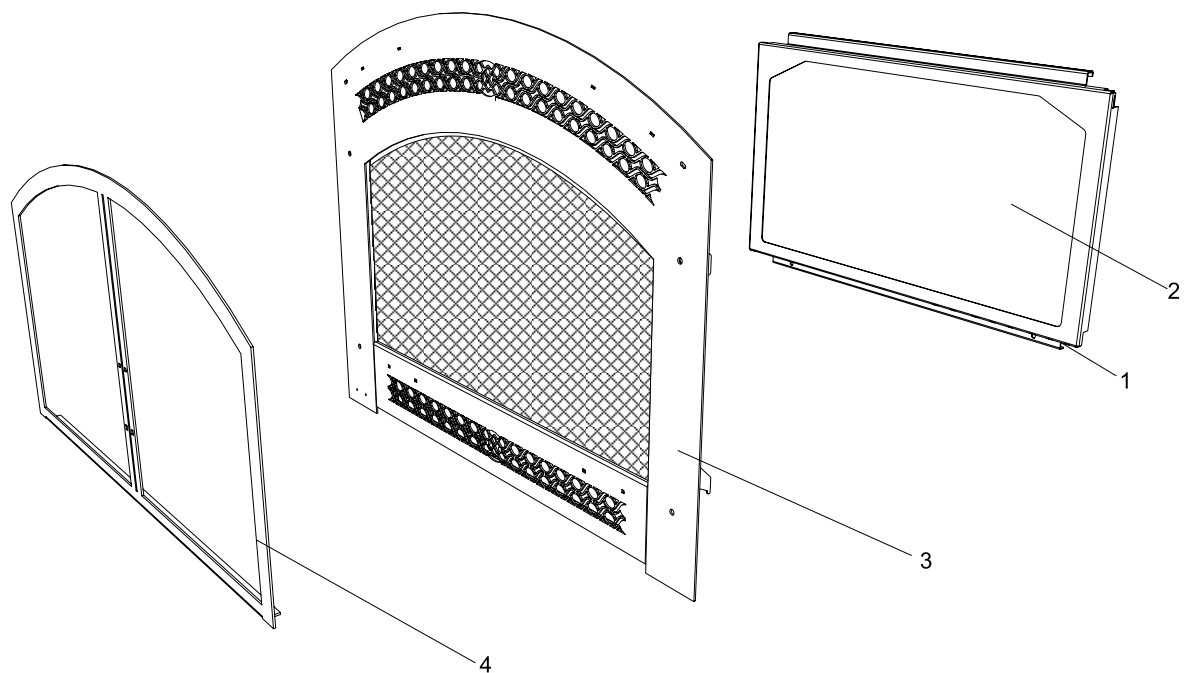
Part #	Description
53. 780-021	Gasket - Valve Access Plate
59. 792-774/P	Valve Assy - Natural Gas
59. 792-776/P	Valve Assy - Propane
57. 911-084	Valve - S.I.T. - NG 885 SIT IPI 0.885.001
911-085	Valve - S.I.T. - LP 885 SIT IPI 0.885.002
66. 911-276	Pilot Assy IPI NG 2 Flame
911-277	Pilot Assy IPI LP 2 flame
904-617	Orifice #34 - Natural Gas
904-645	Orifice #51 - Propane
936-170	Orifice Gasket
911-010	Stepper Motor NG for 885/886 SIT 0.907.013
911-011	Stepper Motor LP for 885/886 SIT 0.907.012
911-175	Remote handheld (GTMF)
911-127	Battery Compartment Door
910-036	Pilot Orifice STI NG #51 977.165
910-037	Pilot Orifice STI LP #30 977.167
911-039	Pilot Hood
910-432	Pilot Tube w/nuts
792-977	Conversion Kit LP
68. W840470	Pilot Assembly Gasket
79. 791-535	Burner Assy - NG/LP
82. 511-030	Burner Grate Assy
83. 780-520	Rear Log Support Bracket
85. 780-930	Log Set (Complete) (Oak)
85. 780-932	Log Set (Complete) (Birchwood)
911-037	Flame Sensor
911-038	Spark Electrode
911-337/P	Remote Battery Box
911-335	Wall Plate - White
911-343	Wall Plate - Black
911-175	GTMF Remote Control Handheld
911-192	120 Volt Power Cord
911-266/P	IFC Proflame Control Module
911-257	Fan 2 Pin Wire Harness
911-173	Valve Wiring Harness
911-181	Battery Box Wiring Harness
911-193	Connector with Jumper Wire
363-154	IFC Metal Cover - Base
363-155	IFC Metal Cover - Top
911-210	External Antenna IFC
910-428	Duplex Receptacle
910-429	Box - Receptacle
910-430	Cover - Receptacle
904-687	Clamp Connector
910-331/P	Replacement Blower Motor

\*Not available as a replacement part.



**Arch Surround and Safety Screen Assembly**

	<b>Part #</b>	<b>Description</b>
1.	792-038	Flush door frame
2.	940-326/P 846-697	Flush glass (includes glass gasket) Glass Gasket Tadpole Tape (12') (936-155)
3.	792-920	Arch surround with safety screen
4.	792-950	Black Double doors



## Indoor Gas Product Warranty

### Limited Lifetime Warranty

FPI Fireplace Products International Ltd. (for Canadian customers) and Fireplace Products US, Inc. (for US customers) (collectively referred to herein as “FPI”) extends this Limited Lifetime Warranty to the original purchaser of this Appliance provided the product remains in the original place of installation. The items covered by this Limited Lifetime Warranty and the period of such coverage are set forth in the table below.

An Appliance in this policy is defined as an Indoor Gas Fireplace, Indoor Gas Insert, Indoor Gas Freestanding Stove.

**This Appliance has only been certified and listed for use indoors.**

This Limited Lifetime Warranty starts on the day the Appliance was purchased.

**The Limited Lifetime Warranty is not transferable, amendable or negotiable under any circumstances.**

Indoor Gas Products Warranty Coverage Parts and Labor	Limited Lifetime	5 years	2 years	1 year	Subsidized Labor Coverage* (Years)
Firebox and Heat Exchanger	✓				3
Steel Burner Tube	✓				3
Glass Thermal breakage only	✓				3
All painted Surrounds/Inlays Finishes		✓			3
Brick Panels/Log sets/Ceramic Burners		✓			3
All Castings		✓			3
Valve assembly and all gas control components (Pilot assembly, flame sensors, Spark Electrode, Pilot Tubing, Orifices, Thermocouple, Thermopile)			✓		2
All Other Electrical components (Ignition Control Boards, Wiring, Switches, Blowers, Blower Control Module, Battery Pack, Remote Control Systems)			✓		2
Enamel Panels			✓		1
Venting/Venting Components			✓		1
All Stainless steel surrounds All black chrome Brushed nickel/Antique copper Faceplates/surrounds All Inner/Outer Black Glass panels				✓	1
All Firebox Media (Crystals, Fire beads, Volcanic, Ceramic, Spa Stones, River Pebbles)				✓	1
All hardware				✓	1
WIFI Dongle				✓	1
Mesh/Glass Safety Barriers				✓	1
Accent Light Bulbs				✓	1
Glass (Crazing)				✓	1

**Note:** Warranty coverage noted above may not be applicable as components/options vary based on appliance purchased.

### Conditions:

Warranty protects against defect in manufacture or FPI factory-assembled components only, unless herein specified otherwise.

**\*This warranty does not cover dealer travel costs, mileage, fuel, tolls for diagnostic or service work. All labor rates paid to authorized dealers are subsidized, pre-determined rates. Dealers may charge you for travel and additional time beyond their subsidy.**

Any part(s) found to be defective during the warranty period as outlined above will be repaired or replaced at FPI's option through an accredited distributor, dealer or pre-approved and assigned agent; provided that the defective part is returned to the distributor, dealer or agent for inspection if requested by FPI. Alternatively, FPI may, at its discretion, fully discharge all of its obligations under warranty by refunding the verified purchase price of the product to the original purchaser. The purchase price must be confirmed by the original Bill of Sale. **The authorized selling dealer, or an alternative authorized FPI dealer if pre-approved by FPI, is responsible for all in-field diagnosis and service work related to all warranty claims. FPI is not responsible for results or costs of workmanship of unauthorized FPI dealers or agents in the negligence of their service work.**

At all times, FPI reserves the right to inspect reported in the field/on location complaints of products claimed to be defective before processing or authorizing any claim. Failure to allow this upon request will void the warranty.

All warranty claims must be submitted by the dealer servicing the claim, including a copy of the Bill of Sale (proof of purchase by you). All claims must be complete and provide full details as requested by FPI to receive consideration for evaluation. **Incomplete claims may be rejected.**

**Replacement Appliances to the original purchaser are limited to one per warranty term.** Appliances must be installed according to all manufacturers' instructions as per the manual. All Local and National required codes must be met.

The installer is responsible for ensuring the Appliance is operating as designed at the time of installation.

The original purchaser is responsible for the annual maintenance of the Appliance, as outlined in the owner's manual. As outlined below, the warranty may be voided due to problems caused by a lack of maintenance.

Purchased parts: Repair/replacement parts purchased by the consumer from FPI after the original coverage has expired on the Appliance will carry a **90-day** warranty from the purchase date, valid with a receipt only. Any item shown to be defective will be repaired or replaced at our discretion. No labor coverage is included with these parts.

Special Finishes - One year on brushed nickel, black chrome and antique copper faceplates/surrounds. You can expect some changes in color as the product "ages" with constant heating and cooling. FPI warrants the product for any manufacturing defects on the original product. However, the manufacturer's warranty does not cover changing colors and marks, i.e. fingerprints, etc. applied after the purchase of the product. Damage from the use of abrasive cleaners is not covered by warranty.

If freight damage has been found either externally or internally, the dealer must be informed within 3 days. All claims as a result of damage must be submitted by the dealer servicing the claim, including a copy of the Bill of Sale (proof of purchase). All claims must be complete and provide full details as requested by FPI to receive consideration for evaluation. **Incomplete claims may be rejected.**

As this is a Limited Lifetime Warranty, if the Appliance needs to be replaced, the Appliance that was purchased at the time of sale might not be replaced with exactly the same model Appliance. In that case, FPI will replace your Appliance with one that is similar at the time of replacement under the terms of this Limited Lifetime Warranty, but **ONLY** in the event that an item covered by the Limited Lifetime Warranty is found to be defective. Please refer to the table on first page of this warranty for items covered by the Limited Lifetime Warranty. Product changes might be the result of the original Appliance being discontinued, changes in regulatory requirements, product advancements, etc., which are beyond the control of FPI. **This Limited Lifetime Warranty does not cover any installation costs, or costs associated with changes of required clearances for the replacement Appliance, hearth pads, mantles, facing and/or facing materials such as framing, completed walls made of drywall, wood, non-combustible board, tile, brick, stone, marble etc., venting/chimney systems, or components of the chimney system.**

If a suitable replacement is not available, FPI will refund **50%** of the purchase price of the Appliance and any applicable FPI accessories (faceplates, brick panels, media, etc.) purchased at the time of sale. **In no event will FPI refund any portion of the purchase price of, or reimburse costs associated with, any other items, including without limitation, installation of a new Appliance, changes of required clearances for a new Appliance, hearth pads, mantles, facing and/or facing materials such as framing, completed walls made of drywall, wood, non-combustible board, tile, brick, stone, marble etc., venting/chimney systems, or components of the chimney system. A copy of the receipt or bill of sale will be necessary to validate the purchase price.**

# warranty

## **Exclusions:**

This Limited Lifetime Warranty does not extend to paint, rust or corrosion of any kind due to a lack of maintenance or improper venting, combustion air provision, corrosive chemicals (i.e. chlorine, salt, air, etc.), door or glass gasketing, batteries, color fading, carbon/sooting of the log sets due to use and does not cover lava rock, platinum/glowing embers, vermiculite.

Malfunction, damage or performance-based issues as a result of environmental conditions, location, chemical damages, downdrafts, installation error, an installation by an unqualified installer, incorrect chimney components (including but not limited to cap size or type), operator error, abuse, misuse, use of improper fuels, lack of regular maintenance and upkeep, acts of God, weather-related problems from hurricanes, tornados, earthquakes, floods, lightning strikes/bolts or acts of terrorism or war, which result in a malfunction of the Appliance are not covered under the terms of this Limited Lifetime Warranty.

FPI has no obligation to enhance or modify any Appliance once manufactured (i.e. as products evolve, field modifications or upgrades will not be performed on existing Appliances).

Any Appliance showing signs of neglect or misuse will not be covered under the terms of this warranty policy and may void this warranty, including Appliances with rusted or corroded fireboxes that have not been reported as rusted or corroded within **three (3)** months of installation/purchase.

Appliances which show evidence of being operated while damaged, or with problems known to the purchaser and causing further damages will void this warranty.

Appliances where the serial no. has been altered, deleted, removed or made illegible will void this warranty.

Minor movement, expansion and contraction of the steel is normal and is not covered under the terms of this warranty.

Freight damages for products or parts are not covered under the terms of the warranty.

Products made or provided by other manufacturers and used in conjunction with the FPI Appliance without prior authorization from FPI may void this warranty.

## **Limitations of Liability:**

The original purchaser's exclusive remedy under this warranty, and FPI's sole obligation under this Limited Lifetime Warranty, express or implied, in contract or in tort, shall be limited to replacement, repair, or refund, as outlined above. IN NO EVENT WILL FPI BE LIABLE UNDER THIS WARRANTY FOR ANY INCIDENTAL OR CONSEQUENTIAL COMMERCIAL DAMAGES OR DAMAGES TO PROPERTY. TO THE EXTENT PERMITTED BY APPLICABLE LAW, FPI MAKES NO EXPRESS WARRANTIES OTHER THAN THE WARRANTY SPECIFIED HEREIN. THE DURATION OF ANY IMPLIED WARRANTY IS LIMITED TO DURATION OF THE EXPRESSED WARRANTY SPECIFIED ABOVE. IF IMPLIED WARRANTIES CANNOT BE DISCLAIMED, THEN SUCH WARRANTIES ARE LIMITED IN DURATION TO THE DURATION OF THIS WARRANTY.

Some US states do not allow limitations on how long an implied warranty lasts, or allow exclusion or limitation of incidental or consequential damages, so the above limitations or exclusions may not apply to you.

Customers located outside the US should consult their local, provincial or national legal codes for additional terms, which may apply to this warranty.

**How to Obtain Warranty Service:**

Customers should contact the authorized selling dealer to obtain warranty service. In the event the authorized selling dealer is unable to provide warranty service, please contact FPI by mail at the address listed below. Please include a brief description of the problem and your address, email and telephone contact information. A representative will contact you to make arrangements for an inspection and/or warranty service.

Canadian Warrantor:**FPI Fireplace Products International Ltd.**

6988 Venture St.  
Delta, British Columbia  
Canada, V4G 1H4

U.S. Warrantor:**Fireplace Products US, Inc.**

PO Box 2189 PMB 125  
Blaine, WA  
United States, 98231

Or contact the Regency Customer Care Centre at 1-800-442-7432 (phone) / 604-946-4349 (fax)  
/customerservice@regency-fire.com (e-mail)

**Product Registration and Customer Support:**

Thank you for choosing a Regency Fireplace. Regency strives to be a world leader in the design, manufacture, and marketing of hearth products. To provide the best support for your product, we request that you complete a product registration form at <http://www.regency-fire.com/Customer-Care/Warranty-Registration.aspx> within **ninety (90)** days of purchase.

# Warranty Registration Card



**Product Registration and Customer Support:**

Thank you for choosing a Regency Fireplace. Regency strives to be a world leader in the design, manufacture, and marketing of hearth products. To provide the best support for your product, we request that you complete a product registration form found on our Web Site under Customer Care within ninety (90) days of purchase.

For purchases made in **CANADA or the UNITED STATES:**

<http://www.regency-fire.com/Customer-Care/Warranty-Registration.aspx>

For purchases made in AUSTRALIA:

<http://www.regency-fire.com.au/Customer-Care/Warranty-Registration.aspx>

You may also complete the warranty registration form below to register your Regency Fireplace Product and mail and/or fax it back to us, and we will register the warranty for you. It is important you provide us with all the information below in order for us to serve you better.

**Warranty Registration Form (or Register online immediately at the above Web Site):**

<b>Warranty Details</b>	
Serial Number (required):	
Purchase Date (required) (mm/dd/yyyy):	
<b>Product Details</b>	
Product Model (required):	
<b>Dealer Details</b>	
Dealer Name (required):	
Dealer Address:	
Dealer Phone #:	
Installer:	
Date Installed (mm/dd/yyyy):	
<b>Your Contact Details (required)</b>	
Name:	
Address:	
Phone:	
Email:	

For purchases made in CANADA:

**FPI Fireplace Products International Ltd.**  
6988 Venture St.  
Delta, British Columbia  
Canada, V4G 1H4

Phone: 604-946-5155  
Fax: 1-866-393-2806

For purchases made in the UNITED STATES:

**Fireplace Products US, Inc.**  
PO Box 2189 PMB 125  
Blaine, WA  
United States, 98231

Phone: 604-946-5155  
Fax: 1-866-393-2806

For purchases made in AUSTRALIA:

**Fireplace Products Australia Pty Ltd**  
99 Colemans Road  
Dandenong South, Vic.  
Australia, 3175

Phone: +61 3 9799 7277  
Fax: +61 3 9799 7822

For fireplace care and tips and answers to most common questions please visit our Customer Care section on our Web Site. Please feel free to contact your selling dealer if you have any questions about your Regency product.





# recycling

**PRODUCT LIFE CYCLE:**

By recycling your used appliances, you divert waste from your local landfills and help the environment. You also reduce the need for raw materials to manufacture new products. Contact your local municipality for appliance recycling services, local recycling programs, or appliance removal services to ensure your Regency appliance components, and packaging are properly recycled.



***Installer: Please complete the following information***

**Dealer Name & Address:** \_\_\_\_\_

\_\_\_\_\_

**Installer:** \_\_\_\_\_

**Phone #:** \_\_\_\_\_

**Date Installed:** \_\_\_\_\_

**Serial #:** \_\_\_\_\_