



HEAT & GLO

No one builds a better fire



6000/8000
C Series
Direct Vent Gas Fireplaces



The best
& brightest

Cover: 8000CLX shown with Chateau Deluxe front in New Bronze and St. Cloud shelf mantel.

A. The CLX fireplace interior features large, beautiful flames, premium logset, and LED illuminated ember bed and accent lighting.

B. 8000CL shown with Clean Face kit and Biltmore mantel in beige.

The 6000/8000 C Series promotes sustainable home living.

Direct Vent Technology maintains indoor air quality by preventing carbon monoxide, nitrogen dioxide and excess moisture from entering the home.

IntelliFire Plus™ Ignition System features intermittent-pilot-ignition (IPI) allowing you to conserve fuel and money when the fireplace is not in use.

LED Accent Lighting is highly efficient and has a 10-year life cycle, costing pennies a day for year-round use.

Zone Heating allows you to heat the rooms you are in most, saving money and fuel, while providing warmth where you want it.





6000/8000CLX

Our flagship CLX models come with distinctive features including: Largest flame, premium logs, LED illuminated ember bed and LED accent lighting, brick refractory, our most advanced wireless control, AFUE heater rating, and a fan kit with speed control.



A. 6000CLX shown with Chateau Forge front, Portico mantel and absolute black granite.

B. 8000CLX shown with Chateau Deluxe front in New Bronze and St. Cloud shelf mantel.



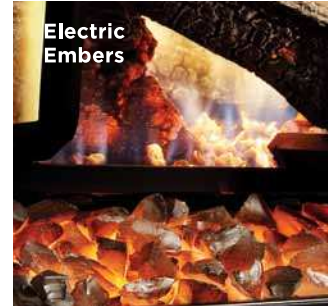
Flame



Refractory & Accent Lighting



Premium Logs



Electric Embers

6000/8000CL

The CL models include many advanced features standard, such as: Stunning flame, LED accent lighting, brick refractory, our most advanced wireless control, and AFUE heater rating.



C. 6000CL shown with Galleria front in New Bronze, Sonoma mantel and blue pearl granite.

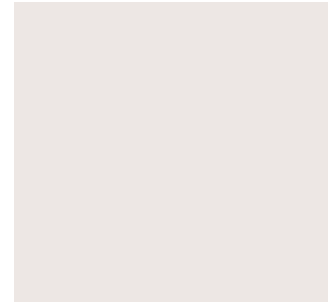
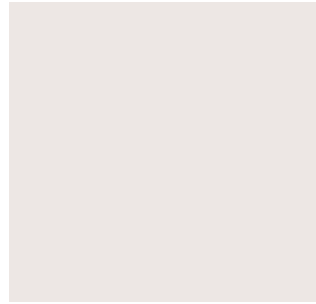
D. 8000CL shown with Halston front in black and Biltmore cast mantel in machiatto.



Flame



Refractory & Accent Lighting



6000/8000C

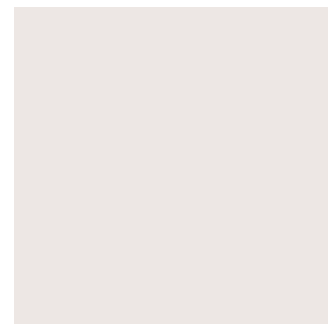
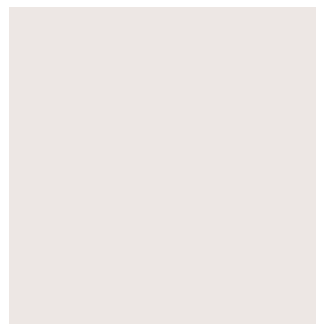
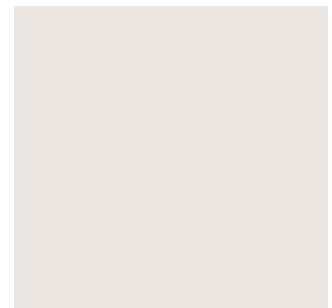
The C models offer an unsurpassed value with advanced technology and the perfect combination of flame and glow.

E. 6000C shown with Arcadia front in black, Parsons mantel in custom stained alder and baltic brown granite.

F. 8000C shown with Folio front in black, Fairfield mantel in custom painted finish and absolute black granite.



Flame



Options, options & more options

Fronts

Our fronts and operable doors completely overlap surround materials, for the best finished look. Plus, adjustable brackets allow for variations in thickness of surround materials up to 1". So when it comes to beautifully finished design, nobody does it better.

Arcadia Front



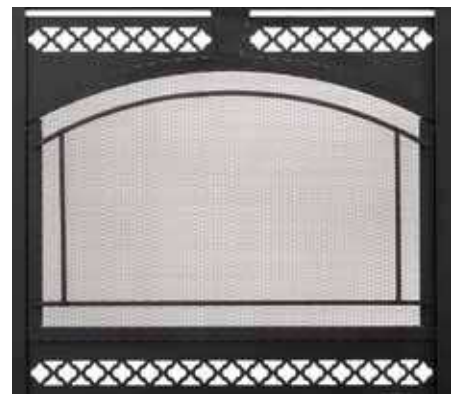
ARCADIA-6, ARCADIA-8

Folio Front (Inside Fit)



FOLIO-36, FOLIO-42

Chateau Deluxe Front



CHAD-6, CHAD-8

Galleria Operable Doors



GALLERIA-6, GALLERIA-8

Halston Operable Doors



HALSTON-6, HALSTON-8

Chateau Forge Front*



*Available in Hammered Steel only
CHAF-6, CHAF-8

Clean Face Kit



CF-6000, CF-8000

Finishes

Four rich finishes. High on style, long on durability.



Aged Brass



Black



New Bronze



Graphite

Refractory

Our refractory offers an authentic appearance with remarkable brick detail. Your choice of the Stratford or Tahoe Tan finish comes standard on all CLX and CL models.



Stratford



Tahoe Tan

IntelliFire Plus Ignition System & Wireless Controls



The IntelliFire Plus Ignition System is an “intelligent” control system providing energy conservation and the comfort of a roaring fire ...all at your fingertips! IntelliFire Plus features intermittent-pilot ignition (IPI) allowing you to conserve fuel and money when the fireplace is not in use. Optional constant pilot mode – allows you to leave the pilot flame on in cold climates. In addition, the system offers seamless transition from AC to battery backup in a power outage, as well as built-in safety features and memory settings. Lastly, our new family of IntelliFire Plus wireless controls provides stylish and ergonomic controls with the features and benefits homeowners desire.

IntelliFire Plus RC300 incorporates an LCD screen, intuitive menus and large control buttons in a sleek and modern design. This wireless control gives you the flexibility to use as a remote only or mount on the wall anywhere in the room. Comes standard with the 6000CL, 6000CLX, 8000CL and 8000CLX models.

Model: RC300-HNG

Features: Auto Battery Backup, Pilot Activation, On/Off, 5 Step Flame Height, Fan Speed (Auxiliary 1), Two Additional Auxiliary Functions, Room Temperature Readout, Thermostat Mode, Timer Mode, Child Lock, Wall Docking Station



IntelliFire Plus RC200 combines an easy-to-use and intuitive control panel with a stylish and ergonomic design. Since it utilizes wireless control, it has the flexibility for wall placement anywhere in the room, or use as a remote only.

Model: RC200-HNG

Features: Auto Battery Backup, Pilot Activation, On/Off, 5 Step Flame Height, Fan Speed, Child Lock, Wall Docking Station



IntelliFire Plus RC100

features a simple, single mode function and is specifically designed for wall placement ensuring a great fire is just a tap of the switch away.

Model: RC100-HNG

Features: On/Off



U.S. Efficiencies

Steady State - Since most homeowners use their fireplaces for an extended time while they are in the room, Steady State measures how efficiently your fireplace converts fuel to heat once it is warmed up and running in a “steady state”.

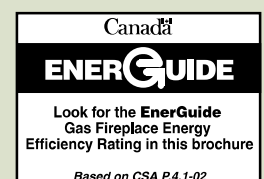
AFUE - AFUE rating is more typically used with appliances, like your furnace, that continually cycle on and off to maintain a constant temperature.

Rating	6000CLX	6000CL	6000C	8000CLX	8000CL	8000C
Steady State	83%	82%	81%	84%	83%	83%
AFUE	65%	64%	60%	66%	65%	63%

Canada Efficiencies

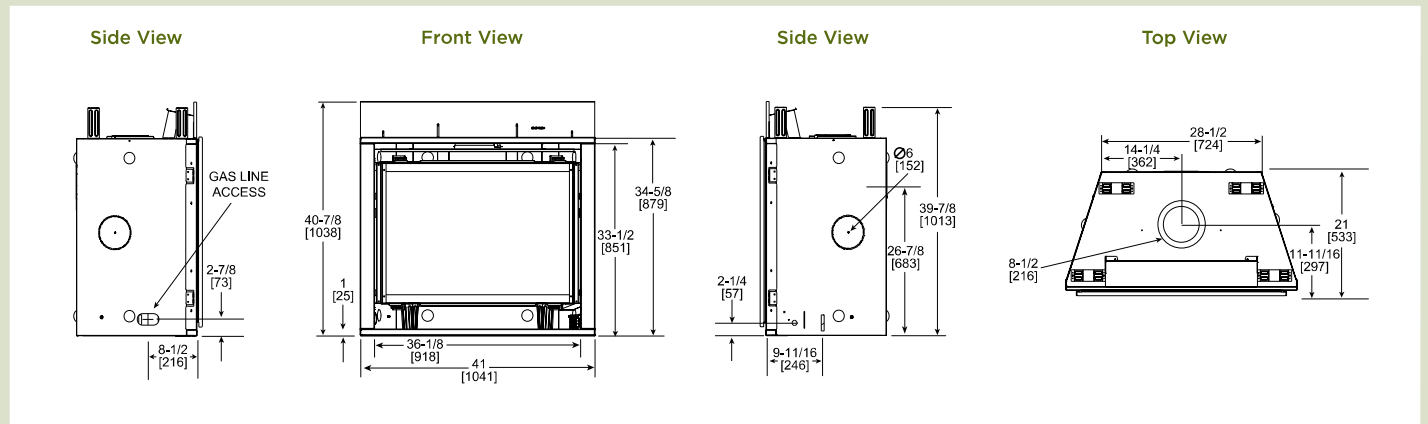
EnerGuide (CSA P.4.1-02) - EnerGuide is a rating used in Canada to measure annual fireplace efficiency.

Rating	6000CLX	6000CL	6000C	8000CLX	8000CL	8000C
EnerGuide (CSA P.4.1-02)	67%	68%	64%	68%	65%	67%

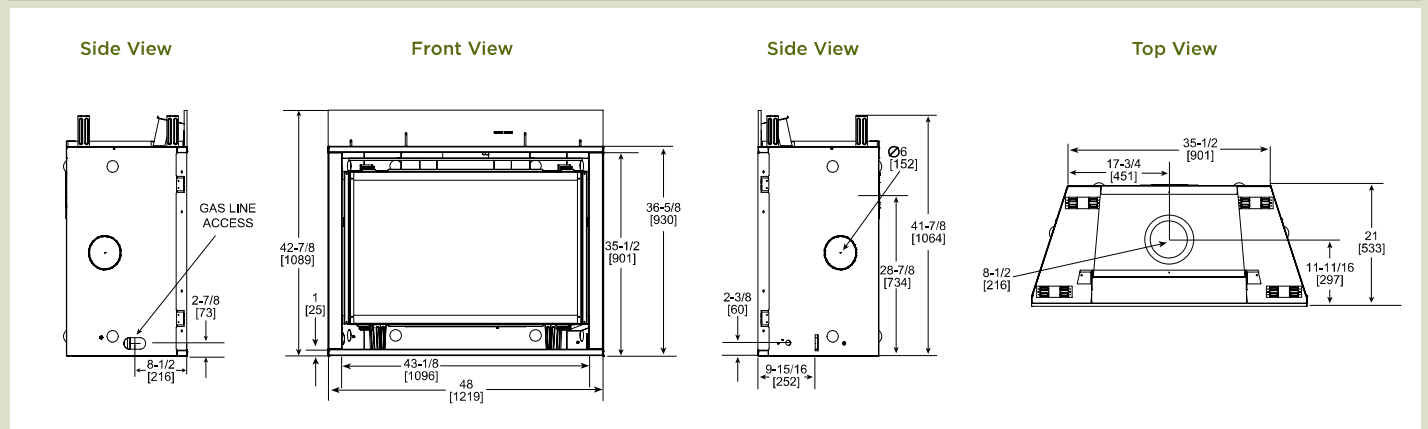


6000/8000 C Series Specifications

MODEL	HEIGHT		FRONT WIDTH		BACK WIDTH		DEPTH		GLASS SIZE	Btu/Hour Input
	Actual	Framing	Actual	Framing	Actual	Framing	Actual	Framing		
6000CLX 6000CL 6000C	39-7/8	40-1/8	41	42	28-1/2	42	21	22	36 x 24-3/4	CLX - 40,000 CL - 35,000 C - 30,000



MODEL	HEIGHT		FRONT WIDTH		BACK WIDTH		DEPTH		GLASS SIZE	Btu/Hour Input
	Actual	Framing	Actual	Framing	Actual	Framing	Actual	Framing		
8000CLX 8000CL 8000C	41-7/8	42-1/8	48	49	35-1/2	49	21	22	42-1/2 x 26-3/4	CLX - 45,000 CL - 40,000 C - 35,000



Dimensions above are in inches. Reference dimensions only. We recommend measuring individual units at installation. Assumes the use of 1/2" drywall. NOTE: Combustible material should not be installed over the face. Make sure you do NOT cover the decorative door opening.

Refer to installation manual for detailed specifications on installing this product. Heat & Glo reserves the right to update units periodically. The flame and ember appearance may vary based on the type of fuel burned and the venting configuration used. Pictures in this brochure are not a true representation of the fireplace and/or flames.



For complete information and valuable assistance on this series, please contact us at:

Heat & Glo

A brand of Hearth & Home Technologies Inc.®

7571 215th Street West

Lakeville, MN 55044

(888) 427-3973 (952) 985-6000

Web: heatnglo.com

*For full warranty details go to www.heatnglo.com

HNG-1102U-0910

Limited Lifetime Warranty*

The strongest in the industry, Heat & Glo provides a limited lifetime warranty on most important aspects: firebox and heat exchanger.