

This wood appliance needs periodic inspection and repair. It is against United States federal regulations to operate this wood appliance in a manner inconsistent with the operating instructions in this manual.



OWNER'S MANUAL



High Country™ NZ5000



for indoor use only

SAFETY INFORMATION

! WARNING

If the information in these instructions is not followed exactly, a fire or explosion may result causing property damage, personal injury or death. Please read the entire manual before you install and use your appliance. This appliance has been tested for use with gas log sets. Follow the instructions in the installation manual for proper use.

- This appliance can be very hot when burning.
- Combustible materials such as firewood, wet clothing, etc. placed too close can catch fire.
- Children and pets must be kept from touching the appliance when it is hot.
- The chimney must be sound and free of cracks. Before installing this appliance, contact the local building or fire authority and follow their guidelines.
- Burn wood behind the log retainer directly on the firebricks.
- Do not use an elevated grate or otherwise raise the fire.
- This appliance is designed to burn natural wood only. Higher efficiencies and lower emissions generally result when burning air dried seasoned hardwoods, as compared to softwoods or to green or freshly cut hardwoods.
- Do not start a fire with chemicals or fluids such as gasoline, engine oil, etc.
- Do not burn trash or garbage, lawn clippings/waste, rubber, waste petroleum products, paints or paint thinners/solvents, plastic, materials containing asbestos, construction debris, railroad ties or treated wood, manure or animal remains, salt water driftwood or salted materials, unseasoned wood, coal, charcoal, coloured paper, cardboard, plywood or particleboard. Burning these materials may result in release of toxic fumes or render the appliance ineffective and cause smoke.
- Do not let the appliance become hot enough for any part to glow red.

THIS APPLIANCE HAS BEEN SAFETY TESTED AND LISTED BY OMNI TEST LABORATORIES INC. AS PER THE STANDARDS : ULC S610, UL 127 U.S. THE NZ5000 IS AN EPA LOW MASS WOOD-BURNING FIREPLACE VOLUNTARY PROGRAM PHASE 2 EMISSION LEVEL QUALIFIED MODEL.



Project Number:
0415WF013S
0415WF013E

Wolf Steel Ltd., 24 Napoleon Rd., Barrie, ON, L4M 0G8 Canada / 103 Miller Drive, Crittenden, Kentucky, USA, 41030
Phone (705)721-1212 • Fax (705)720-9081 • www.napoleonfireplaces.com • hearth@napoleonproducts.com

WARNING

- This appliance is hot when operated and can cause severe burns if contacted.
- Any changes or alterations to this appliance or its controls can be dangerous and is prohibited.
- Do not operate appliance before reading and understanding operating instructions. Failure to operate appliance according to operating instructions could cause fire or injury.
- Before installing this appliance, contact the local building or fire authority and follow their guidelines.
- This appliance must be installed by a qualified installer. Never try to repair or replace any part of the appliance unless instructions are given in this manual. All other work should be done by a trained technician.
- Risk of burns. The appliance should be turned off and cooled before servicing.
- Do not operate without fully assembling all components. Do not install damaged, incomplete or substitute components.
- Do not let the appliance become hot enough for any part to glow red.
- Risk of cuts and abrasions. Wear protective gloves and safety glasses during installation. Sheet metal edges may be sharp.
- All wiring should be done by a qualified electrician and shall be in compliance with local codes. In the absence of local codes, use the current CSA22.1 Canadian Electric Code in Canada or the current National Electric Code ANSI/NFPA No. 70 in the United States.
- If equipped, burning your appliance with the ash dump door ajar creates a fire hazard that may result in discoloration to the door, internal damage to the appliance or a house chimney fire.
- Do not connect this appliance to a chimney flue serving another appliance.
- Clothing or other flammable material should not be placed on or near the appliance. Objects placed in front of the appliance must be kept a minimum of 48" (121.9cm) away from the front face of the appliance.
- Due to high temperatures, the appliance should be located out of traffic and away from furniture and draperies.
- Even after the appliance is off, it will remain hot for an extended period of time.
- Any safety screen or guard removed for servicing must be replaced prior to operating the appliance.
- Under no circumstances should this appliance be modified.
- This appliance must not be connected to a chimney flue pipe servicing a separate solid fuel burning appliance.
- Do not operate the appliance with the glass door removed, cracked or broken. Replacement of the glass should be done by a licensed or qualified service person.
- Do not strike or slam shut the appliance glass door.
- Only doors / optional fronts certified with the appliance are to be installed on the appliance.
- If the appliance is not properly installed, a house fire may result. Do not expose the appliance to the elements (ex. rain, etc.) and keep the appliance dry at all times. Wet insulation will produce an odour when the appliance is used.
- The chimney must be sound and free of cracks. Clean your chimney a minimum of twice a year and as required.
- Children and adults should be alerted to the hazards of high surface temperature and should stay away to avoid burns or clothing ignition.
- Young children should be carefully supervised when they are in the same room as the appliance. Toddlers, young children and others may be susceptible to accidental contact burns. A physical barrier is recommended if there are at risk individuals in the house. To restrict access to an appliance or stove, install an adjustable safety gate to keep toddlers, young children and other at risk individuals out of the room and away from hot surfaces.
- Ensure you have incorporated adequate safety measures to protect infants/toddlers from touching hot surfaces.
- Check with your local hearth specialty dealer for safety screens and hearth guards to protect children from hot surfaces. These screens and guards must be fastened to the floor.
- Keep the packaging material out of reach of children and dispose of the material in a safe manner. As with all plastic bags, these are not toys and should be kept away from children and infants.



! WARNING

- Do not start a fire with chemicals or fluids such as gasoline, engine oil, etc.
- Your appliance requires periodic maintenance and cleaning. Failure to maintain your appliance may lead to smoke spillage in your home.
- Ashes must be disposed in a metal container with a tight lid and placed on a non-combustible surface well away from the home or structure until completely cool.
- Ensure clearances to combustibles are maintained when building a mantel or shelves above the appliance. Elevated temperatures on the wall or in the air above the appliance can cause melting, discolouration or damage to decorations, a T.V. or other electronic components.

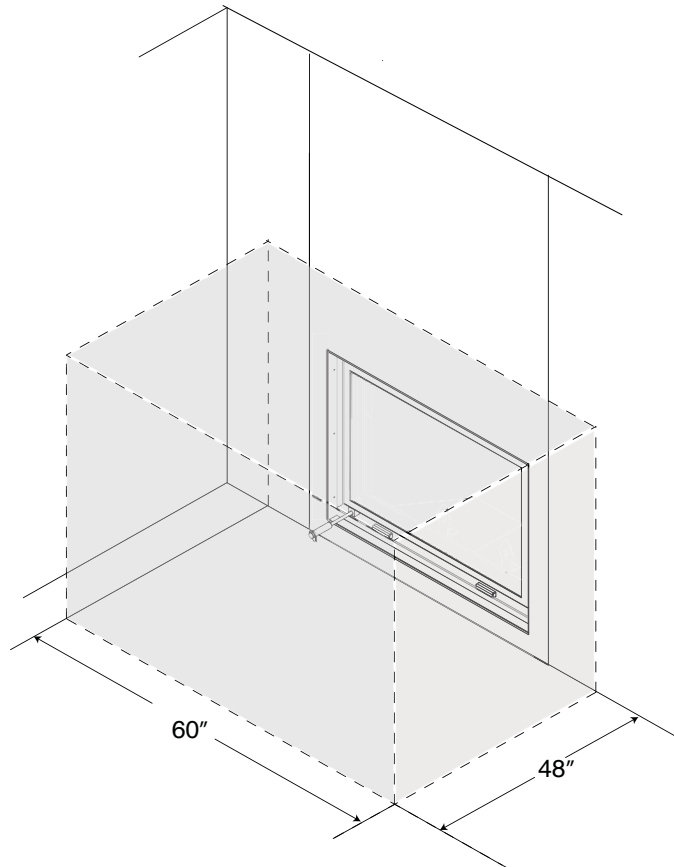
For wood appliances:

- Lower emissions generally result when burning air dried seasoned hardwoods, as compared to softwoods or too green or freshly cut hardwoods. Burning wet unseasoned wood can cause excessive creosote accumulation. When this is ignited it can cause a chimney fire that may result in a serious house fire.
- This appliance is designed to burn natural wood only. Do not burn trash or garbage, lawn clippings / waste, rubber, waste petroleum products, paints or paint thinners / solvents, plastic, materials containing asbestos, construction debris, railroad ties or treated wood, manure or animal remains, salt water driftwood or salted materials, unseasoned wood, coal, charcoal, coloured paper, gift wrapping, cardboard, plywood or particleboard. Burning these materials may result in release of toxic fumes or render the appliance ineffective and cause smoke.
- Burn wood directly on the firebricks. Do not elevate grate or otherwise raise the fire.
- Do not store wood within appliance installation clearances or within the space required for re-fueling and ash removal.
- If equipped, the catalyst must be installed and in good working order. It is recommended that the catalyst is inspected at least three times per heating season.

! WARNING: This product can expose you to chemicals including lead and lead compounds, which are known to the State of California to cause cancer, and chemicals including carbon monoxide, which are known to the State of California to cause birth defects or other reproductive harm. For more information, go to www.P65Warnings.ca.gov.

! WARNING

- The area above a fireplace gets hot, combustible objects or materials must never be placed in this area. For minimum distance please refer to installation manual.



congratulations

Napoleon is proudly committed to your total home comfort. We are proud to say that our products continuously surpass industry standards and our inspiration is you! More than anything, we want you to feel confident in choosing Napoleon for your home. Our products are designed to provide that confidence and ensure that every Napoleon product is beyond compare.

Napoleon products are designed with superior components and materials assembled by trained craftsmen who take great pride in their work.

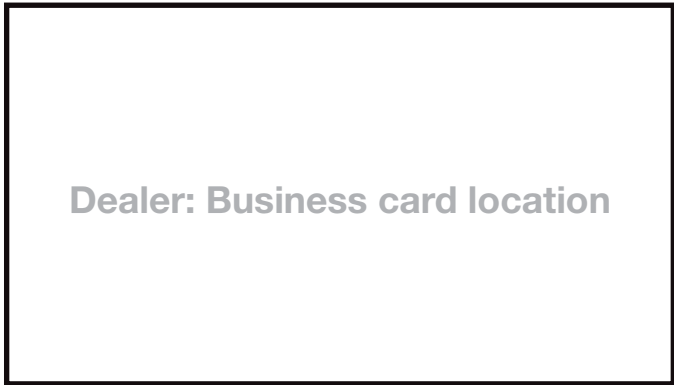
Your Napoleon fireplace has been thoroughly inspected by a qualified technician before packaging to ensure that you, the customer, receives the quality product that you expect from Napoleon.

Dealer : Fill in your dealer information (or business card) and the appliance installation information below.

Dealer Information

Name of Dealer: _____
Dealer Location: _____
Dealer Phone: _____
Dealer E-mail: _____

Customer: _____
Customer Address: _____
Date of Installation: _____
Location of the appliance: _____
Installer: _____



Serial Number: _____

congratulations	5
1.0 getting to know your appliance	7
1.1 rating plate information	8
2.0 selecting wood	9
3.0 operation	10
3.1 operating sounds and smells	10
3.2 fire extinguishers / smoke detectors & carbon monoxide detectors	10
3.3 outside combustion air operation	11
3.4 door & screen operation	12
3.5 damper operation	13
3.6 starting a fire	14
3.7 smoking	15
3.8 reloading the appliance	15
3.9 gas log set	15
4.0 maintenance	16
4.1 ash removal procedures	16
4.2 creosote formation and removal	16
4.3 run-away or chimney fire	16
4.4 chimney cleaning	17
4.5 care of glass	17
5.0 troubleshooting	18
6.0 warranty	19
7.0 service history	20



The camera icon indicates video tutorials are available as additional reference, visit <http://mynapoleon.napoleonproducts.com/download/index/44/1>

note:

Changes, other than editorial, are denoted by a vertical line in the margin

1.0 getting to know your appliance

This owner's manual is written to help you, the customer understand the operation and maintenance of your Napoleon fireplace. Before reading this manual, be sure you know which model of fireplace that you have. This information will have been filled out by the installer on the proceeding page and on the rating plate that is permanently attached to the fireplace.

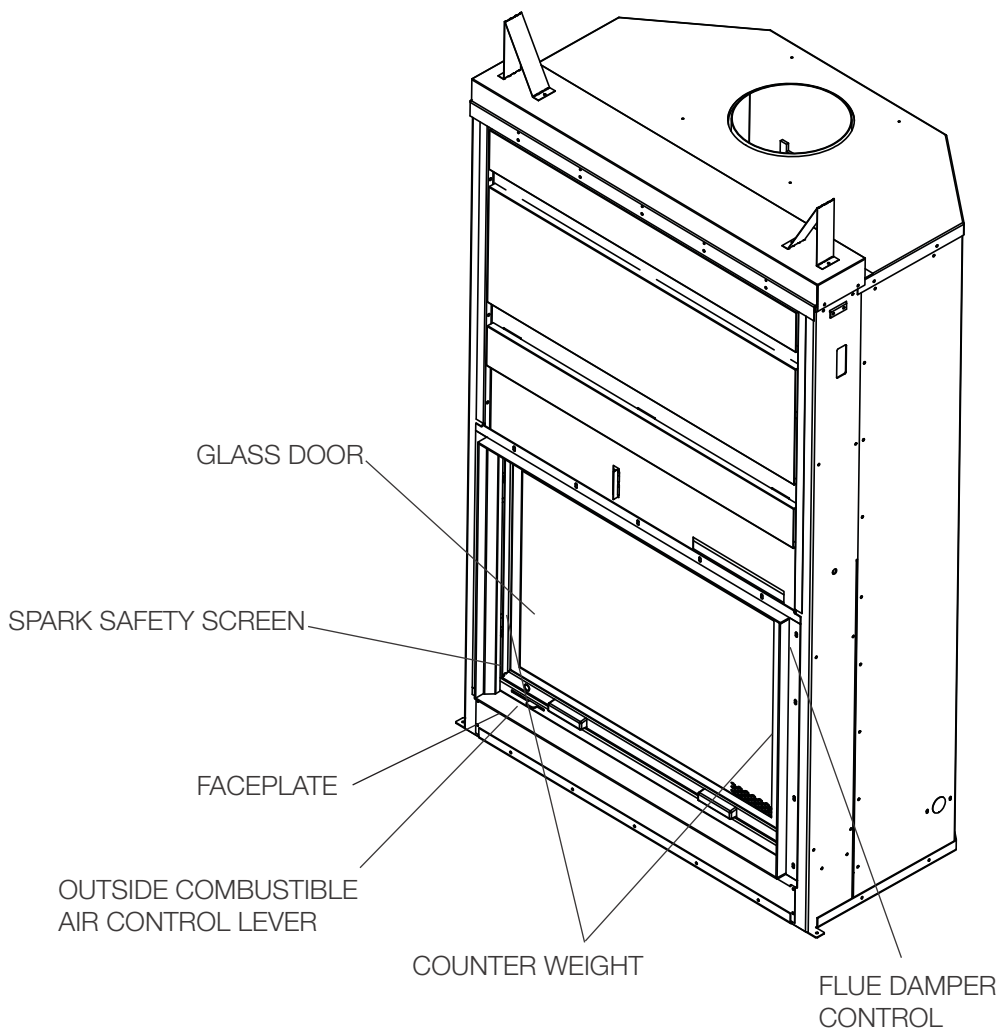
This manual is for the:

- **NZ5000-T**

If required, more detailed technical information is included in the fireplace installation manual.

The information throughout this manual is believed to be correct at the time of printing. Wolf Steel Ltd. reserves the right to change or modify any information within this manual at any time without notice. Changes, other than editorial are denoted by a vertical line in the margin.

Visit the Napoleon website for the most current version of your appliance's manual.

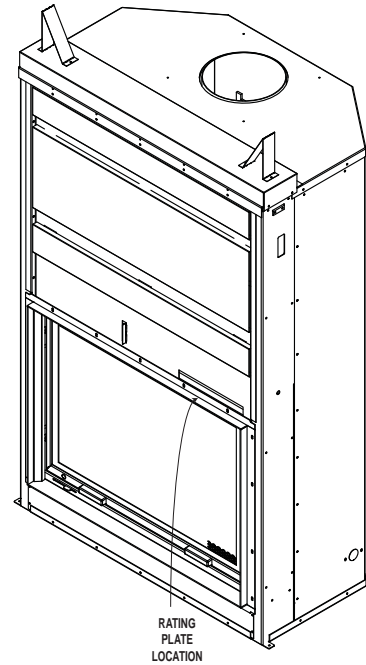


getting to know your appliance

1.1 rating plate information

Rating plate is located above the screen door on the right.

This illustration is for reference only. Refer to the rating plate on the appliance for accurate information.



RATING PLATE LOCATION

note:

The rating plate must remain with the appliance at all times. It must not be removed.

<p>CERTIFIED TO / CERTIFIÉ SELON: ULC-S610-M87 (R2016), UL 127-2011 (R2016)</p>													
<p>Tested & Listed By OTL US Oregon USA OMH Test Laboratories, Inc.</p>	<p>9700539 (WSL) 4001657 (NGZ) 4001658 (NAC) 4001659 (WUSA)</p>												
<p>NZ5000 NZ5000 AVERAGE EMISSION / EMISSION MOYENNE 4.6 g/kg</p>													
<p>PROJECT NO. 0415WFO135 / 0415WO013E / PROJET N°. 0415WFO135 / 0415WO013E MODEL NO. NZ5000 / N° DE MODÈLE NZ5000</p>													
<p>HIGH COUNTRY LISTED FACTORY BUILT FIREPLACE MODEL. PHASE 2 EMISSION LEVEL QUALIFIED. / FOYER PRÉFABRIQUÉ HOMOLOGUÉ. LA PHASE 2 NIVEAU QUALIFIÉ D'ÉMISSION</p>													
<p>MODEL CERTIFICATION DATE / DATE DE CERTIFICATION DU MODÈLE: 04/23/17</p>													
<p>INSTALL AND USE ONLY IN ACCORDANCE WITH WOLF STEEL LTD. INSTALLATION INSTRUCTIONS AND OWNER'S MANUAL. CONTACT LOCAL BUILDING OR FIRE OFFICIALS ABOUT RESTRICTIONS AND INSTALLATION INSPECTION IN YOUR AREA. DO NOT CONNECT THIS UNIT TO A CHIMNEY SERVING ANOTHER APPLIANCE.</p>													
<p>POUR INSTALLATION ET UTILISATION CONFORMÉMENT AUX MANUEL WOLF STEEL LTÉE. RENSEIGNEZ-VOUS AUPRÈS DES AUTORITÉS LOCALES DU BÂTIMENT OU DU SERVICE DES INCENDIES AU SUJET DES RESTRICTIONS ET DES INSPECTIONS D'INSTALLATION DANS VOTRE RÉGION. NE PAS RACCORDER À LA CHEMINÉE D'UN AUTRE APPAREIL.</p>													
<p>Use Solid wood, processed solid fuel fire logs (or other specified type) fuel only. / Utilisez du bois massif, transformés solides bûches de combustible (ou un autre type spécifié) combustible seulement.</p>													
<p>QUALIFIED EPA PHASE 2 MODEL UNTIL JULY 2020 / QUALIFIÉ EPA PHASE 2 MODÈLE JUSQU'À JUILLET 2020.</p> <p><input type="checkbox"/> 2017 <input type="checkbox"/> 2018 <input type="checkbox"/> 2019 <input type="checkbox"/> 2020 <input type="checkbox"/> Jan./Jan. <input type="checkbox"/> Apr./Avr. <input type="checkbox"/> Jul./Juill. <input type="checkbox"/> Oct./Oct. <input type="checkbox"/> Feb./Fév. <input type="checkbox"/> May/Mai <input type="checkbox"/> Aug./Août. <input type="checkbox"/> Nov./Nov. <input type="checkbox"/> Mar./Mars. <input type="checkbox"/> Jun/Juin <input type="checkbox"/> Sep/Sept. <input type="checkbox"/> Dec/Déc.</p>	<p>WARNING: • Replace ceramic glass only with ceramic glass obtained from the dealer and certified for use with this appliance. • Not for use in a Mobile Home.</p>												
<p>AVERTISSEMENT: • Remplacer verre céramique seulement uniquement avec verre céramique obtenue auprès du concessionnaire et certifiés pour une utilisation avec cet appareil. • Ne peut être installé dans une maison mobile.</p>													
<p>WARNING: DO NOT OPERATE AN UNVENTED GAS LOG SET IN THIS APPLIANCE WITH THE CHIMNEY REMOVED. ONLY UNVENTED GAS LOG SETS CERTIFIED TO ANSI / IAS / AGA Z21.11.2 ARE TO BE INSTALLED IN THIS APPLIANCE. AVERTISSEMENT: N'UTILISER PAS UN ENSEMBLE DE BÛCHES SANS VENTILATION DANS CET APPAREIL AVEC LA CHEMINÉE ENLEVÉE. SEULEMENT LES ENSEMBLE DE BÛCHES CERTIFIÉ SELON ANSI / IAS / AGA Z21.11.2 PEUVENT ÊTRE INSTALLÉS DANS CET APPAREIL.</p>													
<p>Do not use a fireplace insert or other products not specified for use with this product. N'utiliser pas un insert de cheminée ou d'autres produits non spécifiés pour l'utilisation avec ce produit.</p>													
<p>COMPONENTS REQUIRED FOR INSTALLATION:</p> <p>SHIPPED WITH THE FIREPLACE: INSTALLATION MANUAL EMBER STRIP LIFTING HANDLE LOG RETAINERS (ANDIRONS)</p> <p>NOT SHIPPED WITH THE FIREPLACE: REFRACTORY BRICKS</p>													
<p>CHIMNEY REQUIREMENTS (see installation manual): Chimney must be certified to one of the following standards ULC-S604 and ULC S629 for Canada or UL-103 and UL-103HT for the United States. Masonry chimney installation: Stainless steel liner must be certified to ULC S640 M91 or ULC 639 for Canada or UL 1777 for the United States. Air Cooled Chimney: Use DuraVent DuraChimney II only.</p> <table border="0"> <tr> <td>MINIMUM CHIMNEY HEIGHT</td> <td>15 ft (4.57 m)</td> <td>MAXIMUM # OF ELBOWS</td> <td>4</td> </tr> <tr> <td>MAXIMUM CHIMNEY HEIGHT</td> <td>34 ft (10.4 m)</td> <td>FLUE COLLAR</td> <td>10"ø</td> </tr> <tr> <td>MAXIMUM OFFSET ANGLE</td> <td>30° US - 45° CANADA</td> <td>MIN. CHIMNEY DIA.</td> <td>8"ø</td> </tr> </table>		MINIMUM CHIMNEY HEIGHT	15 ft (4.57 m)	MAXIMUM # OF ELBOWS	4	MAXIMUM CHIMNEY HEIGHT	34 ft (10.4 m)	FLUE COLLAR	10"ø	MAXIMUM OFFSET ANGLE	30° US - 45° CANADA	MIN. CHIMNEY DIA.	8"ø
MINIMUM CHIMNEY HEIGHT	15 ft (4.57 m)	MAXIMUM # OF ELBOWS	4										
MAXIMUM CHIMNEY HEIGHT	34 ft (10.4 m)	FLUE COLLAR	10"ø										
MAXIMUM OFFSET ANGLE	30° US - 45° CANADA	MIN. CHIMNEY DIA.	8"ø										
<p>COMPONENTS REQUIS POUR L'INSTALLATION:</p> <p>LIVRÉ AVEC LE FOYER: MANUEL D'INSTRUCTIONS PARE-BRAISES POIGNÉES DE TRANSPORT RETENUE DES BÛCHES (CHENETS)</p> <p>NE LIVRÉ AVEC LE FOYER: BRIQUE RÉFRACTAIRE</p>													
<p>EXIGENCES POUR LA CHEMINÉE (voir le manuel d'instructions) La cheminée doit être certifiée selon l'une des normes suivantes : ULC-S604 et ULC S629 pour le Canada ou selon les normes UL-103 et UL-103HT pour les États-Unis. Installation de la cheminée de maçonnerie: revêtement en acier inoxydable doit être certifié à la norme ULC S640 M91 ou ULC 639 pour le Canada ou UL 1777 pour les États-Unis. Cheminée Refroidie à l'Air: Utiliser DuraVent DuraChimney II seulement. HAUTEUR MINIMALE DE LA CHEMINÉE 15 pi (4,57 m) # MAXIMAL DE COUDES: 4 HAUTEUR MAXIMALE DE LA CHEMINÉE 34 pi (10,4 m) BUSE D'ÉVACUATION: 10"ø ANGLE DE DÉVIATION MAXIMAL 30° US - 45° CANADA DIA. MIN. CHEMINÉE 8"ø</p>													
<p>Prevent creosote fire: Inspect chimney and chimney connector, if applicable, twice monthly and clean if necessary. Do not overfire. If exterior of unit glows red, you are overfiring. Keep furnishings and other combustible materials a considerable distance away from appliance. Type of fuel: solid wood only. Prévenir les feux de créosote: Inspectez la cheminée ou le raccord de cheminée, si applicable, deux fois par mois et nettoyez si nécessaire. Ne surchauffez pas. Si l'extérieur de l'appareil devient rouge, vous surchauffez. Gardez les meubles et autres matériaux combustible à une distance considérable de l'appareil de chauffage. Type de combustible: solide bois seulement.</p>	<p>Important: Before commencing installation, refer to the label located behind the faceplate and to the manufacturer's installation instructions packaged together with this unit. The installation must be approved by the authority having jurisdiction. Avant de commencer l'installation, référez-vous à l'étiquette qui se trouve derrière la façade ainsi qu'aux instructions d'installation du fabricant fournies avec l'appareil. L'installation doit être approuvée par l'autorité compétente.</p>												
<p>CAUTION: This fireplace needs a large amount of air to operate which may starve other fuel burning appliances of combustion, ventilation and dilution air. ATTENTION: Cette cheminée a besoin d'une grande quantité d'air pour l'exploitation qui peut affamer les autres appareils de combustion, ventilation et dilution d'air de combustion.</p>													
<p>This model meets the U.S. EPA Wood-burning Fireplace Program Phase 2 emission level. To minimize smoke, always operate your fireplace in accordance with the manufacturer's instructions found in the owner's manual. Additional information about EPA's Program is available at www.epa.gov/burnwise/index.html / Ce modèle répond à la Cheminée programme de phase de niveau 2 des émissions États Unis EPA à bois. Pour minimiser la fumée, toujours fonctionner votre foyer conformément aux instructions du fabricant figurant dans le manuel du propriétaire. Des renseignements supplémentaires sur le programme de l'EPA est disponible à www.epa.gov/burnwise/index.html</p>													
<p>WOLF STEEL 24 NAPOLEON ROAD, BARRIE, ONTARIO L4M 0G8 CANADA</p>													
<p>NZ5000 W385-2174</p>													

2.0 selecting wood

! WARNING

- This appliance is designed to burn natural wood only. Do not burn treated wood, coal, charcoal, coloured paper, cardboard, solvents or garbage.
- Higher efficiencies and lower emissions generally result when burning air dried seasoned hardwoods, as compared to softwoods or too green or freshly cut hardwoods.
- Burning wet unseasoned wood can cause excessive creosote accumulation. When ignited, it can cause a chimney fire that may result in a serious house fire.
- Do not store fuel within the clearance to combustibles, or in the space required for re-fueling and ash removal.

Before loading the appliance, ensure all required insulation and baffles (if equipped) are installed and situated properly. For maximum efficiency, when the appliance is thoroughly hot, load it fully to the specified maximum amount and burn at a medium low setting (if equipped). The whiteness of the bricks and the cleanliness of the glass are good indicators of your operating efficiency. Not enough heat is produced when only a few pieces of wood are burned or the wood may not burn completely.

note:

When loading the appliance, ensure to keep fuel back from the glass and behind the andirons. If coals are to accumulate on the front lip, there is a chance they will fall out when the door is opened.

TYPES OF WOOD

Both hardwood and softwood burn equally well in this appliance but hardwood is denser, will weigh more per cord and burn a little slower and longer.

Manufactured fire logs made by compressing 100% natural wood fibre can be safely used as fuel. Do not use manufactured fire logs if they contain additives such as paraffin, wax, binders, etc. Never burn more than two manufactured fire logs at a time.

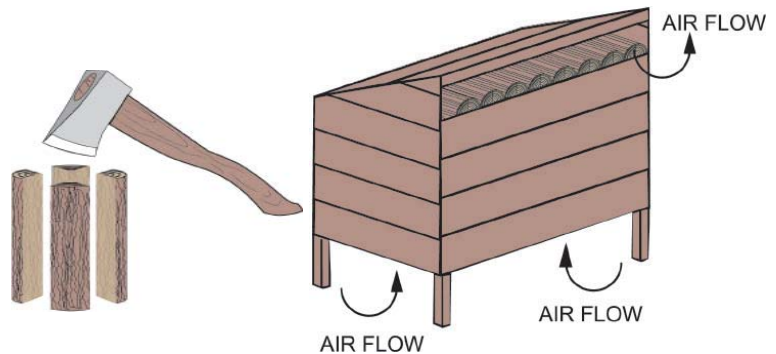
MOISTURE CONTENT

Burn only dry, clean unpainted wood that has been seasoned. It produces more heat and less soot or creosote. Freshly cut wood contains about 50% moisture while after proper seasoning only about 20% of the water remains. As wood is burned, this water boils off consuming energy that should be used in heating. The wetter the wood, the less heat is given off and the more creosote is produced. Dry firewood has cracks in the end of the grain.

STORING WOOD

Firewood should be split and stacked in a manner that allows for full air circulation and covered in early spring to be ready for burning that fall. Dry firewood has cracks in the end grain.

Cut the wood so that it will fit horizontally, front to back, making for easier loading and less of a likelihood that the wood will roll onto the glass.



Fuel for the appliance must not be stored closer than the required clearances to combustibles (heat sensitive material). **NEVER STORE WOOD IN THE ASH PAN COMPARTMENT (if applicable).**

3.0 operation

Expansion / contraction noises during heating up and cooling down cycles are normal and to be expected.

TIPS FOR BURNING:

- Create a large fire to heat up the chimney.
- To create a large, quick burning fire, use small pieces of wood.
- For a lower but extended burn, stack large pieces of wood close together.
- For long burns, leave a 1" (25mm) - 2" (51mm) bed of ashes.
- Burn dry wood only.
- Create large, quick burning fires whenever possible. Smaller, slow burning fires using large logs will cause the glass to become dirty. Larger, quick burning fires using medium sized wood to refuel frequently are much more efficient.
- It is important to minimize visible smoke emitting from the chimney. Burning seasoned firewood, and following the operating instruction contained within this manual will ensure that visible smoke emissions are minimized.

DOS

- Verify with a moisture meter that wood contains no more than 20% moisture content.
- Burn several pieces of medium sized wood as they are better than a few big pieces.
- Clean chimney regularly.
- Refuel frequently using medium sized wood.

DON'TS

- Take ash out immediately. Let it accumulate to a depth of at least 1" (25mm). A good ash layer provides a longer lasting and better burning fire.
- Burn wet wood with more than 20% moisture content.
- Close the door too soon or damper down too quickly.
- Burn one large log rather than two or three smaller, sized logs.

3.1 operating sounds and smells

It is normal during operation to hear creaking and/or ticking sounds as the metal plate components of the appliance expand and contract. This may be present during both warm up and cool down periods.

During the break-in period (the first two or three fires) create only small, hot fires using kindling. This will allow the firebrick to cure. Do not be alarmed if small hairline cracks develop in the firebrick. This is a normal occurrence and does not pose a safety hazard. During this time, the paint may also emit an odour as it cures and you may wish to open a door or window to alleviate the smell.

There are many different ways to start a fire; review the hints and warnings in this section to ensure the fire is starting properly.

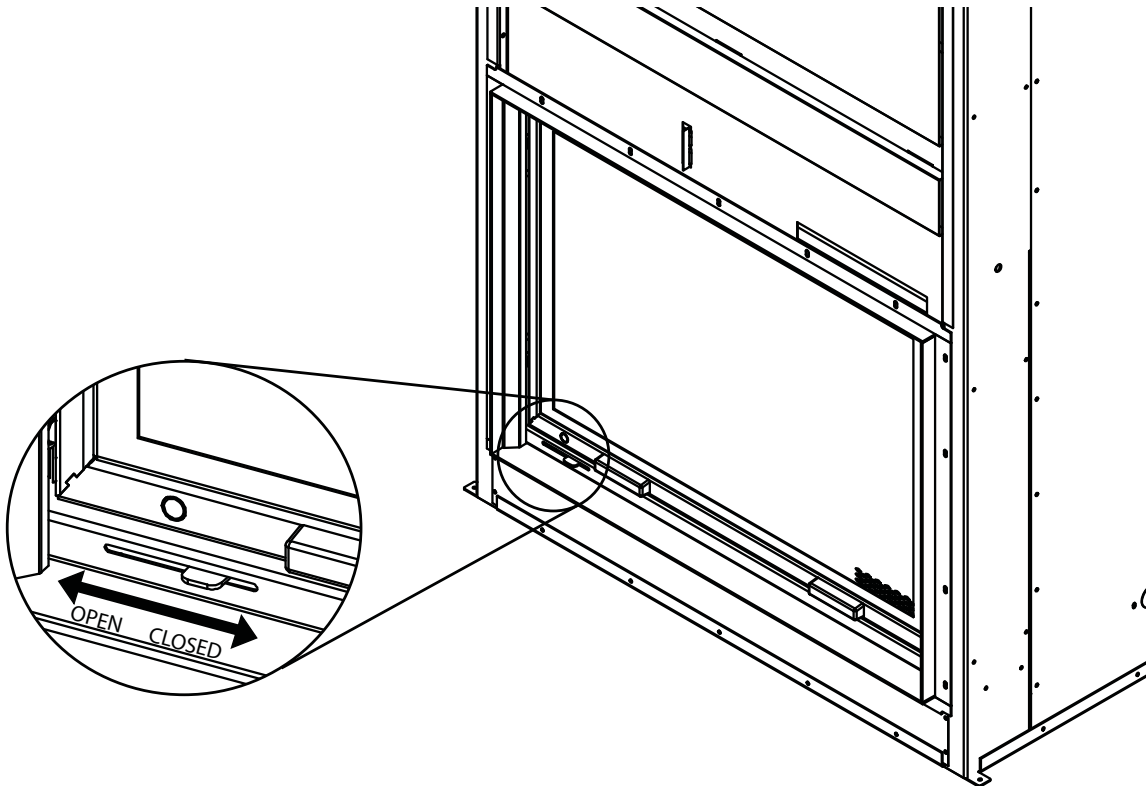
3.2 fire extinguishers / smoke detectors & carbon monoxide detectors

All homes with a solid fuel burning appliance should have at least one fire extinguisher in a central location, known to all, at least one smoke detector and carbon monoxide (CO) detector in the room containing the appliance. If the smoke detector sounds an alarm, correct the cause but do not deactivate or relocate the smoke detector. If the carbon monoxide detector sounds an alarm, immediately vent the area, evacuate and call your local fire department.

3.3 outside combustion air operation

! WARNING

- The outside air inlet must remain clear of leaves, debris, ice and/or snow. It must be unrestricted while appliance is in use to prevent room air starvation which can cause smoke spillage and an inability to maintain a fire. Smoke spillage can also set off smoke alarms.



The outside combustion air control is located below the screen assembly. Before lighting the appliance ensure that the outside combustion air control is open by moving the lever to the left.

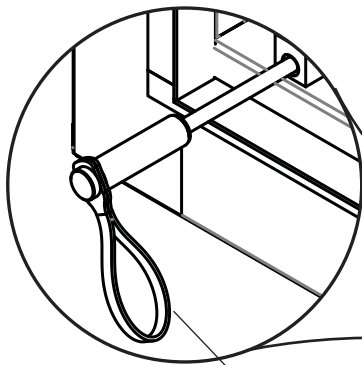
3.4 door & screen operation

! WARNING

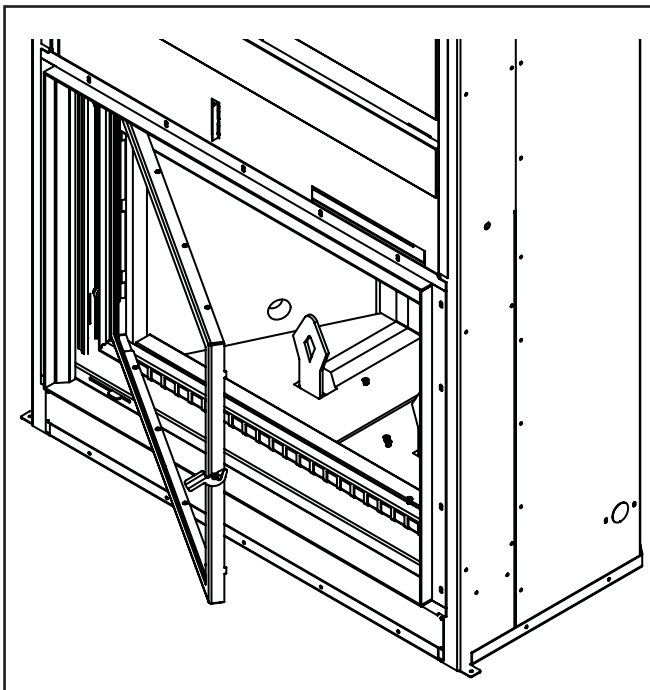
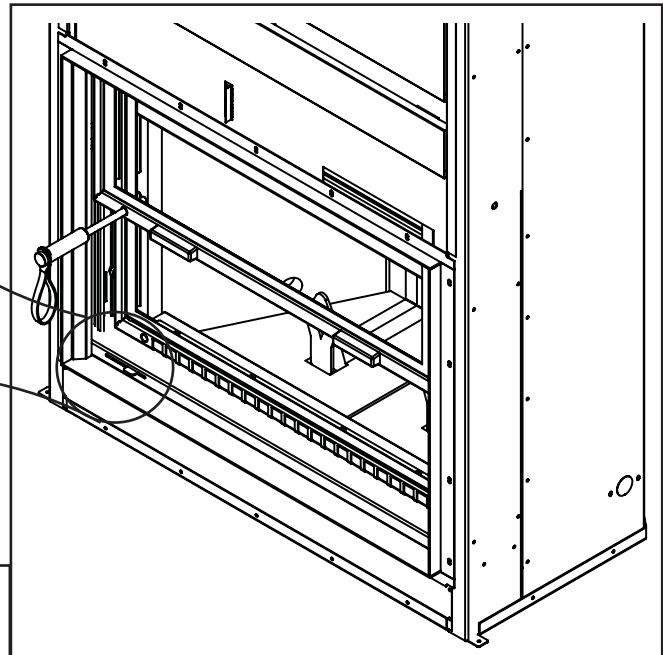
- Use only a non-combustible material to finish the face of the appliance. A non-combustible material such as cement board is required for this purpose.
- Ventilation openings are recommended for all enclosures.
- Above 73 3/8" (186.4cm) combustible finishing materials may be used on the front face.
- Do not insulate around the appliance.

Insert handle into screen and glass door receiver bottom left corner to raise and lower the door. When not in use, hang the handle on the tool set.

To swing open the glass door, lift the latch on the right side up and swing the door outward.



TETHER

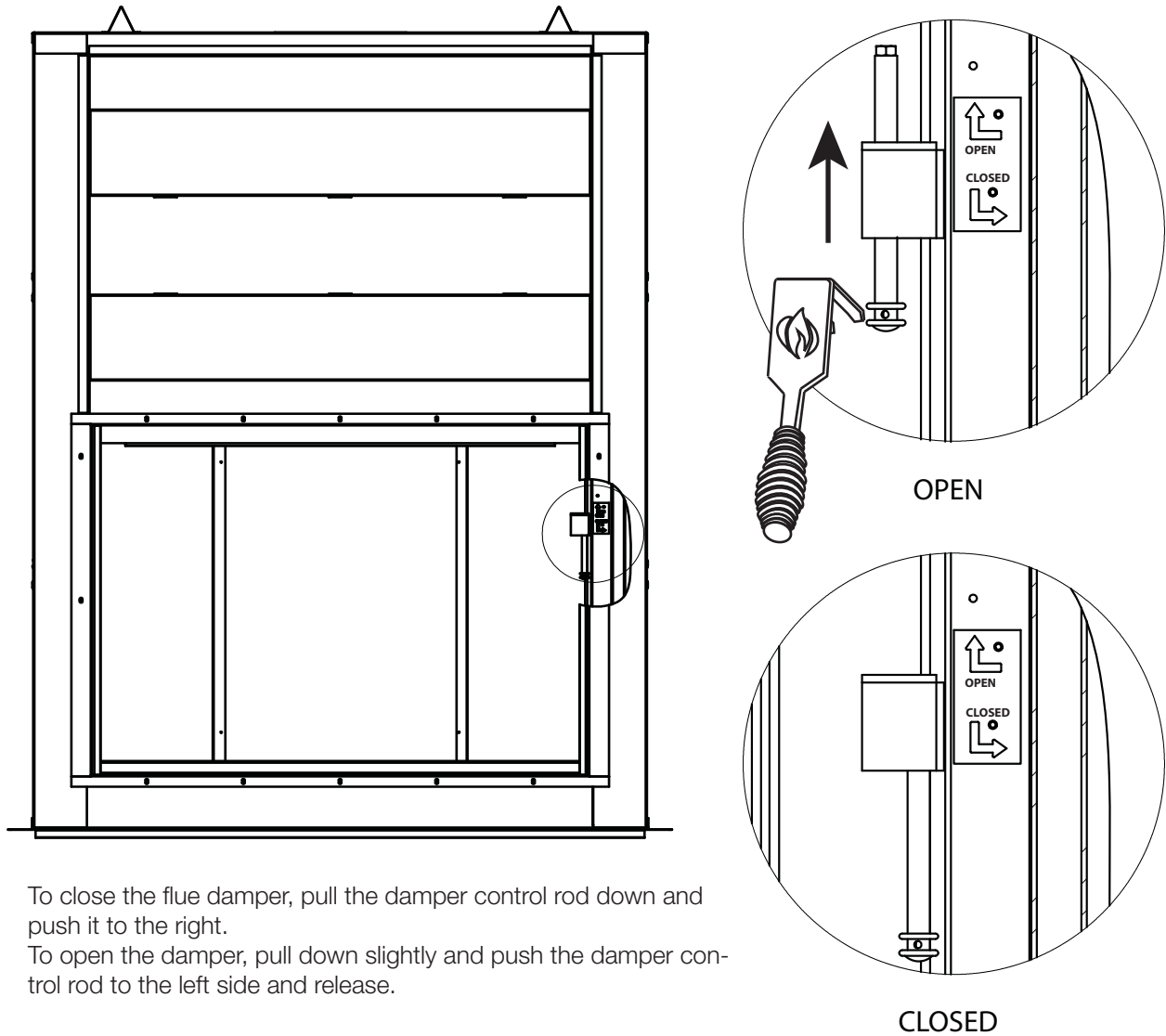
**note:**

To prevent the rapid rise of the doors, it is recommended to secure the cable on the top of the door frame when removing the door or screen frames.

note:

If the doors do not open or close smoothly and remain as positioned, see the "balance weight adjustment" section in the Installation Manual.

3.5 damper operation



To close the flue damper, pull the damper control rod down and push it to the right.

To open the damper, pull down slightly and push the damper control rod to the left side and release.

note:

The damper must be in the “open” position when burning.

note:

If the damper becomes unthreaded, it will remain in the “open” position.

note:

If the damper does not operate properly, do not start a fire.

operation

3.6 starting a fire

! WARNING

- Always operate this appliance with either the glass door or spark screen closed. After re-fueling, always close either the glass door or the spark screen. Always wear gloves to prevent injury.
- Never leave children unattended when there is a fire burning in the appliance.
- Never use gasoline-type lantern fuel, kerosene, charcoal lighter fluid, or similar liquids to start or “freshen up” a fire in this appliance. Keep all such liquids well away from the appliance.
- This appliance has been tested for use with vented and unvented gas log sets. Follow manufacturer’s instructions for proper installation and operation.
- Do not build fire too close to door glass. Do not poke or stir the logs while they are burning. Use only fire logs that have been evaluated for the application in the fireplace and refer to fire log warnings and caution markings on the packaging prior to use.

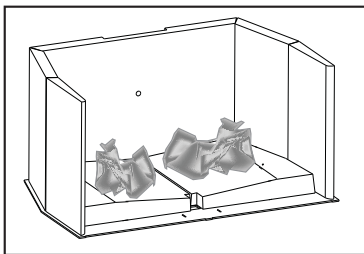
Remove all sources of gasoline or other flammable vapours and liquids in the vicinity of this or other appliances prior to lighting.

Use solid wood, processed solid fire logs (or other specified type) fuel only.

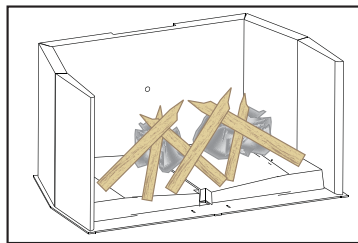
Use plenty of newspaper and kindling to ensure the appliance quickly reaches a proper temperature. Once the kindling is burning rapidly, place a few larger pieces of wood onto the fire.

tip:

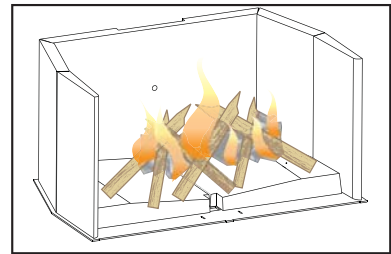
When first lighting a fire, if the smoke is not quickly drawn into the chimney, there may be a downdraft or cold air in the chimney. By first burning large amounts of crumpled newspaper, the chimney will get heated causing the smoke to quickly vent up the chimney.



1. To start, a brisk fire is required. Roll up some newspaper (loosely crumpled), light it and place it near the appliance flue until the chimney begins to draw.



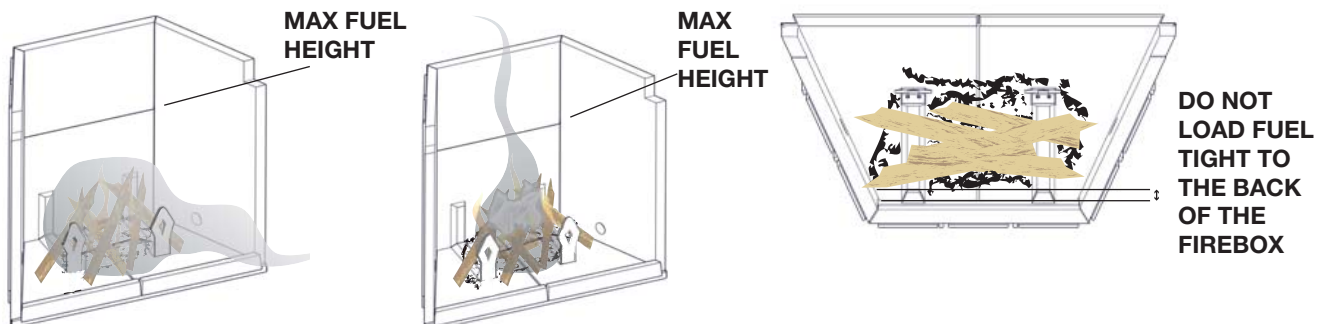
2. Cover with dry kindling.



3. Light the paper and when the kindling is burning, add more fuel.

Draft is the force which moves air from the appliance up through the chimney. The amount of draft in your chimney depends on the length of the chimney, local geography, nearby obstructions and other forces.

Inadequate draft may cause back-puffing into the room and may cause plugging of the chimney. Too much draft may cause an excessive temperature in the appliance, glowing red appliance parts or an uncontrollable burn which can all lead to a chimney fire or a permanent damage to the appliance.



- Max fuel load 35lbs (16kg)
- Max fuel height, halfway up the firebox (to the separation line of the rear firebrick).

3.7 smoking

A properly installed appliance should not smoke. If yours does, check the following:

- Has the chimney had time to get hot?
- Is the smoke passage blocked anywhere in the appliance, chimney connector or chimney?
- Is the room too airtight and the air intake not connected to the outside? Try with a window partly open.
- Is the smoke flow impeded by too long a horizontal pipe or too many bends?
- Is it a weak draft perhaps caused by a leaky chimney, a cold outside chimney, too large a diameter of a chimney, too short a chimney, or a chimney too close to trees or a higher roof?
- Is the moisture content of the wood greater than 20%?

note:

Differences in chimney height and draft may lower overall burn times.

DO NOT OVERFIRE THE APPLIANCE! Over firing can occur by burning large amounts of smaller wood pieces or vigorously burning large loads of wood for long periods of time (one or two hours).

If smoking continues to be a problem, contact your local authorized Napoleon dealer.

3.8 reloading the appliance

WARNING

- Burning wet, unseasoned wood can cause excessive creosote accumulation, which when ignited can cause a chimney fire that may result in a serious house fire.

When refuelling, open the door slowly to prevent smoke spillage. Use a pair of long heat resistant gloves when feeding the fire. Keep a small steel shovel nearby to use as a poker and to remove ashes. Do not store wood within 4 feet (1.2m) of the appliance.

3.9 gas log set

WARNING

- Only unvented gas log sets which have been found to comply with the standard for Unvented Room Heaters, ANSI/IAS/AGA Z21.11.2, are to be operated in this appliance.
- Do not operate unvented gas log sets in this appliance with the chimney removed.

Follow manufacturer's operating instructions for use of gas log sets.

When an unvented gas log set is installed, ensure the damper on the appliance is fixed in the closed position prior to every use.

When a vented gas log set is installed, ensure the damper is fixed in the open position prior to every use.

4.0 maintenance

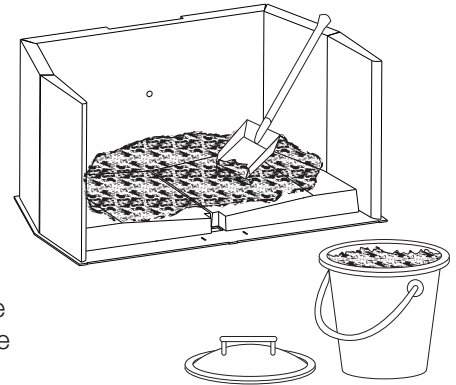
4.1 ash removal procedures

! WARNING

- Improper disposal of ashes results in fires. Do not discard ashes in cardboard boxes, dump in back yards, or store in garages.
- If using a vacuum to clean up ashes, be sure the ashes are entirely cooled. Using a vacuum to clean up warm ashes could cause a fire inside the vacuum.

A bed of ashes approximately 1" (25mm) deep should be left on the firebox bottom to help maintain a hot charcoal bed. When the fire has burned down and cooled, remove any excess ashes. To remove the ash, follow the directions below. This appliance is equipped with pivoting andirons to allow any ash removal.

1. After the last coal has extinguished, let the appliance cool at least two hours.
2. Open the appliance doors.
3. Scoop the ash from the firebox into a metal container with a lid. Cover the container and move the container away from the appliance onto a suitable surface to ensure the ashes cool.
4. Dispose of the ashes.



note:

Ashes should be placed in a metal container with a tight-fitting lid. The closed container of ashes should be placed on a non-combustible floor or on the ground well away from all combustible materials, pending final disposal. If the ashes are disposed of by burial or in soil or otherwise locally dispersed, they should be retained in the closed container until all cinders have thoroughly cooled.

4.2 creosote formation and removal

When wood is burned slowly, it produces tar and other organic vapors, which combine with expelled moisture to form creosote. The creosote vapors condense in the relatively cooler chimney flue or a slow-burning fire. As a result, creosote residue accumulates on the flue lining. When ignited, this creosote makes an extremely hot fire.

The chimney connector and chimney should be inspected at least once every two months during the heating season to determine if a creosote buildup has occurred.

If creosote has accumulated, it should be removed to reduce the risk of a chimney fire.

4.3 run-away or chimney fire

! WARNING

- A chimney fire can permanently damage your chimney system. This damage can only be repaired by replacing the damaged component parts. Chimney fires are not covered by the lifetime limited warranty.

CAUSES:

- Using incorrect fuel, or small fuel pieces which would normally be used as kindling.
- Creosote build up in chimney.
- Leaving the door ajar too long and creating extreme temperatures as the air rushes in the open door.
- If equipped, burning your appliance with the ash plug not securely seated.

SOLUTIONS:

- Do not burn treated, painted, artificial, paper or processed wood logs, coal, charcoal, coloured paper or cardboard.
- Have chimney regularly cleaned.
- Be careful not to over-fire the appliance by leaving the door open too long after initial start-up. A thermometer on the chimney connector and/or appliance top helps to indicate the appliance operating temperature.

- If equipped, always operate the appliance with the ash plug properly installed.

IN CASE OF A CHIMNEY FIRE:

- Close glass door and air control
- Have a well understood plan for evacuation and a place outside for everyone to meet. Prepare to evacuate to ensure everyone’s safety.
- Call local fire department. Have a fire extinguisher handy. Contact local authorities for further information on how to handle a chimney fire.
- After the chimney fire is out, clean and inspect the chimney or chimney liner for stress and cracks prior to lighting another fire. Also check combustibles around the chimney and the roof.

4.4 chimney cleaning

Both the chimney and the appliance must be inspected and cleaned, if necessary, at least once a year. For serious wood burners, chimney cleaning must be done as needed to avoid chimney fires; the venting systems for controlled combustion appliances may need cleaning as often as once a month. These rates, however, depend on the burning habits of the individual operating the appliance. For example, it is possible to clog a solid fuel appliance chimney in a few days if slow, smoldering fires are burned and the chimney is cold.

Certain items and considerations are important in chimney cleaning:

- Proper tools should be used, including a brush specifically designed for chimney cleaning.
- The chimney dampers as well as the chimney should be cleaned.
- The appliance’s firebox should be cleaned, if needed.
- The chimney should be inspected and repairs made, if needed, preferably by a qualified chimney sweep or mason.

4.5 care of glass

! WARNING

- Do not clean glass when hot! Do not use abrasive cleaners to clean glass.

If the glass is not kept clean, permanent discolouration and/or blemishes may result. Normally a hot fire will clean the glass. The most common reasons for dirty glass include:

- Not using sufficient fuel to get the appliance thoroughly hot.
- Using green or wet wood.
- Closing the draft (if equipped) so far that there is insufficient air for complete combustion.



If it is necessary to clean the glass, buff lightly with a clean dry cloth and non-abrasive cleaner. Clean the glass after the first 10 hours of operation with a recommended appliance glass cleaner. Thereafter, clean as required.

The glass is very strong, but do not let burning fuel rest or fall against it and always close the door gently.

NEVER FORCE OR SLAM IT SHUT!

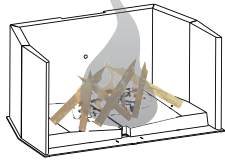
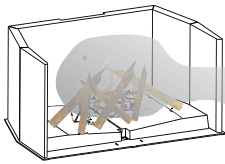
Do not operate the appliance with broken glass, as leakage of flue gases may result.

Contact your local authorized dealer/distributor for complete cleaning instructions.

If the glass should ever crack or break while the fire is burning, do not open the door until the fire is out. Do not operate the appliance until the glass has been replaced. Contact your local authorized dealer/distributor for replacement parts. **DO NOT SUBSTITUTE MATERIALS.**

5.0 troubleshooting

symptom	problem	test solution
Smoke enters the room during start-up	Damper in closed position.	Open damper. See “operation” section.
	Cold air blockage in chimney.	Burn a piece of newspaper to establish a draft.
	Negative pressure in building.	Open outside air control damper. Open a door or window.
Smoke enters the room while re-loading	Damper in closed position.	Open damper. See “operation” section.
	Insufficient draft.	Chimney height and outside conditions can negatively affect draft. In these cases, a small amount of smoke may enter the home. Adding more pipe or a draft-inducing cap may help. Clean chimney.
Appliance smoking.	Damper in closed position.	Open damper. See “operation” section.
	Chimney cold.	Burn a piece of paper to establish a draft, fuel as necessary to establish a hot flame.
	Inadequate supply of combustion air.	Chimney height and outside conditions can negatively affect draft. In these, a small amount of smoke may enter the home. Adding more pipe or a draft-inducing cap may help.
	The outside air damper opened.	Close damper. See “operation” section.
	The smoke passage is blocked in the appliance or chimney.	Check chimney for blockage and clear, if necessary.
	The smoke flow impeded by too long of a horizontal pipe or too many bends.	Refer to “typical chimney installation” section for proper chimney bends.
	A weak draft perhaps caused by a leaky chimney, a cold outside chimney, too short a chimney, or a chimney too close to a tree or a higher roof.	Chimney height and outside conditions can negatively affect draft. In these cases, a small amount of smoke may enter the home. Adding more pipe or a draft-inducing cap may help. Refer to “typical chimney installation” section for proper chimney bends.
Glass or screen door won't stay in position.	Door slowly opens.	Add adjustment weight to door.
	Door slowly closes.	Remove adjustment weight from door.
Glass or screen door isn't level.	Corner of the door is raised when fully closed.	Refer to “door level adjustment” section in Installation manual.



6.0 warranty

Napoleon Wood Appliances are manufactured under the strict Standard of the world recognized ISO 9001 : 2008 Quality Assurance Certificate.

Napoleon products are designed with superior components and materials assembled by trained craftsmen who take great pride in their work. The complete appliance is again thoroughly inspected by a qualified technician before packaging to ensure that you, the customer, receives the quality product that you expect from **Napoleon**.

Napoleon Wood Appliances President's Lifetime Limited Warranty

The following materials and workmanship in your new **Napoleon** Wood Appliance are warranted against defects for as long as you own the appliance. For pellet appliances this covers: the pellet hopper, outer shell, ceramic glass (thermal breakage only) and ash drawer.* For wood appliances this covers: combustion chamber, heat exchanger, ceramic glass (thermal breakage only), gold plated parts against tarnishing, porcelainized enameled components, aluminum extrusion trims, vortex baffles, ash drawer and iron castings.*

For pellet appliances, the combustion chamber and heat exchanger are warranted against defects for a period of 5 years. For wood appliances equipped with a guillotine door/screen system, they are warranted against defects for a period of 5 years.

Electrical (110V) components and wearable parts are covered and **Napoleon** will provide replacement parts free of charge during the first year of the limited warranty. For pellet appliances this covers: blowers, thermal switches and burn pot.* For wood appliances this covers: blowers, thermal switch, switches, wiring, firebrick, stainless steel baffle retainer, secondary air tubes and gasketing.*

Labour related to warranty repair is covered free of charge during the first year, with the exception of the guillotine door/screen system which will be warranted for a period of 3 years. Repair work, however, requires the prior approval of an authorized company official. Labour costs to the account of **Napoleon** are based on a predetermined rate schedule and any repair work must be done through an authorized **Napoleon** dealer.

For appliances that include firebricks and baffles, they should routinely be removed by the operator as part of the regular service and therefore, any warranty replacement of these parts does not qualify for any labour allowances.

* Construction of models vary. Warranty applies only to components included with your specific appliance.

Conditions and Limitations

Napoleon warrants its products against manufacturing defects to the original purchaser only. Registering your warranty is not necessary. Simply provide your proof of purchase along with the model and serial number to make a warranty claim. Provided that the purchase was made through an authorized **Napoleon** dealer, your appliance is subject to the following conditions and limitations:

Warranty coverage begins on the date of original installation. This factory warranty is non-transferable and may not be extended whatsoever by any of our representatives. The wood appliance must be installed by a qualified and authorized installer, service agency or supplier. Installation must be done in accordance with the installation instructions included with the product and all local and national building and fire codes. This limited warranty does not cover damages caused by misuse, lack of maintenance, accident, alterations, abuse or neglect. Operating the appliance on high for extended periods of time, is neglect. Parts installed from other manufacturers will nullify this warranty.

This limited warranty further does not cover any scratches, dents, corrosion or discoloring caused by excessive heat, abrasive and chemical cleaners nor chipping on porcelain enamel parts, nor any venting components used in the installation of the appliance. In the first year only, this warranty extends to the repair or replacement of warranted parts which are defective in material or workmanship provided that the product has been operated in accordance with the operation instructions and under normal conditions. After the first year, with respect to the President's Limited Lifetime Warranty, **Napoleon** may, at its discretion, fully discharge all obligations with respect to this warranty by refunding to the original warranted purchaser the wholesale price of any warranted but defective parts. After the first year, **Napoleon** will not be responsible for installation, labour or any other costs or expenses related to the reinstallation of a warranted part, and such expenses are not covered by this warranty. Notwithstanding any provisions contained in the President's Limited Lifetime Warranty, **Napoleon's** responsibility under this warranty is defined as above and it shall not, in any event, extend to any incidental, consequential or indirect damages. This warranty defines the obligations and liability of **Napoleon** with respect to the **Napoleon** wood appliance and any other warranties expressed or implied with respect to this product, its components or accessories are excluded. **Napoleon** neither assumes, nor authorizes any third party to assume, on its behalf, any other liabilities with respect to the sale of this product. **Napoleon** will not be responsible for: over-firing, downdrafts, spillage caused by environmental conditions such as rooftops, buildings, nearby trees, hills, mountains, inadequate vents or ventilation, excessive venting configurations, insufficient makeup air, or negative air pressures which may or may not be caused by mechanical systems such as exhaust blowers, furnaces, clothes dryers, etc.

Any damages to appliance, combustion chamber, heat exchanger, brass trim or other component due to water, weather damage, long periods of dampness, condensation, damaging chemicals or cleaners will not be the responsibility of **Napoleon**. Regular cleaning of the fine ash generated during the operation of this appliance is a necessary part of maintaining your wood appliance. Failure of any components, which is attributed to poor maintenance, is not warrantable and will not be covered by this policy. **Napoleon** reserves the right to have its representative inspect any product or part thereof prior to honouring any warranty claim. All parts replaced under the President's Limited Lifetime Warranty Policy are subject to a single claim. During the first 10 years **Napoleon** will replace or repair the defective parts covered by the lifetime warranty at our discretion free of charge. From 10 years to life, **Napoleon** will provide replacement parts at 50% of the current retail price. All parts replaced under the warranty will be covered for a period of 90 days from the date of their installation. The manufacturer may require that defective parts or products be returned or that digital pictures be provided to support the claim. Returned products are to be shipped prepaid to the manufacturer for investigation. If a product is found to be defective, the manufacturer will repair or replace such defect. Before shipping your appliance or defective components, your dealer must obtain an authorization number. Any merchandise shipped without authorization will be refused and returned to sender. Shipping costs are not covered under this warranty. Additional service fees may apply if you are seeking warranty service from a dealer. Warranty labour allowance is only for the replacement of the warranted part. Travel, diagnostic tests, shipping and other related charges are not covered by this warranty and other related charges are not covered by this warranty.

All specifications and designed are subject to change without prior notice due to on-going product improvements. **Napoleon** is a registered trademark of Wolf Steel Ltd.

7.0 service history

Appliance Service History This appliance must be serviced annually depending on usage				
Date	Dealer Name	Service Technician Name	Service Performed	Special Concerns

Appliance Service History

This appliance must be serviced annually depending on usage

Date	Dealer Name	Service Technician Name	Service Performed	Special Concerns

Other Napoleon Products



Fireplace Inserts • Charcoal Grills • Gas Fireplaces • Waterfalls • Wood Stoves
Heating & Cooling • Electric Fireplaces • Outdoor Fireplaces • Gas Grills



24 Napoleon Road, Barrie, Ontario, Canada L4M 0G8
214 Bayview Drive, Barrie, Ontario, Canada L4N 4Y8
103 Miller Drive, Crittenden, Kentucky, USA 41030
7200 Trans Canada Highway, Montreal, Quebec, Canada H4T 1A3

Fireplaces / Heating & Cooling call: 705-721-1212 • Grills call: 705-726-4278
napoleonproducts.com

Cet appareil au bois doit faire l'objet d'une inspection et d'un entretien périodiques pour un fonctionnement adéquat. Les règlements fédéraux de l'États-Unis interdisent d'utiliser cet appareil de chauffage d'une manière allant à l'encontre des instructions de fonctionnement contenues dans ce manuel.

FRANÇAIS



MANUEL DU PROPRIÉTAIRE



High Country™ NZ5000



pour l'utilisation intérieure seulement

CONSIGNES DE SÉCURITÉ



AVERTISSEMENT

Si ces instructions ne sont pas suivies à la lettre, un incendie ou une explosion pourraient s'ensuivre, causant des dommages matériels, des blessures corporelles ou des pertes de vie.

Veuillez lire le manuel en entier avant d'installer et d'utiliser cet appareil.

Cet appareil n'a pas été testé avec un ensemble de bûches à gaz non ventilées. Afin de réduire le risque d'incendie ou de blessure, n'installez pas d'ensemble de bûches à gaz non ventilées dans cet appareil.

- Cet appareil peut devenir très chaud lorsqu'il fonctionne.
- Les matériaux combustibles, tels que le bois de chauffage, les vêtements mouillés, etc. placés trop près de l'appareil pourraient prendre feu.
- Il faut empêcher les enfants et les animaux de toucher le foyer quand il est chaud.
- La cheminée doit être en bon état et ne pas être fêlée. Avant d'installer cet appareil, contactez le service du bâtiment ou le service d'incendie de votre municipalité et suivez leurs directives.
- Brûlez le bois en arrière du pare-bûches, directement sur les briques réfractaires.
- N'utilisez pas un chenet et n'essayez pas de surélever le feu de quelque manière.
- Cet appareil a été conçu pour brûler du bois naturel uniquement. Vous obtenez une meilleure efficacité et des émissions plus basses avec du bois dur séché à l'air qu'avec du bois résineux ou vert, ou du bois dur fraîchement coupé.
- N'allumez pas votre feu à l'aide de produits chimiques ou de liquides, tels que l'essence, de l'huile à moteur, etc.
- Ne brûlez pas de bois traité, de charbon de bois, de charbon, de papier de couleur, de carton, de solvant ou de déchets.
- Ne laissez pas l'appareil chauffer au point où des parties deviennent rougeoyantes.

CES APPAREILS ONT ÉTÉ TESTÉ ET HOMOLOGUÉ PAR INTERTEK TESTING SERVICES LTÉ.
SELON LES NORMES : NORMES ULC S610 ET UL 127 POUR LES FOYERS PRÉFABRIQUÉS.
*LE NZ5000 EST UN EPA FAIBLE MASSE BOIS CHEMINÉE PROGRAMME VOLONTAIRE PHASE 2 D'ÉMISSION NIVEAU QUALIFIÉ MODÈLE



Numéro de Projet:
0415WF013S
0415WF013E



Wolf Steel Ltd., 24 Napoleon Rd., Barrie, ON, L4M 0G8 Canada / 103 Miller Drive, Crittenden, Kentucky, USA, 41030
(705)721-1212 • Télécopieur (705)720-9081 • www.napoleonfoyers.com • hearth@napoleonproducts.com

condignes de sécurité

AVERTISSEMENT

- Cet appareil est chaud lorsqu'il fonctionne et peut causer de graves brûlures en cas de contact.
- Toute modification apportée à cet appareil ou aux contrôles peut être dangereuse et est interdite.
- Ne faites pas fonctionner l'appareil avant d'avoir lu et compris les instructions d'opération. Omettre d'utiliser l'appareil selon les instructions d'opération pourrait causer un incendie ou des blessures.
- Avant d'installer cet appareil, contactez les autorités locales du bâtiment ou le service des incendies et suivez leurs directives.
- Cet appareil doit être installé par un installateur qualifié. N'essayez jamais de réparer ou de remplacer les pièces de cet appareil à moins que des instructions soient fournies à cet effet dans ce manuel. Tout autre travail devrait être effectué par un technicien qualifié.
- Risque de brûlures. L'appareil doit être éteint et refroidi avant d'effectuer un entretien.
- Ne faites pas fonctionner tant que tous les composants ne sont pas complètement installés. N'installez pas de composants endommagés ou incomplets ni des composants substituts.
- Ne laissez pas l'appareil chauffer au point où des parties deviennent rougeoyantes.
- Risque de coupures et d'éraflures. Portez des gants protecteurs et des lunettes de sécurité lors de l'installation. Les bordures des pièces de métal peuvent être coupantes.
- Cet appareil doit être raccordé électriquement par un électricien qualifié conformément aux codes locaux. En l'absence de codes locaux, utilisez la version courante du code canadien de l'électricité CSA C22.1 au Canada ou le national electrical code ANSI/NFPA 70 aux États-Unis.
- Brûler votre appareil avec la porte de décharge de cendre ouverte crée un risque d'incendie qui peuvent entraîner une décoloration de la porte, les dommages internes à l'appareil ou un feu de cheminée de la chambre.
- Cet appareil ne doit pas être raccordé au conduit d'une cheminée desservant un autre appareil.
- Les enfants et les adultes devraient être informés des dangers que posent les températures de surface élevées et se tenir à distance afin d'éviter des brûlures ou que leurs vêtements ne s'enflamment.
- Surveillez attentivement les jeunes enfants lorsqu'ils sont dans la même pièce que l'appareil. Les jeunes enfants et autres sont plus à risque de contacts accidentels causant des brûlures. Une barrière physique est conseillée lorsque qu'il y a des individus à risque dans la maison. Pour empêcher l'accès à un appareil ou un poêle, installez une barrière de sécurité pour garder les jeunes enfants et autres individus à risque hors de la pièce et éloignés des surfaces chaudes. Les vêtements et autres matériaux combustibles ne doivent pas être posés sur le foyer ou à proximité.
- En raison des températures élevées, le foyer devrait être placé loin des endroits passants et loin des meubles et des rideaux. Les objets placés devant l'appareil doivent être gardés à une distance d'au moins 4 pieds (1,2m) de l'avant de l'appareil.
- En raison des températures élevées, l'appareil devrait être placé loin des endroits passants et loin des meubles et des rideaux.
- Assurez-vous de disposer de mesures de sécurité adéquates pour empêcher les jeunes enfants de toucher aux surfaces chaudes.
- Même une fois que le foyer est éteint, la vitre et/ou le pare-étincelles demeureront chauds pendant un temps prolongé.
- Consultez votre détaillant local de foyer pour connaître les grillages de sécurité et les écrans offerts pour protéger les enfants des surfaces chaudes. Ces grillages de sécurité et ces écrans doivent être fixés au plancher.
- Les grillages de sécurité ou écrans enlevés pour faire l'entretien devront être remis en place avant d'utiliser l'appareil.
- Cet appareil ne devra être modifié en aucun cas.
- Cet appareil ne doit pas être raccordé au conduit d'une cheminée desservant un autre appareil de chauffage à combustible solide.
- Ne pas opérer l'appareil lorsque la porte vitrée est enlevée, fissurée ou brisée. Le remplacement de la vitre devra être effectué par un technicien de service certifié ou qualifié.
- Ne frappez pas et ne claquez pas la porte vitrée de l'appareil.
- Seulement les portes/façades certifiées pour cet appareil peuvent être utilisées avec cet appareil.
- Gardez les matériaux d'emballage hors de la portée des enfants et mettez ces matériaux au rebut de façon sécuritaire. Comme tous les emballages de plastique, ces matériaux ne sont pas des jouets et doivent demeurer hors de la portée des enfants et des bébés.
- Si cet appareil n'est pas installé de façon adéquate, un incendie pourrait s'ensuivre. N'exposez pas l'appareil aux éléments (p. ex. la pluie, etc.) et gardez-le au sec en tout temps. De l'isolant humide produira une odeur lorsque l'appareil est utilisé.
- La cheminée doit être en bon état et ne pas être fissurée. Nettoyez la cheminée au moins deux fois par année et lorsque nécessaire.
- N'allumez pas votre feu à l'aide de produits chimiques ou de liquides tels que de l'essence, de l'huile à moteur, etc.
- Votre appareil nécessite un entretien et un nettoyage périodiques. Négliger cet entretien peut causer des refoulements.



 **AVERTISSEMENT**

ments de fumée dans la maison.

- Les cendres doivent être mises dans un contenant métallique avec un couvercle hermétique et déposé sur une surface incombustible suffisamment éloigné de la maison ou de toute structure jusqu'à ce qu'elles soient complètement refroidies.
- Assurez-vous de respecter les dégagements aux matériaux combustibles lorsque vous installez un manteau ou des tablettes au-dessus de l'appareil. Les températures élevées sur le mur ou de l'air au-dessus de l'appareil peuvent faire fondre, décolorer ou endommager les décorations, les téléviseurs ou autres composants électroniques.

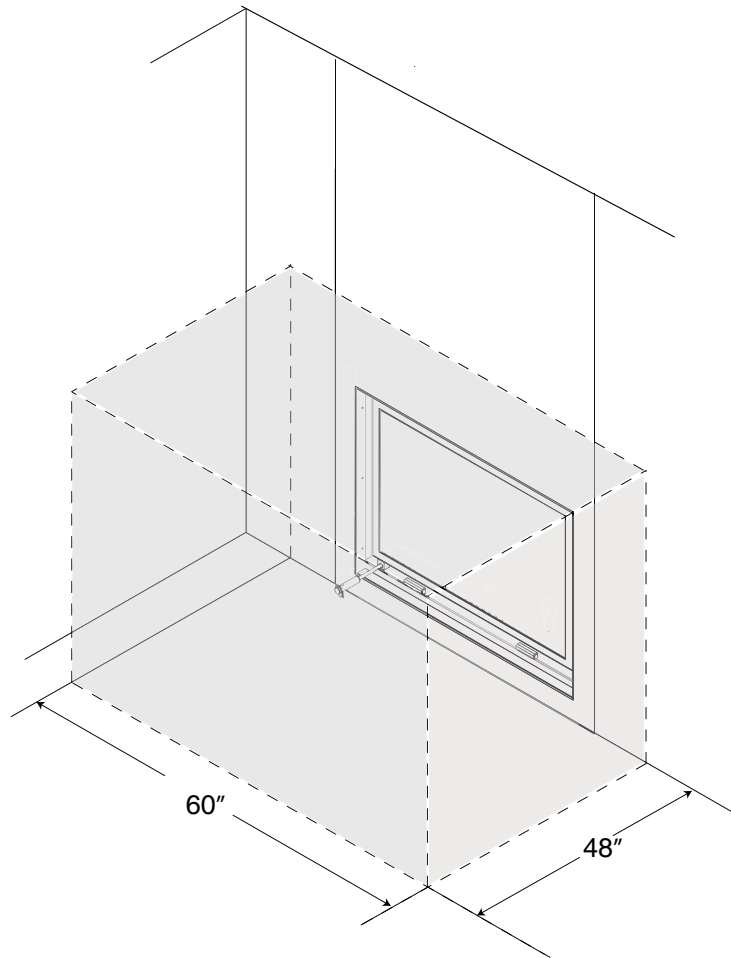
Pour les appareils de bois:

- Vous obtenez une meilleure efficacité et des émissions plus basses avec du bois dur séché à l'air qu'avec du bois résineux ou vert, ou des bois durs fraîchement coupés. Brûler du bois vert ou humide peut causer des accumulations excessives de créosote. Lorsqu'elle est allumée, cette dernière peut causer un feu de cheminée et un incendie grave pourrait s'ensuivre.
- Cet appareil a été conçu pour brûler du bois naturel uniquement. Ne brûlez pas de déchets, des résidus de tonte de pelouse, de caoutchouc, des produits pétroliers résiduels, de la peinture ou du diluant / de solvants, de plastique, des matériaux contenant de l'amiante, des débris de construction, des traverses de chemin de fer ou de bois traités, du fumier ou des restes d'animaux, du bois de grève imprégné de sel ou des matériaux salés, du bois non séché, de charbon, de papiers de couleur, emballage-cadeau, de cartons, des contreplaqués ou des panneaux de particules. La combustion de ces matériaux peut entraîner la libération de fumées toxiques ou rendre l'appareil inefficace et causer de la fumée.
- Brûlez le bois directement sur les briques réfractaires. N'utilisez pas un chenet et n'essayez pas de surélever le feu de quelque manière.
- Ne rangez pas de bois à l'intérieur des dégagements prescrits ou à l'intérieur de la zone nécessaire pour procéder au ravitaillement ou à l'enlèvement des cendres.
- Si équipé, le catalyseur doit être installé et en bon état de fonctionnement. Il est recommandé que le catalyseur est inspecté au moins 3 fois par saison de chauffage.

 **AVERTISSEMENT:** Ce produit peut vous exposer à des substances chimiques incluant le plomb et les composés de plomb qui, selon l'État de Californie, causeraient le cancer, et des substances chimiques incluant le monoxyde de carbone qui, selon l'État de Californie, causeraient des malformations congénitales ou autres dangers pour la reproduction. Pour de plus amples renseignements, visitez le www.P65Warnings.ca.gov.

! AVERTISSEMENT

Les foyers génèrent la chaleur radiante. Ne placez pas des objets devant l'appareil (distance minimum de 48 po).



Napoléon tient fièrement à votre confort domestique. Nous sommes fiers de dire que nos produits continuellement surpassent les normes de l'industrie et notre source d'inspiration c'est vous! Plus que tout, nous voulons vous faire sentir confiant dans le choix de Napoléon pour votre maison. Nos produits sont conçus pour fournir cette confiance et s'assurer que chaque produit de Napoléon est incomparable.

Les produits Napoléon sont conçus avec des composants et des matériaux de qualité supérieure, assemblés par des artisans qualifié qui sont fiers de leur travail.

Votre appareil de Napoléon a été soigneusement inspecté par un technicien qualifié avant d'être emballé pour garantir que vous, le client, recevez le produit de qualité dont vous vous attendez de Napoléon.

Détaillant: Renseignez votre information (ou carte de visite) et l'information de l'installation de l'appareil ci-dessous.

Information du Détaillant

Nom du détaillant: _____

Location du détaillant: _____

Téléphone du détaillant: _____

E-mail du détaillant: _____

Client: _____

Adresse du Client: _____

Date d'Installation: _____

Location de l'appareil: _____

Installateur: _____

**Détaillant: Location du Carte de
Visite**

N° de série: _____

1.0	apprendre à connaître votre appareil	29
1.1	location de la plaque d'homologation / instructions d'allumage	30
2.0	sélection du bois	31
3.0	fonctionnement	32
3.1	bruits et odeurs lors du fonctionnement	32
3.2	extincteurs et détecteurs de fumée	32
3.3	air comburant extérieur	33
3.4	opération de la porte et l'écran	34
3.5	opération amortisseur	35
3.6	allumer le feu (l'amortisseur ouvert)	36
3.7	fumée	37
3.8	ravitaillement de l'appareil	37
3.9	ensemble de bûches à gaz	37
4.0	entretien	38
4.1	enlèvement des cendres	38
4.2	formation et enlèvement de la créosote	38
4.3	feu de cheminée ou feu hors contrôle	38
4.4	nettoyage de la cheminée	39
4.5	soin de vitre	39
5.0	guide de dépannage	40
6.0	garantie	41
7.0	historique d'entretien	42

NOTE : Les changements autres que de nature éditoriale sont dénotés par une ligne verticale dans la marge.

1.0 apprendre à connaître votre appareil

Ce manuel est écrit pour une série complète de cheminées linéaires qui ont une gamme de différentes caractéristiques et spécifications. Avant de lire ce manuel, assurez-vous de que savoir quel modèle de cheminée que vous avez. Ces informations vont ont été remplies sur la plaque signalétique qui est fixée en permanence au foyer.

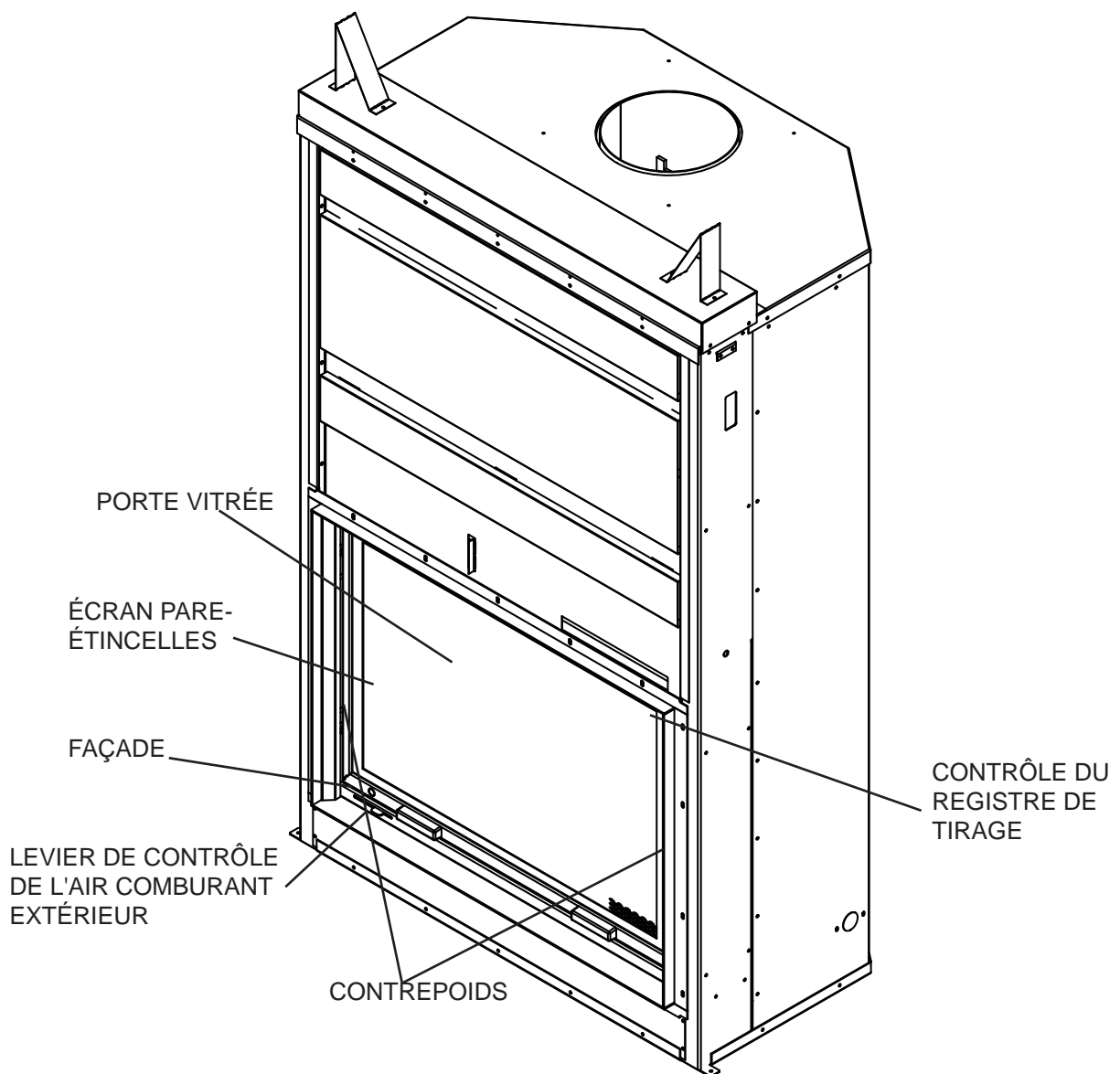
Ce manuel s'adresse au

- **NZ5000-T**

Si nécessaire, plus d'information technical est inclus dans le manuel d'installation de votre appareil.

L'information tout au long de ce manuel est censée être correctes au moment de l'impression. Wolf Steel Ltd. se réserve le droit de changer ou modifier toute information dans ce manuel à tout moment sans préavis. Modifications, autres que l'éditorial sont signalées par un trait vertical dans la marge.

Visitez le site web de Napoléon pour la version le plus récent de votre manuel.



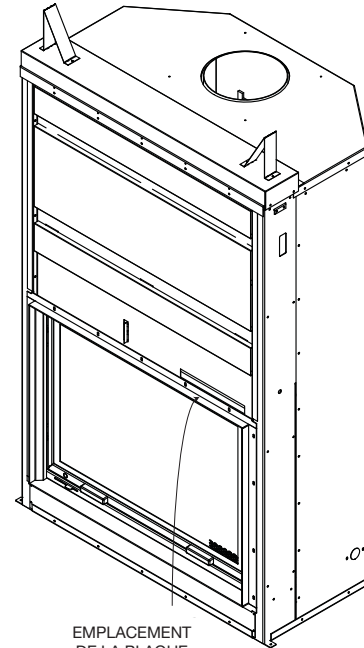
apprendre à connaître votre appareil

1.1 location de la plaque d'homologation / instructions d'allumage

La plaque d'homologation est située derrière la façade et la système de guidage sur la droite.

Cette illustration est à titre de référence seulement. Consultez la plaque d'homologation sur l'appareil pour obtenir l'information précise.

CERTIFIED TO / CERTIFIÉ SELON: ULC-S610-M87 (R2016), UL 127-2011 (R2016)	
 <p>Tested & Listed By OTL US Oregon USA OMNI Test Laboratories, Inc.</p>	<p>■ 9700539 (WSL) ■ 4001657 (NGZ) ■ 4001658 (NAC) ■ 4001659 (WUSA)</p>
<p>PROJECT NO. 0415WFO135 / 0415W0013E / PROJET N°. 0415WFO135 / 0415W0013E MODEL NO. NZ5000 / N° DE MODÈLE NZ5000</p>	
<p>NZ5000 NZ5000 AVERAGE EMISSION / EMISSION MOYENNE 4.6 g/kg</p>	
<p>LISTED FACTORY BUILT FIREPLACE MODEL. PHASE 2 EMISSION LEVEL QUALIFIED. / FOYER PRÉFABRIQUÉ HOMOLOGUÉ. LA PHASE 2 NIVEAU QUALIFIÉ D'ÉMISSION</p>	
<p>MODEL CERTIFICATION DATE / DATE DE CERTIFICATION DU MODÈLE: 04/23/17</p>	
<p>INSTALL AND USE ONLY IN ACCORDANCE WITH WOLF STEEL LTD. INSTALLATION INSTRUCTIONS AND OWNER'S MANUAL. CONTACT LOCAL BUILDING OR FIRE OFFICIALS ABOUT RESTRICTIONS AND INSTALLATION INSPECTION IN YOUR AREA. DO NOT CONNECT THIS UNIT TO A CHIMNEY SERVING ANOTHER APPLIANCE.</p>	
<p>POUR INSTALLATION ET UTILISATION CONFORMÈMENT AUX MANUEL WOLF STEEL LTÉE. RENSEIGNEZ-VOUS AUPRÈS DES AUTORITÉS LOCALES DU BÂTIMENT OU DU SERVICE DES INCENDIES AU SUJET DES RESTRICTIONS ET DES INSPECTIONS D'INSTALLATION DANS VOTRE RÉGION. NE PAS RACCORDER À LA CHEMINÉE D'UN AUTRE APPAREIL.</p>	
<p>Use Solid wood, processed solid fuel fire logs (or other specified type) fuel only. / Utilisez du bois massif transformés solides bûches de combustible (ou un autre type spécifié) combustible seulement.</p>	
<p>QUALIFIED EPA PHASE 2 MODEL UNTIL JULY 2020 / QUALIFIÉ EPA PHASE 2 MODÈLE JUSQU'À JUILLET 2020.</p> <p><input type="checkbox"/> 2017 <input type="checkbox"/> 2018 <input type="checkbox"/> 2019 <input type="checkbox"/> 2020 <input type="checkbox"/> Jan./Jan. <input type="checkbox"/> Apr./Avr. <input type="checkbox"/> Jul./Juill. <input type="checkbox"/> Oct./Oct. <input type="checkbox"/> Feb./Fév. <input type="checkbox"/> May/Mai <input type="checkbox"/> Aug./Août. <input type="checkbox"/> Nov/Nov. <input type="checkbox"/> Mar./Mars. <input type="checkbox"/> Jun/Juin <input type="checkbox"/> Sep/Sept. <input type="checkbox"/> Dec/Déc.</p>	<p>WARNING: Avertissement:</p> <ul style="list-style-type: none"> • Replace ceramic glass only with ceramic glass obtained from the dealer and certified for use with this appliance. • Not for use in a Mobile Home.
<p>WARNING: DO NOT OPERATE AN UNVENTED GAS LOG SET IN THIS APPLIANCE WITH THE CHIMNEY REMOVED. ONLY UNVENTED GAS LOG SETS CERTIFIED TO ANSI / IAS / AGA Z21.11.2 ARE TO BE INSTALLED IN THIS APPLIANCE.</p> <p>AVERTISSEMENT: N'UTILISER PAS UN ENSEMBLE DE BÛCHES SANS VENTILATION DANS CET APPAREIL AVEC LA CHEMINÉE ENLEVÉE. SEULEMENT LES ENSEMBLES DE BÛCHES CERTIFIÉ SELON ANSI / IAS / AGA Z21.11.2 PEUVENT ÊTRE INSTALLÉS DANS CET APPAREIL.</p>	<p>WARNING: Avertissement:</p> <ul style="list-style-type: none"> • Remplacer verre ceramique seulement uniquement avec verre ceramique obtenue auprès du concessionnaire et certifiées pour une utilisation avec cet appareil. • Ne peut être installé dans une maison mobile.
<p>Do not use a fireplace insert or other products not specified for use with this product. / N'utiliser pas un insert de cheminée ou d'autres produits non spécifiés pour l'utilisation avec ce produit.</p>	
<p>COMPONENTS REQUIRED FOR INSTALLATION: SHIPPED WITH THE FIREPLACE: INSTALLATION MANUAL, EMBER STRIP, LIFTING HANDLE, LOG RETAINERS (ANDIRONS) NOT SHIPPED WITH THE FIREPLACE: REFRACTORY BRICKS</p>	
<p>CHIMNEY REQUIREMENTS (see installation manual): Chimney must be certified to one of the following standards ULC-S604 and ULC S629 for Canada or UL-103 and UL-103HT for the United States. Masonry chimney installation: Stainless steel liner must be certified to ULC S640 M91 or ULC 639 for Canada or UL 1777 for the United States. Air Cooled Chimney: Use DuraVent DuraChimney II only.</p>	
<p>MINIMUM CHIMNEY HEIGHT 15 ft (4.57 m) MAXIMUM CHIMNEY HEIGHT 34 ft (10.4 m) MAXIMUM OFFSET ANGLE 30° US - 45° CANADA</p>	<p>MAXIMUM # OF ELBOWS 4 FLUE COLLAR 10"ø MIN. CHIMNEY DIA. 8"ø</p>
<p>COMPOSANTS REQUIS POUR L'INSTALLATION: LIVRÉ AVEC LE FOYER: MANUEL D'INSTRUCTIONS, PARE-BRAÏSES, POIGNÉES DE TRANSPORT, RETENUE DES BÛCHES (CHENETS) NE LIVRÉ AVEC LE FOYER: BRIQUE RÉFRACTAIRE</p>	
<p>EXIGENCES POUR LA CHEMINÉE (voir le manuel d'instructions) La cheminée doit être certifiée selon l'une des normes suivantes : ULC-S604 et ULC S629 pour le Canada ou selon les normes UL-103 et UL-103HT pour les États-Unis. Installation de la cheminée de maçonnerie: revêtement en acier inoxydable doit être certifié à la norme ULC S640 M91 ou ULC 639 pour le Canada ou UL 1777 pour les États-Unis. Cheminée Refroidie à l'Air: Utiliser DuraVent DuraChimney II seulement. HAUTEUR MINIMALE DE LA CHEMINÉE 15 pi (4,57 m) # MAXIMAL DE COUDES: 4 HAUTEUR MAXIMALE DE LA CHEMINÉE 34 pi (10,4 m) BUSE D'ÉVACUATION: 10"ø ANGLE DE DÉVIATION MAXIMAL 30° US - 45° CANADA DIA. MIN. CHEMINÉE 8"ø</p>	
<p>Prevent creosote fire: Inspect chimney and chimney connector, if applicable, twice monthly and clean if necessary. Do not overfire. If exterior of unit glows red, you are overfiring. Keep furnishings and other combustible materials a considerable distance away from appliance. Type of fuel: solid wood only. Prévenir les feux de créosote: Inspectez la cheminée ou le raccord de cheminée, si applicable, deux fois par mois et nettoyez si nécessaire. Ne surchauffez pas. Si l'extérieur de l'appareil devient rouge, vous surchauffez. Gardez les meubles et autres matériels combustible à une distance considérable de l'appareil de chauffage. Type de combustible: solide bois seulement.</p>	<p>Important: Before commencing installation, refer to the label located behind the faceplate and to the manufacturer's installation instructions packaged together with this unit. The installation must be approved by the authority having jurisdiction. Avant de commencer l'installation, référez-vous à l'étiquette qui se trouve derrière la façade ainsi qu'aux instructions d'installation du fabricant fournies avec l'appareil. L'installation doit être approuvée par l'autorité compétente.</p>
<p>CAUTION: This fireplace needs a large amount of air to operate which may starve other fuel burning appliances of combustion, ventilation and dilution air. ATTENTION: Cette cheminée a besoin d'une grande quantité d'air pour l'exploitation qui peut affamer les autres appareils de combustion, ventilation et dilution d'air de combustion.</p>	
<p>This model meets the U.S. EPA Wood-burning Fireplace Program Phase 2 emission level. To minimize smoke, always operate your fireplace in accordance with the manufacturer's instructions found in the owner's manual. Additional information about EPA's Program is available at www.epa.gov/burnwise/index.html / Ce modèle répond à la Cheminée programme de phase de niveau 2 des émissions États Unis EPA à bois. Pour minimiser la fumée, toujours fonctionner votre foyer conformément aux instructions du fabricant figurant dans le manuel du propriétaire. Des renseignements supplémentaires sur le programme de l'EPA est disponible à www.epa.gov/burnwise/index.html</p>	
<p>WOLF STEEL 24 NAPOLEON ROAD, BARRIE, ONTARIO L4M 0G8 CANADA NZ5000 W385-2174</p>	



EMPLACEMENT DE LA PLAQUE D'HOMOLOGATION

remarque:

La plaque d'homologation doit rester avec l'appareil à tout instant. Il ne doit pas être enlevé..

! AVERTISSEMENT

- Cet appareil a été conçu pour brûler du bois naturel uniquement. Ne brûlez pas du bois traité, de charbon de bois, de charbon, de papiers de couleur, de cartons, de solvants ni de déchets.
- Vous obtenez une meilleure efficacité et des émissions plus faibles avec du bois dur séché à l'air qu'avec du bois résineux ou vert, ou des bois durs fraîchement coupés.
- Brûler du bois vert ou humide peut causer des accumulations excessives de crésote. Lorsqu'allumée elle peut causer un feu de cheminée et un incendie grave pourrait s'ensuivre.
- N'entreposez pas le bois à l'intérieur des dégagements de l'appareil ou dans l'espace requis pour le ravitaillement ou l'enlèvement des cendres.

Des briques presque entièrement blanches et une vitre presque entièrement propre sont de bons indicateurs que votre appareil fonctionne efficacement. Lorsque vous ne brûlez que quelques bûches, l'appareil ne produira pas assez de chaleur ou le bois ne brûlera pas complètement.

remarque:

Lorsque vous chargez l'appareil, assurez-vous de garder le combustible éloigné de la vitre. Si des braises s'accumulent sur le rebord avant, elles pourraient tomber hors de l'appareil quand vous ouvrez la porte.

TYPES DE BOIS

Le bois dur brûle aussi bien que le bois résineux dans cet appareil; par contre, le bois dur est plus dense, plus lourd, brûle plus lentement et plus longtemps.

Les bûches artificielles obtenues par la compression de fibre de bois 100% naturelle peuvent être utilisées sans danger comme combustible. N'utilisez pas des bûches artificielles contenant des additifs comme de la paraffine, de la cire, des liants, etc. Ne brûlez jamais plus de deux bûches artificielles à la fois.

CONTIENT D'HUMIDITÉ

Ne brûlez que du bois propre, non peint et bien sec. Il produit plus de chaleur et moins de suie et de crésote. Le bois fraîchement coupé contient environ 50% d'humidité tandis qu'une fois séché, il n'en contient que 20%. Quand le bois brûle, l'eau bout en consommant une partie de l'énergie qui aurait dû produire de la chaleur. Plus le bois est humide, moins il y aura de chaleur et plus il y aura de crésote. Le bois sec a des craquelures dans les extrémités.

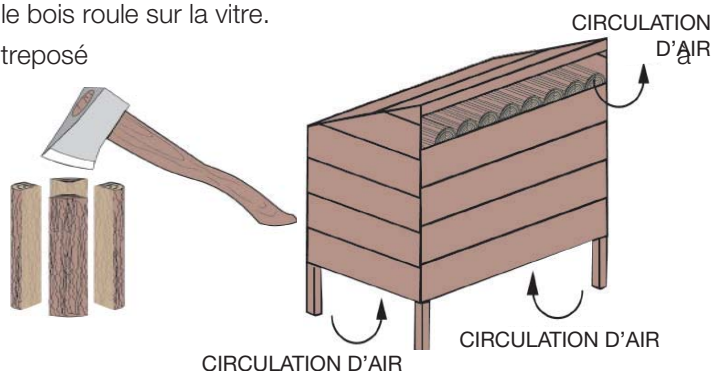
STOCKAGE DE BOIS

Bois de chauffage doit être divisé et empilés de façon à permettre la circulation de l'air complet et couverts au début du printemps pour être prêt pour la gravure de l'automne. Bois de chauffage sec a des fissures dans la fin du grain.

Coupez le bois de façon à ce qu'il puisse rentrer horizontalement, de l'arrière vers l'avant, dans l'appareil. Ceci facilite le chargement et il y aura moins de risque que le bois roule sur la vitre.

Le combustible pour l'appareil ne doit pas être entreposé à l'intérieur des dégagements minimaux aux matériaux combustibles (matériau sensible à la chaleur).

N'ENTREPOSEZ JAMAIS DE BOIS DANS LE COMPARTIMENT DU TIROIR À CENDRES (s'il y a lieu).



3.0 fonctionnement

Les bruits causés par l'expansion et la contraction lors des cycles de chauffage et de refroidissement sont tout à fait normaux et il faut s'y attendre.

CONSEILS LORSQUE VOUS FAITES UN FEU :

- Faites un grand feu pour réchauffer l'appareil.
- Pour faire un grand feu vif, utilisez des petits morceaux de bois.
- Pour un feu continu à combustion lente, chargez des bûches plus grosses, de façon compacte.
- Pour des durées de combustion plus longues, laissez un lit de braises d'une épaisseur de 1" (25.4mm) à 2" (50.8mm).
- Ne brûlez que du bois sec.
- Créez de grands feux vifs si possible. Des feux plus petits à combustion lente, utilisant de grosses bûches, feront noircir la vitre. De grands feux vifs à rechargements fréquents, utilisant des bûches de dimensions moyennes, sont beaucoup plus efficaces.
- Il est important de réduire au minimum la fumée visible émettant de la cheminée. Brûler le bois assaisonnés, maintenir la catalyst de l'appareil et suivre les instructions de fonctionnement dans ce manuel permettra de s'assurer que les émissions de fumée visibles sont minimisés.

À FAIRE

- Vérifier avec capteur d'humidité que le bois ne contient pas plus de 20% d'humidité.
- Plusieurs morceaux de dimensions moyennes sont préférables à quelques gros morceaux.
- Nettoyer la cheminée régulièrement.
- Réalimenter fréquemment en utilisant des morceaux de dimension moyenne.

À NE PAS FAIRE

- Retirer les cendres immédiatement. Laissez-les s'accumuler sur une épaisseur d'au moins un pouce. Une bonne couche de cendres favorise une attisée qui brûle mieux et qui dure plus longtemps.
- Brûler du bois humide avec plus de 20% d'humidité.
- Fermer la porte prématurément ou fermer le contrôle de combustion trop rapidement.
- Brûler un gros morceau de bois plutôt que deux ou trois morceaux plus petits, de dimensions plus raisonnables.

3.1 bruits et odeurs lors du fonctionnement

Si une soufflerie est installé, un léger bourdonnement peut être perçu en fonction de l'emplacement de la soufflerie. Ce bruit peut être minimisé en diminuant la vitesse de la soufflerie.

Durant la période de rodage (les 2 ou 3 premiers feux), ne faites que des petits feux chauds avec du bois d'allumage; ceci permettra à la brique réfractaire de se conditionner. Ne vous inquiétez pas si de petites fissures apparaissent dans les briques réfractaires. Cela est normal. Le patin peut également émettre une odeur ; vous devrez ouvrir une porte ou une fenêtre pour chasser les odeurs.

Il y a plusieurs façons d'allumer un feu. Passez en revue les conseils et les avertissements de cette section pour vous assurer que le feu soit allumé de façon adéquate.

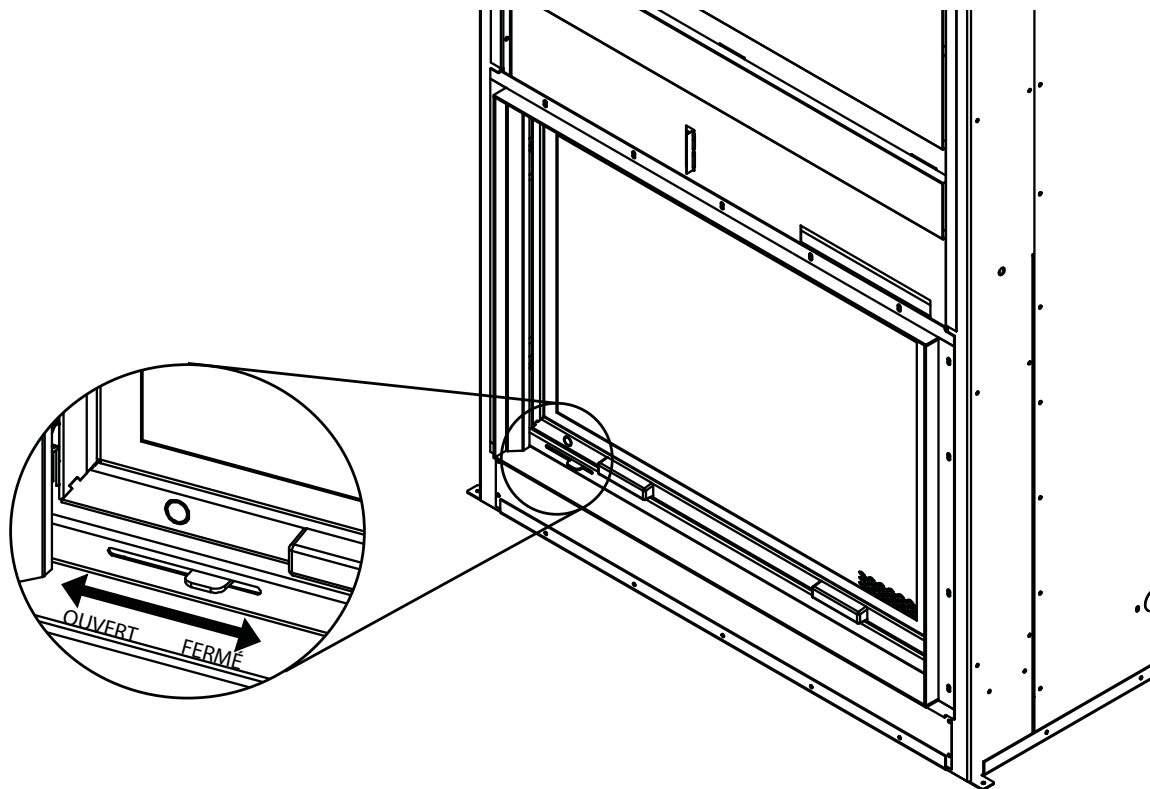
3.2 extincteurs et détecteurs de fumée

Toutes les maisons possédant un appareil à combustible solide devraient posséder au moins un extincteur d'incendie dans un emplacement central connu de tous et au moins un détecteur de fumée et détecteur monoxyde de carbone placé dans la pièce où l'appareil est situé. Si l'alarme se déclenche, corrigez la cause mais ne désactivez pas, ou ne relocalisez pas le détecteur de fumée. Si le détecteur de monoxyde de carbone sonne l'alarme, déplacer immédiatement à une région qui a l'air frais et appeler un votre service d'incendie local.

3.3 air comburant extérieur

! AVERTISSEMENT

- La prise d'air extérieur doit demeurer exempte de feuilles, de débris, de glace et de neige. Elle doit demeurer libre de toute obstruction pendant que l'appareil est en marche pour prévenir tout manque d'air dans la pièce, ce qui peut entraîner un refoulement de fumée et une incapacité à maintenir un feu. Un refoulement de fumée peut aussi déclencher les avertisseurs de fumée.



Le contrôle d'air de combustion extérieur est situé sous l'écran. Avant d'allumer l'appareil, ouvrez le contrôle d'air de combustion extérieur en déplaçant le levier vers la gauche.

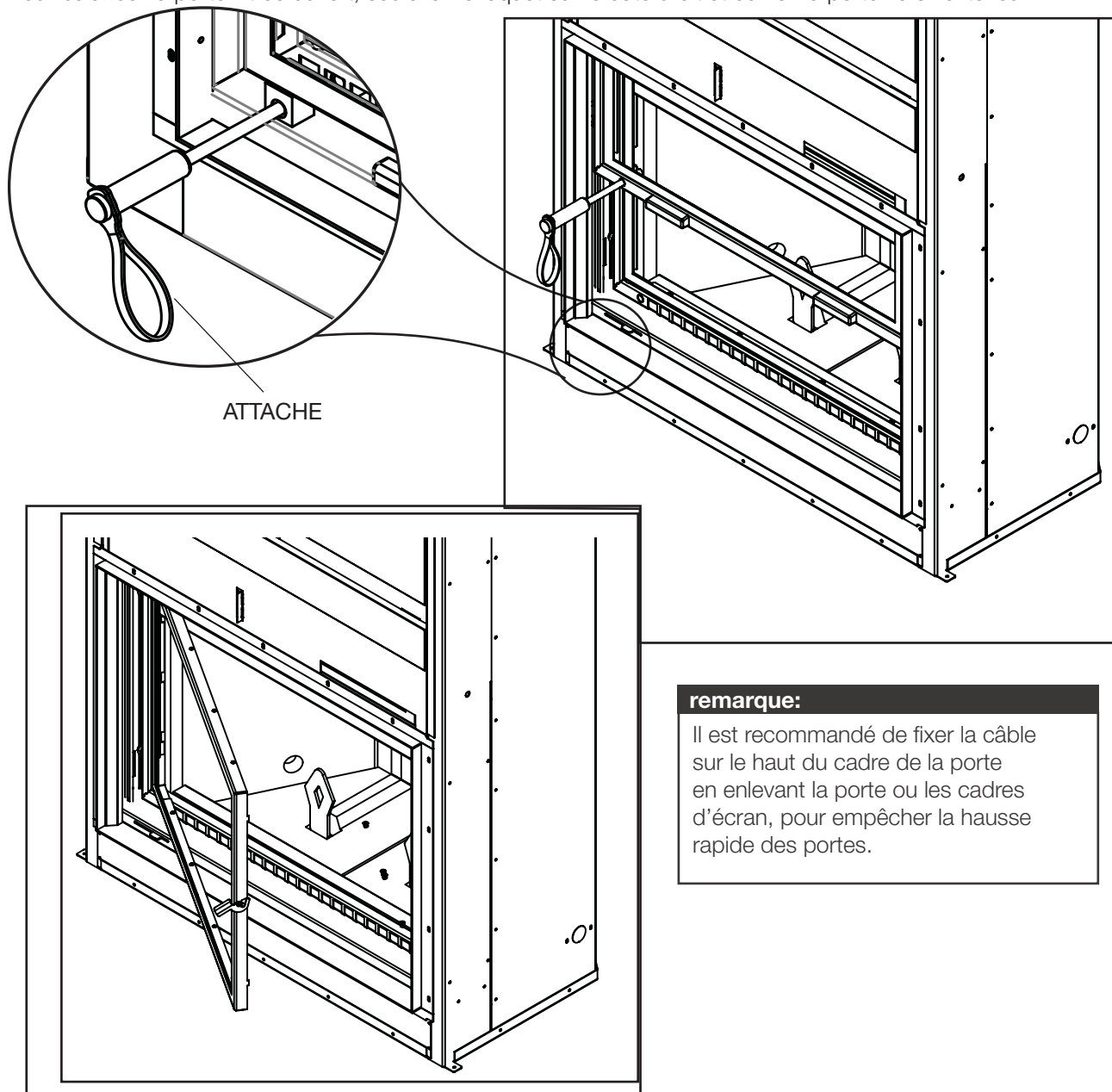
fonctionnement

3.4 opération de la porte et l'écran

! AVERTISSEMENT

- Utilisez uniquement un matériau incombustible pour la finition de la façade de l'appareil. Un matériau incombustible tel un panneau de ciment est requis à cette fin.
- Des ouvertures de ventilation sont requises pour toutes les enceintes.
- Au-delà de 73 3/8" (186,3cm) des matériaux de finition combustibles peuvent être utilisés en façade.
- N'isolez pas le contour de l'appareil.

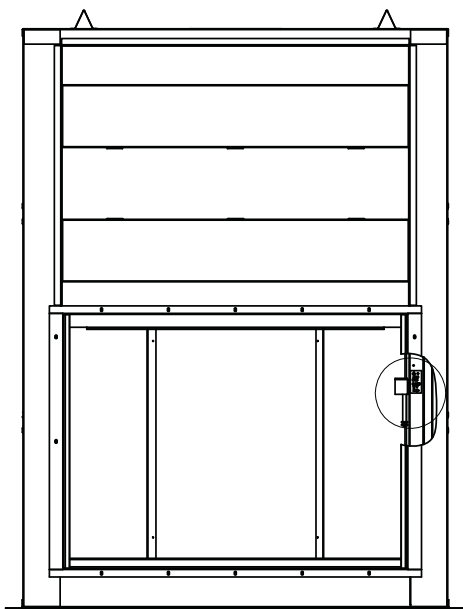
Insérez la poignée dans le récepteur de l'écran et la porte vitrée dans le coin inférieur gauche pour soulever et abaisser la porte. Lorsqu'elle n'est pas en cours d'utilisation, accrocher la poignée sur le plateau d'outil. Pour balancer la porte vitrée ouvert, soulevez le loquet sur le côté droit et ouvrez la porte vers l'extérieur.



remarque:

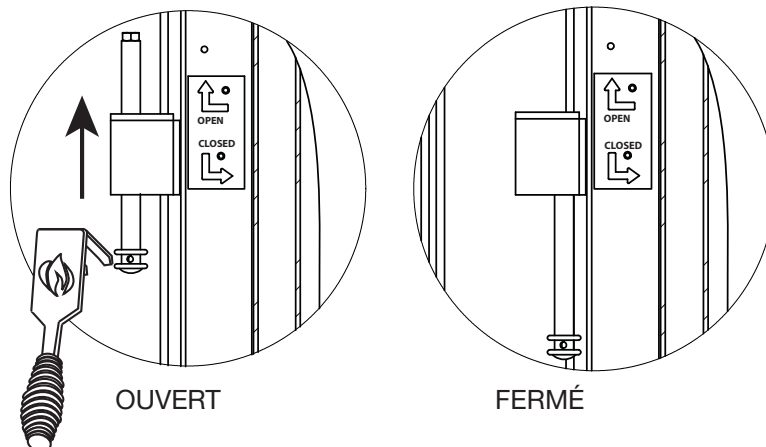
Si les portes n'ouvrent ou ne ferment pas doucement et ne demeurent pas en position, reportez-vous à la section « Réglage du contrepoids » du manuel d'instructions.

3.5 opération amortisseur



Pour fermer le registre, tirez la tige de commande de l'amortisseur vers le bas et poussez-le vers la droite. Pour ouvrir le registre, pousser la tige de commande de l'amortisseur sur le côté gauche et la libéré.

NOTE : Le registre doit être en position "OUVERT" lors de la combustion.



remarque:

Si le registre devient non fileté, il restera situé dans la position "OUVERT".

remarque:

Si le registre se dévise, il demeurera en position « ouverte ».

remarque:

Si le registre ne fonctionne pas correctement, ne procédez pas à l'installation de la cheminée.

fonctionnement

3.6 allumer le feu (l'amortisseur ouvert)

⚠ AVERTISSEMENT

- Faites toujours fonctionner cet appareil avec la porte fermée et verrouillée sauf durant l'allumage et le ravitaillement ou lorsque vous utilisez le pare-étincelles. Portez toujours des gants pour prévenir les blessures.
- Ne laissez jamais les enfants sans surveillance lorsqu'un feu brûle dans l'appareil.
- N'utilisez jamais d'essence, de combustible à lanterne, de kérosène, d'essence à briquet ou d'autres liquides pour allumer ou raviver un feu dans cet appareil. Gardez tous ces liquides écartés de l'appareil.
- Cet appareil a été testé avec un ensemble de bûches à gaz ventilées ou non ventilées. Consultez les instructions d'installation du fabricant pour une installation propre.
- Ne faites pas de feu trop près de la vitre de la porte. Ne poussez pas et ne remuez pas les bûches pendant qu'elles brûlent. Utilisez seulement des bûches qui ont été approuvées pour une utilisation dans un foyer et lisez les avertissements et mentions de sécurité sur l'emballage avant de les utiliser.

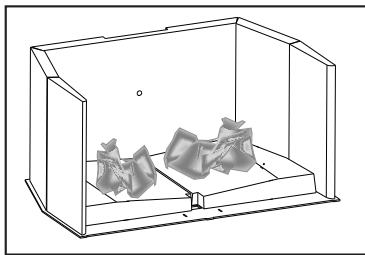
Supprimer toutes les sources d'essence ou autres vapeurs et liquides dans le voisinage de cet appareil ou autres appareils avant éclairage.

Enlevez tous les contenants d'essence ou autres liquides et vapeurs inflammables placés à proximité de cet appareil ou tout autre appareil avant de l'allumer.

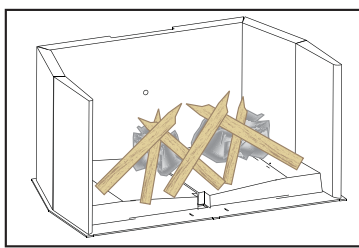
Utilisez beaucoup de papier journal et de bois d'allumage pour vous assurer que l'appareil atteigne une température adéquate. Lorsque le bois d'allumage est enflammé, ajoutez quelques morceaux de bois plus gros sur le feu.

conseil:

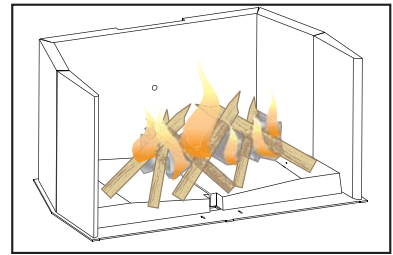
Lorsque vous allumez un feu, si la fumée n'est pas rapidement tirée dans la cheminée, il se peut qu'il y ait un tirage descendant ou de l'air froid dans la cheminée. En brûlant d'abord une bonne quantité de papier journal, la cheminée se réchauffera et la fumée sera rapidement attirée par la cheminée.



A. À l'allumage, un feu vif est requis. Roulez du papier journal; allumez-le et approchez-le de la buse de l'appareil jusqu'à ce que la cheminée commence à tirer.



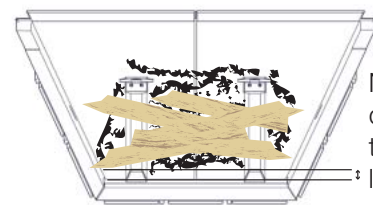
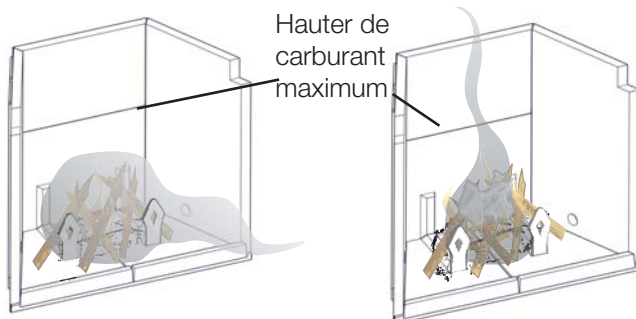
B. Couvrez de bois d'allumage.



C. Allumez le papier et lorsque le feu brûle ajoutez plus de combustible.

Le tirage est la force qui déplace l'air de l'appareil vers le haut, dans la cheminée. La force de tirage de votre cheminée dépend de sa hauteur, de la géographie locale, des obstructions avoisinantes et d'autres facteurs.

Un tirage inadéquat peut causer des refoulements de fumée dans la pièce ainsi que des blocages de cheminée. Un tirage trop grand provoquera des températures excessives dans l'appareil, des composants qui rougeoient ou une combustion incontrôlable qui peut causer un feu de cheminée ou des dommages permanents à l'appareil.



Ne chargez pas de combustible trop près de l'arrière de la chambre de combustion.

- Charge de carburant maximum 35lbs (de 16 kg).
- Hauteur de carburant maximum, à mi-chemin ou en haut de la première brique réfractaire.

3.7 fumée

Un appareil installé convenablement ne devrait pas fumer. Si le vôtre fume, vérifiez les points suivants :

- Est-ce que la cheminée a pu se réchauffer suffisamment?
- Est-ce que le passage de la fumée est bloqué soit dans la cheminée, soit dans le conduit de raccordement, soit dans l'appareil?
- Est-ce que la pièce est trop hermétique et que la prise d'air comburant n'est pas raccordée sur l'extérieur? Essayez avec une fenêtre partiellement ouverte.
- Est-ce que le flot de fumée est restreint par un tuyau horizontal trop long ou par un trop grand nombre de coudes?
- S'agit-il d'un tirage faible causé par une cheminée non hermétique, une cheminée extérieure froide, un diamètre de cheminée trop grand, une cheminée trop courte ou trop près des arbres ou d'un toit plus élevé?
- Est la teneur en humidité du bois supérieure à 20%?

remarque:

La durée de combustion totale peut diminuer en fonction de la hauteur et du tirage de chaque cheminée.

NE SURCHAUFFEZ PAS L'APPAREIL! Il peut y avoir une surchauffe lorsqu'une grande quantité de petits morceaux de bois est brûlée ou lorsque de grosses charges de bois sont brûlées pendant une période prolongée (une à deux heures).

3.8 ravitaillement de l'appareil

AVERTISSEMENT

- Brûler du bois vert ou humide peut causer des accumulations excessives de créosote. Lorsqu'allumée, cette dernière peut causer un feu de cheminée et un incendie grave pourrait s'ensuivre

Lorsque vous rechargez l'appareil, ouvrez la porte lentement afin d'éviter les déversements de fumée. Lorsque vous alimentez le feu, utilisez de longs gants protecteurs. Gardez une petite pelle en acier à proximité; elle peut être utilisée comme tisonnier ou pour enlever les cendres. N'entreposez pas le bois à moins de quatre pieds (1,2m) de l'appareil.

3.9 ensemble de bûches à gaz

AVERTISSEMENT

- Seuls les ensembles de bûches à gaz non ventilés qui s'avèrent conformes à la norme pour les appareils de chauffage non ventilés, ANSI/IAS/AGA Z21.11.2, peuvent être utilisés dans cet appareil.
- N'utilisez pas un ensemble de bûches à gaz non ventilé dans cet appareil si la cheminée n'est pas en place.

Respectez les instructions d'utilisation du fabricant pour l'utilisation des ensembles de bûches à gaz.

Lorsqu'un ensemble de bûches à gaz non ventilé est installé, assurez-vous que le registre de tirage est en position fermée avant chaque utilisation.

Lorsqu'un ensemble de bûches à gaz ventilé est installé, assurez-vous que le registre de tirage est en position ouverte avant chaque utilisation.

4.0 entretien

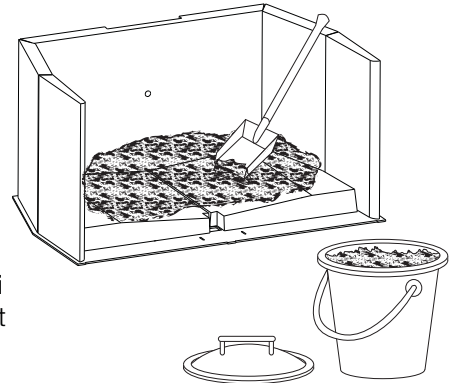
4.1 enlèvement des cendres

! AVERTISSEMENT

- Une mise au rebut inadéquate des cendres cause des incendies. Ne jetez pas les cendres dans les boîtes des cartons, dans la cour arrière et ne pas dans le garage.
- Si vous utilisez un aspirateur pour ramasser des cendres assurez-vous que les cendres sont complètement refroidies. Si vous utilisez un aspirateur pour ramasser des cendres chaudes, cela risque de produire un feu à l'intérieur de l'aspirateur.

Laissez les cendres s'accumuler sur une épaisseur d'environ 1" (25mm) sur le plancher de la chambre de combustion pour aider à conserver un lit de braises chaudes. Une fois que le feu s'est éteint et que les cendres se sont refroidies, enlevez toutes les cendres excédentaires. Pour enlever les cendres, suivez les directives ci-dessous.

1. Une fois que le dernier morceau de charbon s'est éteint, laissez l'appareil se refroidir au moins deux heures.
2. Ouvrez les portes de l'appareil.
3. Pelletez les cendres de l'appareil dans un contenant de métal muni d'un couvercle étanche. Fermez le couvercle, éloignez le contenant de l'appareil, déposez-le sur une surface incombustible appropriée et laissez les cendres refroidir.
4. Jetez les cendres.



remarque:

Placez les cendres dans un contenant métallique à couvercle étanche. Posez le contenant fermé sur une surface incombustible ou sur le sol, loin de toute matière combustible, en attendant l'élimination finale des cendres. Si les cendres sont destinées à être enterrées ou dispersées autrement localement, elles devraient demeurer dans le contenant métallique fermé jusqu'à ce qu'elles aient complètement refroidi.

4.2 formation et enlèvement de la crésote

Lorsque le bois brûle lentement, il produit du goudron et autres vapeurs organiques qui, se combinant à la vapeur d'eau évacuée, forment la crésote. Ces vapeurs se condensent dans le conduit relativement froid de la cheminée d'un appareil brûlant lentement. Par conséquent, le résidu de crésote s'accumule sur dans le conduit. Lorsqu'elle prend feu, la crésote produit un feu extrêmement chaud.

Inspectez votre cheminée pour des accumulations de crésote chaque deux mois pendant le saison de chauffage pour déterminer si une accumulation de crésote à former.

Si l'accumulation est excessive nettoyez la cheminée pour réduire une feu du cheminée.

4.3 feu de cheminée ou feu hors contrôle

! AVERTISSEMENT

Un feu de cheminée peut endommager votre cheminée de façon permanente. Pour réparer ces dommages, vous devrez remplacer les composants endommagés les feux de cheminée ne sont pas couverts par la garantie à vie limitée.

CAUSES:

- L'utilisation d'un combustible inapproprié ou de morceaux de bois trop petits qui, normalement, auraient été utilisés comme bois d'allumage.
- Une accumulation de crésote dans la cheminée

SOLUTIONS:

- Ne brûlez pas de bois traité, peints, artificielles, transformé ou de papiers, de charbon, de charbon de bois, de papier de couleur ou de carton.
- Faites nettoyer la cheminée régulièrement.

EN CAS DE FEU DE CHEMINÉE :

- Ayez un plan d'évacuation bien compris de tous et désignez un lieu de rassemblement à l'extérieur. Préparez-vous à évacuer les lieux pour assurer la sécurité de chacun.
- Fermez la porte vitrée.
- Appelez votre service d'incendie. Ayez un extincteur sous la main. Contactez les autorités locales pour savoir quoi faire en cas de feu de cheminée.
- Après que le feu de cheminée est éteint et avant d'allumer un autre feu, nettoyez et inspectez la cheminée pour des signes de détérioration ou des fissures. Vérifiez également les matériaux combustibles autour de la cheminée et du toit.

4.4 nettoyage de la cheminée

La cheminée et l'appareil doivent être inspectés et nettoyés s'il y a lieu au moins une fois l'an. En cas d'utilisation fréquente du chauffage au bois, le nettoyage de la cheminée doit être fait au besoin pour éviter des feux de cheminée. Les systèmes d'évacuation des appareils à combustion contrôlée peuvent nécessiter un nettoyage aussi fréquent qu'une fois par mois. Cependant, cette fréquence dépend des habitudes de chauffage de la personne qui utilise l'appareil. À titre d'exemple, il est possible d'obstruer la cheminée d'un appareil à combustible solide en quelques jours si l'appareil brûle lentement et que la cheminée est froide.

Lors du nettoyage de la cheminée, certains éléments doivent être considérés :

- Les outils appropriés doivent être utilisés, incluant une brosse spécialement conçue pour le ramonage de la cheminée.
- Les conduits de raccordement, le registre et la cheminée doivent être nettoyés.
- La chambre de combustion et les déflecteurs doivent être nettoyés au besoin.
- La cheminée doit être inspectée et réparée au besoin, de préférence par un ramoneur ou un maçon qualifié.

4.5 soin de vitre

⚠ AVERTISSEMENT

- Ne pas nettoyer la vitre lorsqu'elle est chaude! N'employez pas de détergents abrasifs pour nettoyer la vitre.

Si vous ne nettoyez pas les dépôts régulièrement, la vitre risque de rester marquée en permanence. Normalement, un feu très chaud maintiendra la vitre propre. Les raisons les plus fréquentes pour lesquelles la vitre se salit sont : trop peu de combustible est utilisé pour réchauffer suffisamment l'appareil, l'utilisation de bois vert ou humide, le contrôle de combustion est trop fermé, créant une insuffisance d'air pour réaliser une combustion complète.

⚠ AVERTISSEMENT

LA VITRE CHAUDE CAUSERA DES BRÛLURES.

NE PAS TOUCHER LA VITRE AVANT QU'ELLE AIT REFROIDI.

NE JAMAIS LAISSER LES ENFANTS TOUCHER LA VITRE.



S'il est nécessaire de nettoyer la vitre, utilisez un linge doux avec un nettoyeur sans abrasif. Nettoyez la vitre avec un nettoyeur recommandé après les dix premières heures de fonctionnement. Par la suite, nettoyez aussi souvent qu'il le faudra.

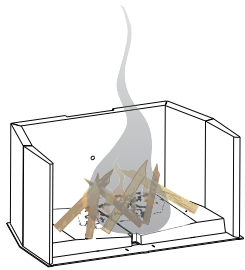
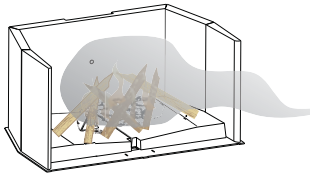
La vitre est très résistante, mais ne laissez pas de bois en combustion s'appuyer contre elle. Fermez toujours la porte doucement. **NE FORCEZ JAMAIS POUR LA FERMER!**

Ne pas faire fonctionner l'appareil avec la verre brisé, les fuites de gaz de combustion peut résulter.

Contactez votre détaillant local autorisé pour les instructions de nettoyage complètes.

Si la vitre devait fissurer pendant que le feu brûle, n'ouvrez pas la porte jusqu'à ce que le feu s'éteigne et n'utilisez pas l'appareil jusqu'à ce que la vitre ait été remplacée par une nouvelle, disponible chez votre détaillant autorisé. **N'UTILISEZ PAS DE MATÉRIAUX SUBSTITUTS.**

SYMPTÔME	PROBLÈME	SOLUTIONS
De la fumée se répand dans la pièce durant l'allumage.	Fermé registre d'air	- Registre d'air ouvert
	Blocage d'air froid dans la cheminée.	- Brûlez un morceau de papier journal pour créer un tirage.
	Les portes sont fermées.	- Si le feu ne reçoit pas suffisamment d'air, assurez-vous d'abord que le levier du contrôle de combustion est ouvert. Si plus d'air est nécessaire, ouvrez les portes légèrement, l'équivalent d'une petite fente seulement.
De la fumée se répand dans la pièce lors du rechargement	Fermé registre d'air	- Nettoyage cheminée
	Tirage insuffisant.	- La hauteur de la cheminée et les conditions extérieures peuvent nuire au tirage. Dans ces cas, il est possible qu'une petite quantité de fumée puisse refouler dans la maison. Augmenter la hauteur de la cheminée ou ajouter un chapeau à tirage induit peut aider. - Nettoyez la cheminée.
L'appareil fume.	Fermé registre d'air	- Registre d'air ouvert
	Cheminée froide	- Graver un morceau de papier pour établir un projet, alimenter nécessaires pour établir une flamme chaude.
	Offre insuffisante d'air de combustion	- Hauteur de la cheminée et en dehors de conditions peuvent nuire au tirage. Dans ces cas, une petite quantité de fumée peut entrer dans la maison. Ajout de plus de tuyau ou un chapeau à tirage induit peut aider.
	Le registre d'air extérieur ouvert.	- Fermer amortisseur.
	Le passage de fumée est bloqué dans l'appareil ou de la cheminée.	- Vérifiez cheminée pour blocage et claire si nécessaire.
	Le débit de fumée entravée par une trop longue d'un tuyau horizontal ou trop de coudes.	- Reporter à la section « INSTALLATION TYPIQUE DE LA CHEMINÉE » pour les coudes de cheminée propres à.
	Un tirage faible causé par une cheminée non hermétique, une cheminée extérieure froide, trop court d'une cheminée ou une cheminée trop près d'un arbre ou un toit plus élevé.	- Hauteur de la cheminée et en dehors de conditions peuvent nuire au tirage. Dans ces cas, une petite quantité de fumée peut entrer dans la maison. Ajout de plus de tuyau ou un chapeau à tirage induit peut aider. Reporter à la section « INSTALLATION TYPIQUE DE LA CHEMINÉE » pour les coudes de cheminée propres à.
La porte vitrée ou le pare-étincelles ne reste pas en place.	La porte s'ouvre lentement.	Ajoutez un poids de réglage à la porte.
	La porte se ferme lentement.	Enlevez le poids de réglage de la porte.
La porte vitrée ou le pare-étincelles n'est pas au niveau.	Le coin de la porte est surélevé lorsqu'elle est fermée.	Reportez-vous à la section « réglage de la porte » du manuel d'installation.



Les produits NAPOLÉON sont fabriqués conformément aux normes strictes du Certificat d'Assurance de Qualité ISO 9001 : 2008 mondialement reconnu.

Les produits NAPOLÉON sont conçus avec des composants et des matériaux de qualité supérieure, assemblés par des artisans qualifiés qui sont fiers de leur travail. Une fois assemblé, chaque appareil est soigneusement inspecté par un technicien qualifié avant d'être emballé pour garantir que vous, le client, recevez le produit de qualité dont vous vous attendez de NAPOLÉON.

GARANTIE À VIE LIMITÉE DU PRÉSIDENT DES APPAREILS À BOIS NAPOLÉON

Les matériaux suivants et la fabrication de votre nouveau poêle à bois NAPOLÉON sont garantis contre les défauts tant que vous en êtes le propriétaire. Ceci couvre : la chambre de combustion, l'échangeur de chaleur, la vitre en céramique (cassure thermique seulement), les pièces plaquées or contre le ternissement, les composants en porcelaine émaillée, les moulures d'extrusion en aluminium, déflecteurs vortex, le tiroir à cendres et les pièces moulées en fonte.

Les composants électriques (110V) et les pièces soumises à l'usure sont couverts et NAPOLÉON fournira gratuitement les pièces de rechange durant la première année de la garantie limitée. Ceci couvert: la soufflerie, l'interrupteur thermique, les interrupteurs, l'installation électrique, les briques réfractaires, l'attache du déflecteur en acier inoxydable, tuyaux d'air secondaires et les joints d'étanchéité.

Les coûts de main-d'oeuvre relatifs aux réparations garanties sont couverts gratuitement durant la première année.

Cependant, les travaux de réparation nécessitent l'approbation préalable d'un représentant autorisé de la compagnie. Les coûts de main-d'oeuvre à la charge de NAPOLÉON sont basés sur un programme de tarifs prédéterminés et tout travail de réparation doit être accompli par l'entremise d'un détaillant autorisé NAPOLÉON.

Si l'appareil est équipé avec une système d'écran/porte guillotine, les composants qui constituent la système d'écran/porte seront couverts pour 5 années et les coûts de main-d'oeuvre seront couverts pour trois années conformément à cette garantie.

Les pièces telles que les briques réfractaires et les déflecteurs devraient être retirées occasionnellement par l'opérateur dans le cadre d'un entretien normal. Par conséquent, les coûts de main-d'oeuvre associés au remplacement de l'une de ces pièces ne sont pas couverts par la garantie.

* La fabrication de chaque modèle varie. La garantie s'applique uniquement aux composants disponibles avec votre appareil.

CONDITIONS ET LIMITATIONS

NAPOLÉON garantit ses produits contre les défauts de fabrication à l'acheteur d'origine seulement. L'enregistrement de la garantie n'est pas nécessaire. Fournissez simplement une preuve d'achat ainsi que le modèle et le numéro de série afin d'effectuer une réclamation de garantie. L'achat doit avoir été fait par l'entremise d'un détaillant NAPOLÉON autorisé et sous réserve des conditions et limitations suivantes :

La couverture de la garantie débute à partir de la date d'installation originale.

Cette garantie du fabricant n'est pas transférable et ne peut être prolongée ou étendue par aucun de nos représentants quelle qu'en soit la raison.

L'appareil à bois doit être installé par un installateur ou un entrepreneur qualifié. L'installation doit être faite conformément aux instructions d'installation incluses avec le produit et à tous les codes d'incendie et de construction locaux et nationaux.

Les produits approuvés par l'EPA, où le carburant incorrect est utilisé, annulera la garantie.

Cette garantie limitée ne couvre pas les dommages causés par un mauvais usage, un manque d'entretien, un accident, des altérations, des abus ou de la négligence, et l'installation de pièces d'autres fabricants annulera cette garantie.

Cette garantie limitée ne couvre pas les égratignures, le bossellement, la corrosion ou la décoloration causée par une chaleur excessive, des produits d'entretien chimiques et abrasifs ou l'écaillage des pièces en porcelaine émaillée, le bris de tout composant de ventilation utilisé dans l'installation de l'appareil.

Au cours de la première année seulement, cette garantie s'étend à la réparation ou au remplacement des pièces garanties dont les matériaux ou la fabrication sont défectueux sous condition que le produit ait été utilisé conformément aux instructions de fonctionnement et dans des conditions normales.

Après la première année, concernant cette Garantie à Vie Limitée du Président, NAPOLÉON peut, à sa discrétion, se libérer entièrement de toutes obligations en ce qui concerne cette garantie en remboursant à l'acheteur d'origine le prix de gros de toute pièce garantie qui est défectueuse.

Après la première année, NAPOLÉON ne sera pas responsable de l'installation, de la main-d'oeuvre ou autres coûts ou dépenses relatives à la réinstallation d'une pièce garantie et de telles dépenses ne sont pas couvertes par cette garantie.

Nonobstant toutes les dispositions contenues dans cette Garantie à Vie Limitée du Président, la responsabilité de NAPOLÉON sous cette garantie est définie comme ci-dessus et elle ne s'étendra à aucun dommage accidentel consécutif ou indirect.

Cette garantie définit l'obligation et la responsabilité de NAPOLÉON en ce qui concerne l'appareil à bois NAPOLÉON. Toute autre garantie énoncée ou implicite en ce qui concerne ce produit, ses composants ou accessoires est exclue.

NAPOLÉON n'endosse ni n'autorise aucun tiers à assumer en son nom toute autre responsabilité concernant la vente de ce produit. NAPOLÉON ne sera pas responsable d'une surchauffe, des refoulements, des déversements causés par des conditions environnementales telles que des toits, des bâtiments, la proximité d'arbres, de collines, de montagnes, une ventilation ou des événements inadéquats, des configurations d'évacuation excessives, un apport d'air insuffisant ou des pressions négatives qui peuvent ou non être causés par des systèmes mécaniques tels que les ventilateurs d'évacuation, les fournaises, les sèche-linge, etc.

Tout dommage causé à l'appareil, à la chambre de combustion, à l'échangeur de chaleur, aux garnitures plaquées ou autres composants par l'eau, les dommages causés par les intempéries, de longues périodes d'humidité, la condensation, des produits chimiques ou produits d'entretien nuisibles ne seront pas la responsabilité de NAPOLÉON.

NAPOLÉON se réserve le droit de demander à son représentant d'inspecter tout produit ou pièce avant d'honorer toute réclamation.

Toutes les pièces remplacées en vertu de la politique de Garantie à vie limitée du Président ne peuvent faire l'objet que d'une seule réclamation.

Durant les dix premières années, NAPOLÉON remplacera ou réparera les pièces défectueuses qui sont couvertes par la garantie à vie limitée à sa discrétion gratuitement. Après les dix premières années, NAPOLÉON fournira les pièces de rechange à 50 % du prix de détail courant.

Toutes les pièces remplacées au titre de la garantie seront couvertes pour une période de 90 jours à partir de leur date d'installation.

Le fabricant peut exiger que les pièces défectueuses ou les produits soient retournés ou que des photos numériques soient fournies pour valider la réclamation. Les produits retournés doivent être expédiés port payé au fabricant pour une inspection en usine. Si un produit est déclaré défectueux, le fabricant le réparera ou le remplacera.

Avant d'expédier votre appareil ou les pièces défectueuses, votre détaillant doit obtenir un numéro d'autorisation. Toute marchandise expédiée à notre usine sans autorisation sera refusée et retournée à l'expéditeur.

Les coûts d'expédition ne sont pas couverts par cette garantie.

Des frais de service supplémentaires peuvent être appliqués si vous cherchez à obtenir des services au titre de la garantie auprès d'un détaillant.

Les indemnités de main-d'oeuvre au titre de la garantie s'appliquent uniquement pour le remplacement d'une pièce garantie. Les frais de déplacement, de tests de diagnostic, d'expédition et autres frais afférents ne sont pas couverts par cette garantie.

TOUTES LES SPÉCIFICATIONS ET LES CONCEPTIONS SONT SUJETTES À MODIFICATIONS SANS PRÉAVIS EN RAISON DES AMÉLIORATIONS CONSTANTES APPORTÉES AU PRODUIT. NAPOLÉON EST UNE MARQUE DE COMMERCE DÉPOSÉE DE WOLF STEEL LTÉE.

7.0 historique d'entretien

Historique d'entretien de l'appareil

Cet appareil doit être entretenu annuellement selon son usage.

Date	Détaillant	Nom du technicien	Travail effectué	Problèmes particuliers

Historique d'entretien de l'appareil

Cet appareil doit être entretenu annuellement selon son usage.

Date	Détaillant	Nom du technicien	Travail effectué	Problèmes particuliers

Autres produits Napoleon



Foyers encastrés • Grils au charbon de bois • Foyers au gaz • Cascades d'eau
Poêles à bois • Produits HVAC • Foyers électriques • Foyers extérieurs • Grils à gaz de qualité



7200, Route Transcanadienne, Montréal, Québec H4T 1A3
24 Napoleon Road, Barrie, Ontario, Canada L4M 0G8
214 Bayview Drive, Barrie, Ontario, Canada L4N 4Y8
103 Miller Drive, Crittenden, Kentucky, USA 41030

Foyers / Chauffage et Climatisation / Grils composez : 514-737-6294
napoleonproducts.com