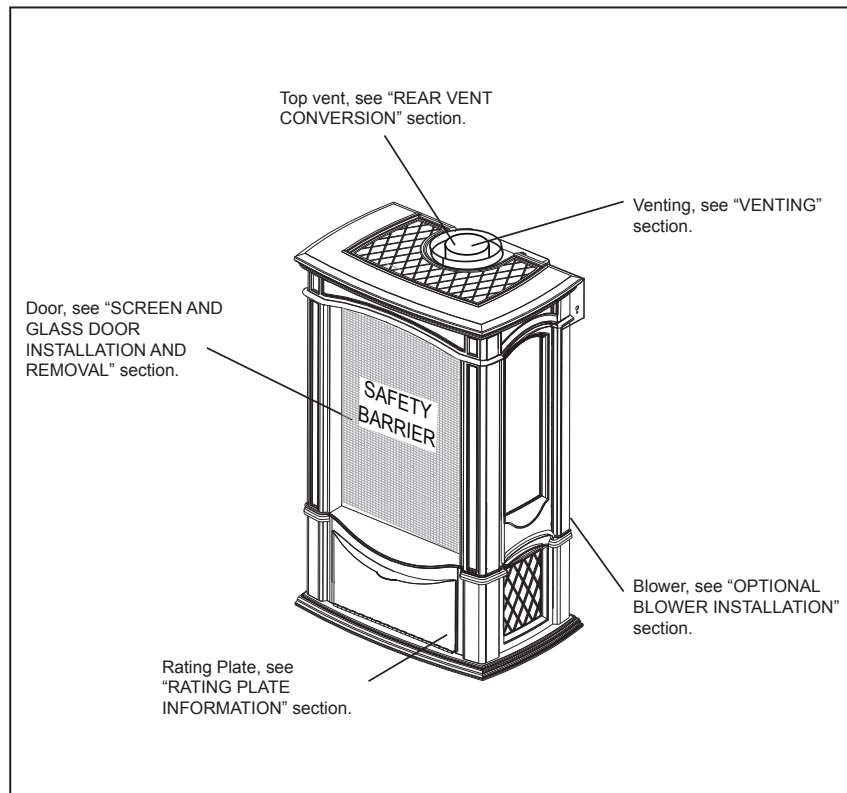


CASTLEMORE™ DIRECT VENT GAS STOVE

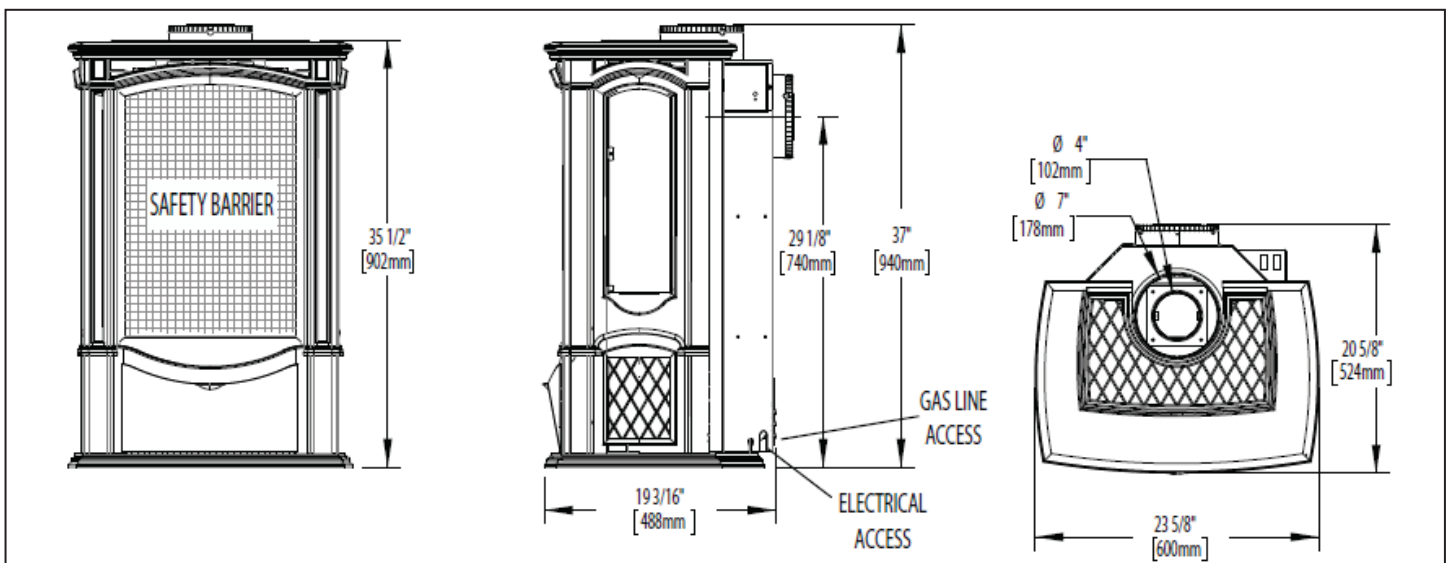
Specifications

Model	BTU	Width	Height	Depth	Glass
GDS26	25,000	23 5/8	37	20 5/8	24 X 16 5/8

Overview



Dimensions



CASTLEMORE™ DIRECT VENT GAS STOVE

Clearances

Minimum Clearance To Combustibles

Minimum clearance to combustible construction from appliance and vent surfaces:

A	-	2" (51mm)
B	-	5" (127mm)
C	-	2" (51mm)

Combustible Framing:

- 1" (25mm) to bottom and sides of the vent pipe*
- 2" (51mm) to top of the vent pipe*

NOTE: Appliance should not be installed directly on carpeting.

Rear Exit:

- 47 1/2" (1207mm) to ceiling from base of the appliance

Top Exit:

- 51" (1295mm) to ceiling from base of the appliance**

*** HORIZONTAL VENT SECTIONS:**

A minimum clearance of 1" (25mm) at the bottom and sides and 2" (51mm) at the top of the vent pipe in all horizontal runs to combustibles is required. Use firestop spacer W010-1313 and shield W585-0240 (supplied).

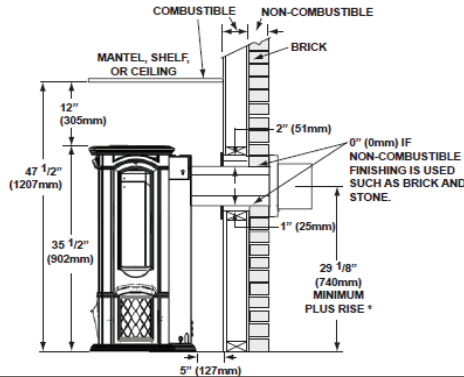
*** VERTICAL VENT SECTIONS:**

A minimum of 1" (25mm) all around the vent pipe on all vertical runs to combustibles is required. Use firestop spacer W010-1313 (supplied).

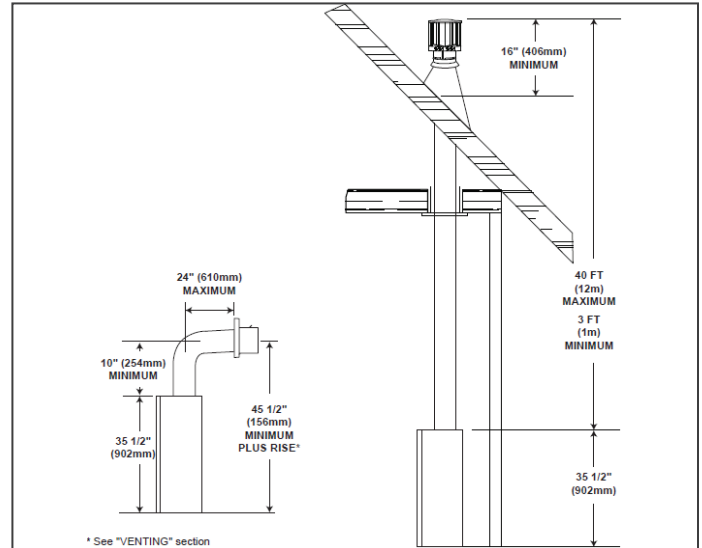
** For top vent vertical termination, see "REAR EXIT" for specific clearances.

At a distance of 2" (51mm) from the wall, installation or service to the blower may not be practical. A minimum of 5" (127mm) will be required in order to install or service the blower.

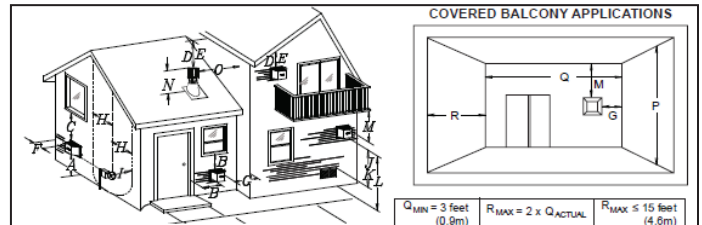
REAR EXIT



Minimum Vertical Vent Rise



Minimum Air Terminal Location Clearances



Vent Flow Chart

TOP EXIT			
Horizontal Termination		Vertical Termination	
Vertical rise is equal to or greater than the horizontal run	Vertical rise is less than horizontal run	Vertical rise is equal to or greater than the horizontal run	Vertical rise is less than horizontal run
Horizontal run + vertical rise to maximum of 40 feet (12m)	Horizontal run + vertical rise to maximum of 24.75 feet (7.5m)	Horizontal run + vertical rise to maximum of 40 feet (12m)	Horizontal run + vertical rise to maximum of 40 feet (12m)
	4.2 times the vertical rise equal to or greater than the horizontal run		3 times the vertical rise equal to or greater than the horizontal run

REAR EXIT			
Horizontal Termination		Vertical Termination	
Vertical rise is equal to or greater than the horizontal run	Vertical rise is less than horizontal run	Vertical rise is equal to or greater than the horizontal run	Vertical rise is less than horizontal run
Horizontal run + vertical rise to maximum of 40 feet (12m)	Horizontal run + vertical rise to maximum of 24.75 feet (7.5m)	Horizontal run + vertical rise to maximum of 40 feet (12m)	Horizontal run + vertical rise to maximum of 40 feet (12m)
	3.5 times the vertical rise equal to or greater than the horizontal run		3 times the vertical rise equal to or greater than the horizontal run

Product information provided is not complete and is subject to change without notice. Please consult the installation manual for the most up to date installation information.

INSTALLATIONS		
CANADA	U.S.A.	
A 12" (304.8mm)	12" (304.8mm)	Clearance above grade, veranda porch, deck or balcony.
B 12" (304.8mm)†	9" (228.6mm)‡	Clearance to windows or doors that open.
C 12" (304.8mm)†	12" (304.8mm)†	Clearance to permanently closed windows.
D 18" (457.2mm)**	18" (457.2mm)**	Vertical clearance to ventilated soffits located above the terminal within a horizontal distance of 2' (50.8mm) from the centerline of the terminal.
E 18" (457.2mm)**	18" (457.2mm)**	Clearance to unventilated soffit.
F 0" (0mm)	0" (0mm)	Clearance to an outside corner wall.
G 0" (0mm)***	0" (0mm)***	Clearance to an inside non-combustible corner wall or protruding non-combustible obstructions (chimney, etc.).
2" (50.8mm)***	2" (50.8mm)***	Clearance to an inside combustible corner wall or protruding combustible obstructions (vent chase, etc.).
H 3' (0.9m)	3' (0.9m)****	Clearance to each side of the centerline extended above the meter / regulator assembly to a maximum vertical distance of 15' (4.6m).
I 3' (0.9m)	3' (0.9m)****	Clearance to a service regulator vent outlet.
J 12" (304.8mm)	9" (228.6mm)	Clearance to a non-mechanical air supply inlet to the building or a combustion air inlet to any other appliance.
K 6' (1.8m)	3' (0.9m)†	Clearance to a mechanical air supply inlet.
L 7' (2.1m)‡	7' (2.1m)****	Clearance above a paved sidewalk or paved driveway located on public property.
M 12" (304.8mm)††	12" (304.8mm)****	Clearance under a veranda, porch, deck or balcony.
N 16" (406.4mm)	16" (406.4mm)	Clearance above the roof.
O 2' (0.6m)††	2' (0.6m)††	Clearance from an adjacent wall including neighbouring buildings.
P 8' (2.4m)	8' (2.4m)	Roof must be non-combustible without openings.
Q 3' (0.9m)	3' (0.9m)	See chart for deeper wall dimensions.
R 6' (1.8m)	6' (1.8m)	See chart for deeper wall dimensions. The terminal shall not be installed on any wall that has an opening between the terminal and the open side of the structure.

† In a structure with three walls and a roof, the terminal shall not be located less than 6 feet (1.8m) under a horizontal plane.
 ‡ Recommended to prevent condensation on windows and thermal breakage.
 § It is recommended to use a heat shield and to maximize the distance to vinyl clad soffits.
 ¶ The periscope requires a minimum 19" (482.2mm) clearance from an inside corner.
 ** This is a recommended distance. For additional requirements check local codes.
 †† 3 feet above if within 10 feet (3.1m) horizontally.
 ‡‡ A vent shall not terminate where it may cause hazardous frost or ice accumulations on adjacent property surfaces.
 ††† Permitted only if the veranda, porch, or deck is fully open on a minimum of two sides beneath the floor.
 **** Recommended to prevent recirculation of exhaust products. For additional requirements check local codes.

NOTE: Clearances are in accordance with local installation codes and the requirements of the gas supplier.