

**Regency® Gi33LE
Gas Insert**

**Owners &
Installation Manual**



www.regency-fire.com

MODELS: Gi33LE-NG

Natural Gas

Gi33LE-LP

Propane

⚠ Warning
Fire or explosion Hazard
failure to follow safety warnings exactly could result in serious injury, death, or property damage.

- Do not store or use gasoline or other flammable vapours and liquids in the vicinity of this or any other appliance.

- WHAT TO DO IF YOU SMELL GAS

- Do not try to light any appliance.
- Do not touch any electrical switch: do not use any phone in your building. Leave the building immediately.
- Immediately call your gas supplier from a neighbour's phone. Follow the gas supplier's instructions.
- If you cannot reach your gas supplier, call the fire department.

- Installation and service must be performed by a qualified installer, service agency or the gas supplier.



Certified to/Certifié pour : ANSI Z21.88-2019
CSA 2.33-2019
CSA 2.17-2017


Installer: Please complete the details on the back cover and leave this manual with the homeowner.
Homeowner: Please keep these instructions for future reference.

TO THE NEW OWNER

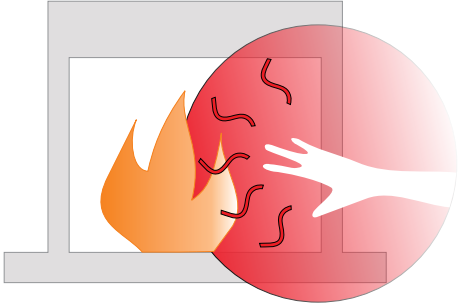
Congratulations! You are the owner of a state-of-the-art gas insert by Regency.

The Regency gas insert series of handcrafted appliances is designed to provide you with all the warmth and charm of a fireplace at the flick of a switch. The Gi33LE is approved by Intertek for safety and efficiency. As it also bears Regency's mark, it promises economy, comfort, and security for many trouble-free years to come.

Please take a moment to acquaint yourself with the instructions in this manual, as well as the many features of your Regency fireplace.



DANGER



**HOT GLASS WILL
CAUSE BURNS**

**DO NOT TOUCH GLASS
UNTIL COOLED**

**NEVER ALLOW CHILDREN
TO TOUCH GLASS**

A barrier designed to reduce the risk of burns from the hot viewing glass is provided with this appliance and must be installed for the protection of children and other at risk individuals.

CAUTION:
HOT WHILE IN OPERATION. DO NOT TOUCH.
SEVERE BURNS MAY RESULT. KEEP CHILDREN, CLOTHING, FURNITURE,
GASOLINE, AND ANY OTHER LIQUIDS WITH FLAMMABLE VAPOURS AWAY.

**KEEP BURNER AND CONTROL COMPARTMENT CLEAN.
SEE INSTALLATION AND OPERATING INSTRUCTIONS ACCOMPANYING
APPLIANCE.**

920-408



**NATIONAL
FIREPLACE
INSTITUTE**
CERTIFIED
www.nficertified.org

We recommend that our products be installed and serviced by professionals who are certified in the U.S. by the National Fireplace Institute® (NFI) or in Canada by Wood Energy Technical Training (WETT).



*Wood Energy
Technical Training*
www.wett.org

This product can be installed in an aftermarket, permanently located manufactured home (USA only), or mobile home where not prohibited by local codes.

This appliance is for use with the type of gas indicated on the rating plate only. This appliance is not convertible for use with other gases unless a certified kit is used.

Dimensions

Unit Dimensions	4
Faceplate Dimensions	5

Owner's Information

Copy of Safety Label.....	6
Know Your Appliance.....	9
Important Message	10
Before You Start.....	10
For Your Safety	10
Specifications.....	10
On/Off Switch	10
Lighting Procedure	11
Cut Off Procedure.....	11
Proflame II Remote Control Operating Instructions.....	15
Remote/Receiver Coding.....	16
Copy of Lighting Plate Instructions	17

Installer's Information

Gas Installation Checklist.....	7
Gas Pressure Testing	18
Installation Into a Solid Fuel Burning Fireplace or Factory Built Fireplace.....	18
Factory-Built (Metal) Wood-Burning Fireplace Requirements	18
General Safety Information	18
Installation Checklist.....	19
Materials Required.....	19
Minimum Fireplace Dimensions.....	19
Electrical Receptacle in a Masonry Fireplace	19
Hardwire Kit Installation	20

Installation

Minimum Fireplace Opening Sizes with Varying Faceplate/Backing Plate Options	25
Minimum Clearances to Combustibles	26
Mantel Clearances Without Mantel Deflector & Mantel Clearances with 3-1/2" Mantel Deflector	27
Using Steel Studs and Concrete Board Over Masonry Brick Fireplace.....	28
Leveling Legs Adjustment	29
Gas Connection.....	30
Vertical Venting	30
Alternate Approved Vertical Termination Caps.....	31
Restrictor Adjustment.....	32
Vertical Venting/Restrictor Settings for NG and LP.....	33
Horizontal Co-Linear Vent Kit (Masonry Fireplaces Only).....	34
Horizontal Exterior Vent Termination Location.....	34
Flue Collar Installation/Removal	35
Air Shutter Adjustment	36
NG System Data.....	37
LP System Data.....	37
High Elevation.....	37
Gas Line Installation.....	37
Pilot Adjustment.....	37
Gas Pipe Pressure Testing	37
885 S.I.T. Valve Description.....	37
Gas Shut Off Procedure	38
Conversion from Natural Gas to Propane	39
Panel Installation	41
Birch & Oak Log Set Installation (Part #311-931 & 311-934).....	44
Driftwood Log Set Installation (Part #311-930/P)	52
Screen Removal	59
Glass Door Removal	60
Faceplate/Finishing Trim Installation	61

Backing Plate Installation.....	62
Mantel Deflector Installation.....	64
Premium Faceplate Surround Installation	65
Traditional Faceplate Surround Install (Part #391-927, 391-928).....	66
Hearth Trim Installation - Trimming to Height.....	67
Hearth Trim Installation - Mounting Hearth Trim	68
Optional Wall Thermostat	69
Thermostat Wire Table.....	69
Supplied Remote Control	69
Final Check.....	69
WIFI Dongle Installation	70
Wiring Diagram.....	72

Operation

Operating Instructions	73
Lighting Procedure	73
Shutdown Procedure	73
First Fire.....	73
Automatic Convection Fan Operation	73
On/Off Switch	73
Normal Operating Sounds of Gas Appliances	74
Flame Pattern	74

Maintenance

Door Glass	75
Glass Replacement.....	75
General Vent Maintenance	75
Log Replacement	75
Glass Gasket.....	75
Fan Replacement.....	76
Valve Replacement.....	77
Light Bulb Replacement	79
Gas Maintenance - Recommended Annual Routine.....	80

Parts

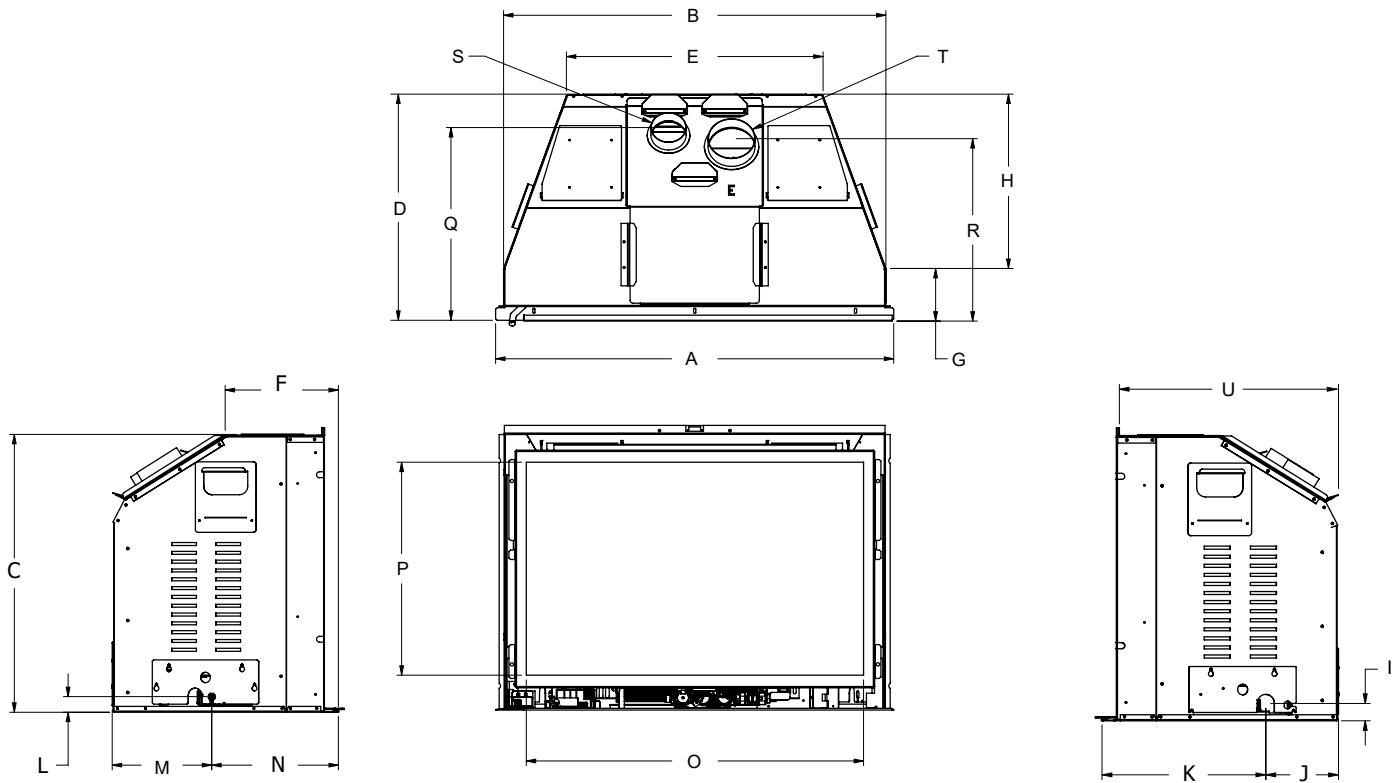
Parts - Main Assembly	81
Faceplates/Accessories	83

Warranty	84
-----------------------	-----------

Recycling	90
------------------------	-----------

dimensions

Unit Dimensions



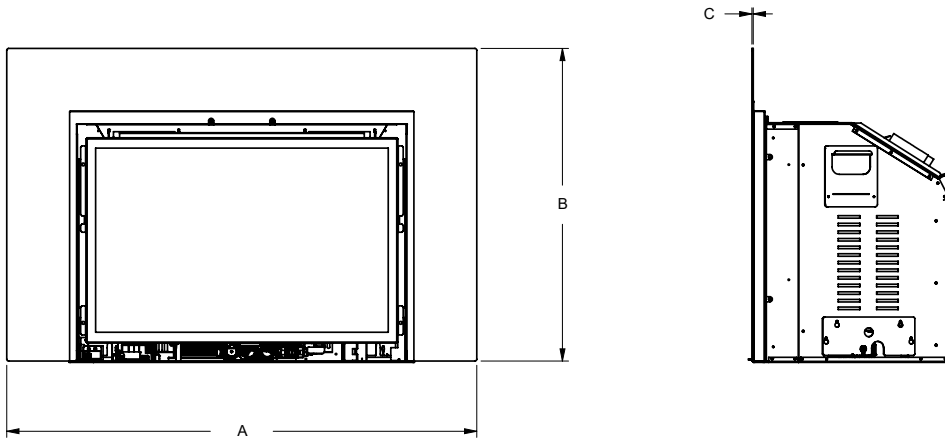
Note: Gas Located on right side of appliance and electrical located on the left hand side of appliance.

Letter	Description	Dimensions (inches)	Dimensions (mm)
A	Width	33-7/8"	860 mm
B	Outerbox Width	32-1/2"	826 mm
C	Outerbox Height	23-5/8"	601 mm
D	Outerbox Depth	19-1/4"	489 mm
E	Outerbox Rear Width	21-7/8"	555 mm
F	Front to Top Taper	9-5/8"	245 mm
G	Front to Side Taper	4-1/2"	114 mm
H	Rear to Side Taper	14-13/16"	377 mm
I	Gas Inlet Height	1-7/16"	36 mm
J	Gas Inlet Rear Depth	5-15/16"	150 mm

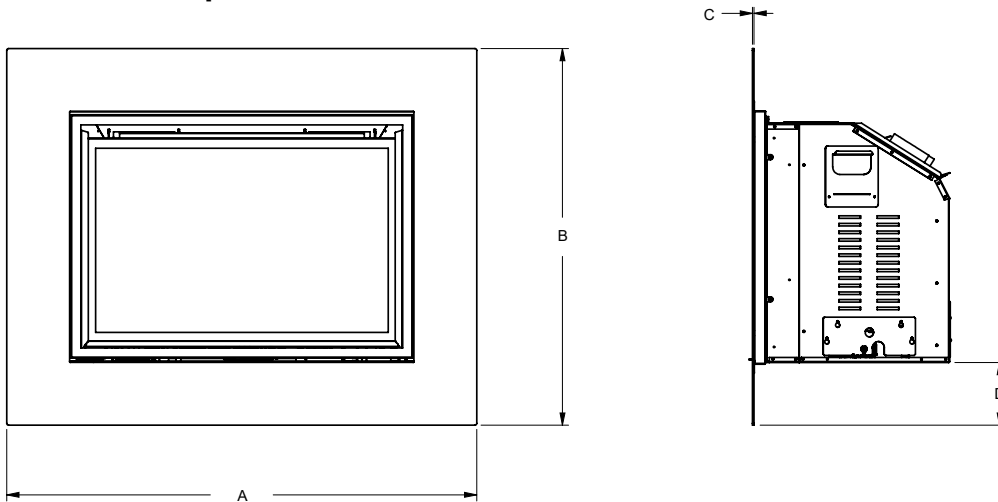
Letter	Description	Dimensions (inches)	Dimensions (mm)
K	Gas Inlet Front Depth	13-5/16"	338 mm
L	Electrical Access Height	1-5/16"	34 mm
M	Electrical Access Rear Depth	8-7/16"	215 mm
N	Electrical Access Front Depth	10-3/4"	274 mm
O	Glass Viewing Area Width	28-11/16"	729 mm
P	Glass Viewing Area Height	18-1/8"	460 mm
Q	Front to Intake	16-7/16"	417 mm
R	Front to Exhaust	15-1/2"	394 mm
S	Intake Diameter	3"	76 mm
T	Exhaust Diameter	4"	102 mm
U	Depth	18"	457 mm

Faceplate Dimensions

Three-Sided Faceplate



Four-Sided Faceplate


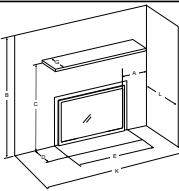




Faceplate	Dimensions			
	Width (A)	Height (B)	Depth (C)	Bottom Height (D)
Regular Faceplate	46-5/16" (1176 mm)	30-7/8" (784 mm)	1-5/16" (33 mm)	-
Regular Faceplate w/ Premium Surround	46-3/4" (1188 mm)	31-1/8" (790 mm)	1-11/16" (43 mm)	-
Flush Faceplate	46-1/8" (1171 mm)	30-3/4" (782 mm)	1/8" (3 mm)	-
Flush Faceplate w/ Traditional Surround	51-5/8" (1311 mm)	30-3/4" (782 mm)	2-3/16" (56 mm)	-
4-Sided Flush Faceplate	46-1/8" (1171 mm)	37-1/16" (942 mm)	1/8" (3 mm)	6" (152 mm)
Finishing Trim	35-15/16" (913 mm)	25-11/16" (652 mm)	1/16" (2 mm)	-
4-Sided Finishing Trim	35-15/16" (913 mm)	26-15/16" (685 mm)	1/16" (2 mm)	1-1/8" (29 mm)
Oversized Backing Plate	50-1/4" (1277 mm)	33" (838 mm)	1/8" (3 mm)	-
3-Sided Custom Backing Plate	38" - 56-7/8" (965 mm - 1445 mm)	26-3/4" - 44-7/8" (680 mm - 1140 mm)	1/8" (3 mm)	-
4-Sided Custom Backing Plate	38" - 69" (965 mm - 1753 mm)	29" - 45" (737 mm - 1143 mm)	1/8" (3 mm)	2-1/8" minimum (54 mm min.)

owner's information

Copy of Safety Label

A copy of the label that accompanies each Gi33LE gas insert is below.

Gi33LE Serial Label		Duplicate Serial number/Copie No de série		591	
 Listed: VENTED GAS FIREPLACE HEATER/FOYER AU GAZ À ÉVACUATION Certified to/Certifié pour : CSA 2.17-2017 ANSI Z21.88-2019 CSA 2.33-2019 Intertek Refer to Intertek's Directory of Building Products for detailed information. C # 4001172 Pour plus de détails, se reporter au Répertoire des produits de construction de Intertek.		DO NOT REMOVE THIS LABEL / NE PAS ENLEVER CETTE ÉTIQUETTE 591 Serial No. / No de série			
Modele/Modèle: Gi33LE-NG	NATURAL GAS FIREPLACE INSERT: MODEL Gi33LE-NG Factory Equipped For Altitude 0-4500ft. (0-1370m)		ENCASTRABLE AU GAZ NATUREL MODÈLE Gi33LE-NG		
	Min. Supply Pressure Low Setting Man. Pressure Max. Manifold pressure Orifice Minimum Input Maximum Input	5" WC (1.25 kPa) 1.1" WC (0.27 kPa) 3.8" WC (0.95 kPa) #33 DMS 20,500 Btu/h (6.01 kW) 38,500 Btu/h (11.28 kW)	Pression d'alimentation minimale Pression de sortie (manifold) - basse Pression de sortie (manifold) - max. Taille de l'orifice Débit calorifique minimal Débit calorifique maximal		
Modele/Modèle: Gi33LE-LP	PROPANE GAS FIREPLACE INSERT: MODEL Gi33LE-LP Factory Equipped For Altitude 0-4500ft. (0-1370m)		ENCASTRABLE AU GAZ PROPANE MODÈLE Gi33LE-LP		
	Min. Supply Pressure Low Setting Man. Pressure Max. Manifold Pressure Orifice Minimum Input Maximum Input	11" WC (2.74 kPa) 2.9" WC (0.72 kPa) 10.5" WC (2.61 kPa) #50 DMS 20,000 Btu/h (5.86 kW) 36,500 Btu/h (10.70 kW)	Pression d'alimentation minimale Pression de sortie (manifold) - basse Pression de sortie (manifold) - max. Taille de l'orifice Débit calorifique minimal Débit calorifique maximal		
Minimum Clearances to Combustibles from Insert/Dégagements min. combustibles				Mantel Clearances / Dégagements manteau	
Side wall/mur latéral A 8" (203 mm) Ceiling/Plafond B 60" (1524 mm) Mantel/Manteau C 48" (1220 mm)	Min. Alcove Width/Largeur min. alcôve K 56" (1422 mm) Max. Alcove Depth/Prof. max. alcôve L 36" (914 mm)	Min. Hearth Depth/Prof. min.âtre D 12" (305 mm) Min. Hearth Width/Largeur min.âtre E 36" (914 mm) Max. Mantle Depth/Prof. max. manteau G 12" (305 mm)	 MADE IN CANADA / FABRIQUÉ AU CANADA		
FPI Fireplace Products International, Ltd Delta BC, CANADA					
This appliance must be installed in accordance with local codes, if any; if none, follow the National Fuel Gas Code, ANSI Z223.1, or Natural Gas and Propane Installation Code, CSA B149.1. This appliance is only for use with the type of gas indicated on the rating plate. This appliance is not convertible for use with other gases unless a certified kit is used. This appliance is only for use with the type of gas indicated on the rating plate and may be installed in an aftermarket, permanently located, manufactured (mobile) home where not prohibited by local codes. See owner's manual for details. WARNING: This fireplace has been converted for use with a gas fireplace insert only and cannot be used for burning wood or solid fuels unless all original parts have been replaced, and the fireplace re-approved by the authority having jurisdiction. Cet appareil doit être installé conformément aux codes et règlements locaux, ou, en l'absence de tels règlements, conformément au National Fuel Gas Code ANSI Z223.1, ou au CSA-B149.1 en vigueur. Cet appareil doit être utilisé uniquement avec le type de gaz indiqué sur la plaque signalétique. Cet appareil peut être installé dans une maison préfabriquée ou mobile (É.-U. seulement) installée à demeure si les règlements locaux le permettent. Voir la notice de l'utilisateur pour plus de renseignements. Cet appareil ne peut pas être utilisé avec d'autres gaz sauf si une trousse de conversion certifiée est fournie. Cet appareil n'est pas convertible pour une utilisation avec d'autres gaz, sauf si un kit certifié est utilisé. AVERTISSEMENT : Ce foyer a été converti pour être utilisé avec un foyer au gaz encastrable et ne peut être utilisé pour brûler du bois ou d'autres combustibles solides à moins que toutes les pièces d'origine aient été remises en place et que le foyer ait été homologué de nouveau par une autorité compétente. This vented gas fireplace heater is not for use with air filters. Ne pas utiliser de filtre à air avec ce foyer au gaz à évacuation. For use with glass doors certified with the appliance only. Pour utilisation uniquement avec les portes en verre certifiées avec l'appareil. For use only with barrier (Part # 391-201/P) Follow installation instructions. Pour utilisation uniquement avec l'écran (Pièce n° 391-201/P) Suivre les consignes d'installation.					
Electrical supply / Alimentation électrique 115VAC, Less than 1.5A, 60Hz, Fan Part #/Pièce ventilateur 911-071/P CATEGORY I / CATÉGORIE I VENTED GAS FIREPLACE HEATER - NOT FOR USE WITH SOLID FUELS. FOYER AU GAZ À ÉVACUATION - NE PAS UTILISER AVEC UN COMBUSTIBLE SOLIDE.					
 CHANGIAN ENERGY PERFORMANCE VERIFIED RENDUMENT ÉNERGÉTIQUE VÉRIFIÉ		CSA P.4.1 Fireplace Efficiency (FE) /Efficacité énergétique des foyers (EEF) CSA P.4.1 Natural Gas / Gaz naturel 64.30% Propane Gas / Gaz propane 64.32%		920-669	

NOTE Regency units are constantly improving. Check the safety label on the unit and if it is different from the copy provided here, the label on the unit is correct.

For the State of Massachusetts, installation and repair must be done by a plumber or gas fitter licensed in the Commonwealth of Massachusetts.

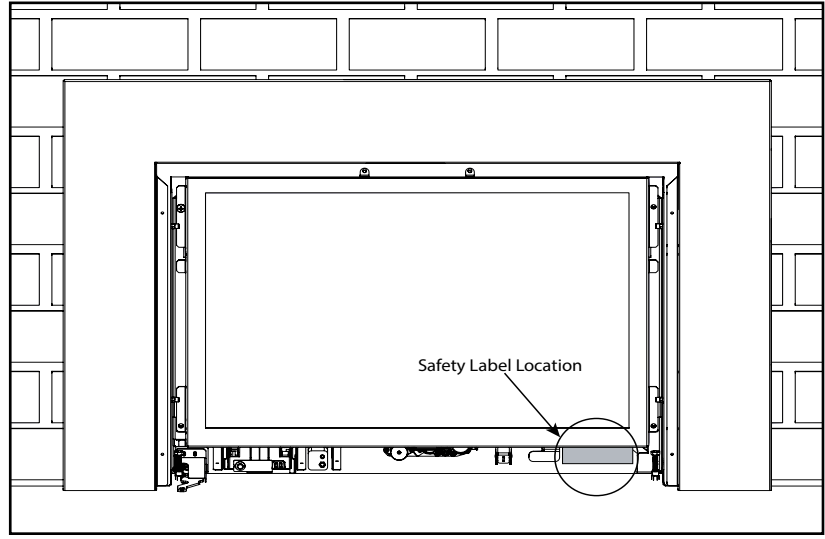
For the State of Massachusetts, flexible connectors shall not exceed 36 inches in length.

For the State of Massachusetts, the appliance's individual manual shutoff must be a t-handle type valve.

The State of Massachusetts requires the installation of a carbon monoxide alarm in accordance with NFPA 720 and a CO alarm with battery backup in the same room where the gas appliance is installed.

To find the safety label, remove faceplate from the front of your unit (see manual); the safety label is located below the glass (see picture).

DO NOT REMOVE THE LABEL FROM THE UNIT.



Gas Installation Checklist

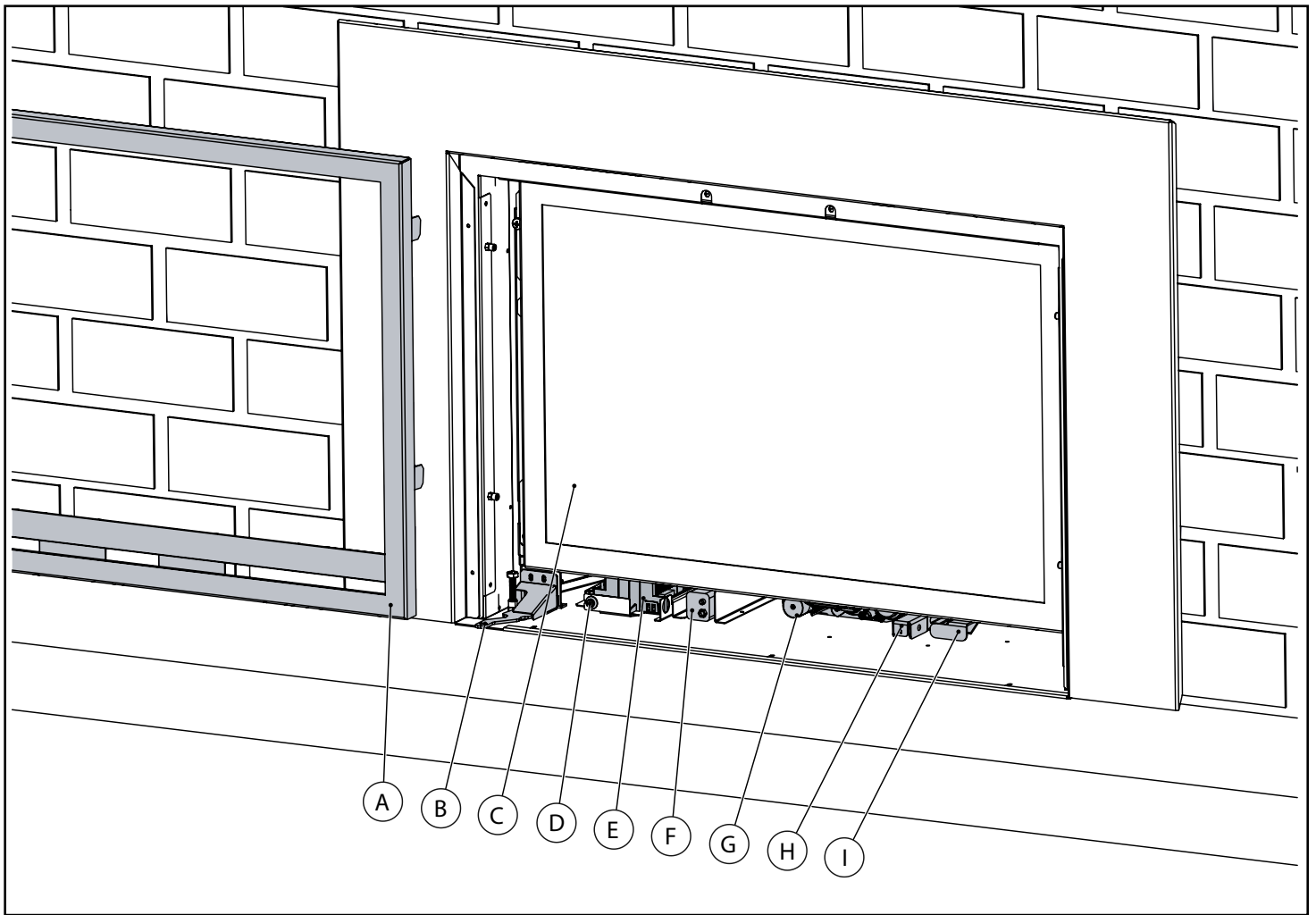
This general checklist does not contain all pertinent installation details or specifics and does not supersede the guidelines in this manual. Your Regency dealer/installer should use it in conjunction with manual instructions. Please follow all local codes and jurisdictions in authority.

Customer: _____	Date Installed: _____		
Install Address: _____	Location of Fireplace: _____		
Serial No: _____	Installer: _____		
Model No: _____			
Site Requirements	YES	NO	
If applicable, are the insulation, vapour barrier, and drywall present if installed on an outside wall or chase?			
Does the area have a solid continuous base to support the unit?			
Will the area accommodate the size of the appliance and all clearances?			
Are the gas and electrical roughed into the area where the unit is being installed?			
In City & Grandview series cool wall applications, is the chase enclosure sealed to prevent heat from escaping? All hot air from the unit must exit via the mandatory ventilation openings.			
In City & Grandview applications, Is the chase enclosure vented with the mandatory heat ventilation openings? See manual for details.			
If applicable, is the masonry/factory built freplace in its original condition with no modifications?			
If applicable, have the hearth requirements been met?			
Unit Setup	YES	NO	
If applicable, are the standoffs and top nailing flange extensions installed and at the correct depth to accommodate finishing material? See manual for details.			
If applicable, is the fireplace level and secured, meeting framing clearances? See manual for details.			
If applicable, is the unit converted to top or rear vent per manual instructions, and the insulation discarded?			
Venting	YES	NO	
Are the venting components approved for the unit installed?			
Does the venting configuration comply with venting diagrams?			
Is venting installed and secured, and are clearances for the vent pipe and termination cap maintained?			
If applicable, was a 1/4" rise maintained for every foot of horizontal run?			
Was the termination installed and sealed?			
Is the direct vent termination at the highest point in the vent assembly?			
If applicable, are both chimney liners continuous from flue collars to termination?			
Electrical and Wiring	YES	NO	
Is the appliance connected to the household's 110/120v per local codes? Check local codes for receptacle placement.			
Were the connections in the fireplace tested with a circuit tester?			
Is the appliance properly grounded?			
If applicable, is the supplied electrical/gang box affixed to the wall to facilitate the mounting of the receiver/battery box ?			
If applicable, is all electrical, Ethernet, HDMI, networking, optical, wire/cables, conduits, etc. run through the wood or steel stud work as wires/cables of any kind cannot be exposed directly above or over the fireplace?			
Gas	YES	NO	
Does the supply pressure meet the requirements shown on the rating plate?			
Was a conversion performed?			
Was a leak check performed and manifold pressures verified?			

installer's information

Is the shut-off valve installed and easily accessible to the customer?		
Finishing	YES	NO
If applicable, is only noncombustible material installed in the noncombustible areas?		
Do clearances meet installation and manual requirements?		
Do the mantels and/or projections comply with the installation manual?		
If applicable, was the solid fuel fireplace warning plate installed?		
Is the chase enclosure fully open the full width, height and depth above the fireplace as per the requirements noted in the framing section?		
Appliance Media Setup	YES	NO
Do commands from the remote or wall switch light the pilot and main burner?		
Are the burner media/log set, glass door, and screen installed per instructions in the manual?		
Was the air shutter on the proper setting after running the unit for 20 minutes?		
If applicable, were the surround and trims installed according to the manual?		
Was the operation of the fan, lights (if installed), and flame modulation checked?		
Customer Tutorial and Presentation	YES	NO
Is the customer confident operating the new gas appliance and aware of all the features on the remote?		
Confirm that the rating and lighting plates are attached to the appliance. Do not remove.		
Was the customer informed of the location of the rating and lighting plates?		
Was accessing unit controls in a power outage explained to the customer?		
Are the model and serial numbers and the date of installation of the unit written in the manual and on the checklist?		
Were the warranty and unit registration reviewed with the customer?		
Comments:		

Know Your Appliance



LETTER	DESCRIPTION	MORE INFO ON PAGE
A	SCREEN	54
B	ON/OFF SWITCH	10, 68
C	GLASS DOOR	55, 70
D	REMOTE SYNC SWITCH	16
E	IFC BOARD/WIRING DIAGRAM	67
F	BATTERY BACKUP HOLDER	16
G	VALVE STEPPER MOTOR	
H	GAS SHUT-OFF VALVE	33
I	AIR SHUTTER ADJUSTMENT ARM	31

owner's information

Important Message

SAVE THESE INSTRUCTIONS

The Gi33LE gas insert must be installed in accordance with the instructions in this manual; read them carefully before installing the unit. Consult the authority having jurisdiction to determine the need for permits prior to starting the installation. It is the responsibility of the installer to ensure this fireplace is installed in compliance with the manufacturer's instructions and all applicable codes.

Before You Start

We are required by the Canadian Safety Standards and ANSI Standards to make you aware of the following.



INSTALLATION AND REPAIR SHOULD BE DONE BY AN AUTHORIZED SERVICE PERSON. THE APPLIANCE SHOULD BE INSPECTED BEFORE USE AND AT LEAST ANNUALLY BY A PROFESSIONAL SERVICE PERSON. MORE FREQUENT CLEANING MAY BE REQUIRED DUE TO LINT FROM CARPETING, BEDDING MATERIAL, ETC. IT IS IMPERATIVE THAT CONTROL COMPARTMENTS, BURNERS, AND CIRCULATING AIR PASSAGEWAYS OF THE APPLIANCE ARE KEPT CLEAN.

 **WARNING: Cancer and Reproductive Harm**
www.P65Warnings.ca.gov 919-874

WARNING: FAILURE TO INSTALL THIS APPLIANCE CORRECTLY WILL VOID YOUR WARRANTY AND MAY CAUSE A SERIOUS HOUSE FIRE.

DUE TO HIGH TEMPERATURES, THE APPLIANCE SHOULD BE LOCATED OUT OF TRAFFIC AND AWAY FROM FURNITURE AND DRAPERIES.

CHILDREN AND ADULTS SHOULD BE ALERTED TO THE HAZARDS OF HIGH SURFACE TEMPERATURES, ESPECIALLY THE FIREPLACE GLASS, AND SHOULD STAY AWAY TO AVOID BURNS OR CLOTHING IGNITION.

A BARRIER DESIGNED TO REDUCE THE RISK OF BURNS FROM THE HOT VIEWING GLASS IS PROVIDED WITH THIS APPLIANCE AND SHALL BE INSTALLED FOR THE PROTECTION OF CHILDREN AND OTHER AT-RISK INDIVIDUALS

CLOTHING OR OTHER FLAMMABLE MATERIAL SHOULD NOT BE PLACED ON OR NEAR THE APPLIANCE.

IF THE BARRIER BECOMES DAMAGED, IT MUST BE REPLACED WITH THE MANUFACTURER'S BARRIER FOR THIS APPLIANCE.

ANY SAFETY SCREEN, GUARD, OR BARRIER REMOVED FOR SERVICING AN APPLIANCE MUST BE REPLACED PRIOR TO OPERATING THE APPLIANCE.

For Your Safety

This appliance requires air for proper combustion. Always provide adequate combustion and ventilation air. Follow instructions and information in CSA B149.1 (in Canada) or the National Fuel Gas Code ANSI Z223.1 (in the USA), regarding requirements for combustion and ventilation air.

Specifications

Pressures over 1/2 psig, the pipe to the unit must be disconnected.

Gas Max. Input Capacity:

Natural Gas 38,500 Btu/h

Propane 36,500 Btu/h

Min. Input

Natural Gas 20,500 Btu/h

Propane 20,000 Btu/h

Fuels: Approved for use with natural gas and propane. Approved as is for use at 0' to 4,500' (0-1,370 m).

Electrical: 120 V A.C. system.

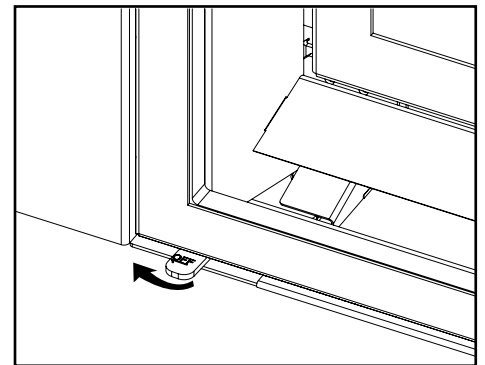
Circulation Fan: Variable speed, 140 CFM.

Log Set: Ceramic fibre, 10 per set

Glass Crystals: 2-1/2 pounds of crushed glass

Vent System: 3" (76.2 mm) & 4" (101.6 mm) co-linear aluminum flex (intake & exhaust). The unit's thermal efficiency rating is determined under continuous operating conditions, independent of any installed system.

On/Off Switch



With the pilot on, turn the switch to the right to turn the burner on. Moving the switch to the left will turn the burner off.

NOTES

- This ON/OFF switch will be located on the lower left-hand side of the appliance as shown above.
- This ON/OFF switch overrides the remote functionality. Ensure switch is left in ON position when using the remote control.

Lighting Procedure

IMPORTANT: The remote control system supplied with this appliance must be used for lighting with the ON/OFF key on the hand held transmitter. Prior to operating this appliance, please read the remote control operating instructions (packaged with remote control) to understand how to operate this remote control system.

1. Press and release the ON/OFF button on the remote handheld transmitter (see Diagram 1). An audible beep should be heard from the receiver.



Diagram 1
Remote shown in Manual Mode on Hi

2. After approximately 4 seconds the spark ignition system will spark for 60 seconds to light the pilot.
3. The unit will turn on.



Figure 1: Proflame Transmitter

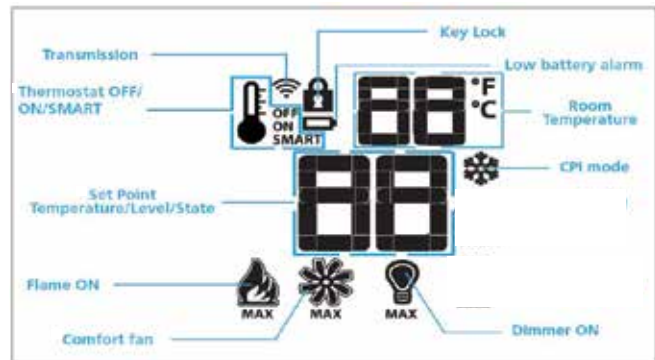
Note: The first try for ignition will last approximately 60 seconds. If there is no flame ignition (rectification) the board will stop sparking for approximately 35 seconds. After wait time, the board will start second try for ignition by sparking for approximately 60 seconds. If there is still no positive ignition the board will go into lock out.

The system will need to be reset as follows:

- a) Turn the system off by pressing the ON/OFF button on the remote.
- b) Wait 5 minutes then repeat from step 2.

Cut Off Procedure

1. Press the ON/OFF button on the remote
2. If service is to be performed - you must disconnect power and shut off gas to the unit.



Fan Operation: The standard fan can be operated by using the remote control supplied with this unit. See remote control instructions.

Note: In thermostat mode: When the appliance is turned on, the fan will not come on for the first 5 minutes (if fan is turned on). When the appliance is turned off the fan will not turn off for 12 minutes (if in on position)

Manual mode: Fan will turn on and off immediately using the remote control transmitter if the fan function is in the "on" position.

Continuous Pilot/Intermittent Pilot (CPI/IPI) **selection**

See remote control instructions for details.

On Demand Pilot (seven day safety timer)

Important information if using the appliance in CPI (continuous pilot mode) only

This appliance is a ProFlame 2 system fitted with the "On Demand" Pilot, a safety feature which will shut down the gas valve completely by extinguishing the pilot light in the event of a continuous full seven days of inactivity.

This only applies if the CPI (continuous pilot) switch is in the "on" position in your remote control transmitter.

Each time the main burner shuts down, manually or through the call from the thermostat, the seven day timer starts again.

The seven day inactivity timer is controlled within the circuit board. Therefore, if in CPI mode and when the pilot light is extinguished after seven straight days of inactivity, the CPI setting on the remote control transmitter will remain in the "CPI" (continuous pilot) position. Therefore, all that is required to relight the pilot would be to press the on/off button on the remote control transmitter from "on" to "off" and back to "on". Once the pilot has re-established operation will resume as normal. There is no requirement to do anything with the IPI/CPI mode on the remote control transmitter.

If the unit never goes as long as seven full days without a call for heat, the pilot will remain lit until it is manually shut-off.

If the unit is being operated in IPI (intermittent pilot) mode, neither the above instructions nor the seven day timer will apply.

See the instructions in this manual and on the Lighting Instructions plate on the appliance to light or re-light the pilot.

owner's information

Temperature indication Display

With the system in the "OFF" position, press the Thermostat Key and the Mode Key at the same time. Look at the LCD screen on the transmitter to verify that a C or F is visible to the right of the room temperature display (Fig. 4 & 5).

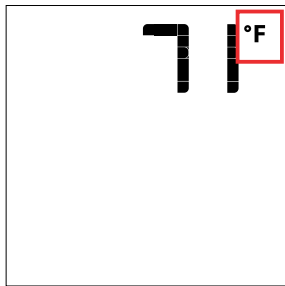


Figure 4: Remote Control display in Fahrenheit.

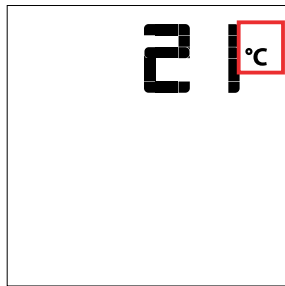


Figure 5: Remote Control display in Celsius.

Turn on the Appliance

With the system OFF, press the ON/OFF Key on the Transmitter. The Transmitter display will show some other active Icons on the screen. At the same time the IFC will activate the appliance. A single "beep" from the IFC will confirm reception of the command.

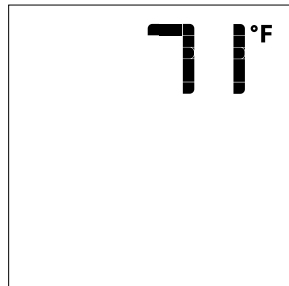


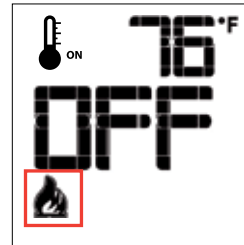
Figure 6: Remote Control display

Turn off the Appliance

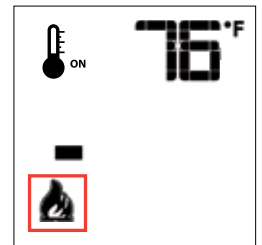
With the system ON, press the ON/OFF Key on the Transmitter. The Transmitter LCD display will only show the room temperature (Fig. 6). At the same time the IFC will turn off the appliance. A single "beep" from the IFC confirms reception of the command.

Remote-Flame Control

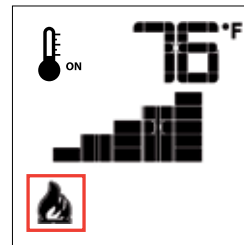
The Proflame has six (6) flame levels. With the system on, and the flame level at the maximum in the appliance, pressing the Down Arrow Key once will reduce the flame height by one step until the flame is turned off. The Up Arrow Key will increase the flame height each time it is pressed. If the Up Arrow Key is pressed while the system is on but the flame is off, the flame will come on in the high position (Fig. 7 & 8). A single "beep" will confirm reception of the command.



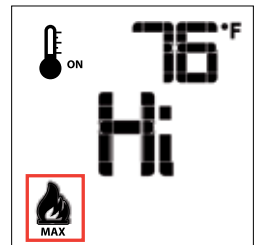
Flame Off



Flame Level 1



Flame level 5



Flame Level Maximum

Fig. 7

Fig. 8

Room Thermostat (Transmitter Operation)

The Remote Control can operate as a room thermostat. The thermostat can be set to a desired temperature to control the comfort level in a room. To activate this function, press the Thermostat Key (Fig. 1). The LCD display on the Transmitter will change to show that the room thermostat is "ON" and the set temperature is now displayed (Fig. 9). To adjust the set temperature, press the Up or Down Arrow Keys until the desired set temperature is displayed on the LCD screen of the Transmitter.

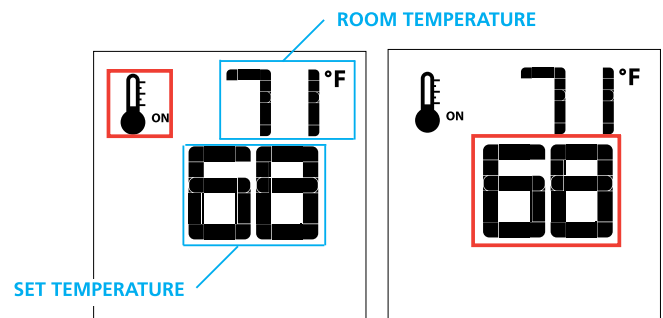


Figure 9

Figure 10

Smart Thermostat (Transmitter Operation)

The Smart Thermostat function adjusts the flame height in accordance to the difference between the set point temperature and the actual room temperatures. As the room temperature gets closer to the set point the Smart Function will modulate the flame down.

To activate this function, press the Thermostat Key (Fig. 1) until the word "SMART" appears to the right of the temperature bulb graphic (Fig. 11). To adjust the set temperature, press the Up or Down Arrow Keys until the desired set temperature is displayed on the LCD screen of the Transmitter (Fig. 12).

Note. When Smart Thermostat is activated, manual flame height adjustment is disabled.

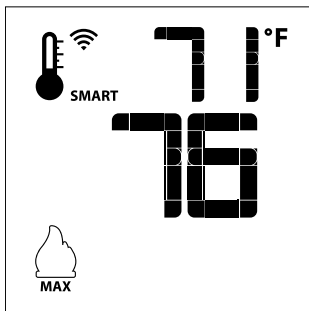


Figure 11: Smart Flame Function

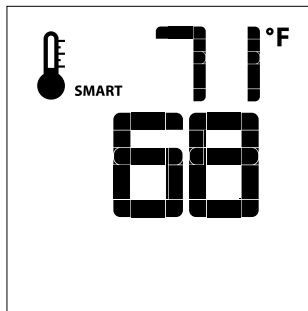


Figure 12

Fan Speed Control

If the appliance is equipped with a hot air circulating fan, the speed of the fan can be controlled by the Proflame system. The fan speed can be adjusted through six (6) speeds. To activate this function use the Mode Key (fig.1) to index to the fan control icon (Fig. 13). Use the Up/Down Arrow Keys (fig.1) to turn on, off or adjust the fan speed (Fig. 14). A single "beep" will confirm reception of the command.



Figure 13

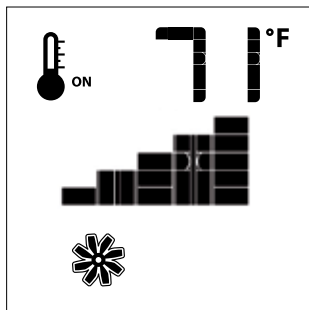


Figure 14

Remote Dimmer Control (Light)

The auxiliary function controls the AUX power outlet by the dimmable light control. To activate this function use the Mode Key (Fig. 1) to index to the AUX icon (Fig. 15 & 16).

The intensity of the output can be adjusted through six (6) levels. Use the Up/Down Arrow Keys (Fig.1) adjust the output level (Fig. 16). A single "beep" will confirm reception of the command.

Note: This function is available only with the IFC Control Module.

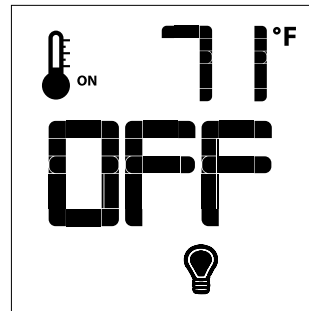


Figure 15

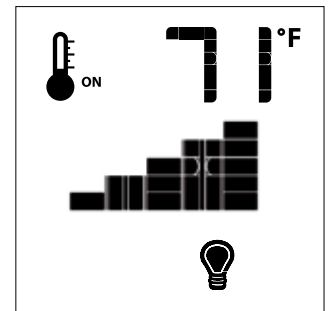


Figure 16

owner's information

Continuous Pilot/Intermittent Pilot (CPI/IPI) selection

Note: Power vent models do not have a Continuous Pilot option.

With the system in "OFF" position press the Mode Key (Fig. 1) to index to the CPI mode icon (Fig. 19 & 20).

Pressing the Up Arrow Key will activate the Continuous Pilot Ignition mode (CPI). Pressing the Down Arrow Key will return to IPI. A single "beep" will confirm the reception of the command.

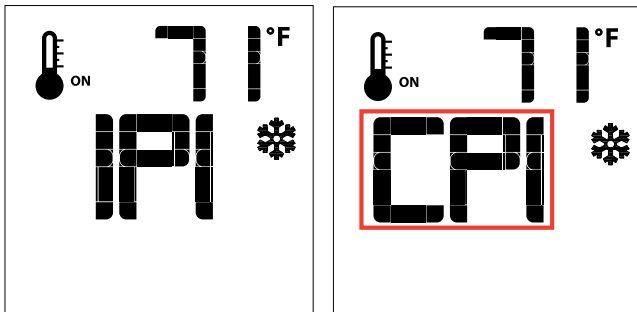


Figure 20

Thermostat Icon: If the thermostat icon is not present on the remote transmitter, follow instructions noted below:

1. Remove one battery from the remote.
2. Press and hold down the Thermostat button on the remote.
3. Reinstall the battery (removed in Step 1) while still holding down thermostat button.
4. If you see "**Set**" the thermostat option is now enabled. If you see "**Clr**" the thermostat option is now disabled.
5. Repeat the procedure if the "**Set**" or "**Clr**" to remove or add the option back to the remote did not appear.

Enable all other functions if not present on the remote transmitter, follow instructions noted below:

1. Remove one battery from remote.
2. Press and hold both the **ON/OFF** and **MODE** button at the same time.
3. Reinstall battery removed in Step 1 while holding both buttons—keep holding buttons, then release the **MODE** button only.
4. The screen will show either "**Clr**" or "**Set**" as the first option available is to disable or enable a mode.
5. "**Clr**" will remove a mode—use the up or down arrow while holding down **ON/OFF** and **MODE** (mode icon will disappear once removed).
6. Use the "**MODE**" button to move to the next function.
7. "**Set**" will add a mode—use the up or down arrow while holding down **ON/OFF** and **MODE** (mode icon will appear when added).
8. Use the "**MODE**" button to move to the next function.

Note: You should never program out the fan (if installed) or CPI/IPI mode on the remote.

Key Lock

This function will lock the keys to avoid unsupervised operation.

To activate this function, press the MODE and UP Keys at the same time (fig. 21).

To de-activate this function, press the MODE and UP Keys at the same time.

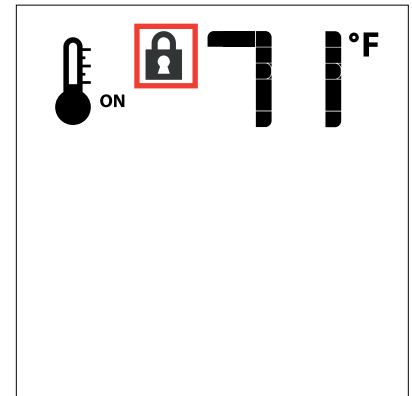


Figure 21

Low Battery Power Detection Transmitter

The life span of the remote control batteries depends on various factors: quality of the batteries used, the number of ignitions of the appliance, the number of changes to the room thermostat set point, etc.

When the Transmitter batteries are low, a Battery Icon will appear on the LCD display of the Transmitter (Fig. 22) before all battery power is lost. When the batteries are replaced this Icon will disappear.

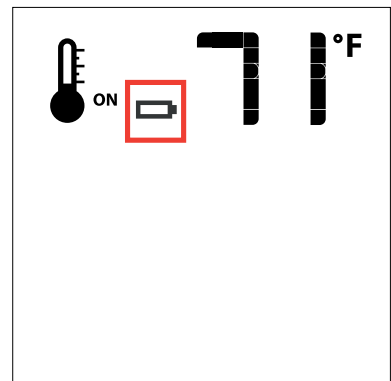


Figure 22

Proflame II Remote Control Operating Instructions

IMPORTANT: The Proflame Transmitter 2 is an integrated part of the Proflame 2 System, which consists of these elements:

- Proflame 2 Transmitter, to be used in conjunction with:
- Integrated Fireplaces Control (Proflame 2 IFC)

The Proflame 2 Transmitter provides for controlling the following hearth appliance functions:

1. Main Burner On/Off
2. Main Burner flame modulation (6 levels)
3. Choice of standing or intermittent pilot (CPI/IPI)
4. Thermostat and Smart thermostat functions
5. Accent light modulation (6 levels)
6. Split flow valve**
7. Comfort Fan speed modulation (6 levels)

** This feature is not available on this model.

The Proflame Transmitter uses a streamline design with a simple button layout and informative LCD display (Fig. 1). A Mode Key is provided to index between the features and a Thermostat Key is used to turn on/off or index through Thermostat functions (Fig. 1 & 2). Additionally, a Key Lock feature is provided (Fig. 22).



Figure 1: Proflame Transmitter

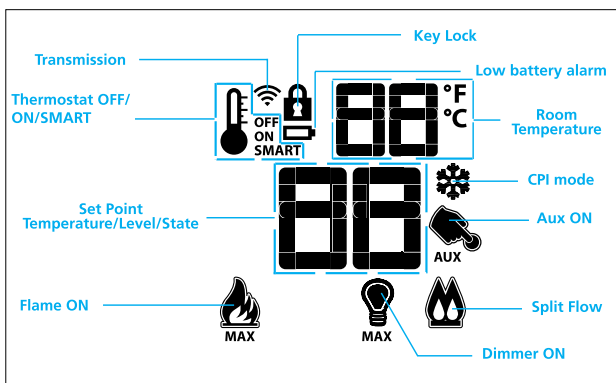


Figure 2: Transmitter LCD Display



TECHNICAL DATA REMOTE CONTROL	
Supply Voltage	4.5V (three 1.5V AAA batteries)
Ambient temperature ratings	0 - 50°C (32 - 122°F)
Radio Frequency	315 MHZ

WARNING: THE TRANSMITTER AND IFC ARE RADIO FREQUENCY DEVICES.

ATTENTION!

- Turn "OFF" the main gas supply of the appliance during installation or maintenance of the IFC.

- Turn "OFF" main gas supply to the appliance prior to removing or reinserting the batteries.

- In case of remote control malfunction, turn off the IFC device using the "ON/OFF" main switch.

- For installation / maintenance, switch off the IFC device removing main power supply plug.

OPERATING PROCEDURE

Pairing the remote control to IFC (if required)

Power the IFC. Locate the black reset button on the lower left hand side of the appliance. See this manual for location/instructions. The IFC will "beep" three (3) times to indicate that it is ready to synchronize with a Transmitter. Install the 3 AAA type batteries in the Transmitter battery bay, located on the base of the Transmitter. (Fig. 3) With the batteries already installed in the Transmitter, push the On button. The IFC will "beep" four times to indicate the Transmitter's command is accepted and sets to the particular code of that Transmitter. The system is now initialized.



Figure 3: Battery Compartment

Note: Only use regular alkaline batteries. Do not use rechargeable or lithium batteries.

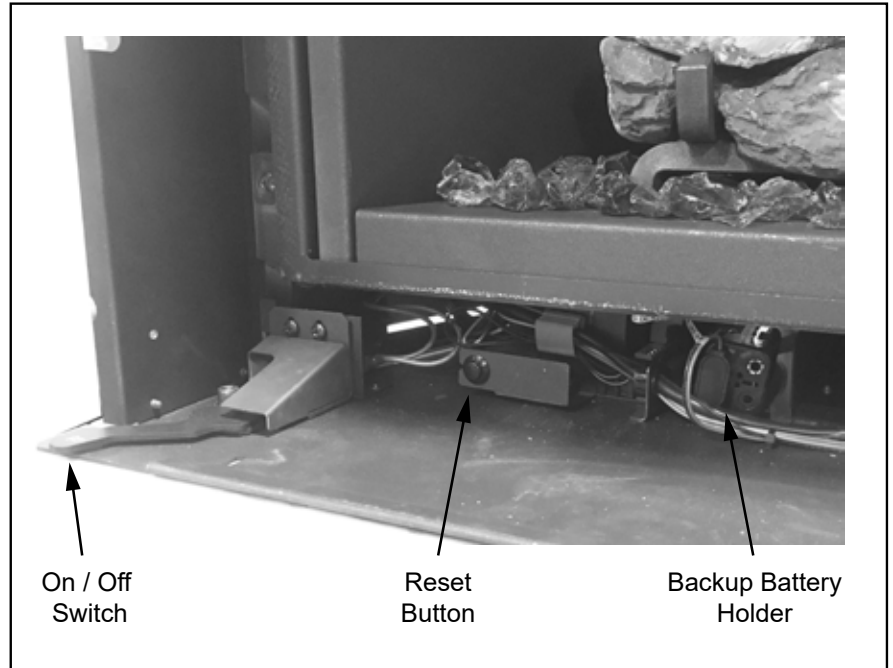
owner's information

Remote / Receiver Coding

The remote control is coded at the factory. If for what ever reason , the remote requires to be recoded follow steps below.

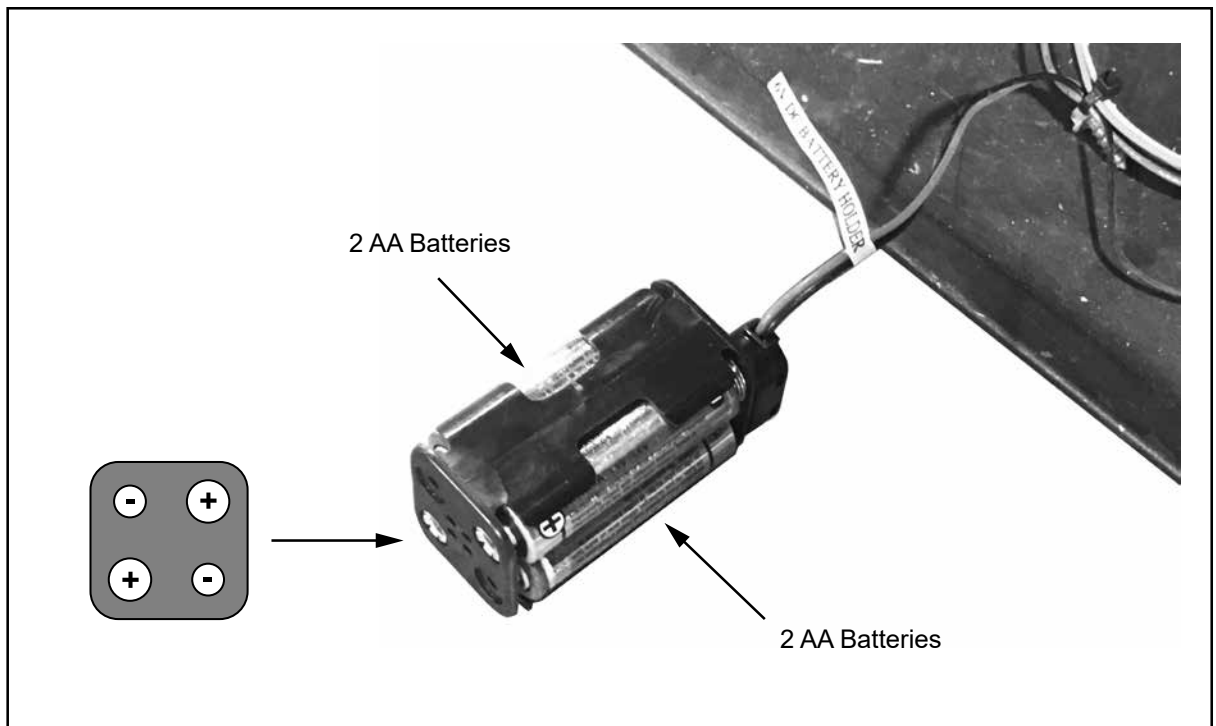
To code the receiver to the hand-held remote, follow the procedure below.

1. Remove screen assembly
2. Plug in 120 AC power cord into a grounded receptacle, or install 4 AA batteries into the backup battery holder located next to the reset button. Do not use both 120 AC power and batteries. Only use the 4 AA batteries if 120 AC is not available.
3. Install 3 AAA batteries into the hand-held remote.
4. Hold down the black reset button on the left side until 3 beeps are heard.
5. Hold down the On / Off button on the hand-held remote to code the remote to the receiver. After 4 beeps are heard, the hand-held remote is paired with the receiver



Backup Battery Holder

Insert 4 AA batteries into the backup battery holder as shown below. Only use the 4 AA batteries if 120 AC is not available.



Copy of Lighting Plate Instructions

**FOR YOUR SAFETY READ BEFORE LIGHTING
POUR VOTRE SÉCURITÉ – À LIRE AVANT LA MISE EN MARCHÉ**

WARNING: If you do not follow these instructions exactly, a fire or explosion may result causing property damage, personal injury or loss of life. Improper installation, adjustment, alteration, service or maintenance can cause injury or property damage. Refer to the owner's information manual provided with this appliance. For assistance or additional information consult a qualified installer, service agency or gas supplier.

AVERTISSEMENT : Quiconque ne respecte pas scrupuleusement les instructions de la présente notice risque de déclencher un incendie ou une explosion pouvant entraîner des dégâts matériels ou des blessures pouvant être mortelles. Tout défaut d'installation, de réglage, de modification, de service ou d'entretien peut entraîner des blessures ou des dommages matériels. Reportez-vous au manuel d'utilisation fourni avec cet équipement. Pour obtenir de l'aide ou des informations complémentaires, consulter un installateur ou un service d'entretien qualifié, ou le fournisseur de gaz.

- A) This appliance is equipped with an ignition device which automatically lights the pilot.
Do not try to light the pilot by hand.
- B) **BEFORE OPERATING** smell all around the appliance area for gas. Be sure to smell next to the floor because some gas is heavier than air and will settle on the floor.
WHAT TO DO IF YOU SMELL GAS
- Do not try to light any appliance.
 - Do not touch any electric switch, do not use any phone in your building.
 - Leave the building immediately.
 - Immediately call your gas supplier from a neighbours phone. Follow the gas supplier's instructions.
 - If you cannot reach your gas supplier, call the fire department.
- C) Do not use this appliance if any part has been under water. Immediately call a qualified service technician to inspect the appliance and to replace any part of the control system and any gas control which has been underwater.
- A) Cet appareil est muni d'un dispositif d'allumage qui allume automatiquement la veilleuse.
Ne tentez pas d'allumer la veilleuse manuellement.
- B) **AVANT LA MISE EN MARCHÉ**, reniflez tout autour de l'appareil pour déceler une odeur de gaz. Reniflez au niveau du plancher, car certains gaz sont plus lourds que l'air et peuvent s'accumuler au niveau du sol.
- QUE FAIRE SI VOUS SENTEZ UNE ODEUR DE GAZ :**
- Ne tentez pas d'allumer l'appareil
 - Ne touchez à aucun interrupteur; n'utilisez pas le téléphone se trouvant dans le bâtiment.
 - Quittez immédiatement le bâtiment.
 - Appelez immédiatement votre fournisseur de gaz depuis un téléphone extérieur. Suivez les instructions du fournisseur.
 - Si vous ne pouvez pas rejoindre le fournisseur, appelez le service incendie.
- C) N'utilisez pas cet appareil s'il a été plongé dans l'eau, même partiellement. Faites inspecter l'appareil par un technicien qualifié et remplacez tout élément du système de contrôle ou de commande qui a été plongé dans l'eau.

CAUTION: Hot while in operation. Do not touch. Severe burns may result. Due to high surface temperatures keep children, clothing and furniture, gasoline and other liquids having flammable vapors away. Keep burner and control compartment clean. See installation and operating instructions accompanying appliance.

ATTENTION : Surfaces chaudes lorsque l'appareil est en marche. Ne pas toucher. Risque de brûlures graves. En raison des températures élevées, les enfants, les vêtements et le mobilier, le carburant et tout autre liquide aux vapeurs inflammables doivent être tenus éloignés de l'appareil. Nettoyer régulièrement le brûleur et le compartiment des commandes. Voir les consignes d'installation et d'utilisation fournies avec l'appareil.

OPERATING INSTRUCTIONS / CONSIGNES DE FONCTIONNEMENT

- 1) **STOP! Read the safety information above on this label.**
 - 2) Ensure the Main switch is in the ON position and/or the wall mounted battery holder (if equipped) is in the <REMOTE> position.
 - 3) Press and release the ON/OFF button on the remote handheld transmitter. An audible beep should be heard from the receiver. If not using the remote, the unit can also be turned on by sliding the battery holder switch to the <ON> position (if equipped).
 - 4) After approximately 4 seconds the spark ignition system will spark for 60 seconds to light the main burner.
 - 5) The unit will turn on.
Note: The first attempt to ignition will last approximately 60 seconds. If there is no flame ignition (rectification) the board will stop sparking for approximately 35 seconds. After this wait time, the board will start a second try for ignition by sparking for approximately 60 seconds. If there is still no positive ignition after the second attempt the board will go into lock out.
The system will need to be reset as follows (after going into lock out mode):
 - a) Wait 5 minutes - turn the system off by pressing the ON/OFF button on the remote.
 - b) After approximately 2 seconds press the ON/OFF button again.
 - c) Unit will repeat step 2.
 - 6) If the appliance will not operate, follow the instructions, "To Turn Off Gas to Appliance" and call your service technician or gas supplier. This appliance is equipped with an on-demand pilot that shuts off after seven days.
- 1) **STOP! Lisez les instructions de sécurité sur la portion supérieure de cette étiquette.**
 - 2) S'assurer que le commutateur principal est en position ON et/ou que le bloc-piles mural (le cas échéant) est en position <REMOTE>.
 - 3) Appuyer sur la touche ON/OFF de la télécommande puis relâcher. Un bip sonore retentira depuis le récepteur. Si vous n'utilisez pas la télécommande, l'appareil peut également être allumé en faisant glisser le commutateur du bloc-piles sur la position <ON> (le cas échéant).
 - 4) Après environ 4 secondes, le système d'allumage produira une étincelle pendant 60 secondes pour allumer le brûleur principal.
 - 5) L'appareil s'allumera.
Remarque : Au premier allumage, le système tente d'allumer les flammes pendant 60 secondes. Si l'essai est infructueux, le système fera une pause de 35 secondes. C'est ce qu'on appelle l'étape de rectification. Ce délai écoulé, le système tente à nouveau d'allumer les flammes en produisant des étincelles pendant 60 secondes. Si les flammes ne s'allument toujours pas, le système se met en mode verrouillage.
Il faut alors le réinitialiser en suivant les étapes ci-dessous (pour le déverrouiller) :
 - a) Attendre 5 minutes et éteindre l'appareil en appuyant sur la touche ON/OFF de la télécommande.
 - b) Attendre 2 secondes et appuyer encore une fois sur la touche ON/OFF.
 - c) L'appareil répètera l'étape 2.
 - 6) Si l'appareil ne fonctionne pas, suivez les instructions "Pour couper le gaz au niveau de l'appareil" et appelez un technicien qualifié ou votre fournisseur de gaz.
Cet appareil est équipé d'une veilleuse sur demande qui s'éteint après sept jours.

TO TURN OFF GAS TO APPLIANCE / POUR COUPER LE GAZ AU NIVEAU DE L'APPAREIL

- 1) Press the ON/OFF button on the remote or slide the wall mount switch to the "OFF" position.
 - 2) If service is to be performed—you must disconnect power and shut off gas to the unit.
- 1) Appuyer sur la touche ON/OFF de la télécommande ou faites glisser l'interrupteur mural sur la position "OFF".
 - 2) Lors de l'entretien de l'appareil, vous devez débrancher l'alimentation électrique et couper le gaz alimentant l'appareil.

DO NOT REMOVE THIS INSTRUCTION PLATE

NE PAS ENLEVER CETTE ÉTIQUETTE D'INSTRUCTIONS

919-649b

installer's information

Gas Pressure Testing

During gas testing at pressures equal-to-or-less-than 1/2 psig. (3.45 kPa), the appliance's manual shut off valve must be closed to isolate it from the gas supply piping system.

Installation Into a Solid Fuel Burning Fireplace or Factory Built Fireplace

The G133LE gas insert was tested and approved for venting into any masonry or approved solid fuel burning factory-built fireplace that the insert fits into. Refer to "Minimum Fireplace Dimensions" section for minimum fireplace clearances.

If the factory built fireplace* height is too low for your Insert, you may remove the smoke baffle plate, damper, refractory (firebricks), glass doors, screen rails, screen mesh and log grates from the factory built fireplace. Save these items for reinstallation if the insert is removed. The fireplace flue damper can be fully blocked open or removed for installation of the gas fireplace insert.

Smoke shelves, shields, and baffles may be removed if attached by mechanical fasteners. Parts removed must not weaken the structural integrity of the factory-built fireplace.

The fireplace and chimney must be clean, in good working order, and constructed of non-combustible materials.

The surround panels should not seal ventilation openings on the fireplace.

Chimney cleanouts should fit properly.

NOTE Any alterations made to the listed solid fuel burning factory built fireplace may void the listing of the fireplace.

Cutting any sheet metal part of the fireplace in which the gas insert is to be installed is prohibited.

*Check with a local inspector before installation.

Installers must mechanically attach the supplied label to the inside of the firebox of the fireplace into which the gas fireplace insert is installed.

WARNING This fireplace has been converted for use with a gas fireplace insert only. It cannot be used for burning wood or solid fuels unless all original parts are replaced and the fireplace re-approved by the authority having jurisdiction."

Factory-Built (Metal) Wood-Burning Fireplace Requirements

NOTE Any parts that are removed must be removed in a way that would allow them to be reinstalled if the insert is ever removed (removal of rivets or screws is acceptable).

To reference parts—see illustration below.

Must be removed:

- 1 - Damper
- 2 - Grate (with log set)

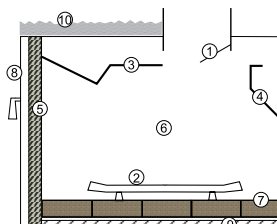
May be removed (if applicable):

- 3 - Smoke shelf
- 4 - Internal baffles
- 5 - Screen
- 6 & 7 - Masonry lining or refractory
- 8 - Metal or glass doors

You must permanently mark the fireplace to indicate that it was altered and is no longer suitable for burning solid fuel (wood) unless the removed parts are reinstalled. Cutting any sheet metal parts is prohibited.

May be removed (in certain cases):

- 9 - Metal floor of the firebox
- 10 - The insulation and any structured rigid frame members must not be removed or altered (side and top of the door frame, side and top of the face of the fireplace, metal sides, etc.).



CAUTION Firebox floor removal is not covered under the appliance safety standard (ANSI Z21.88) used in the safety certification of this appliance. The Intertek safety certification does not apply to this method of installation. Before installing the appliance using this method, contact the Authority Having Jurisdiction to determine if this installation is acceptable in your area. The sheet metal base of the fireplace must be left in place and a minimum 1/2" cement board sheet placed under the entire length and width of the appliance.

If the factory-built fireplace has no gas access hole(s), one that is 1-1/2" (37-1/2 mm) or less may be drilled through the lower sides or bottom of the firebox. This access hole must be plugged with non-combustible insulation after the gas supply line is installed.

General Safety Information

1. The appliance installation must conform with local codes, or in the absence of local codes, with CSA B149.1 (in Canada) or the National Fuel Gas Code ANSI Z223.1 in the USA. This appliance should be installed by a qualified gas fitter technician only.
2. Installation and repair should be done by a qualified service person.
3. The appliance should be inspected before use and at least annually by a professional service person. More frequent cleaning may be required due to lint from carpeting, bedding material, animal hair, etc. It is imperative that you keep control compartments, burners, and circulating air passageways of the appliance clean.
4. See general construction and assembly instructions. Install this appliance in a vented, non-combustible fireplace only.
5. This appliance is listed for bedroom installations when used with a listed Millivolt thermostat. Some areas may have further requirements; check local codes before installation.
6. Always vent this insert to the outside of the building envelope - never vent to another room or inside a building. Make sure that the vent is properly sized and of adequate height to provide the proper draft.
7. Inspect the venting system annually for blockages and any signs of deterioration.
8. Any glass removed for servicing must be replaced prior to operating the appliance.
9. To prevent injury, do not allow anyone unfamiliar with its operation to use the fireplace.
10. This appliance cannot be operated without brick or enamel panels.
11. Due to high temperatures, the appliance should be located out of high traffic areas and away from furniture and draperies. Children and adults should be alerted to the hazards of high surface temperatures, especially the fireplace glass and gold trims, and should stay away to avoid burns or clothing ignition. Young children should be carefully supervised while in the same room as the appliance. Clothing or other flammable material should not be placed on or near the appliance.

WARNING Failure to position the parts in accordance with the diagrams in this manual or failure to use only parts specifically approved with this appliance may result in property damage or personal injury.

Installation Checklist

Before installing the vent system, ensure that the damper plate is open and secure to prevent it from falling and crushing the liner.

The Regency gas insert is installed as listed.

1. Check all clearances to combustibles. Refer to sections "Minimum Fireplace Dimensions" and "Minimum Clearances to Combustibles".
2. Make the gas connection. Refer to section "Gas Connection".
3. Install the two liners (3" intake and 4" exhaust) to the sliding connector plate. Refer to section "Flue Collar Installation/Removal".
4. Slide the unit halfway into the fireplace.
5. Pull the vent connector plate through the tapered brackets and fasten it to the front plate. Refer to section "Flue Collar Installation/Removal."
6. Slide the unit fully into the fireplace. Level if necessary.
7. Test gas pressure. Refer to section "Gas Pipe Pressure Testing". Check aeration system. Refer to section "Air Shutter Adjustment".
8. Install standard and optional features. Refer to the following sections:
 - a. Panel Installation
 - b. Log Set Installation
 - c. Faceplate Installation
 - d. Minimum Clearances to Combustibles
 - e. Minimum Fireplace Opening Sizes with Varying Faceplate/Backing Plate Options
 - f. Conversion from Natural Gas to Propane
9. Final check: Before leaving this unit with the customer, the installer must ensure that the appliance is firing correctly. This includes:
 - a) Clocking the appliance to ensure the correct firing rate.
 - b) Adjusting the primary air, if required, to ensure that the flame does not carbon. See "Gas Insert Aeration System" section.
 - c) Ensuring that the appliance is venting correctly.

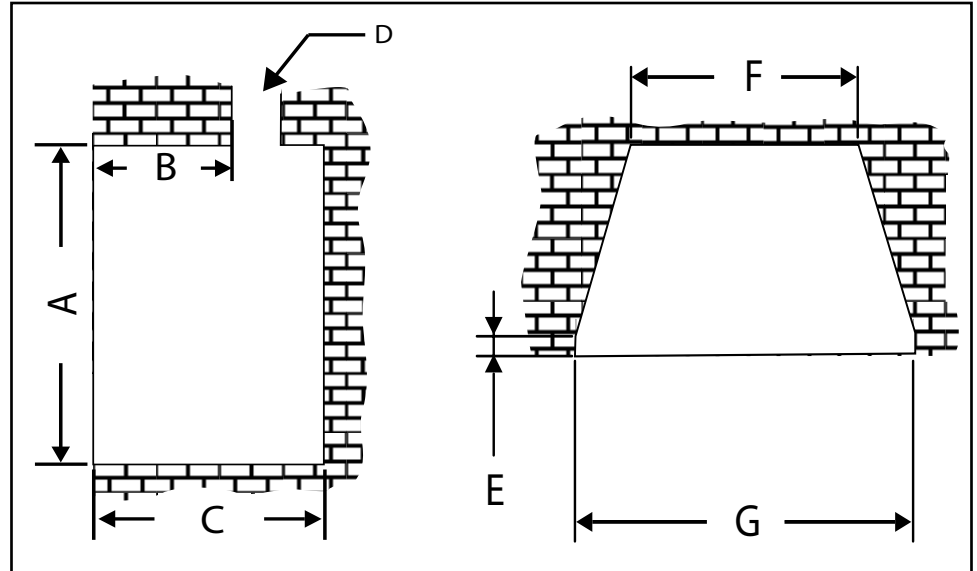
Materials Required

A 120-Volt AC power cord is hooked up to the IFC. Plug the three-wire cord into a suitable receptacle. Do not cut the ground terminal off under any circumstances. The appliance must be electrically grounded in accordance with local codes, the current version of CSA C22.1 (in Canada), or in the absence of local codes, with the National Electrical Code ANSI/NFPA 70-1987.

Minimum Fireplace Dimensions

The minimum fireplace clearances & dimensions for the Regency gas insert are shown in the following diagram:

NOTE Also, see minimum fireplace opening sizes with varying faceplate, finishing trim, and backing plate options on the next page.



A Height	B Max. Lintel Bar Depth	C Depth	D Damper Opening	E Front Depth to Taper	F Width (rear)	G Width (front)
24" (610 mm)	12-1/4" (311 mm)	18" (457 mm)	9" x 5" min. (229 mm x 127 mm)	3-1/2" (89 mm)	22-3/8" (568 mm)	33" (878 mm)

Electrical Receptacle in a Masonry Fireplace

The electrical receptacle can be placed on the left or right side of the unit within the masonry enclosure, respecting the following conditions:

1. Distance from the receptacle face to the gas insert: minimum 3" (76 mm)
2. Place the receptacle as far back as possible, so that it is near the back of the gas insert when installed.
3. Height from the top of the receptacle to the floor of the masonry fireplace: maximum 3.5" (89 mm)
4. The receptacle box and receptacle cover must be made of metal.
5. Where the 120-volt fan assembly power cord exits toward the receptacle, it must not come into contact with the back or sides of the gas insert. It can only touch the faceplate.

When installed, this appliance must be grounded in accordance with local codes, or in their absence, the National Electrical Code ANSI/NFPA 70, or the Canadian Electrical code CSA C22.1.

IMPORTANT Check with your local inspector before starting this installation, as some jurisdictions may not allow placement of this receptacle within a masonry chimney.

installer's information

Hardwire Kit Installation

IMPORTANT

- Electrical power must be brought to the appliance by a licensed electrician.
- This kit must be installed in accordance with local electrical codes. Consult your local building official for any requirements that must be met in your area.
- Make sure the electrical lead leading to the insert has been disabled prior to installing this kit.

The 946-854 Hardwire Kit contains the following:

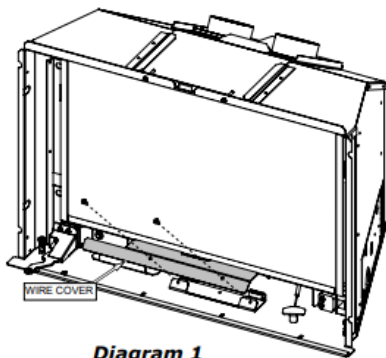
	Part #	Description	Qty
1	911-434	Armored Cable - 12/2 AC90 10ft (3m)	1
2	905-114	Adapter Right Angle Zinc 3/8"	1
3	904-687	Connector Clamp 3/8 CI-804	1
4	911-432	Wire Harness Gas Hardwire Kit	1
5	166-451	Hardwire Plate*	1
6	910-199	Clip Wire Holder	1
7	911-252	Twist-On Wire Connector	3
8	911-249	Anti Short Bushing #0 Red	2
9	904-553	Screw #8 x 1/2 Type B Black Oxide*	2
10	904-187	Cable Tie Black (CV100W)	1
11	920-833	Instruction Sheet	1

* Only required for Gi25LE/Gi27LE/Gi29LE/Gi33LE Models.

Shut off the gas and disconnect electrical supply to the unit before beginning.

Remove safety screen and glass front. See manual.

Gi27LE & Gi25LE

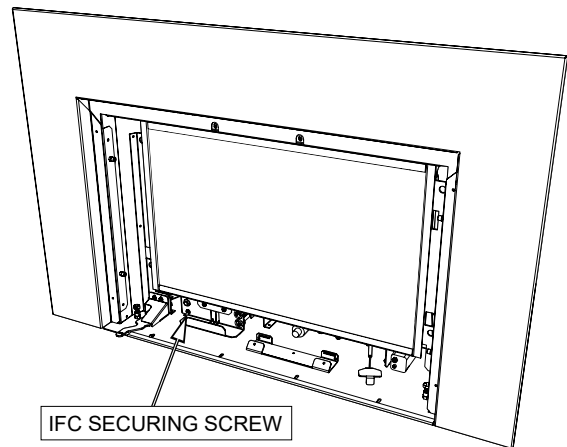


1. Remove the left side cover (loosen the top two screws and lift up and out).

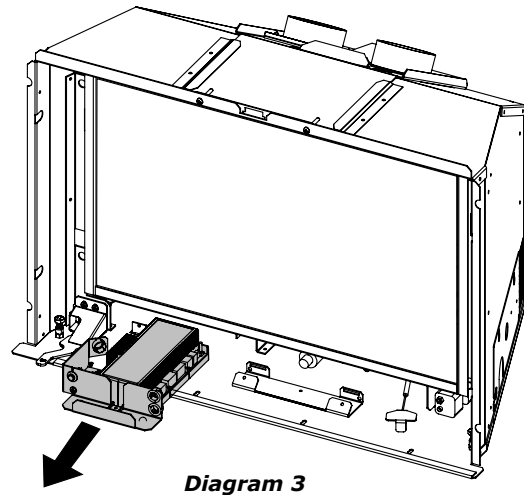


2. Remove the screw that secures the IFC and pull IFC out to access the main power harness.

Gi29LE & Gi33LE – Unplug fan & lights (X10) to allow for better access to the IFC.

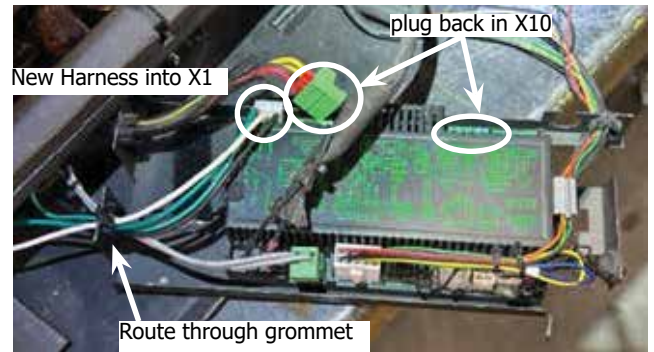
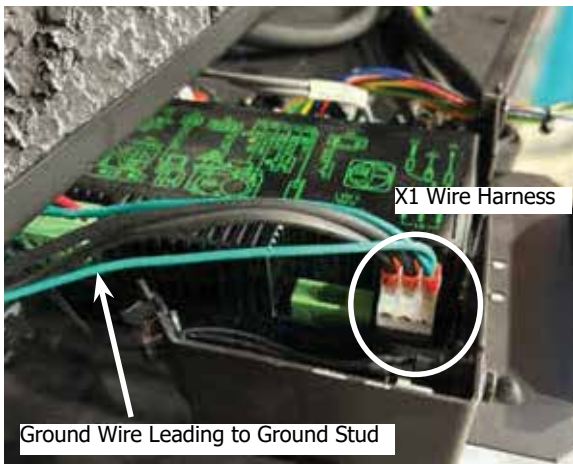


Pull the IFC out.



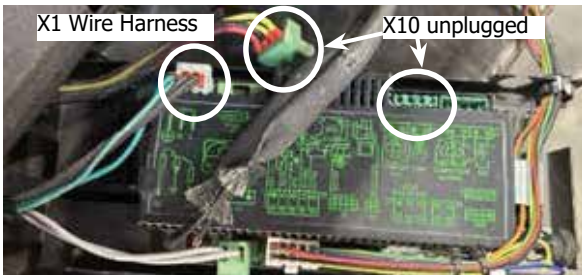
installer's information

- Unplug the main power harness (X1) and disconnect the ground wire from the ground stud.



- Connect the ground wire of the new harness back onto the ground stud.
- Gi29 & Gi33LE** - plug the fan & light harness (X10) back into the IFC as you slide the IFC in place.
- Install armored cable onto bracket.

Gi29LE & Gi33LE

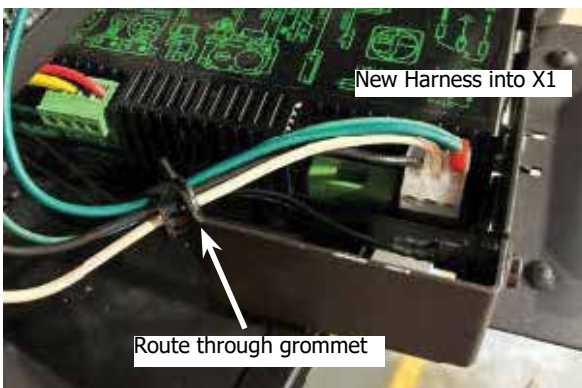


- Remove the plug and harness from the side cover and discard.
- Install the wire harness provided back into X1 and route it through the grommet.



- Install bracket onto side cover. Two holes may have to be drilled using a 1/8" bit prior to install, using the bracket as a template.

Gi25LE & Gi27LE



installer's information

10. Connect the main harness wires (X1) to the armored cable. Make the connections according to color; neutral (white), live (black) and ground wires (green & bare copper) between the main harness (X1) and the armored cable.

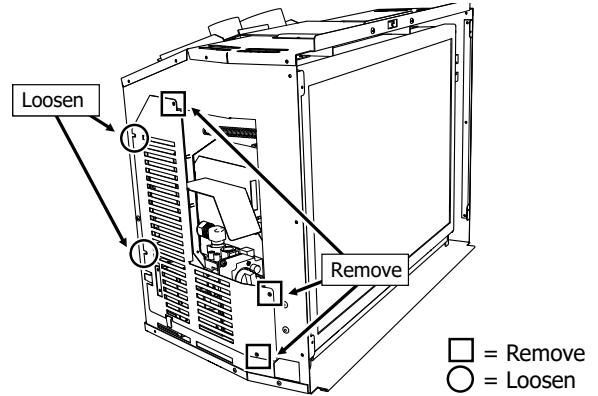


11. Tuck wires neatly into the unit and re-install the side cover.

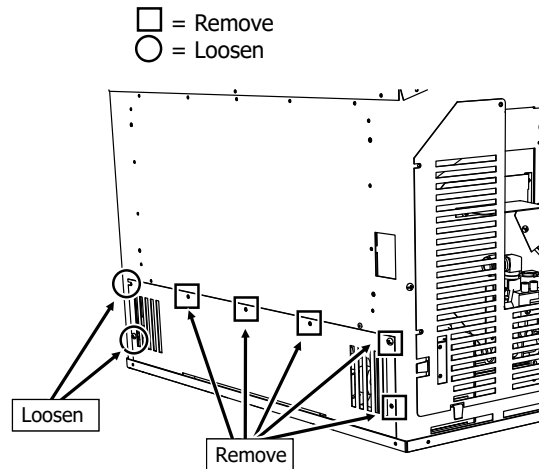


LRi3E/HRi3E

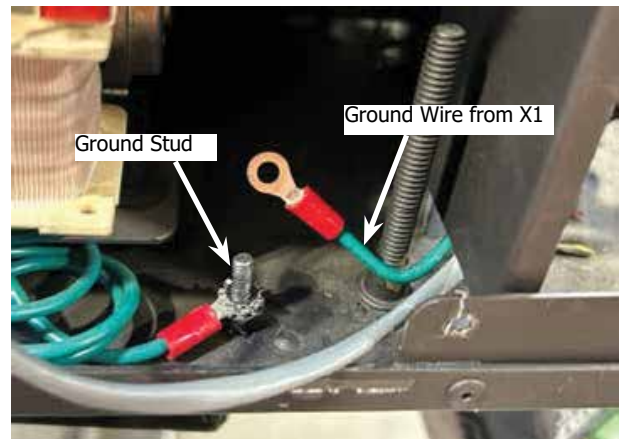
1. Remove the left control panel cover (5 screws).



2. Remove 5 screws and loosen 2 screws along the bottom to remove fan access panel.



3. Remove ground wire of main harness (X1) from the ground stud.



installer's information

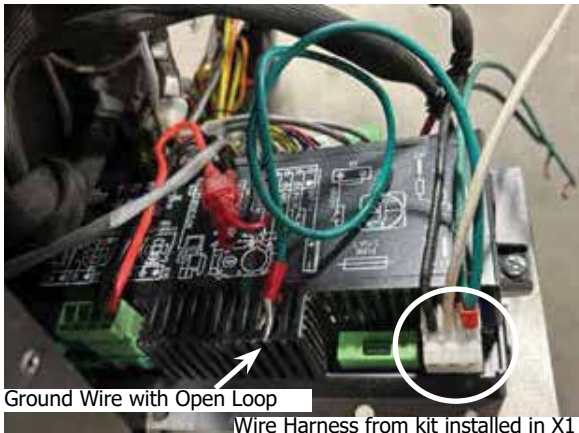
4. Remove the IFC (2 screws).



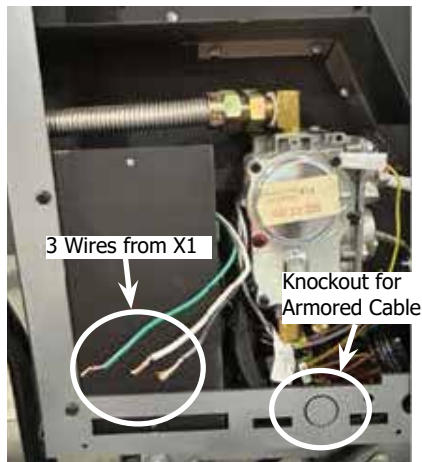
10. Install the armored cable then connect the neutral (white), live (black) and ground wires (green & bare copper) to the main harness (X1).
11. Tuck wires under the valve then re-install the control panel cover.



5. Remove main wire harness (X1) from the ICF and replace with one provided in the kit.

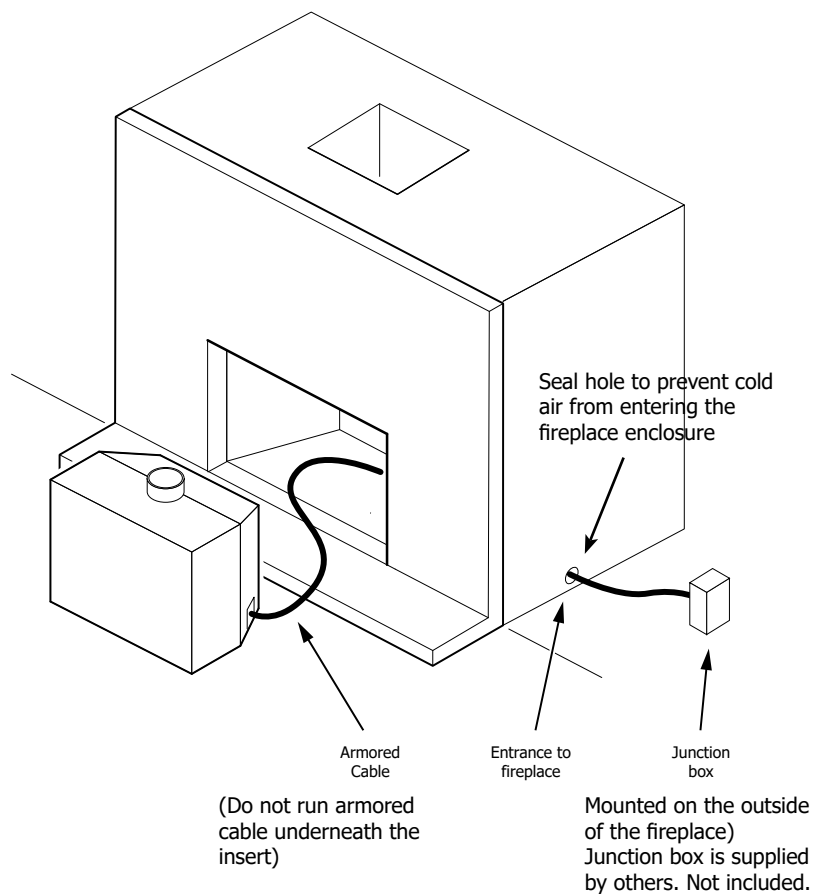


6. Re-install ground wire with open loop back onto ground stud.
7. Remove the plug and harness from the unit and discard.
8. Re-install the IFC (two screws) with the 3 wires of the main harness (X1) routed out.
9. Remove the knockout from the unit for armored cable installation.



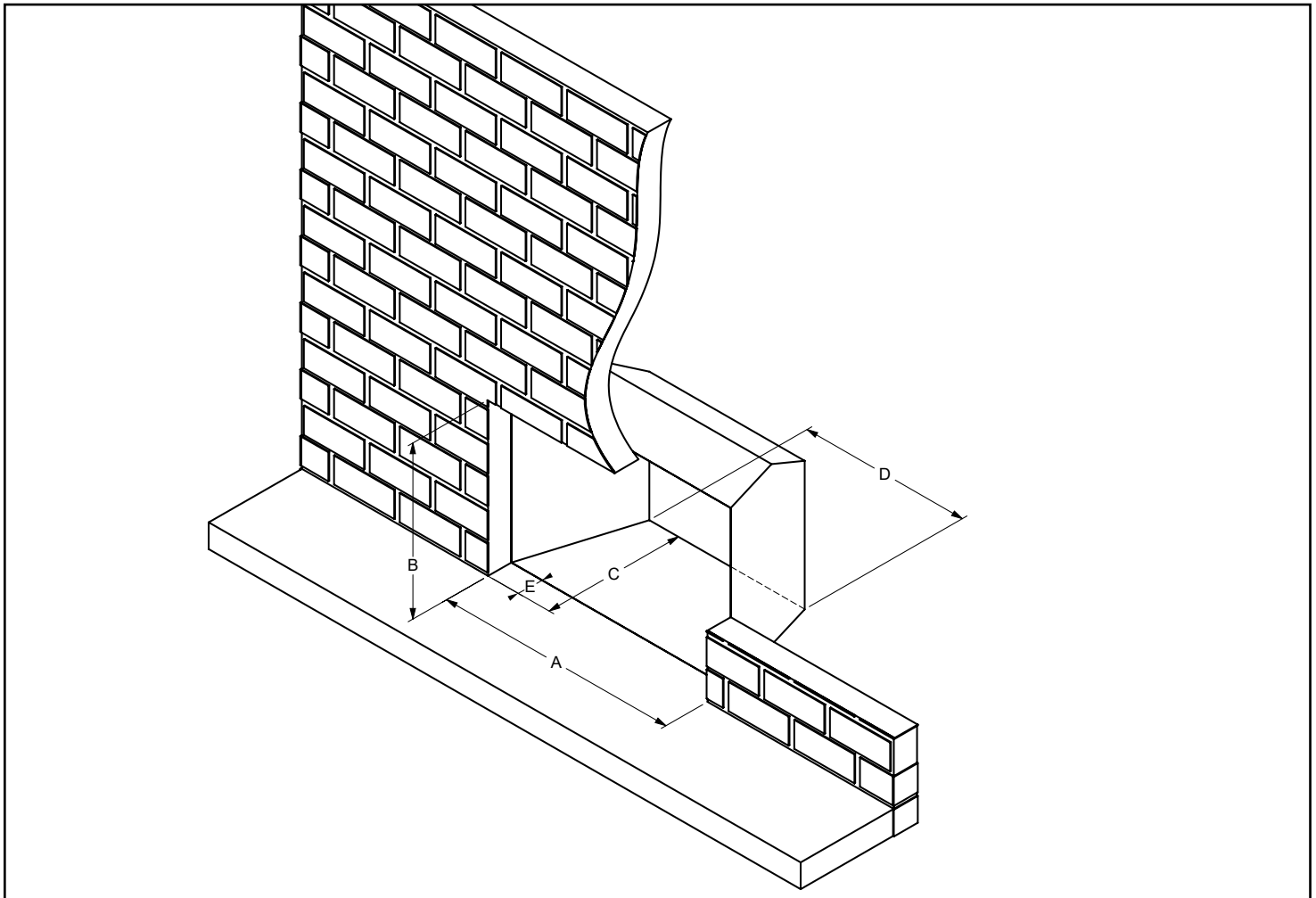
installer's information

12. The gas insert should be placed on the fireplace hearth in position to access the left/right side of the insert depending on model.
13. Route the conduit on the wiring harness through the fireplace to a junction box outside of the fireplace.
NOTE: Leave extra slack in the conduit to allow for servicing of the gas insert. When placing the gas insert into place, route the conduit away from the insert to prevent it from contacting or being pinched by the insert.
14. Install gas liner and optional accessories to complete the installation.



NOTE: Shown with armored cable on the right side. Depending on model: may be on left side.

Minimum Fireplace Opening Sizes with Varying Faceplate/Backing Plate Options



Faceplate	Dimensions				
	Minimum Install Width (A)	Minimum Install Height (B)	Minimum Install Depth (C)	Minimum Rear Width (D)	Taper Depth (E)
Regular Faceplate	33" (838 mm)	24" (610 mm)	18" (457 mm)	22-3/8" (568 mm)	3-1/2" (89 mm)
Regular Faceplate w/ Backing Plate	34-7/8" (886 mm)	25-1/4" (641 mm)	17-7/8" (454 mm)	22-3/8" (568 mm)	4-1/8" (105 mm)
Regular Faceplate w/ Premium Surround	33" (838 mm)	24" (610 mm)	17-3/4" (451 mm)	22-3/8" (568 mm)	3-3/16" (81 mm)
Regular Faceplate w/ Premium Surround and Backing Plate	34-7/8" (886 mm)	25-1/4" (641 mm)	17-5/8" (448 mm)	22-3/8" (568 mm)	4-1/8" (105 mm)
Flush Faceplate	34-1/8" (867 mm)	24-7/8" (632 mm)	19-3/16" (487 mm)	22-3/8" (568 mm)	4-1/2" (114 mm)
Flush Faceplate w/Traditional Surround	33" (838 mm)	24" (610 mm)	17-1/8" (435 mm)	22-3/8" (568 mm)	2-1/2" (64 mm)
Flush Faceplate w/Traditional Surround and Backing Plate	34-7/8" (886 mm)	25-1/4" (641 mm)	17" (432 mm)	22-3/8" (568 mm)	4-1/8" (105 mm)
Flush Faceplate w/ Backing Plate	34-7/8" (886 mm)	25-1/4" (641 mm)	19-1/8" (486 mm)	22-3/8" (568 mm)	4-3/8" (111 mm)
4-Sided Flush Faceplate	34-1/8" (867 mm)	25" (635 mm)	19-1/4" (489 mm)	22-3/8" (568 mm)	4-1/2" (114 mm)
Finishing Trim	34-3/16" (868 mm)	24-7/8" (632 mm)	19-1/4" (489 mm)	22-3/8" (568 mm)	4-1/2" (114 mm)
Finishing Trim w/ Backing Plate	34-7/8" (886 mm)	25-1/4" (641 mm)	19-3/16" (487 mm)	22-3/8" (568 mm)	4-1/8" (105 mm)
4-Sided Finishing Trim	34-3/16" (868 mm)	25" (635 mm)	19-1/4" (489 mm)	22-3/8" (568 mm)	4-1/2" (114 mm)

installation

Minimum Clearances to Combustibles

The clearances listed below are minimum distances unless otherwise stated.

A major cause of fires is failure to maintain required clearances (airspace) to combustible materials. It is of the greatest importance that this appliance is installed only in accordance with these instructions.

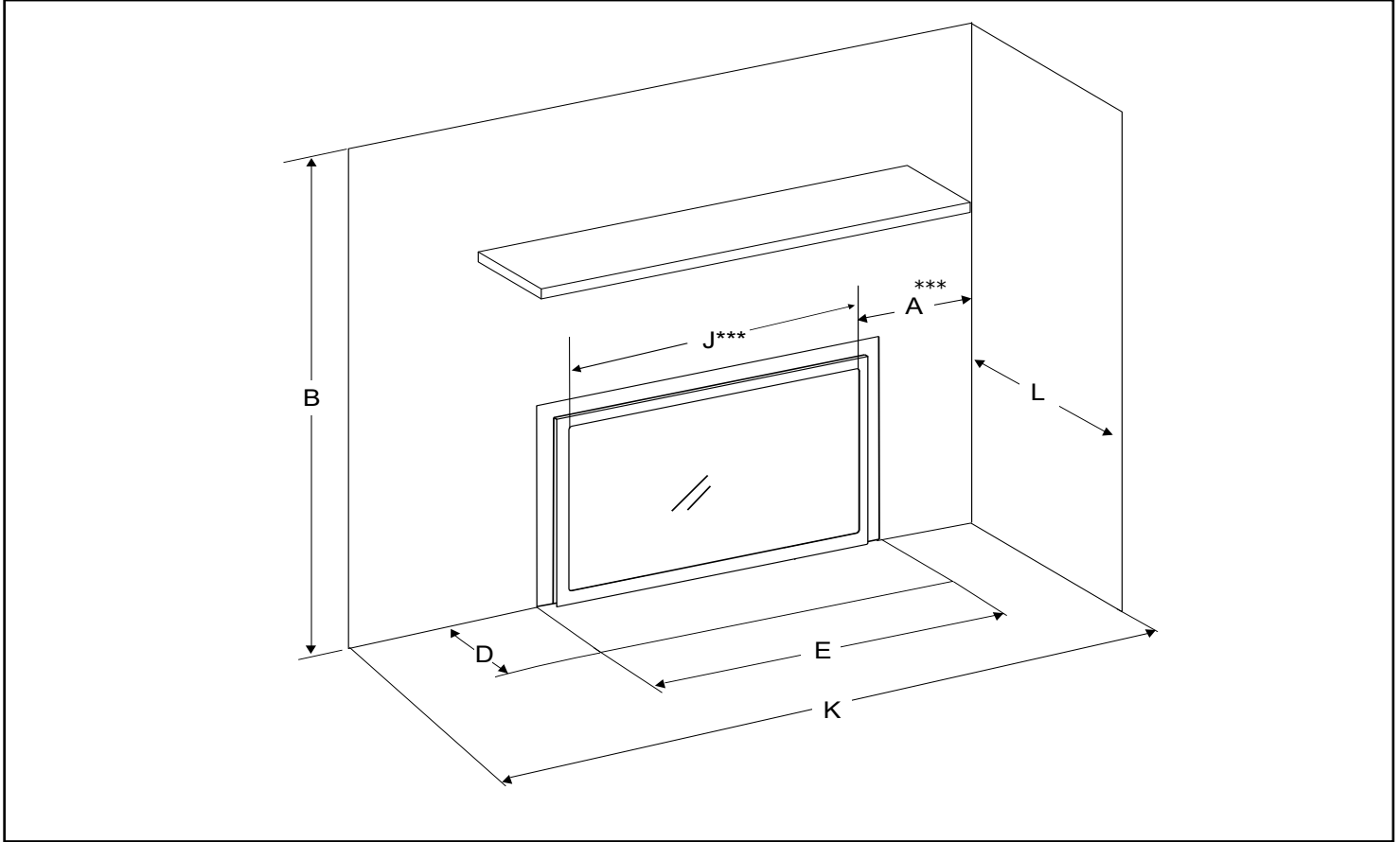


Diagram 1

Clearance	Dimension	Measured From:
A: Sidewall	8" / 203 mm	***From inside edge of faceplate / doors
B: Ceiling	60" / 1524 mm	From base of unit
D: Min. Hearth Depth	12" / 305 mm	Not required if unit raised 2" (51 mm) off the floor.
E: Min. Hearth Width	36" / 914 mm	Not required if unit raised 2" (51 mm) off the floor.
K: Min. Alcove Width	56" / 1422 mm	
L: Max. Alcove Depth	36" / 914 mm	From the front of the unit.
M: Mantel Deflector	3-1/2" / 89 mm*	

NOTES

- A 36" (914 mm) wide x 12" (305 mm) deep, non-combustible hearth is required in front of the appliance unless the unit is raised 2" (51 mm) off the floor.
- *An optional 3-1/2" (89 mm) mantel deflector reduces the mantel height to 12.5" (318 mm) from the top of the unit @ 1" (25 mm) depth.
- (J): ***Measured from the inside edge of the faceplate/doors - reference only: 30-1/4" (768 mm)

Mantel Clearances Without Mantel Deflector | Mantel Clearances with 3-1/2" Mantel Deflector

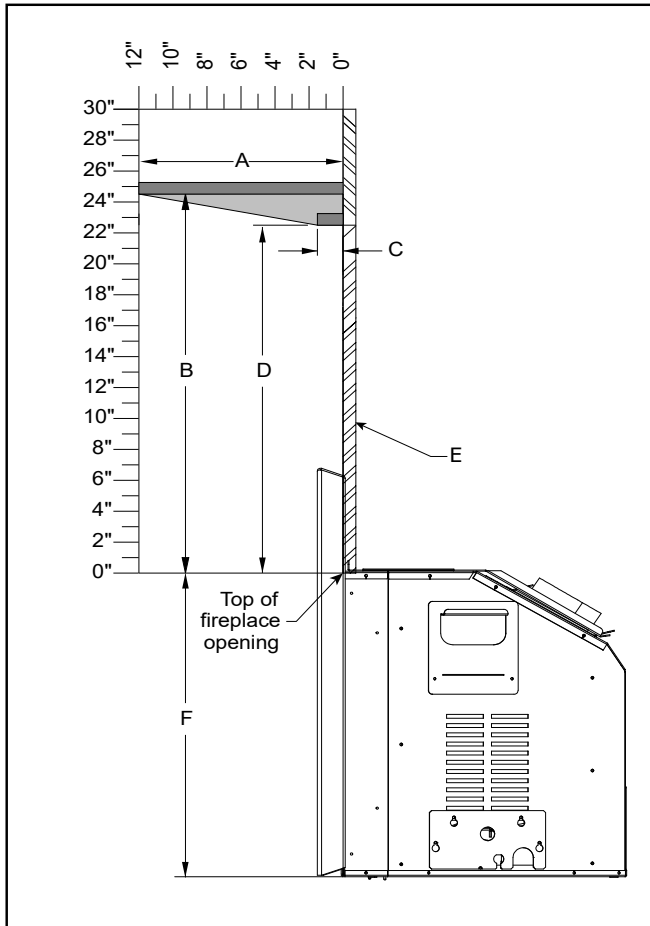


Diagram 2

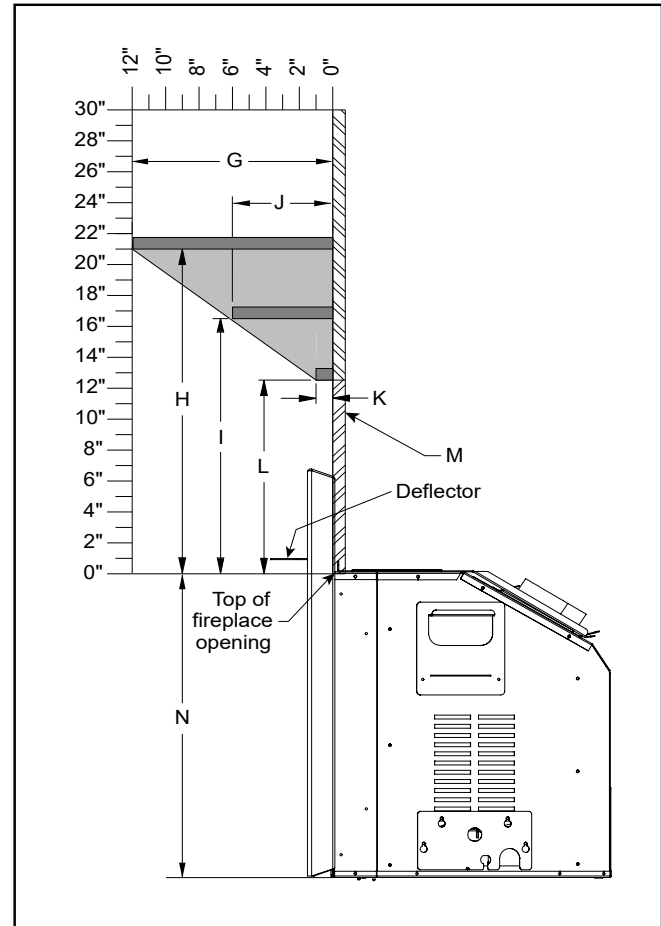


Diagram 3

A	12" (305 mm)
B	24-1/2" (610 mm)
C	1-1/2" (38 mm)
D	22-1/2" (572 mm)

E	Non Combustible Materials
F	23-1/2" (597 mm) to base of unit

G	12" (305 mm)
H	21" (533 mm)
I	16-1/2" (420 mm)
J	6" (152 mm)

K	1" (25 mm)
L	12-1/2" (318 mm)
M	Non Combustible
N	23-1/2" (597 mm) to base of unit

WARNING Although this appliance passes safety certification, the hearth in front of the fireplace becomes very hot when the fireplace heats. Do not use the hearth as a seat or shelf.

NOTES

- A 3-1/2" (89 mm) mantel deflector reduces mantel height to 12.5" (318 mm) from the bottom of the unit at 1" (25 mm) depth.
- A non-combustible mantel may be installed at a lower height if the framing is made of metal studs covered with a non-combustible board. The non-combustible mantel, when installed at a lower overall height, may not be lower than 6" (152 mm) from the top of the fireplace opening.
- All material used must be non-combustible.

installation

Using Steel Studs and Concrete Board Over Masonry Brick Fireplace

The masonry front brick facing can be removed and replaced with non-combustible materials such as steel studs and concrete board/dura rock/micor board as per diagram 1, only if safe to do so. Steel stud may also be placed in front of the masonry brick if left in place. This is the preferred method depending on the condition of the masonry brick fireplace.

The opening between the front of the masonry firebox and non-combustible materials such as steel studs must be sealed so heat cannot run between the face of the masonry fireplace and the refacing materials. Only finishing materials such as tile, stone, brick, or similar materials that are non-combustible may be used. Use materials that are uniform so that when the unit is positioned, there are no visible gaps on the sides or top of the surround.

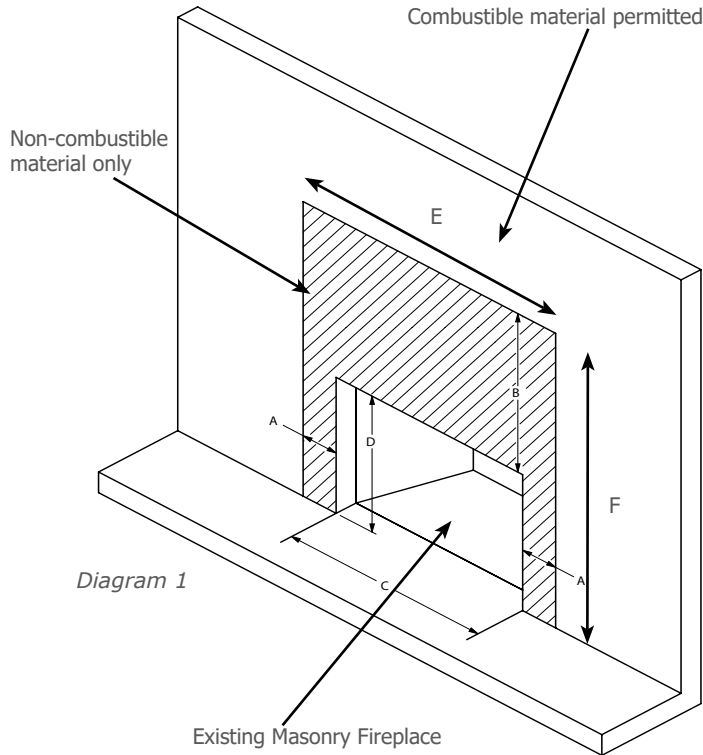


Diagram 1

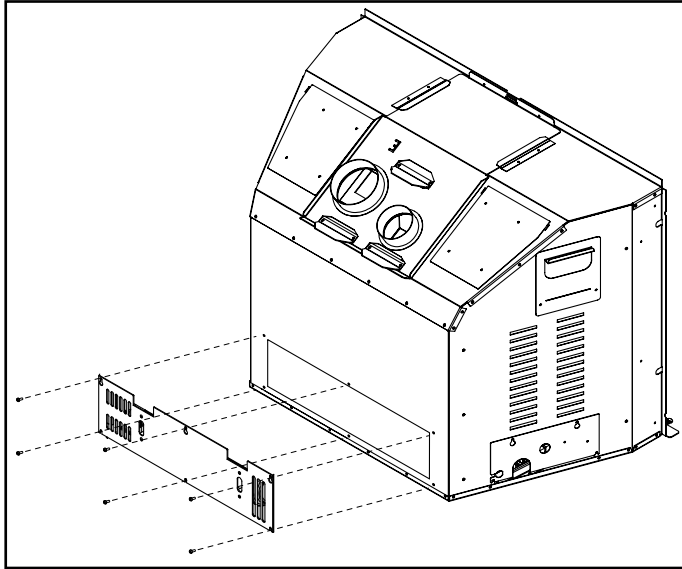
DIMENSIONS	
A - Horizontal clearance	8" (203 mm)
B - Vertical clearance	25-1/4" (642 mm)
C - Opening Width	34" (864 mm)
D - Opening Height	24-3/4" (629 mm)
E - Minimum Total Width	50" (1270 mm)
F - Minimum Total Height	50" (1270 mm)

- Combustible Facing Over Combustible Framing
- Non-Combustible Facing Over Non-Combustible Framing

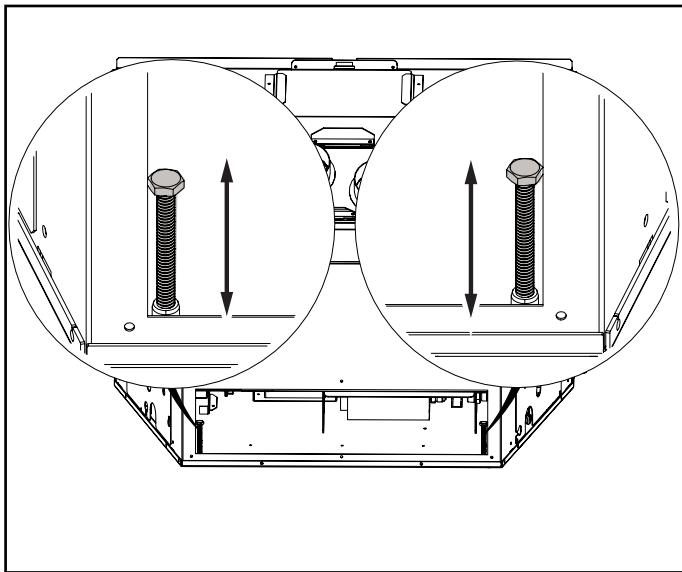
Leveling Legs Adjustment

NOTE The leveling of the appliance must be done prior to hooking up gas line and vent system.

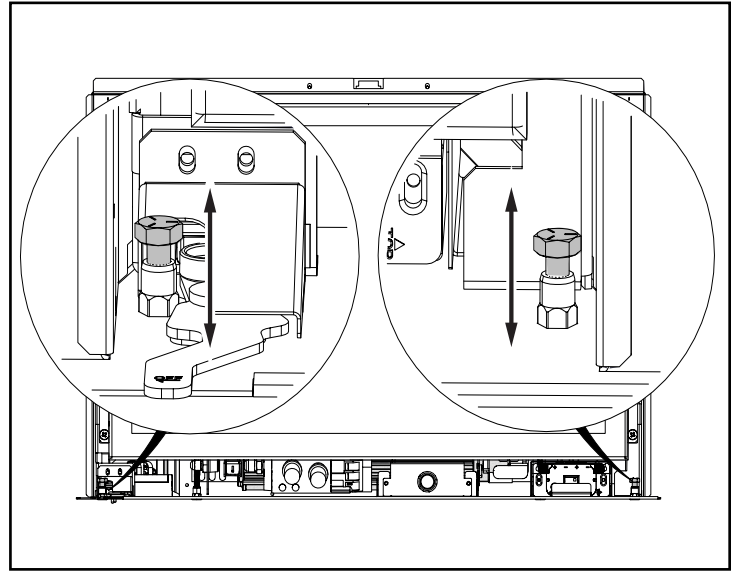
1. The leveling bolts can be installed with bolts from above or below (preferred method) to level the appliance. If choosing to go above, follow steps below. If choosing to go from below, see step 5. From the back of the unit, remove the six screws, then lift the fan mount plate out.



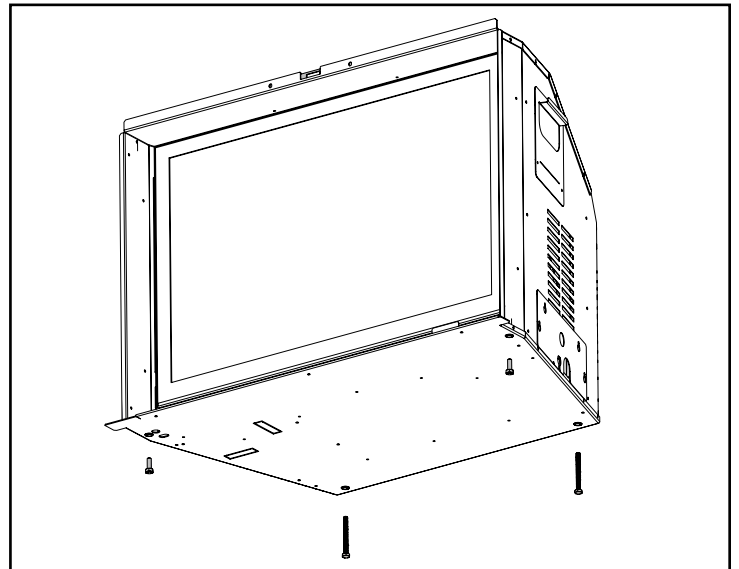
2. Screw the 2 2-1/2" (64 mm) bolts supplied inside manual package to the 2 nutserts located at the rear corners of appliance. Using a 7/16" wrench or socket, tighten or loosen the bolts as needed. The rear bolts can be adjusted up to 2-1/8".
3. Reinstall the fan mount plate.



4. The front leveling bolts can be accessed from the front of the insert, on the bottom left and right sides. Once it is in position, adjust the bolts to ensure the appliance is level and won't rock.



5. From below: The bolts can be flipped around and installed from the bottom of the insert for extended length. Once it is in position, adjust the bolts to ensure the appliance is level and won't rock.

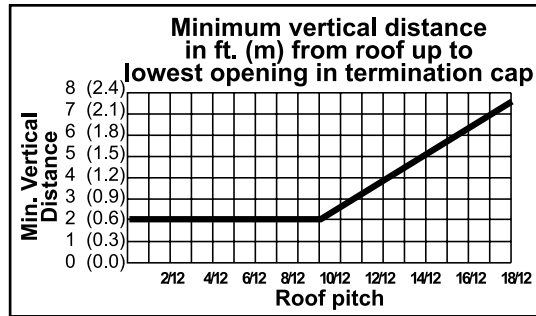
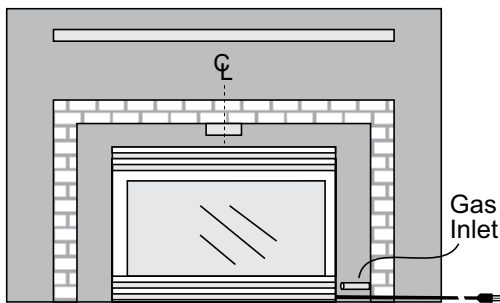


installation

Gas Connection

WARNING Only people licensed to work with gas piping may make the gas connections to this appliance.

1. If the appliance is installed into an existing chimney system, thoroughly clean the masonry or factory-built fireplace.
2. The appliance has an opening on the right side of the control compartment. A 3/8" NPT gas supply pipe must be brought near the opening.
3. Locate the centre point where the vent will pass through the chimney, above the appliance. Move the appliance to the installation location. Ensure that the insert is level.
4. Do not cut any sheet metal parts of the fireplace into which the gas insert will be installed.
5. If the factory-built fireplace has no gas access hole(s), drill one of 1-1/2" (37-1/2 mm) or less through the lower sides or bottom of the firebox. The access hole must be plugged with non-combustible insulation after the gas supply line is installed.



IMPORTANT This appliance was tested and certified as a complete system with the noted termination caps and flex liner. Only the listed termination caps/flex liner noted below can be used. Use of termination caps or flex liners not listed in this manual will void the warranty and certification of this appliance. It is also important not to enclose the termination cap inside a masonry chimney rain cap, or similar. The termination must be exposed on all four sides and above to exhaust and draw air into the firebox.

Part #	Description
948-305	3" Flex - 35 ft.
948-336	4" Flex - 35 ft. (exhaust)
946-588	Co-linear DV Vertical Termination Cap

For Alternate Approved Vertical Termination Caps, see next page.

Vertical Venting

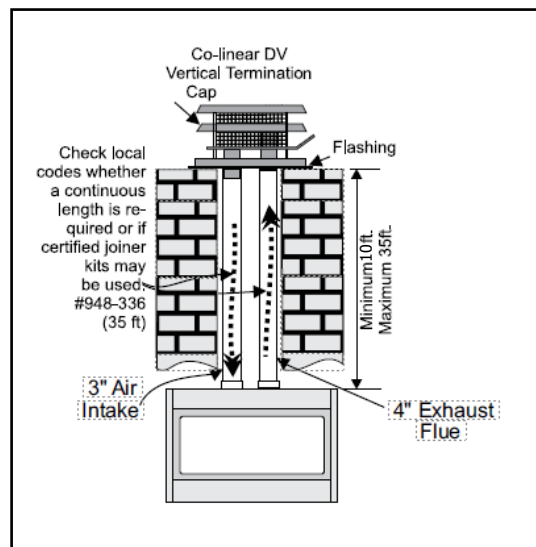
THE APPLIANCE MUST NOT BE CONNECTED TO A CHIMNEY FLUE SERVING A SEPARATE SOLID FUEL BURNING APPLIANCE.

This appliance is designed to attach to 3" (76 mm) and 4" (102 mm) co-linear aluminum flex running the full length of the chimney. The flue length must be a minimum of 10' (3.05 m) and a maximum of 35' (10.7 m) long. See the chart below for minimum distances from the roof. Periodically check that the vent is unrestricted.

Masonry chimneys may take various contours which the flexible liner will accommodate. However, **keep the flexible liner as straight as possible** (avoid unnecessary bending).

Attach both the exhaust and intake flue liners to both the termination cap & flue collar at the appliance with a minimum of three self-tapping screws. Use Mil-Pac sealant to seal the pipes.

The air intake pipe must be attached to the inlet air collar of the termination cap.



NOTE: Flashing should be securely fastened to the chimney.

Electrical Connections

Alternate Approved Vertical Termination Caps

Alternate Approved Caps

Option 1
46DVA-CL34 - Vertical High Wind Cap With Flashing. Also includes 3" (76 mm) x 35' (10.7 m) Air Inlet Liner & 4" (102 mm) x 35' (10.7 m) Exhaust Liner

Option 2
46DVA-34CLTA Chimney Liner Conversion From Co-linear To Co-Axial (Includes Flashing)

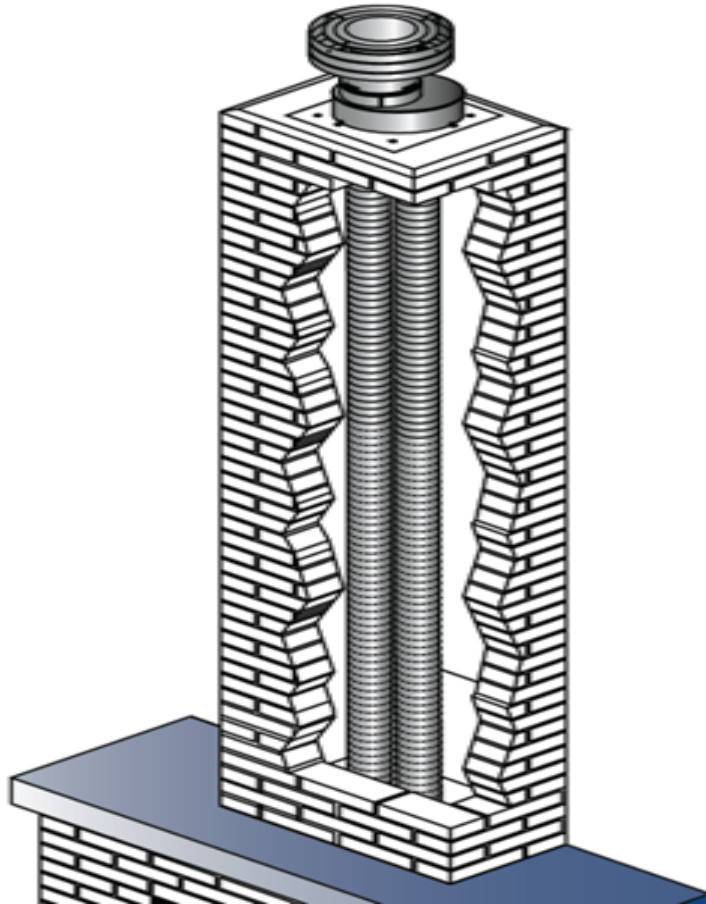
+

46DVA-VCH Vertical High Wind Cap

Note: Both Air Inlet/Exhaust Liners Would Need To Be Purchased Separately with Option 2 as they are not included.

With option 2, Simpson Duravent pipe lengths can be added if required to meet clearance requirements.

The air intake pipe must be attached to the inlet air collar of the termination cap.



installation

Restrictor Adjustment

Tools needed

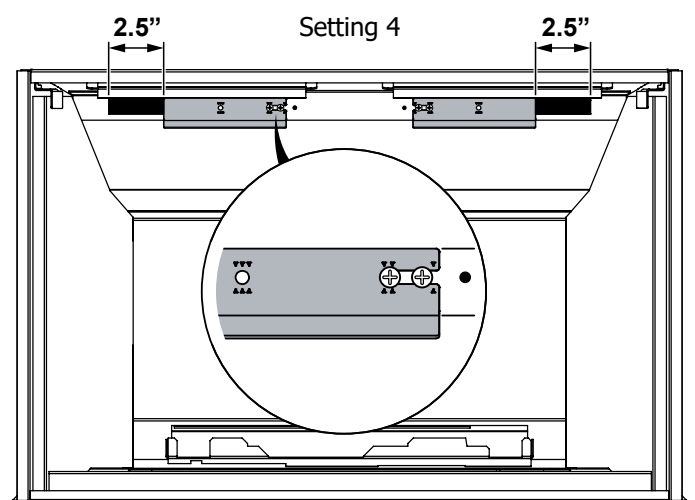
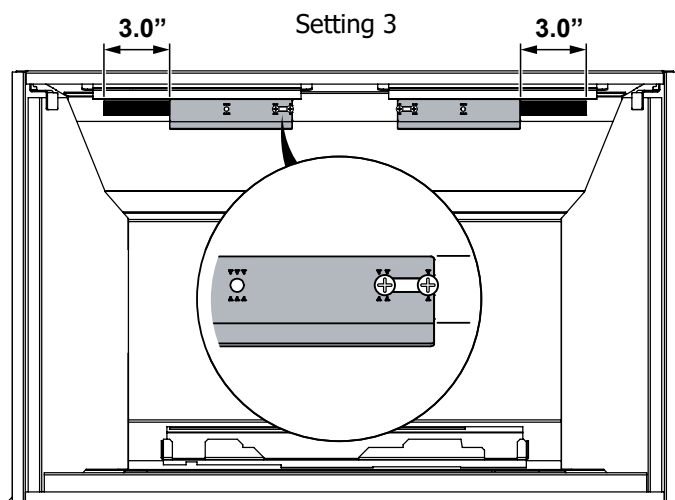
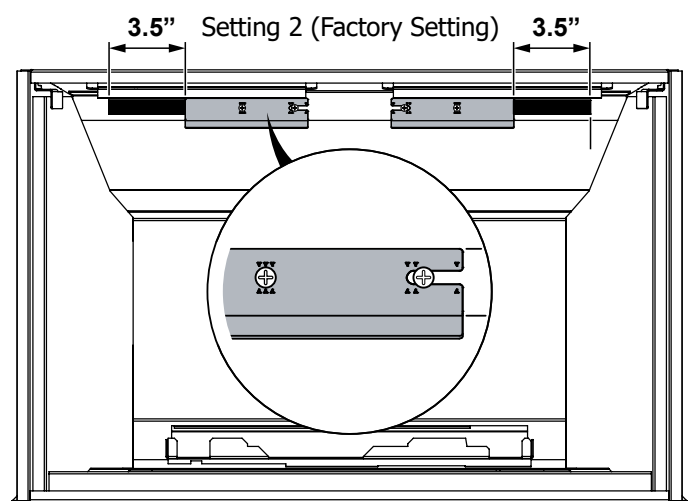
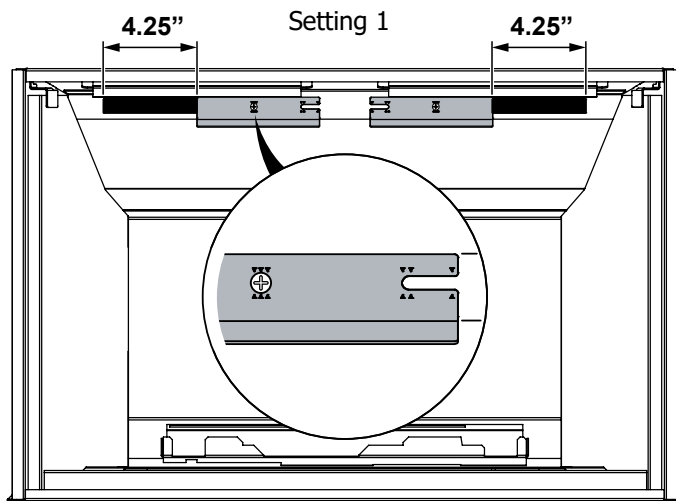
- Phillips screwdriver

1. Gently lift the screen assembly up and out. Refer to the Screen Removal section.
2. Remove the glass door. Refer to the Glass Door Removal section.
3. Refer to the vent chart to determine the restrictor setting.
4. Locate the restrictor plates and screws.
5. Use a Phillips screwdriver to loosen or remove the four screws.
6. Adjust the restrictors according to the vent chart in this manual. The notches above the holes in the baffle will match the notches on the restrictor plate.
7. Tighten the screws. Setting 1 requires one screw for each restrictor.

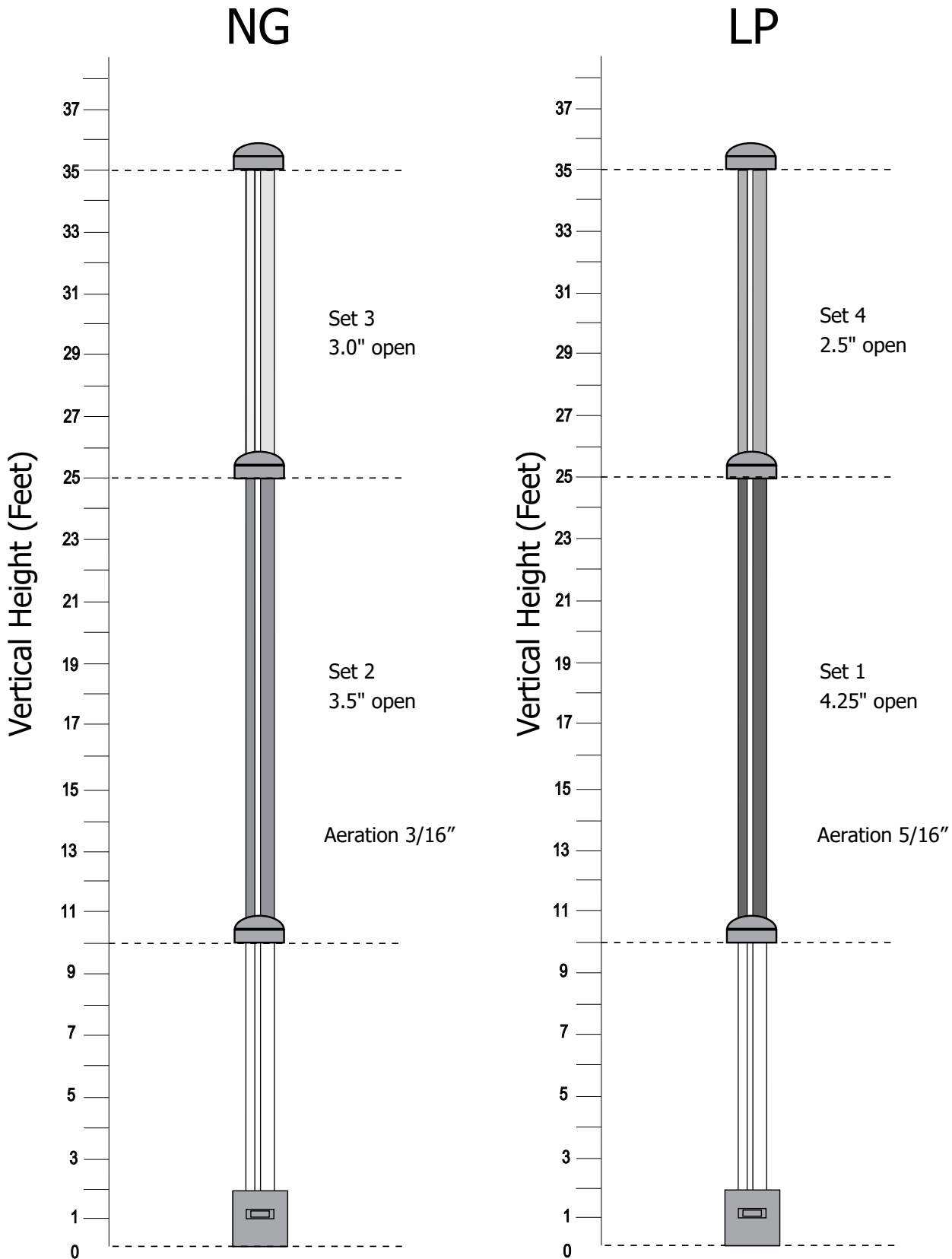
	Opening size
Setting 1	4.25"
Setting 2	3.5"
Setting 3	3.0"
Setting 4	2.5"

Note:

For horizontal termination both restrictors are removed (Full Open - 5-1/2").



Vertical Venting/Restrictor Settings for NG and LP



installation

Horizontal Co-Linear Vent Kit (Masonry Fireplaces Only)

APPLICATION

This instruction applies to the DuraVent Direct Vent Pro termination system and is intended as a supplement to the applicable Direct Vent Pro instructions. This termination and venting system and the gas appliance were tested and listed by an accredited test agency.

Kit # 46DVA-HCL34 includes:

1 Horizontal Termination Cap

Two 10' (3 m) long; 1 x 3" (76 mm) and 1 x 4" (102 mm) round liners and hardware.

The 948-128 Mil-Pac sealant must be purchased separately.

NOTE • The intake is 3" (76 mm) and the exhaust is 4" (102 mm).

INSTALL INFORMATION

The flue damper must be fully blocked open or removed if safe to do so for installation of the unit. Ensure the fireplace and chimney are clean and in good working order, and that all chimney cleanouts are tight-fitting and not permitting air into the chimney. Install a sealed vent cap and metal flashing at the top of the masonry chimney to prevent leaks and air movement within the cavity. **A vent restrictor is not required when terminating horizontally, as shown below.**

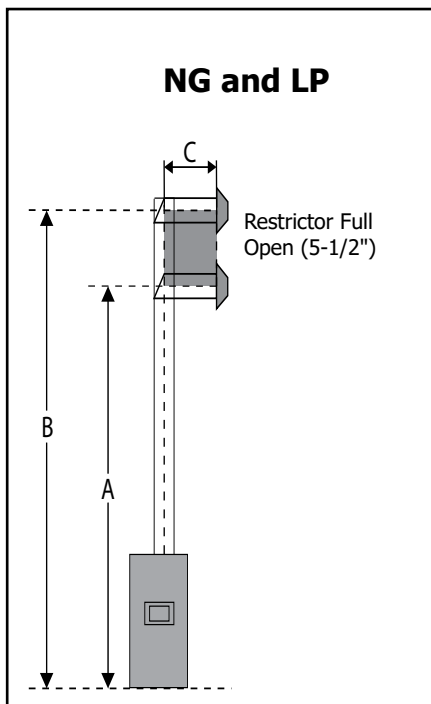
This appliance is certified for use with NG and LP when terminating horizontally. Make the hole on the outer portion of the masonry fireplace by boring it or removing bricks. Ensure that the masonry structure is safe and brick can be removed without damage to the chimney prior to proceeding. Minimum and maximum vent heights are noted below.

For complete instructions follow this link:

https://duravent.com/wp-content/uploads/2020/06/L954-SUP_820018997-DirectVent-Pro-Horizontal-Vent-Kit_03-20-20_V1.pdf [duravent.com]

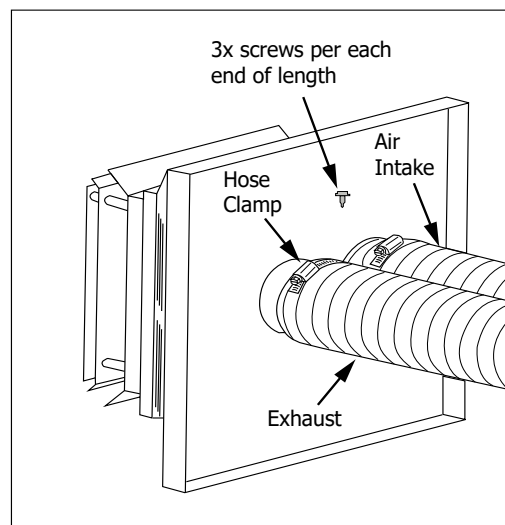
Horizontal Exterior Vent Termination Location

Clearance To Soffit (unventilated/ventilated) 24" (60 cm) Canada/USA.



DIMENSIONS	
A - Min. Height	8 ft. (2.4 m)
B - Max. Height	10 ft. (3 m)
C - Max. Horizontal	18" (457 mm)

NOTE The exhaust is located on the left side and the air intake on the right when facing the back of the termination as shown below. Seal the 4" (102 mm) flex with Mil-Pac, purchased separately.

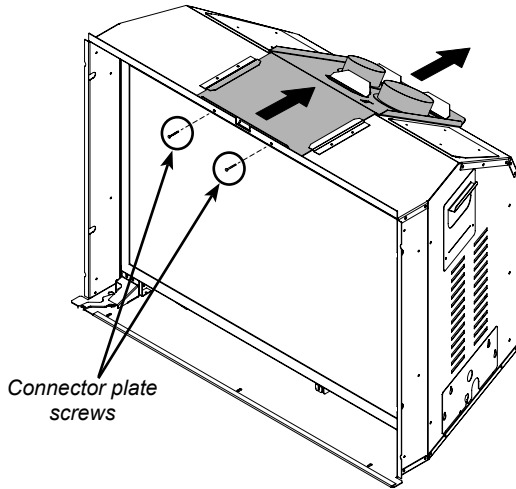


Installers must mechanically attach the supplied label to the inside of the firebox of the fireplace into which the gas fireplace insert is installed.

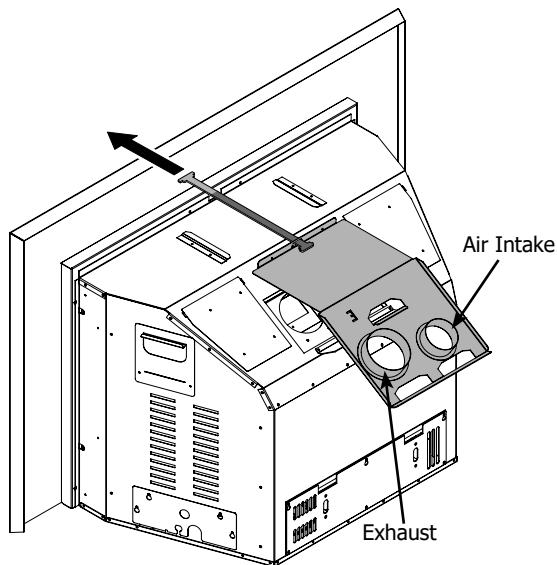
NOTE This fireplace has been converted for use with a gas fireplace insert only. It cannot be used for burning wood or solid fuels unless all original parts are replaced and the fireplace re-approved by the authority having jurisdiction.

Flue Collar Installation/Removal

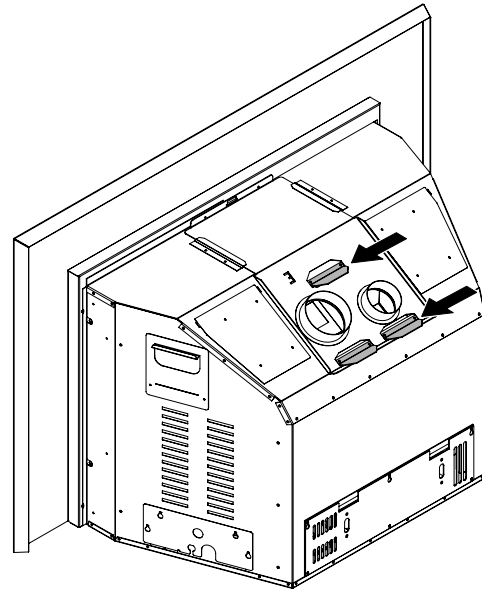
1. Detach the flue collar from the unit by removing the screws and sliding the plate backward.



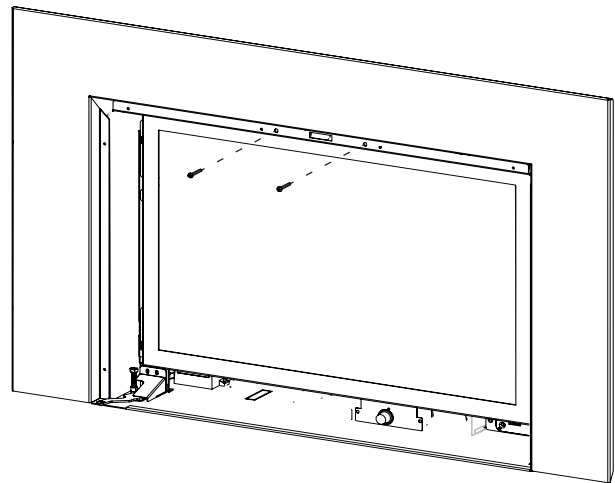
2. Attach the exhaust and intake flue liners to the flue collar with a minimum of three self-tapping screws. Use Mill-Pac sealant to seal pipes.
3. Pull the flue collar through the cutout in the top of the insert using the flue collar tool provided. See diagram 2.



4. The tabs on the insert will seal the flue collar against the intake inlet and exhaust outlet. Secure with the two screws removed in step 1.



5. Tighten the two Phillips screws to secure the collar.



NOTE

Ensure the draft hood is properly secured and screws tight to create proper seal.

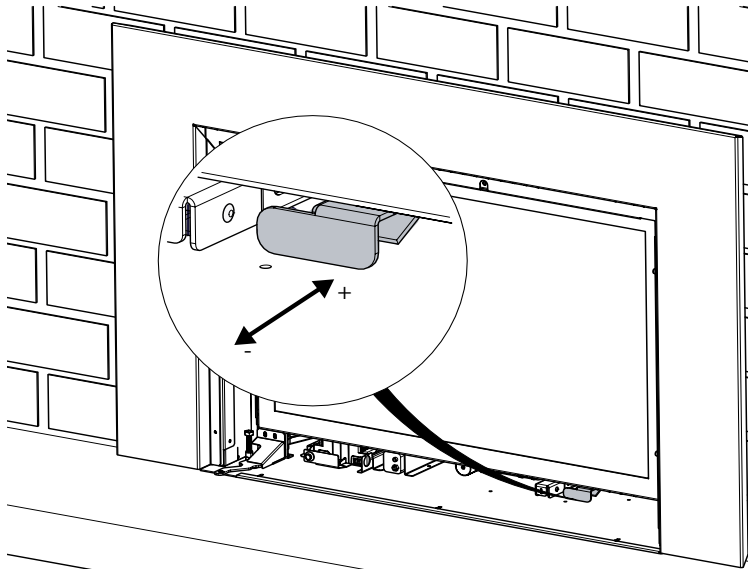
installation

Air Shutter Adjustment

The burner aeration is factory set, but may need adjustment due to altitude or the local gas supply.

Air shutters increase or decrease the amount of air mixed with fuel, affecting combustion and how the flame looks. Low primary air will create a taller, yellower flame, and higher primary air a lower, bluer flame.

Air shutter adjustment is not just for appearance - not enough primary air may lead to carboning, sooting, or a flame that reaches the top of the firebox. Units that are burning propane, installed at higher elevations, or run on high most of the time may need more primary air.



- Pull out to close air shutter
- + Push in to open the air shutter

Unit	Fuel Type	Min. Air Shutter Setting*
Gi33LE	NG	3/16" (5 mm)
Gi33LE	LP	5/16" (8 mm)

*At higher elevations, air shutter settings may have to be opened more to compensate.

CAUTION

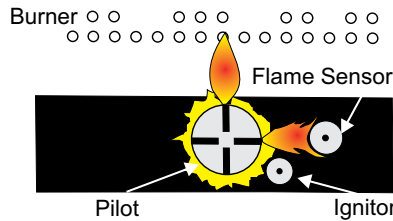
- ***Carbon will be produced if the air shutter is closed too much.**
- **Aeration adjustment should only be performed by an authorized Regency installer at the time of installation or service.**
- **Any damage due to carboning resulting from improperly setting the aeration controls is NOT covered under warranty.**

NG System Data	
Min. Supply Pressure	5" WC (1.25kPa)
Low Setting Man. Pressure	1.1 WC (0.27 kPa)
Max. Manifold Pressure	3.8" WC (0.95 kPa)
Orifice Size	#33 DMS
Minimum Input	20,500 Btu/h (6.0 kW)
Maximum Input	38,500 Btu/h (11.2 kW)

LP System Data	
Min. Supply Pressure	11" WC (2.74 kPa)
Low Setting Man. Pressure	2.9 WC (0.72 kPa)
Max. Manifold Pressure	10.5 WC (2.61 kPa)
Orifice Size	#50 DMS
Minimum Input	20,000 Btu/h (5.9 kW)
Maximum Input	36,500 Btu/h (10.7 kW)

Pilot Adjustment

Periodically check the pilot flames. Correct flame pattern has two strong blue flames: 1 flowing around the flame sensor and 1 flowing across the burner (it does not have to be touching the burner).

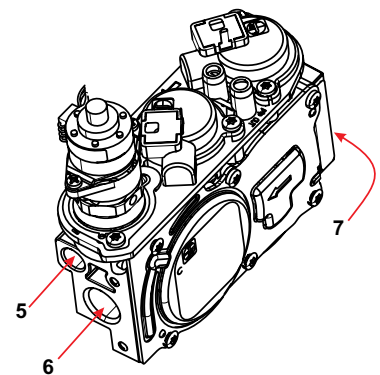
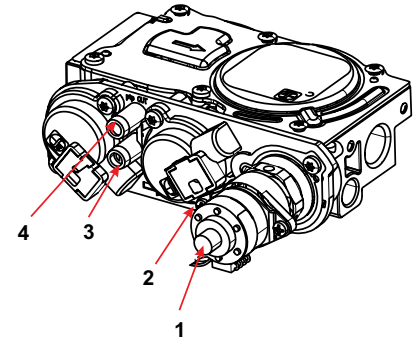


Note: If you have an incorrect flame pattern, contact your Regency® dealer for further instructions.

Incorrect flame pattern will have small, probably yellow flames, not coming into proper contact with the rear burner or flame sensor.

885 S.I.T. Valve Description

1. 6 Stage flame adjustment
2. Pilot adjustment
3. Inlet Pressure Tap
4. Outlet Pressure Tap
5. Pilot Outlet
6. Main Gas Outlet
7. Main Gas Inlet



High Elevation

This unit is approved for altitudes 0 ft. to 4,500 ft.

Gas Line Installation

Some municipalities have local codes for gas line installation. Consult with your local authorities and the CSA B149.1 installation code.

For USA installations, follow local codes and the current National Fuel Gas Code, ANSI Z223.1.

When installing copper or flex connectors, use approved fittings only. Flare nuts for copper lines and flex connectors usually meet this requirement. Provide a union for easy disconnection of gas lines when servicing.

NOTE

A shutoff/Dante valve should be supplied in or near the unit (or as per local codes) for ease of servicing this appliance.

IMPORTANT

Always check for gas leaks with a soap and water solution or gas leak detector. Do not use open flame for leak testing.

Gas Pipe Pressure Testing

It is necessary to isolate the unit from the gas supply piping system prior to gas pipe pressure testing. Close the unit's manual shutoff valve during testing at pressures equal to or less than 1/2 psig. (3.45 kPa). Disconnect the piping from the valve at pressures over 1/2 psig.

The manifold pressure is controlled by a regulator built into the gas control and should be checked at the pressure test point.

NOTE

To properly check gas pressure, both inlet and manifold pressures should be checked using the valve pressure ports on the valve.

1. Make sure the unit is in the "OFF" position.
2. Loosen the "IN" or "OUT" pressure tap(s), turning counterclockwise with a 1/8" wide flat screwdriver.
3. Attach manometer to "IN" or "OUT" pressure tap(s) using a 5/16" ID hose.
4. Turn the unit on using the remote or wall switch.
5. Do the pressure check with the unit burning. The setting should be within the limits specified on the safety label.
6. When finished reading the manometer, turn off the unit, disconnect the hose, and tighten the screw clockwise with a 1/8" flat screwdriver.

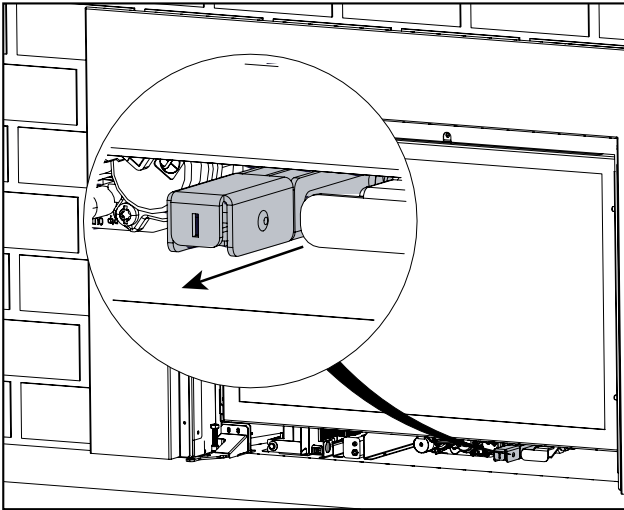
NOTE

The screw should be snug, but do not over-tighten.

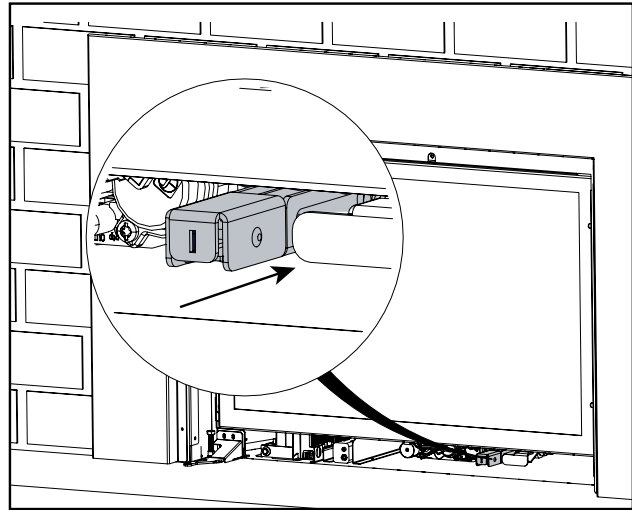
installation

Gas Shut Off Procedure

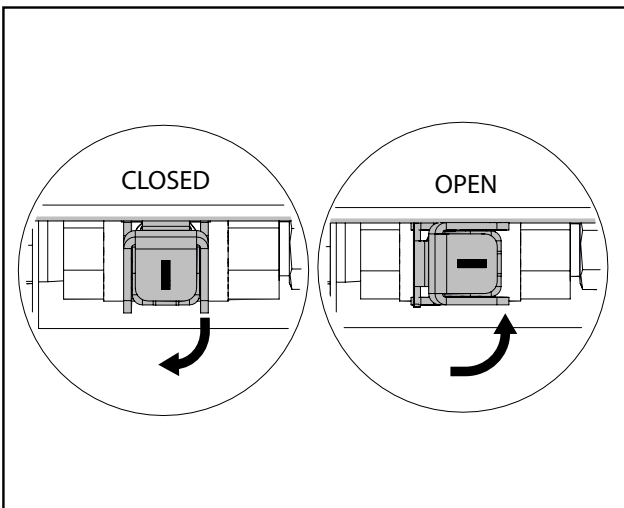
1. Slide the shut-off arm out.



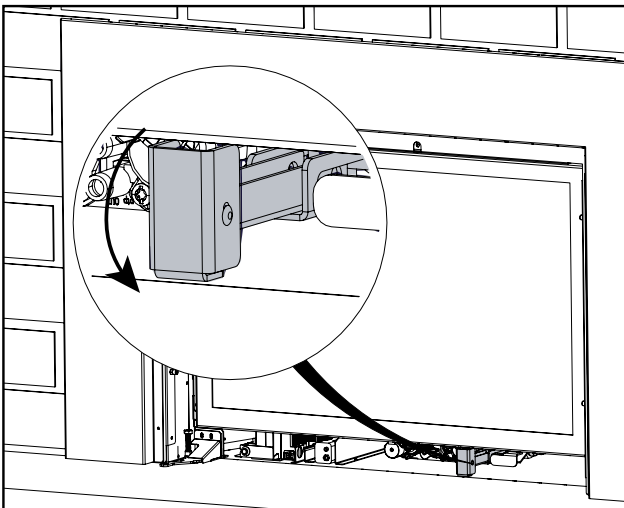
4. Slide shut-off arm back in.



2. Turn gas valve to desired position. If needed, use a flathead screwdriver to turn valve.



3. Alternatively, rotate the knob to turn it into a handle for more leverage. Clockwise closes the valve, counter-clockwise opens it.



Conversion from Natural Gas to Propane

**THIS CONVERSION MUST BE DONE BY A QUALIFIED GAS FITTER
IF IN DOUBT DO NOT DO THIS CONVERSION !!**

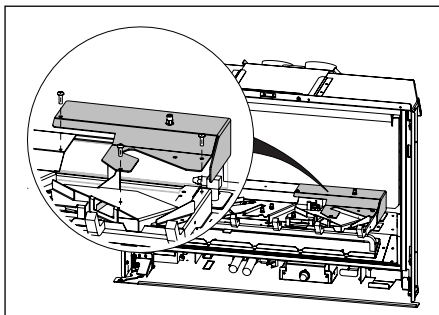
WARNING

This conversion kit shall be installed by a qualified service agency in accordance with the manufacturer's instructions and all applicable codes and requirements of the authority having jurisdiction. If these instructions are not followed exactly, a fire, explosion, or carbon monoxide may result, causing property damage, personal injury, or loss of life. The qualified service agency is responsible for the proper installation of this kit. The installation is not proper and complete until the operation of the converted appliance is checked.

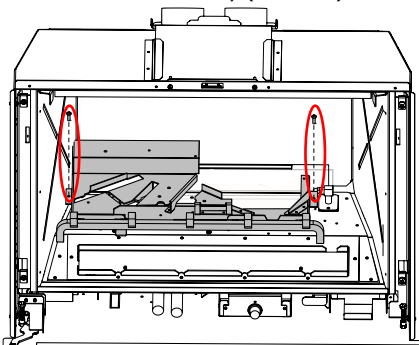
Conversion Kit #391-969 includes:

1	905-046	Burner Orifice #50
1	910-037	Pilot Orifice #30
1	918-590	Decal - Conversion to LP
1	904-529	5/32" long Allen Key
1	908-528	Label Propane Red
1	911-011	Stepper Motor
1	920-672	LP Conversion Instructions

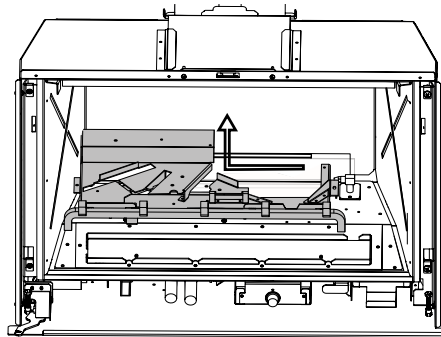
1. Turn the unit off and allow it to cool to room temperature.
2. Unplug or disconnect the stove power source.
3. Remove the safety screen and glass front (see manual).
4. Remove the logs and brick panels (if installed).
5. Remove the right rear log bracket (3 screws).



6. Remove the burner tray (2 screws).



7. Slide the burner tray to the left and out.



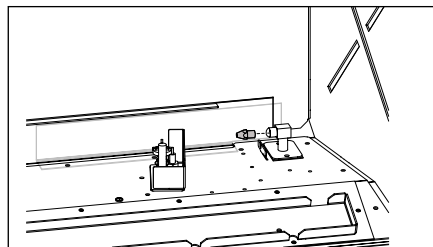
8. Pull off the pilot cap to expose the pilot orifice.



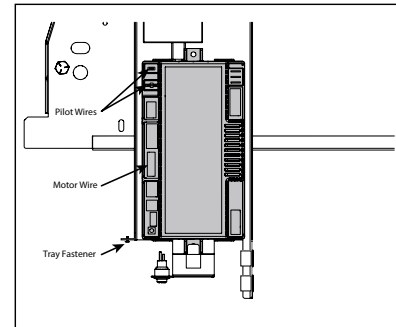
9. Unscrew the pilot orifice with the Allen key and replace with the LP pilot orifice in the kit and replace pilot cap.



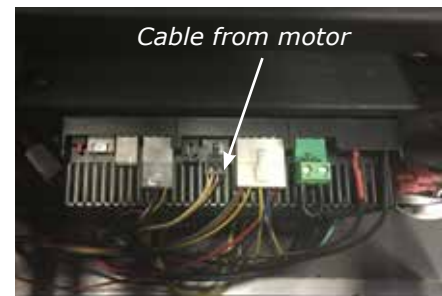
10. Remove the burner orifice with a 1/2" wrench and replace it with the #50 orifice in the kit. Use another wrench to support behind the elbow when removing/replacing the burner orifice.



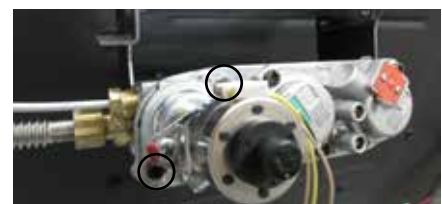
11. Remove tray fastener by removing 1 Phillips head screw as shown below, slide out IFC tray.



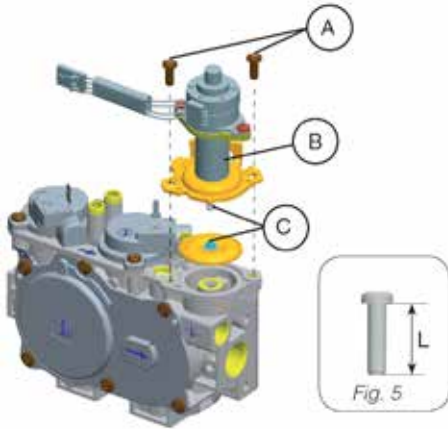
12. Disconnect the cable coming from the pressure regulator motor at the IFC board (marked X6 on the IFC).



13. Remove regulator from gas valve and discard 2 Pressure regulator screws A (T20 or slot), Pressure Regulator B, Spring and Diaphragm C. Ensure the rubber gasket, which is prefitted as part of the new regulator, is properly positioned. Install the new Pressure Regulator using the 2x M4 x .7 screws supplied. Tighten the screws to 25lb-in. In the event that the screw threads are cross threaded or stripped, replace the valve assembly. Also reconnect new cable from pressure regulator motor disconnected in step 12.



installation



14. Reverse steps 7 to 2.
15. Attach the "This unit has been converted to LPG" label near or on top of the serial decal.
16. Replace the yellow "Natural Gas" label with the red "LPG" label.
17. Adjust the aeration settings - see the "Air Shutter Adjustment" section in the manual.
18. Start the appliance (see the "Lighting Instructions" section in the manual). Ensure that pilot and burner ignition are completed without delay. Check your inlet and outlet pressures at full load. With a soapy solution, leak test the entire system. Verify correct flame and pilot appearance.

NOTE Wires must be secured by gray clips when reinstalling.

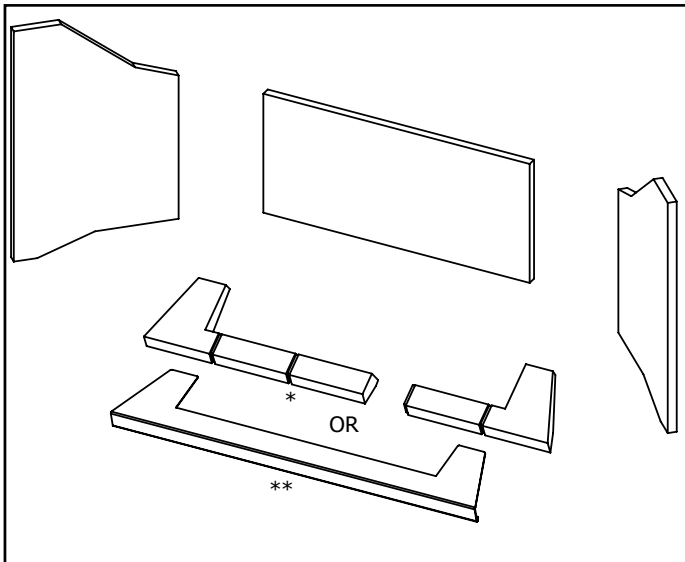
Panel Installation

These instructions are for use with the following products:

Part #	Description
391-901	Brick Panel Standard Brown
391-903	Brick Panel Herringbone
391-904	Brick Panel Castle Stone Grey
391-905	Brick Panel Volcanic Black
391-906	Inner Panel Glass Black
391-907	Inner Panel Black

- NOTES**
- Brick/steel/glass panels may discolor a little during operation. This is normal and should not be considered a defect.
 - Black glass panels: All hand and fingerprints **MUST** be cleaned off with a soft cloth. Use an ammonia-based cleaner (i.e. glass cleaner) to remove prints before applying heat to the unit. Failure to do this will result in stains which you will be unable to remove - this issue is not covered by our product warranty.

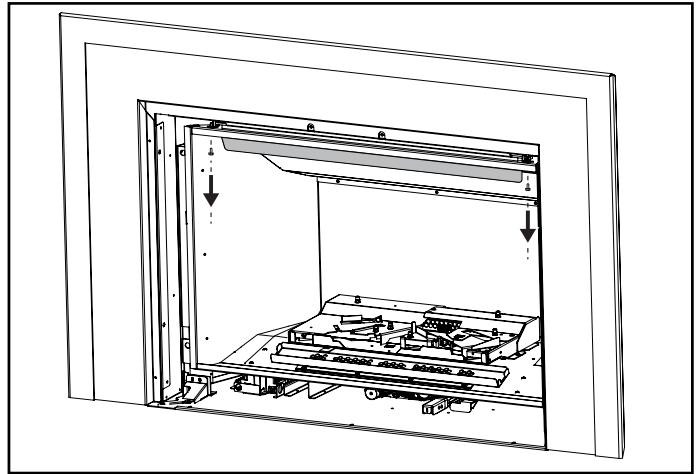
1. Carefully remove the panels from the box. They are fragile - handle with care and do not force them into position. If installed, remove the glass front prior to installing the panels.



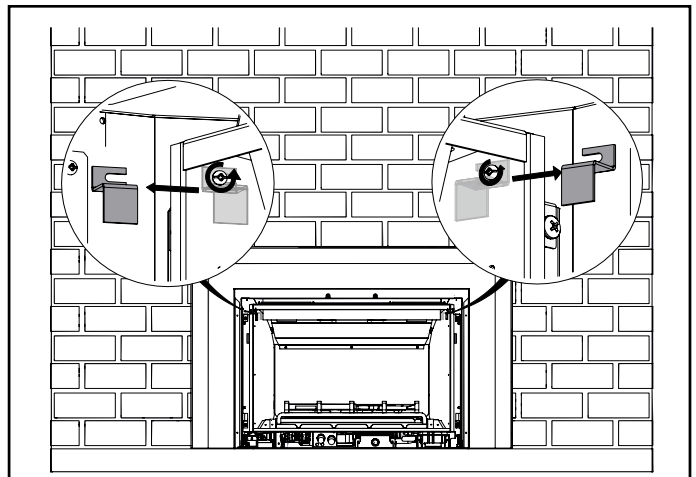
*The front panel in the brick panel set is split into two parts.

**The front panel in the steel/black glass panel set is a single part.

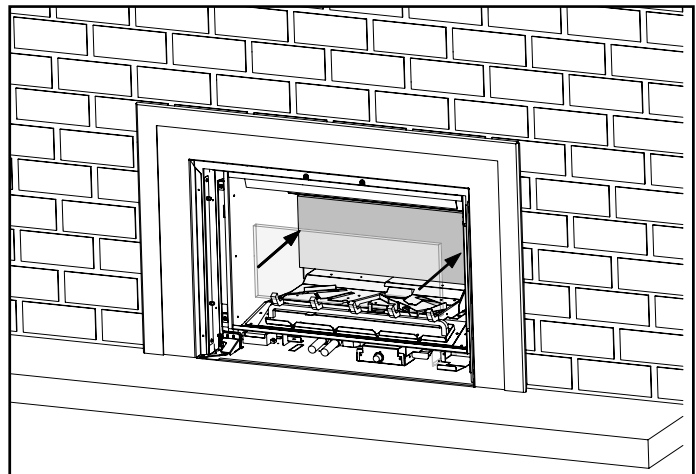
2. Remove two screws securing the blocker and uninstall blocker before installing any panels.



3. Loosen screws and remove brick retainer brackets.



4. Insert the rear panel and hold in place while installing the left and right panels.

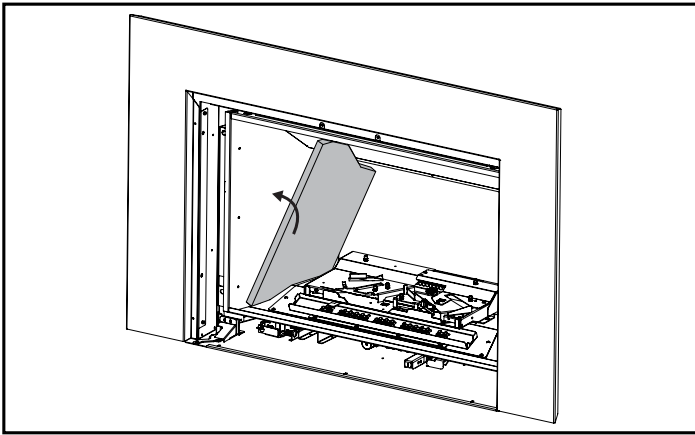


NOTE The brick panel sets must be installed with the arrow on the back of the panel pointing up to align the grout lines.

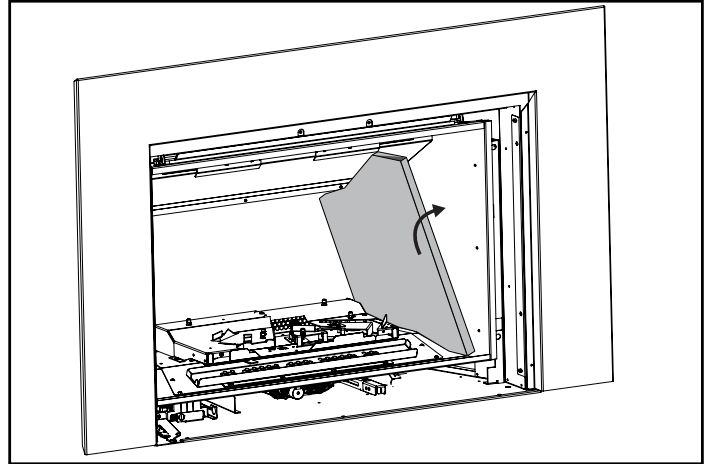
installation

For brick/steel/glass panels:

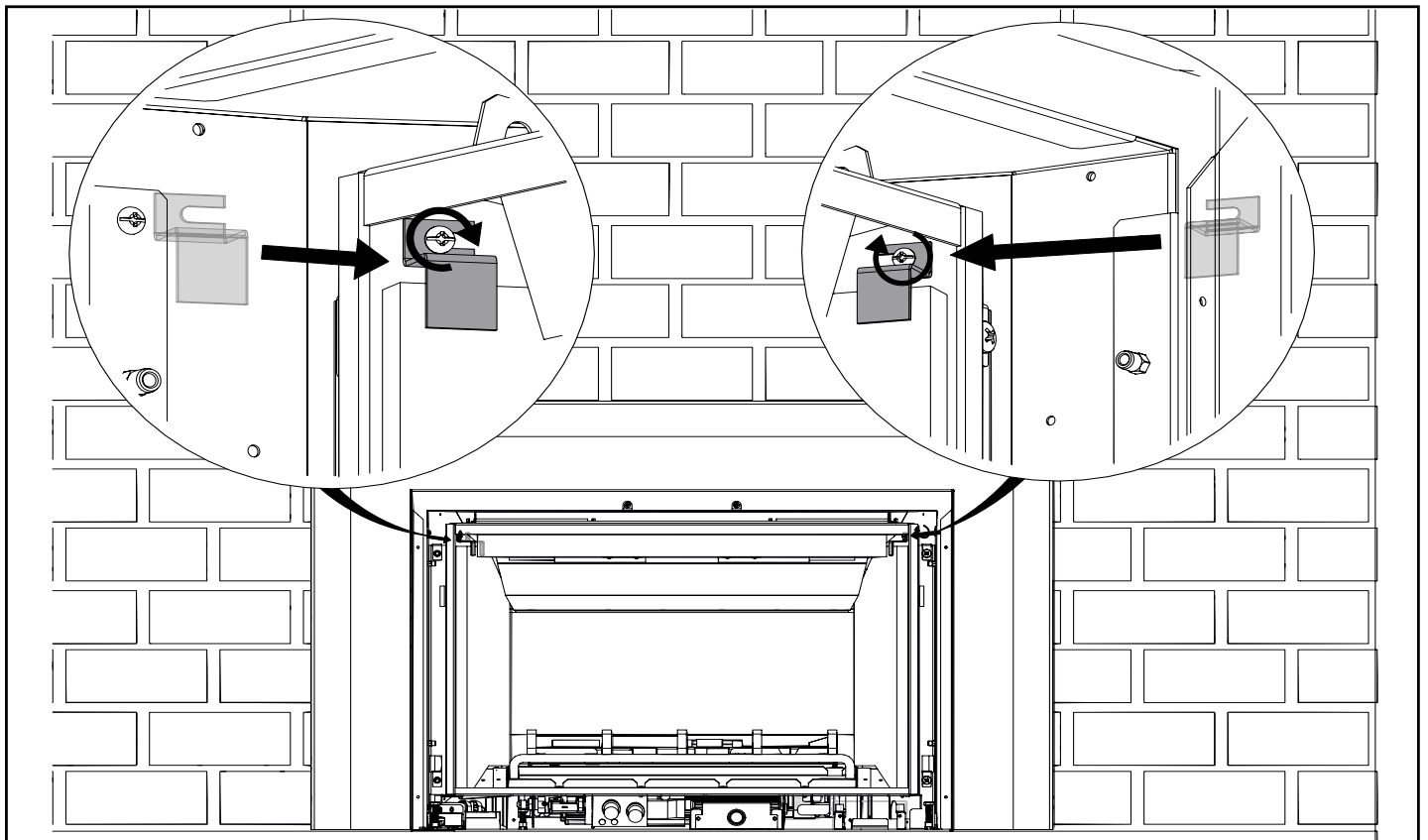
5. Insert the left panel and push until it touches the rear panel.



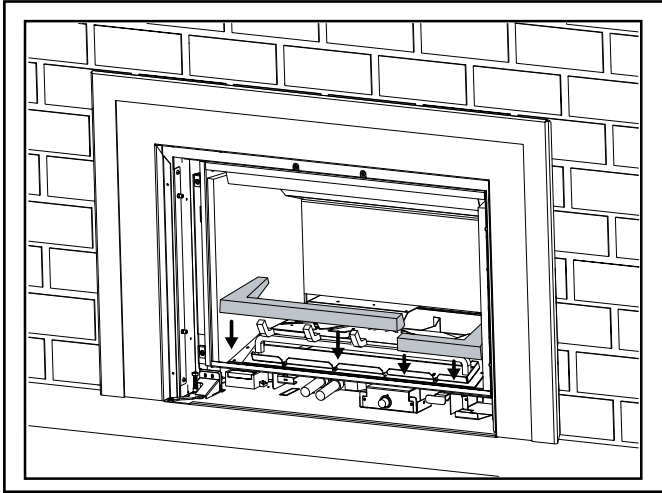
6. Insert the right panel and push until it touches the rear panel.



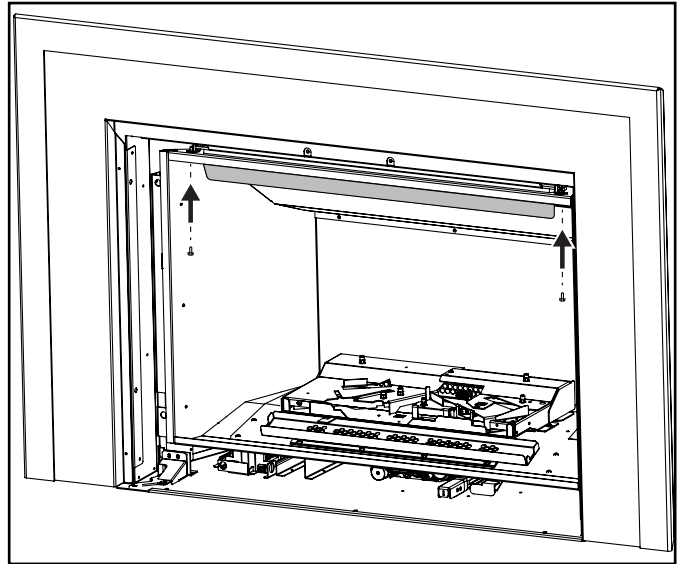
7. Install the brick retainer clips and tighten the screws.



8. Install the front panel(s)* by placing between the front of the firebox and the media tray.



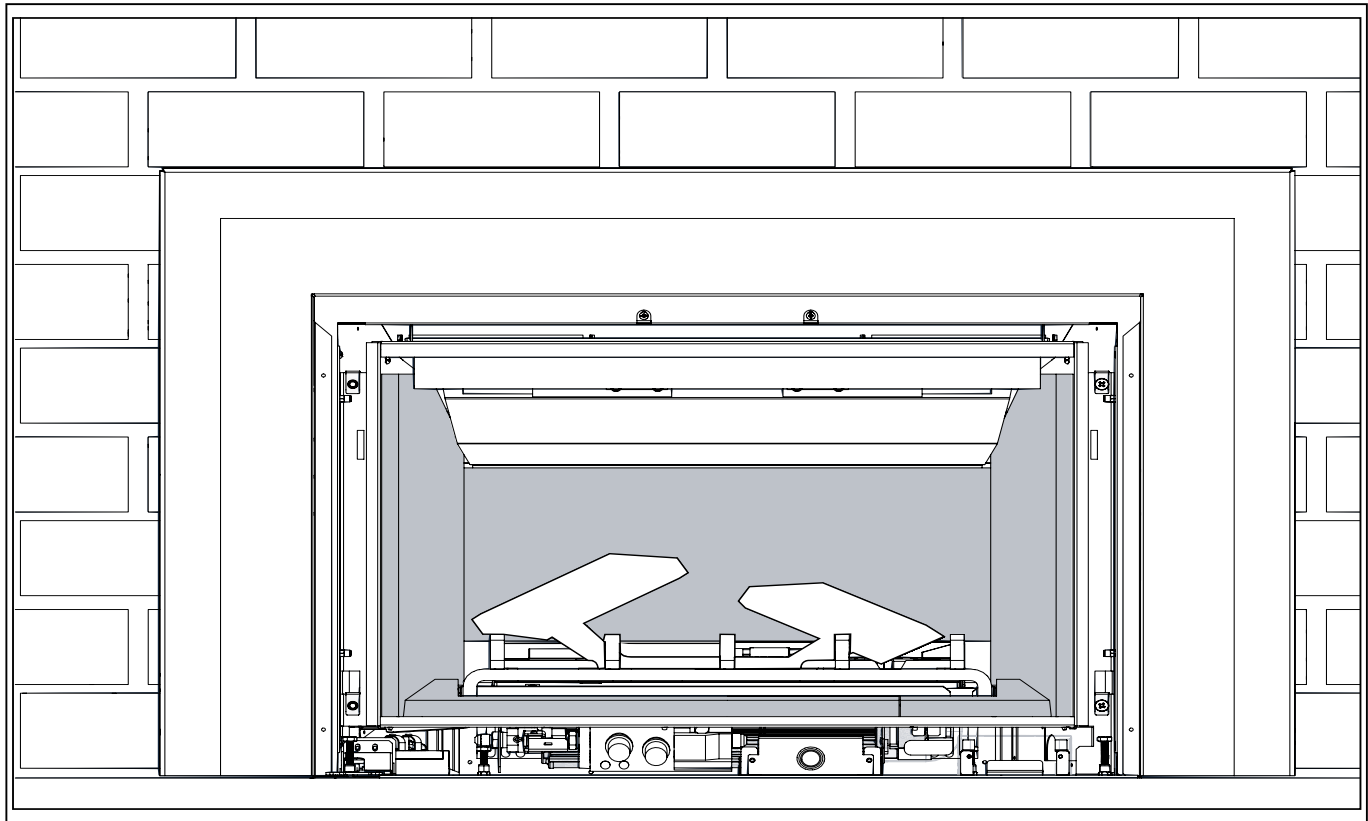
9. Reinstall the blocker and secure using the previously removed screws.



NOTE

- *The front panel in the black steel/black glass panel set is a single part. The front panel for the brick panel set is split into two parts.
- Front panel is not required if driftwood log set is being installed.

10. Final installation.



installation

Birch & Oak Log Set Installation (Part #311-931 & 311-934)

IMPORTANT

Read the instructions below carefully and refer to the images. If the logs are broken, do not use the unit until they are replaced. Improper positioning of the logs and may create carbon build-up and can alter the unit's performance. Issues caused by improper log positioning are not covered under warranty.

Prior to installing the log set, install the brick, painted, or glass panels.

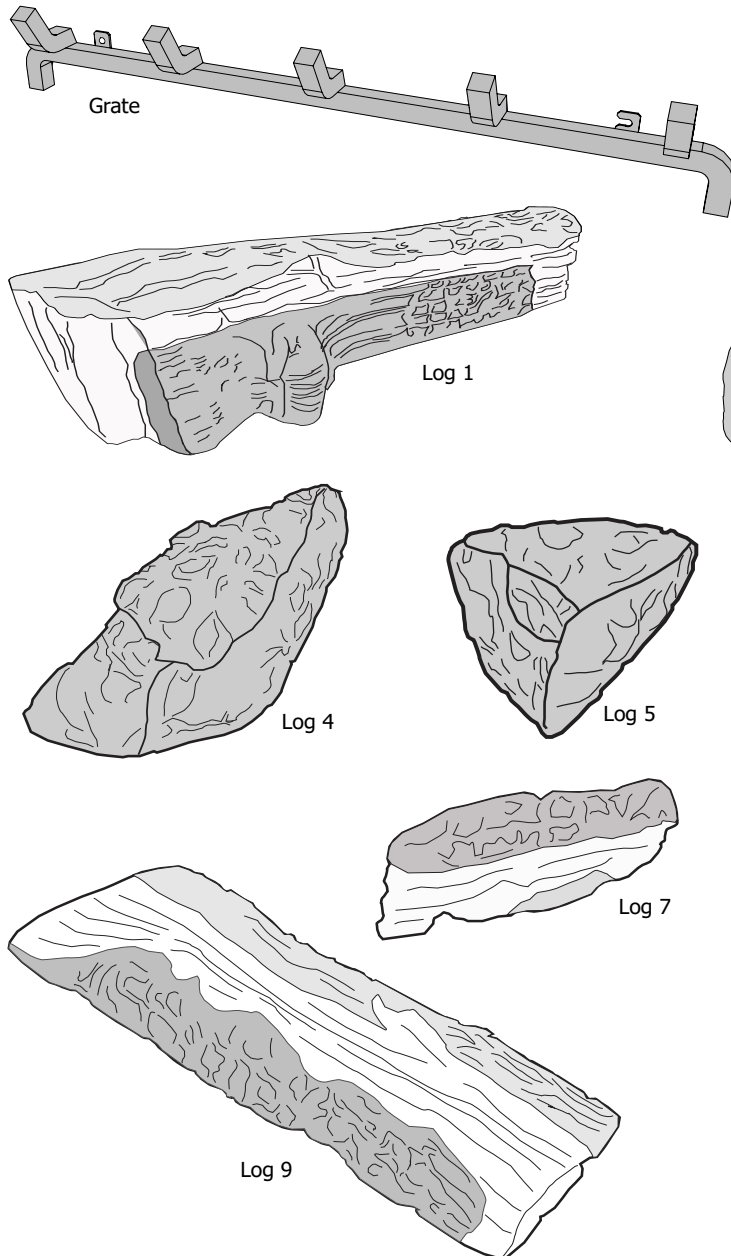
This log set includes:

1	Rear log
2	Rear left log
3	Rear right log
4	Rear left center log
5	Rear right center log

6	Front left log
7	Front centre log
8	Front right Log
9	Top right log
10	Top left log

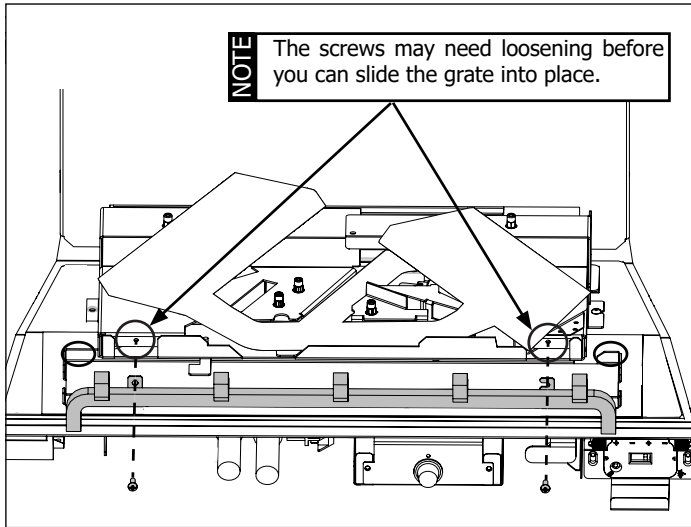
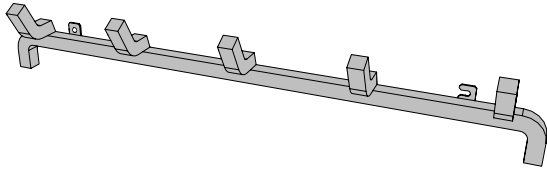
Accessories:
1 bag of Andirion embers
1 bag of vermiculite black sea wool
1 bag of 3/4" crushed glass
1 bag of black/white embers
1 Log Grate

1. Carefully remove the logs from the box and unwrap them. The logs are fragile - handle with care, and do not force them into position.

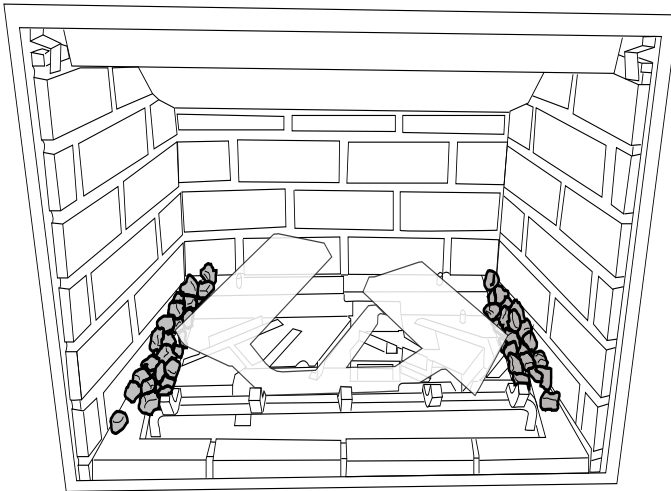


NOTE The Birch log set (311-931) will look slightly different than shown in the picture.

2. Install the log grate with the two screws provided.

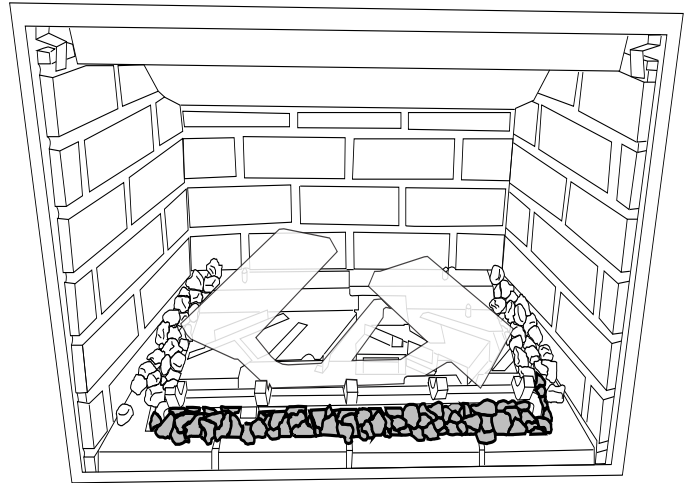


3. Evenly disperse black embers on each side of the burner tray. Ensure the embers sit below the burner tray, so that they do not interfere with logs 2 & 3.

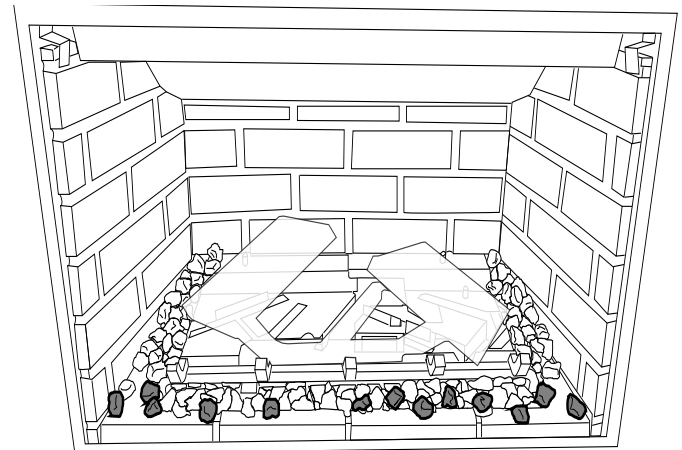


4. Fill the media tray with the 3/4" glass, then scatter the black sea vermiculite on top. The glass can cover parts of the front brick panel.

NOTE Not all media is used in the install, there will be leftover glass and embers.

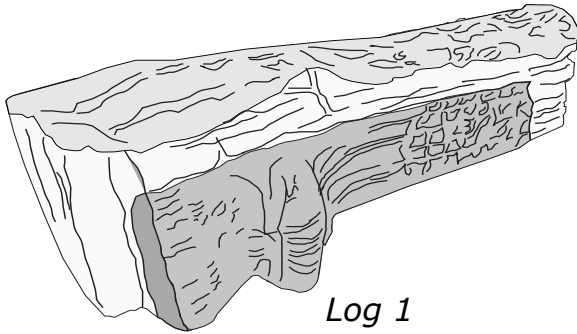


5. Spread the black/white embers along the front panels. When logs 6, 7, and 8 are installed, ensure the embers are not preventing proper log placement. It is also possible to add the embers after all logs are placed.

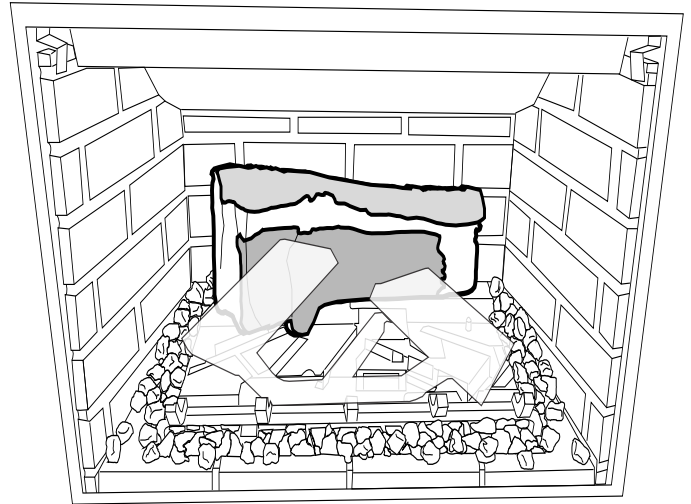


installation

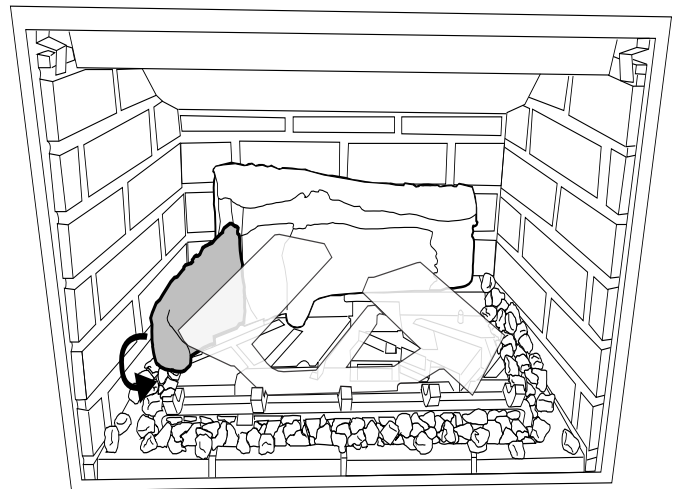
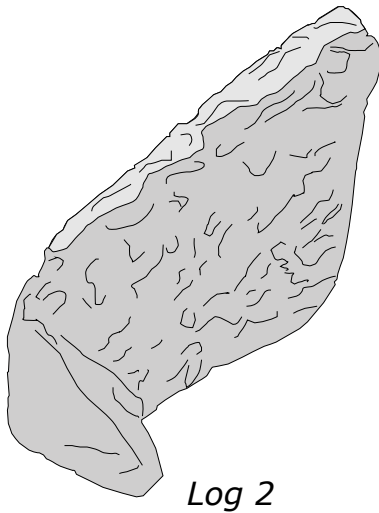
6. Carefully lay Log 1 on the two pins behind the burner. Make sure the left part of the log does not hit the left portion of the burner.



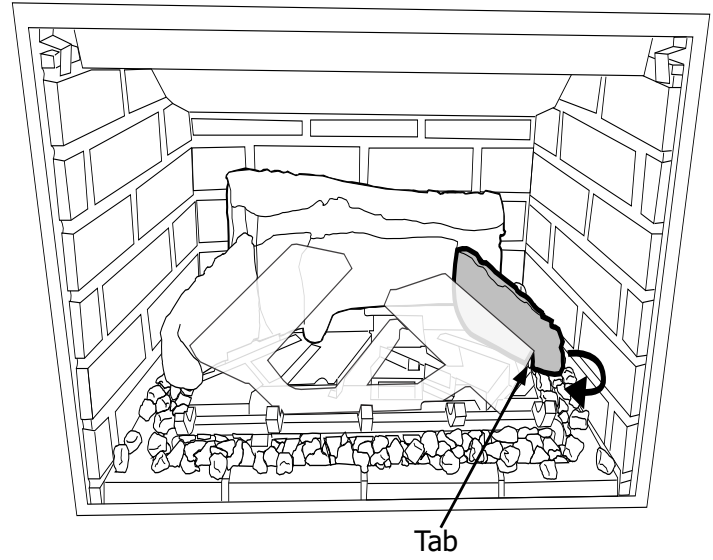
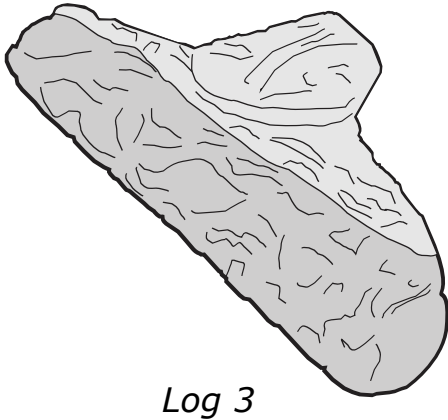
NOTE The Birch log set (311-931) will look slightly different than shown in the pictures, but the numbering is the same.



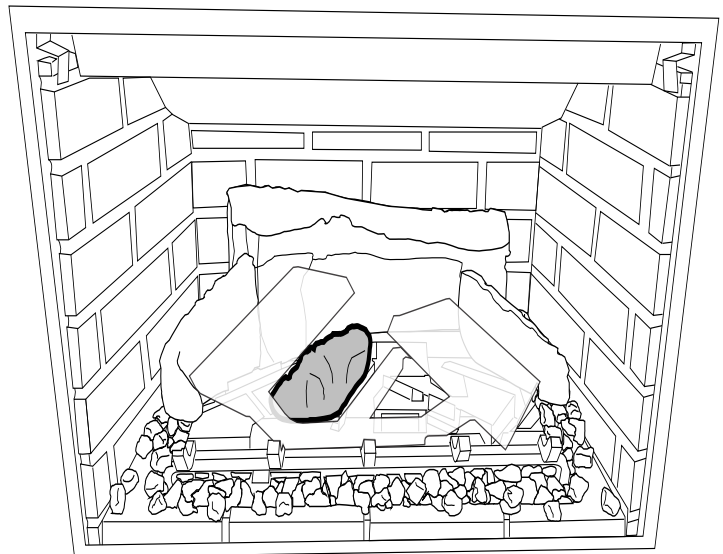
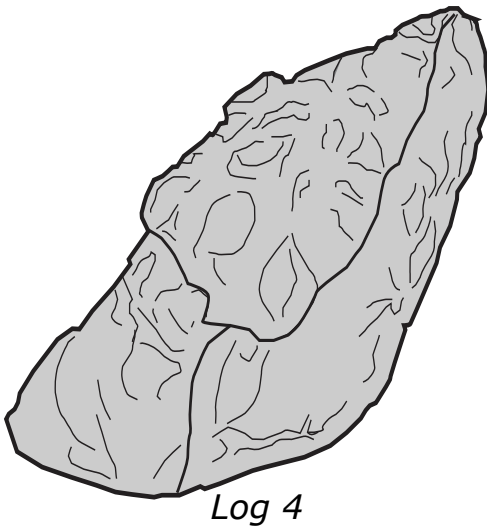
7. Place Log 2 behind the left portion of the burner, resting its right side in the notched area on Log 1. Rotate the front of Log 2 onto the metal flange and ensure it is resting directly on the tray, with no embers underneath.



8. Place Log 3 on the pin and rotate it until it touches the tab shown below. Ensure that Log 3 is resting directly on the tray with no embers underneath.

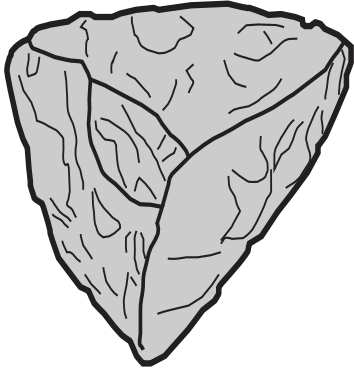


9. Place Log 4 on the two pins under the left burner.

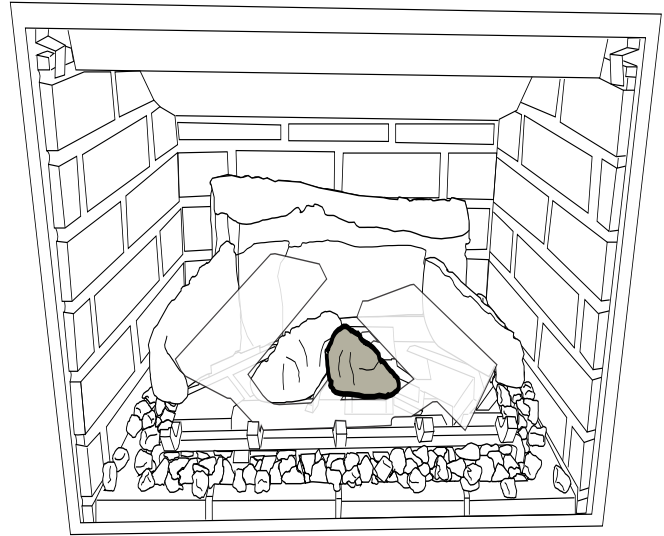


installation

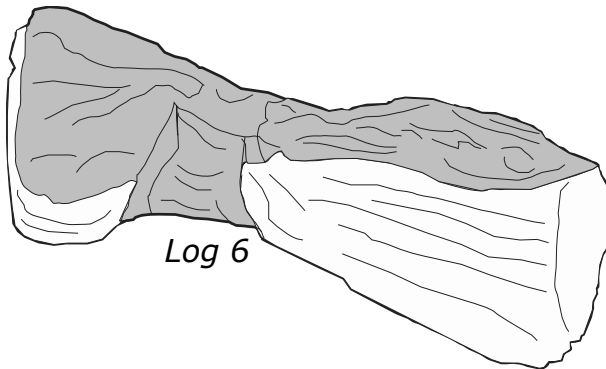
10. Place Log 5 on the pin under the right burner.



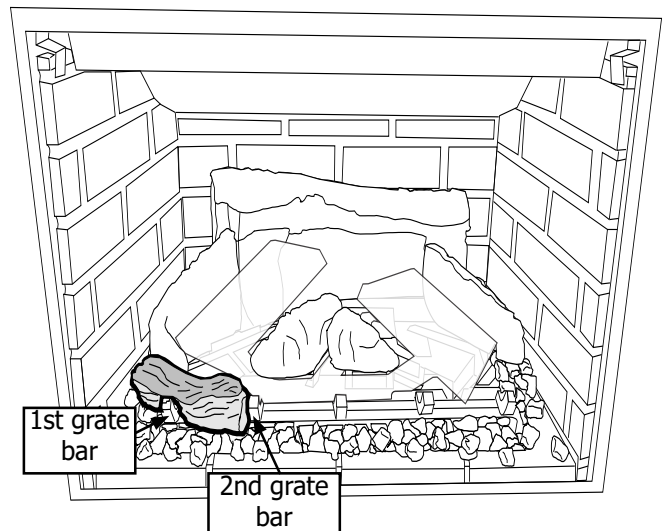
Log 5



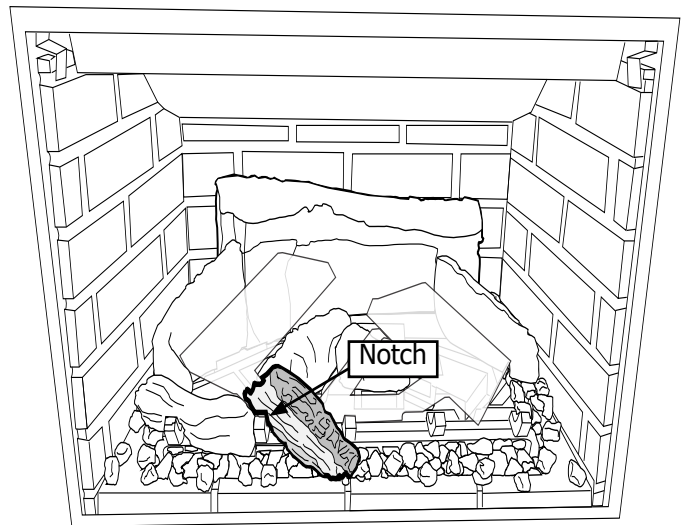
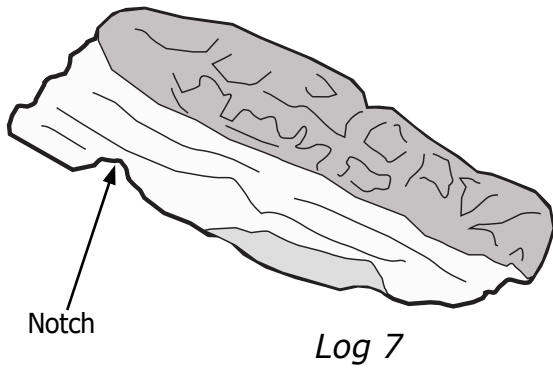
11. Place Log 6 on the grate with the notch on the middle of the log sitting on the first grate bar and the flat section pointing up. Log 6 does not sit on the front panel - it rests on the tab next to the second grate bar. Ensure that there are no embers underneath the log.



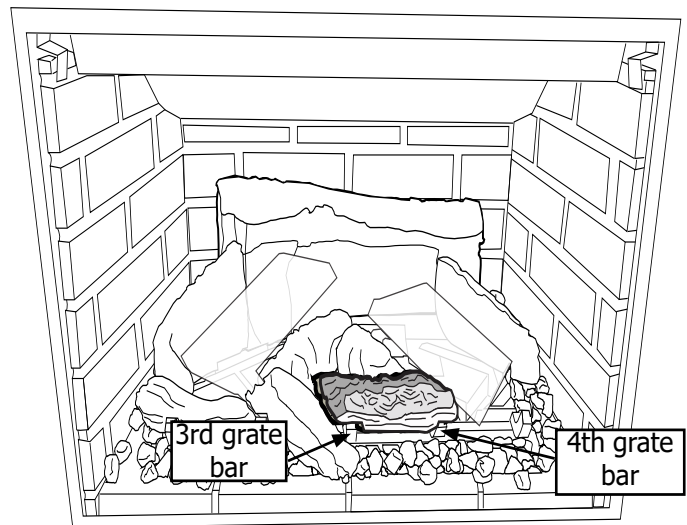
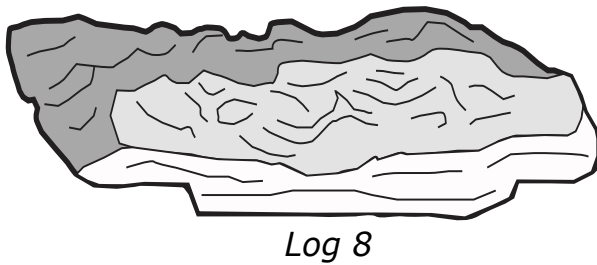
Log 6



12. Place Log 7 with the notch (shown below) resting on the upper right corner of the second grate bar. Rest the bottom right end of the log on the front panel, ensuring it does not protrude over the bottom edge of the firebox and that there are no embers underneath. This ensures Log 7 sits properly on the grate and does not interfere with the operation of the glass door.

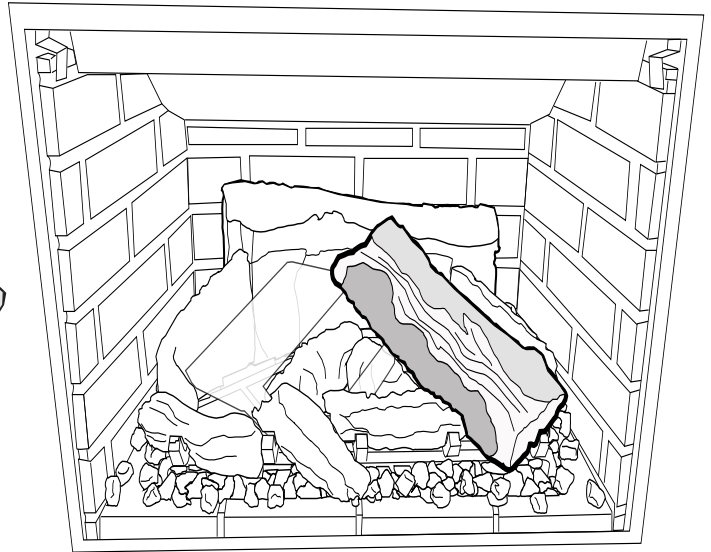
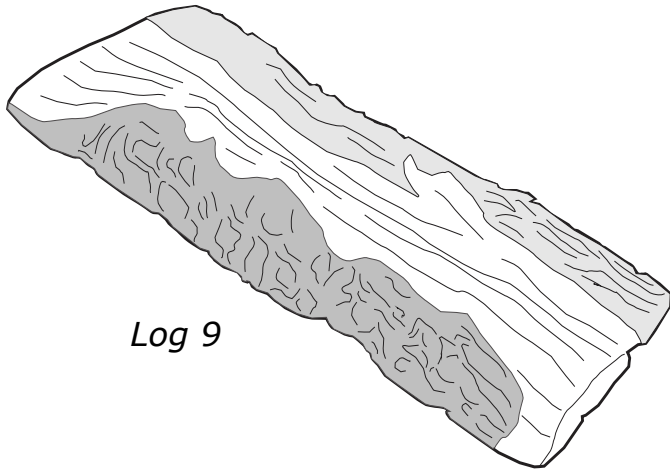


13. Place Log 8 between the third and fourth grate bar. The charred section at the top of the log faces the inside of the firebox.

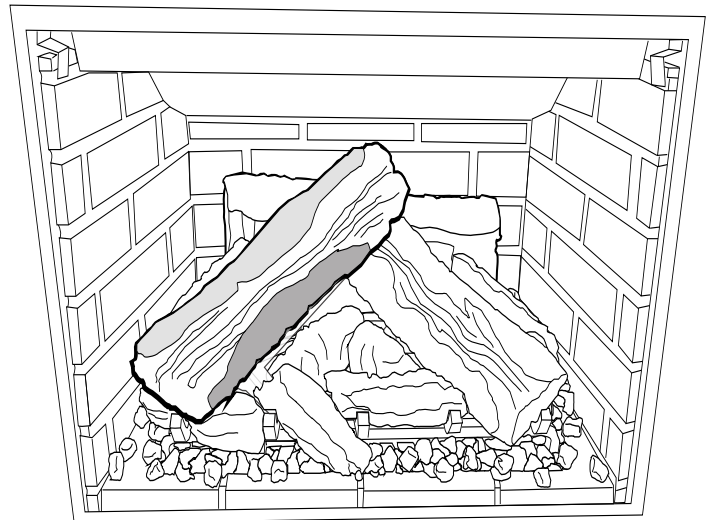
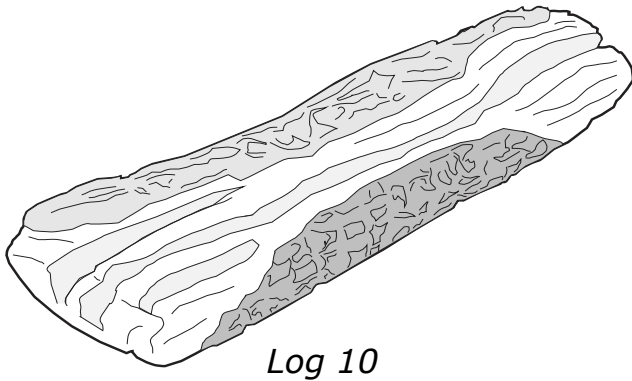


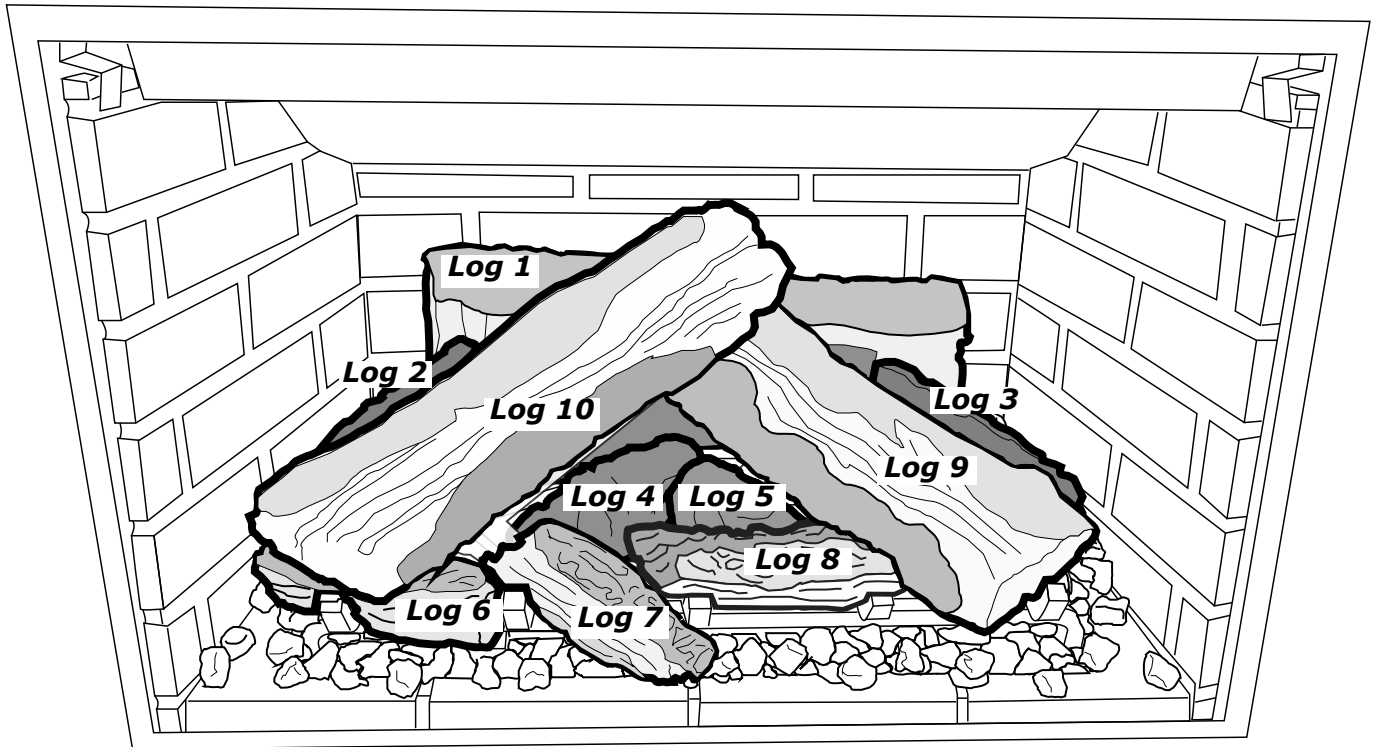
installation

14. Place Log 9 on the right end of the burner. The log rests on the burner, not on the fifth grate bar.



15. Place Log 10 on the left side of the burner. Log 10 should not touch Log 6. Readjust the positioning of Log 6 if necessary, ensuring it is resting on the tab beside the second grate bar.





Final Placement

installation

Driftwood Log Set Installation (Part #311-930/P)

IMPORTANT

Read the instructions below carefully and refer to the images. If the logs are broken, do not use the unit until they are replaced. Improper positioning of the logs and may create carbon build-up and can alter the unit's performance. Issues caused by improper log positioning are not covered under warranty.

Prior to installing the log set, install the brick, painted, or glass panels.

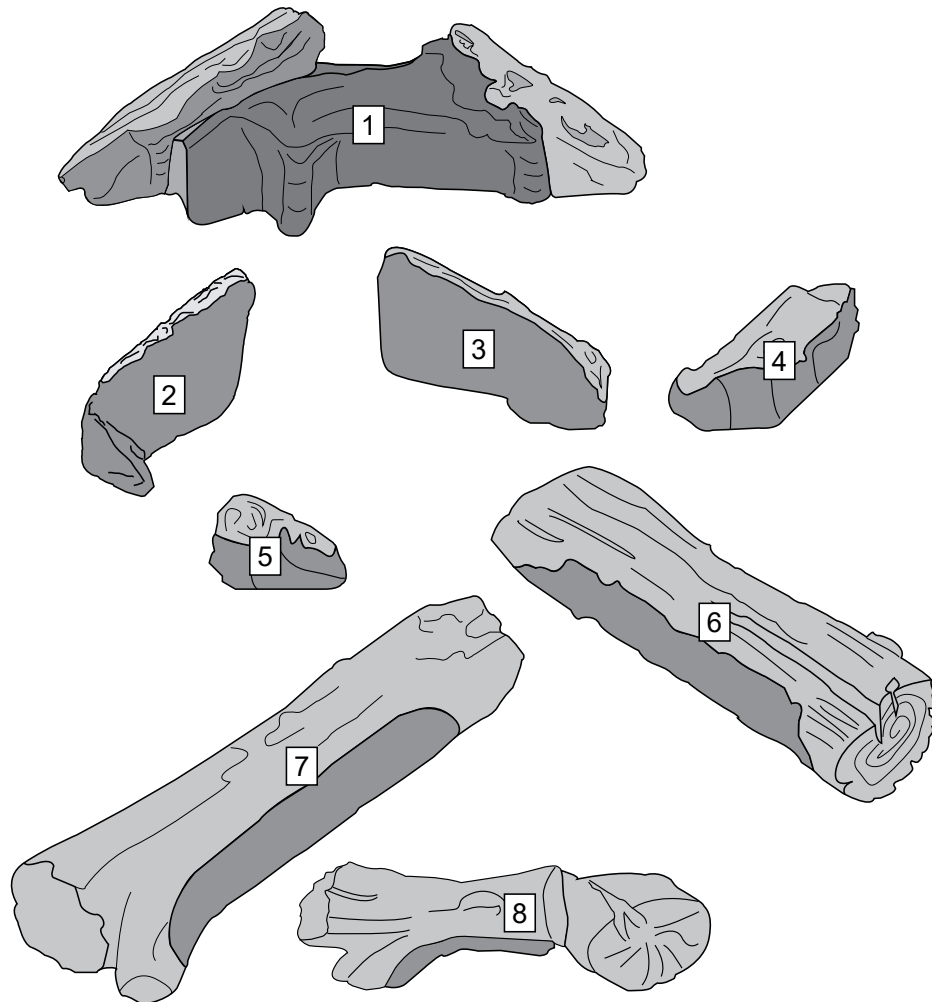
This log set includes:

1	Rear Log
2	Rear Left Log
3	Rear Right Log
4	Rear Left Center Log
5	Rear Right Center Log

6	Top Left Log
7	Top Right Log
8	Front Log

Accessories:
1 Box of Andiron Embers
1 Box of 3/4" Crushed Glass
1 Front Log Mount

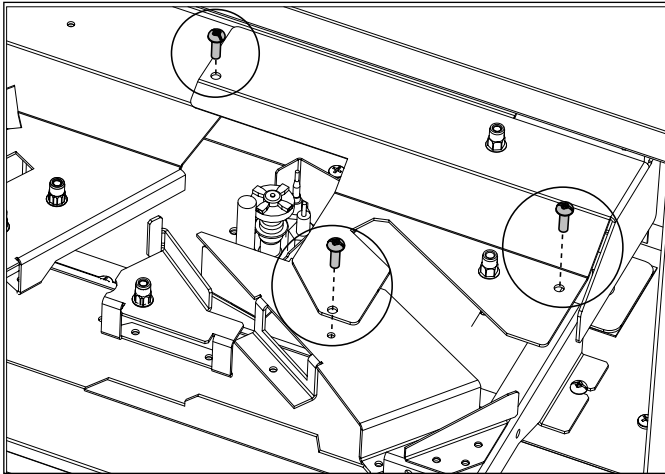
1. Carefully remove the logs from the box and unwrap them. The logs are fragile - handle with care, and do not force them into position.



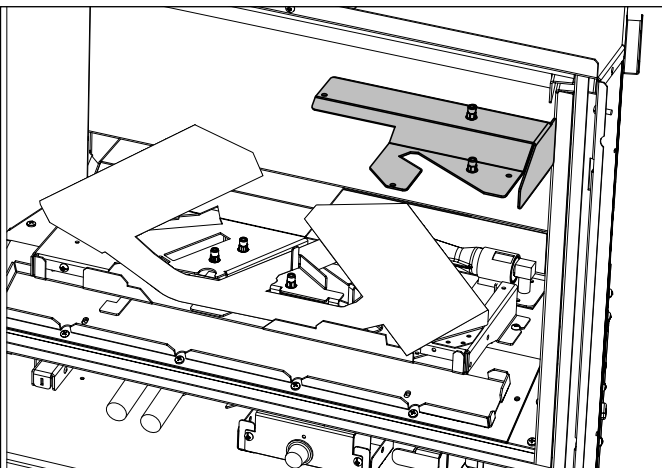
Front Log Mount



2. Remove pilot shield.

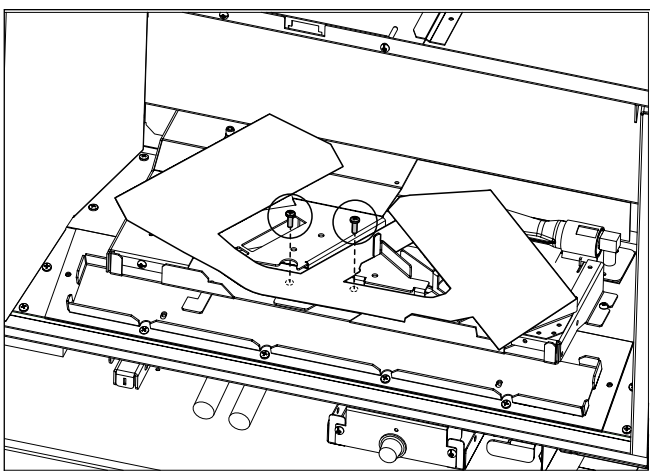


3. Remove 3 screws attaching the pilot shield to the burner tray.

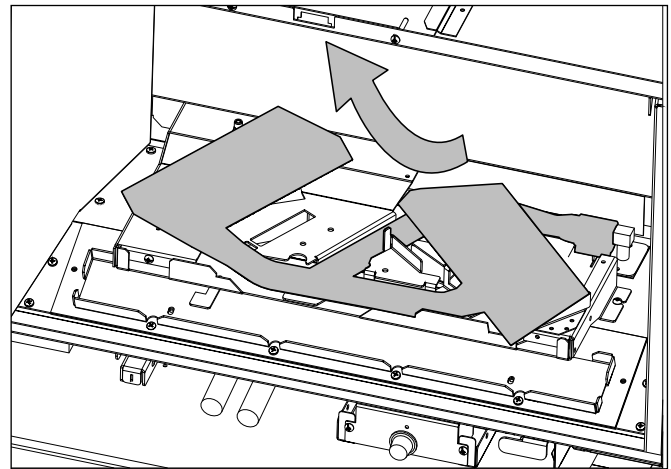


4. Remove the pilot shield.

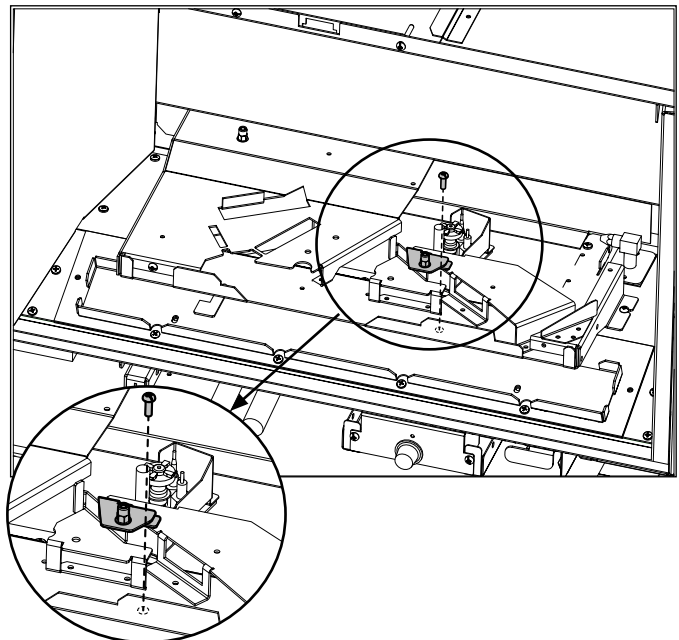
5. Remove the two screws indicated.



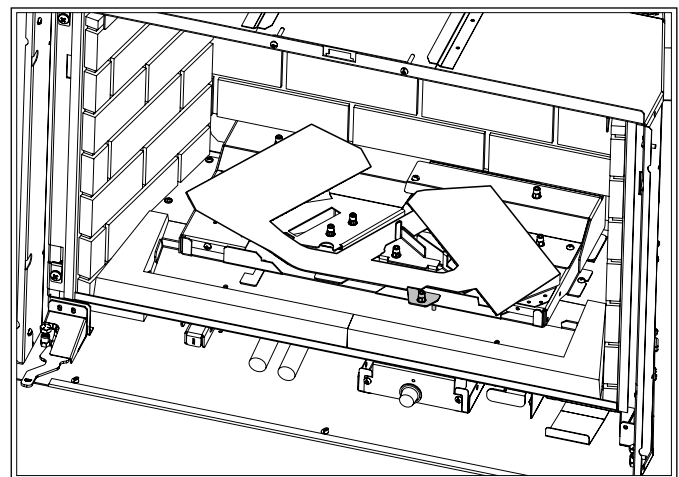
6. Remove the burner by sliding left and up out of the burner tray.



7. Install the Front Log Mount with one screw as shown.

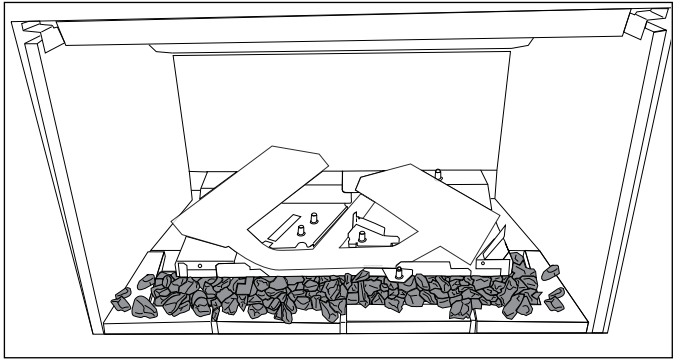


8. Re-install the burner and pilot shield.

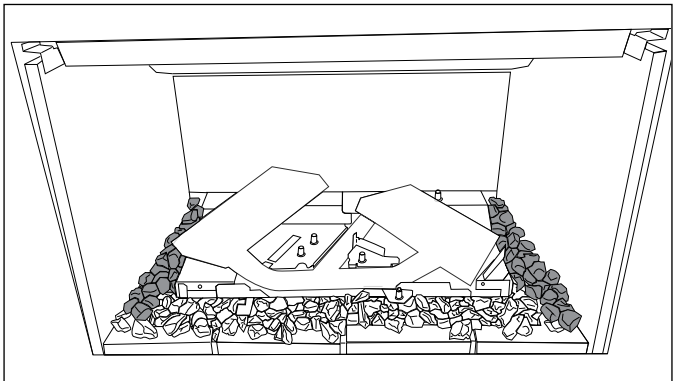


installation

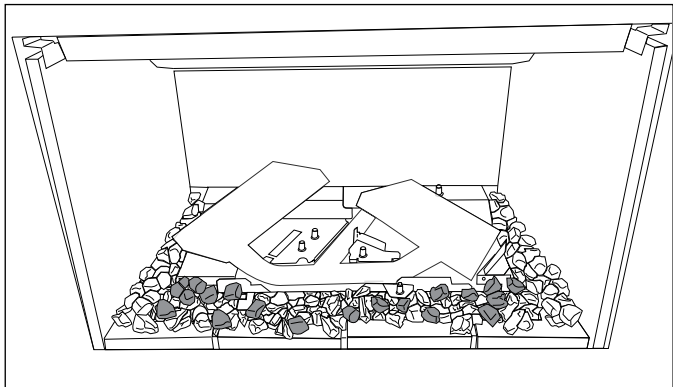
9. Fill the glass tray with 3/4" glass until it is full.



10. Fill the outside of the Burner Tray and around the Glass Tray with Black Embers as shown. Do not fill the sides of the firebox past the Burner Tray.



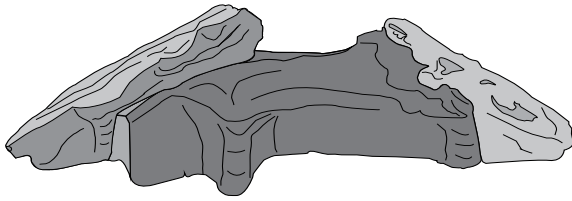
11. Add more 3/4" glass and black embers and fill the rest of the firebox. Mixing the black embers and glass will create a more realistic look.



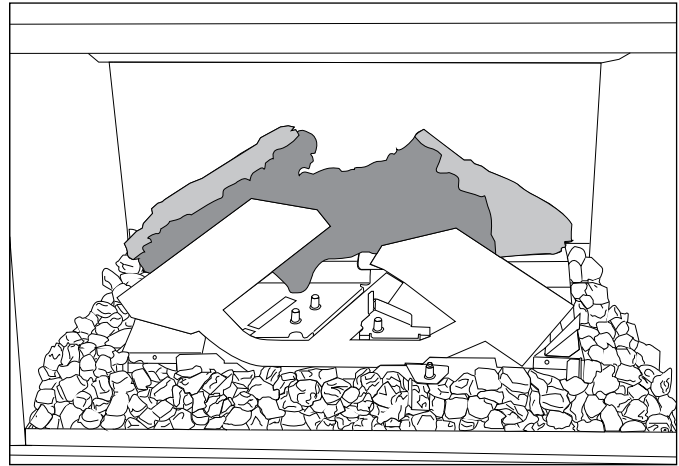
NOTE

Not all media is used in the install, there will be leftover glass and embers.

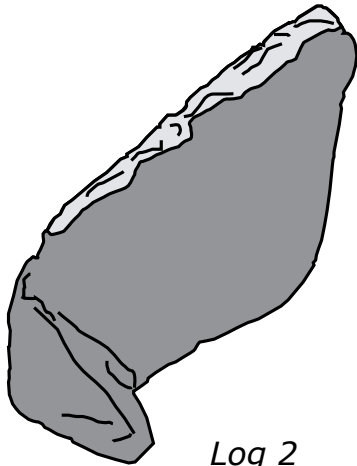
12. Carefully lay Log 1 on the two pins behind the burner. Make sure the left part of the log does not hit the left portion of the burner.



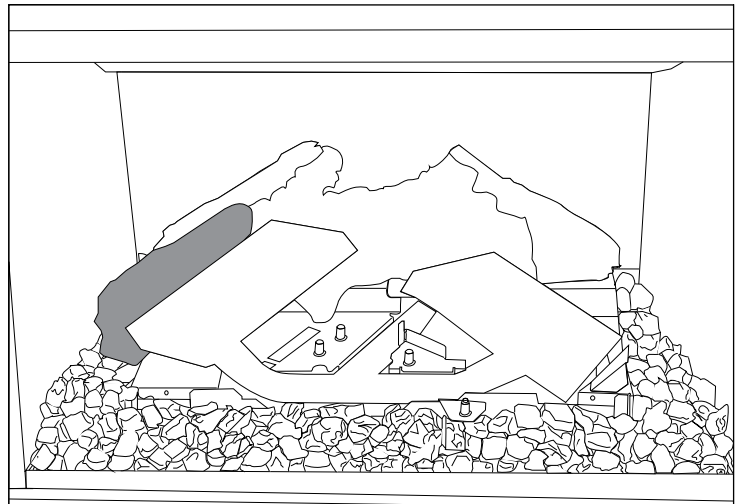
Log 1



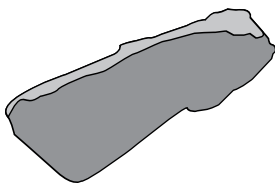
13. Place Log 2 behind the left portion of the burner, resting its right side in the notched area on Log 1. Rotate the front of Log 2 onto the metal flange and ensure it is resting directly on the tray, with no embers underneath.



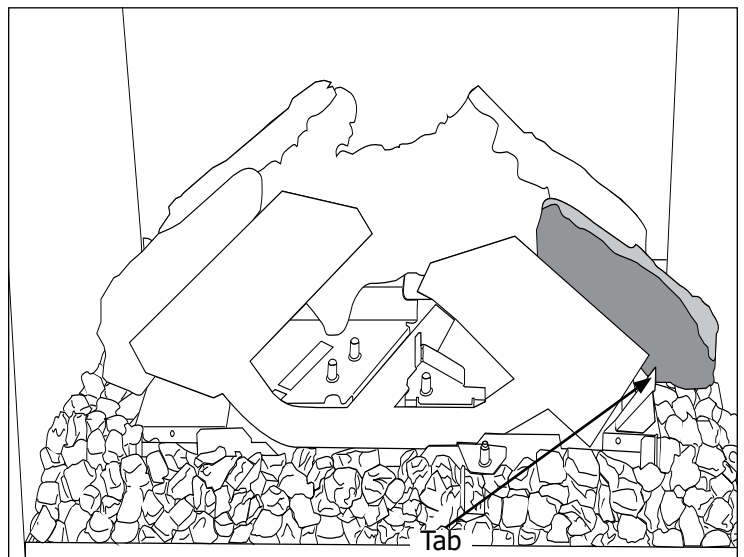
Log 2



14. Place Log 3 on the pin and rotate it until it touches the tab shown below. Ensure that Log 3 is resting directly on the tray with no embers underneath.

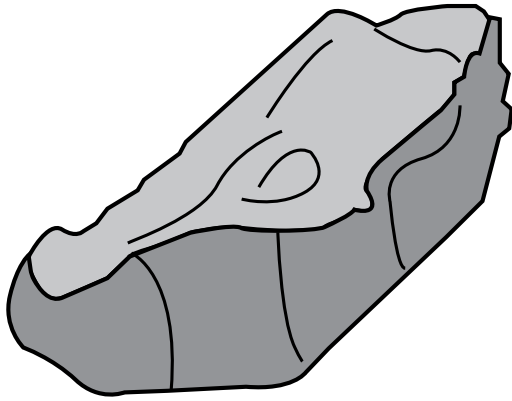


Log 3

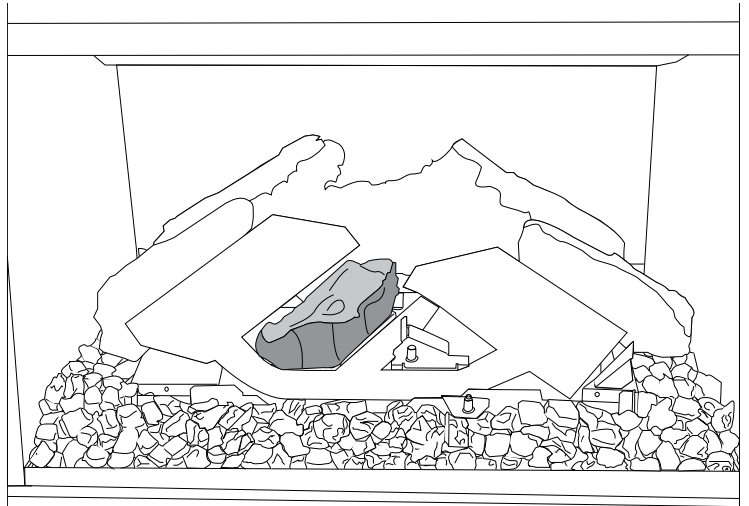


installation

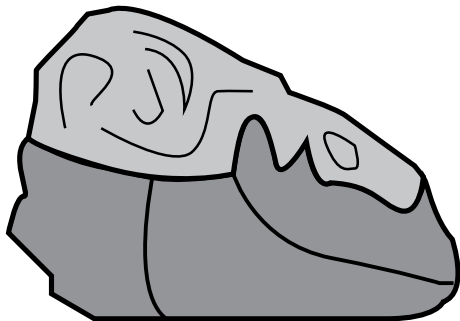
15. Place Log 4 on the two pins under the left burner.



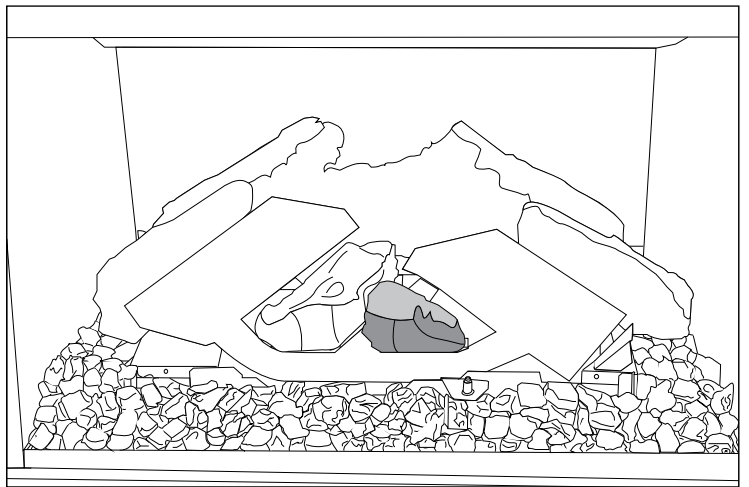
Log 4



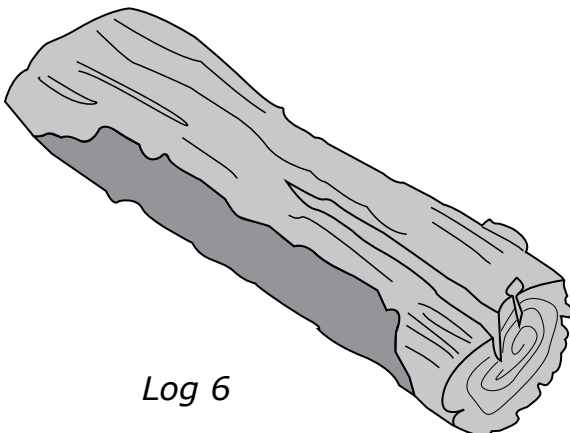
16. Place Log 5 on the pin under the right burner.



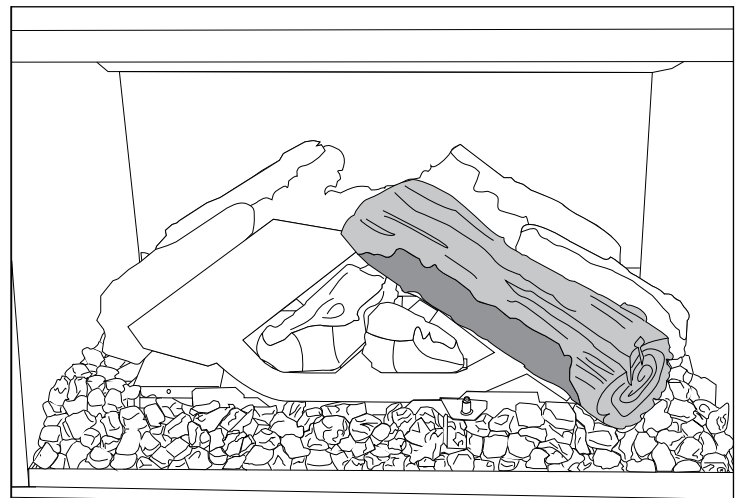
Log 5



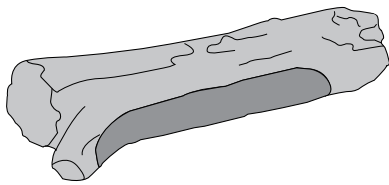
17. Place Log 6 on the right end of the burner. The log rests on the burner.



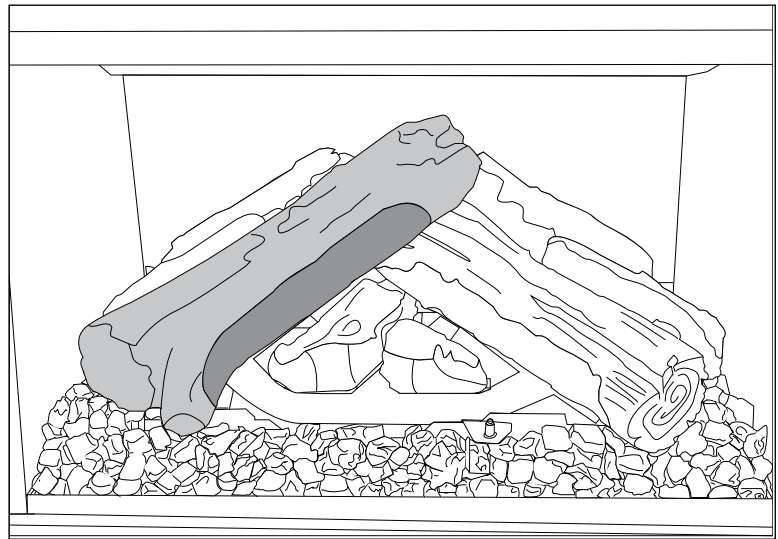
Log 6



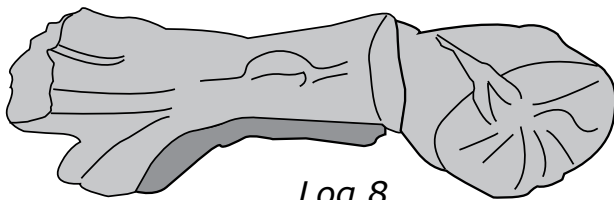
18. Place Log 7 on the left of the burner. The log rests on the burner.



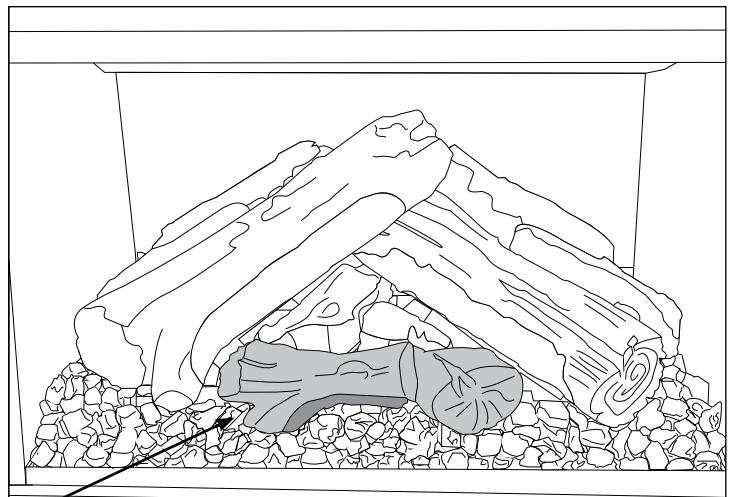
Log 7



19. Place Log 8 on the pin on the front log mount. The other end will rest on the ember media.

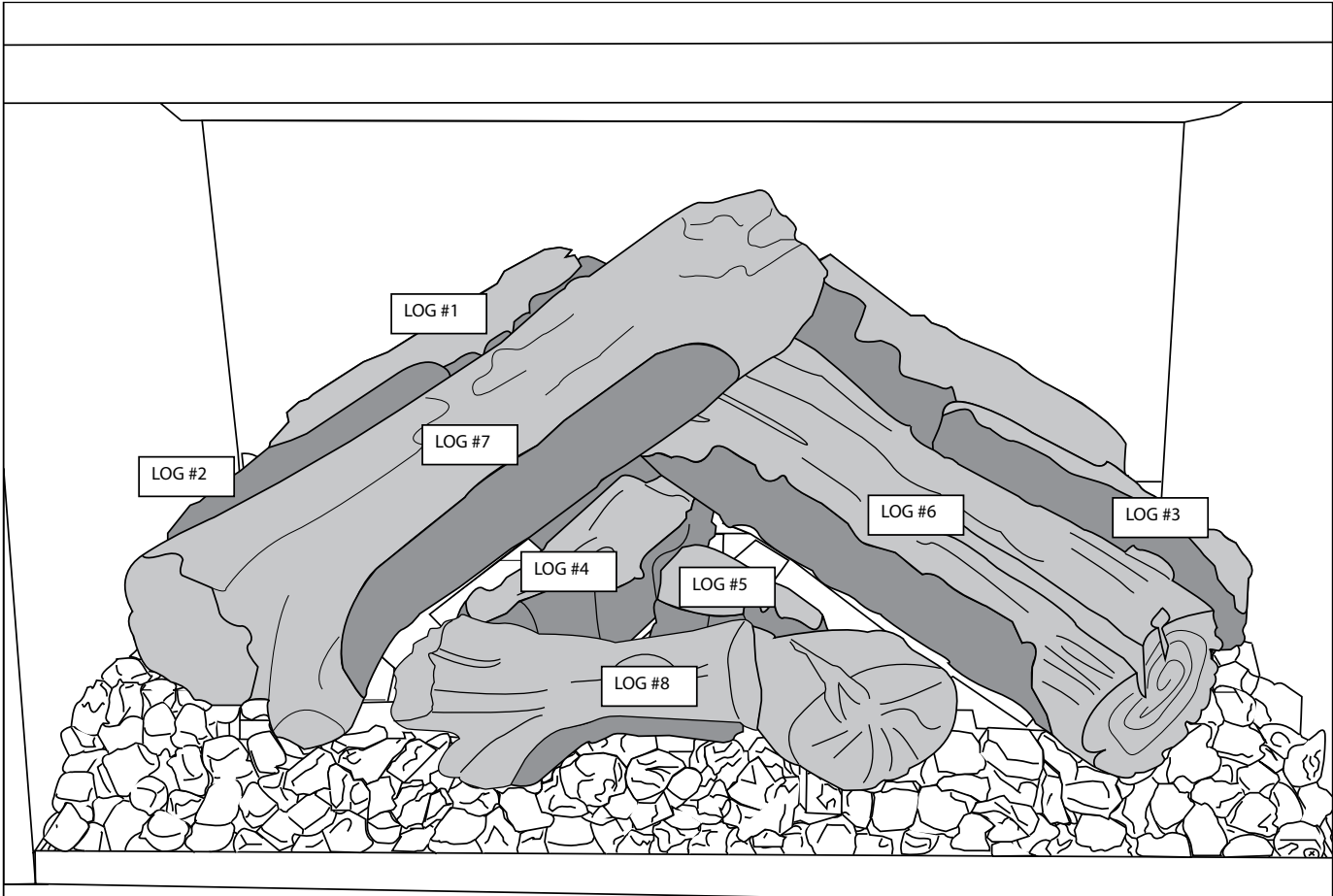


Log 8



NOTE:
IGNORE TAB UNDER BURNER TRAY, THIS IS
UTILIZED ON THE OAK/BIRCH LOG SET. COVER
TAB WITH EMBER OR GLASS MEDIA.

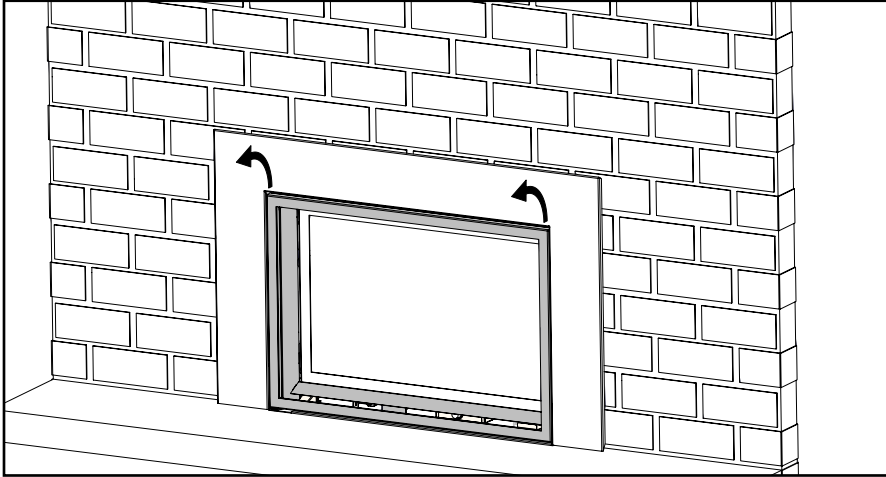
installation



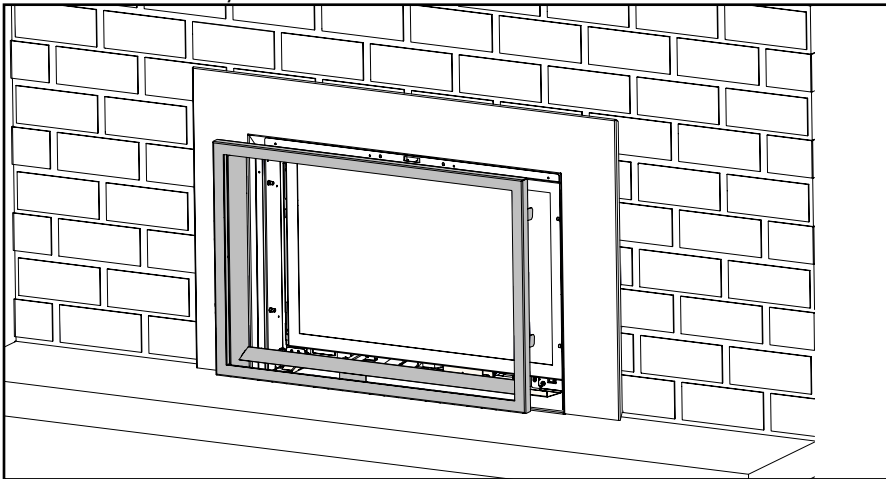
Final Placement

Screen Removal

1. Gently lift screen assembly out.



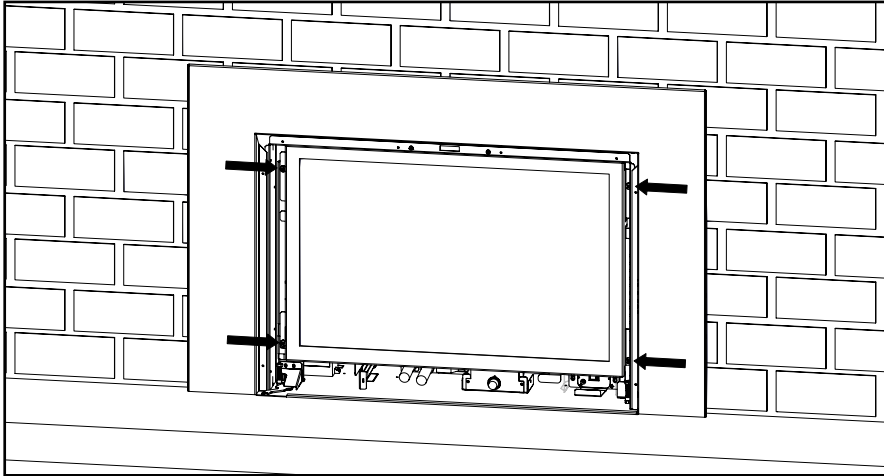
2. Place screen assembly where it will not be scratched or broken.



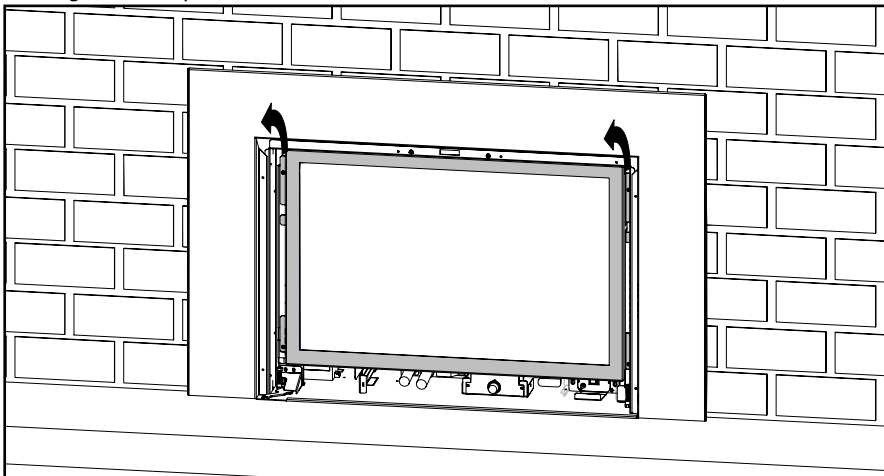
installation

Glass Door Removal

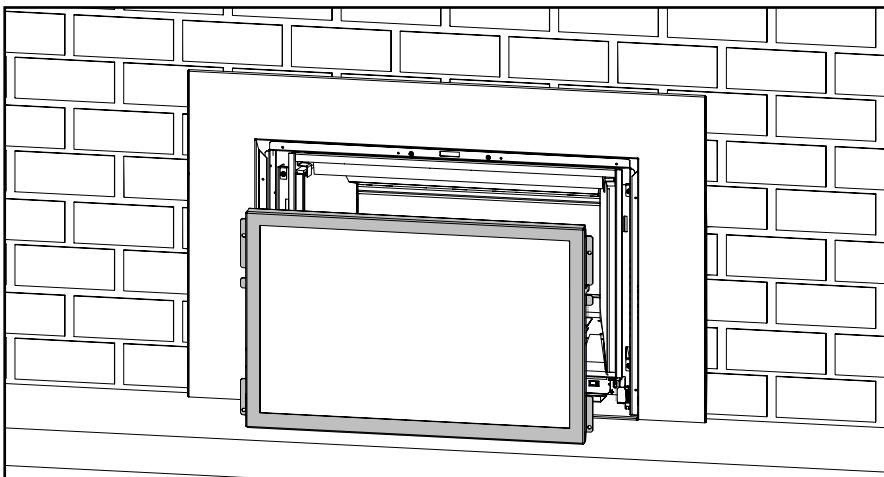
1. Locate and remove the four forward-facing Phillips head screws in the locations shown.



2. Lift glass door up and out.



3. Place glass door in a safe place where it will not be scratched or broken.

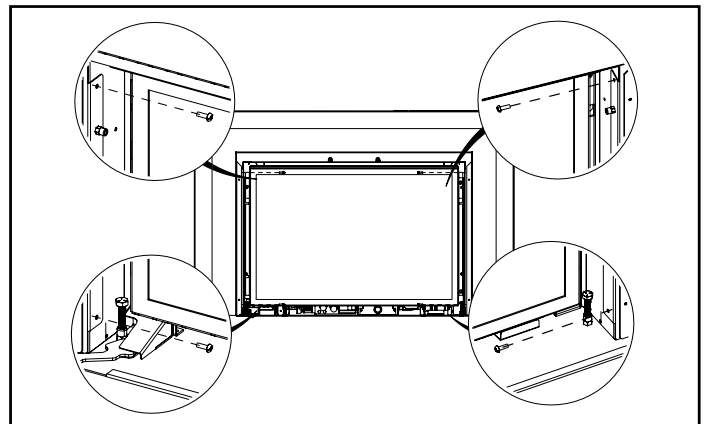


Faceplate/Finishing Trim Installation

These instructions are for use with the following products:

Part #	Description
391-910	Faceplate Regular 3-Sided Black
391-912	Faceplate Flush 3-Sided Black
391-913	Faceplate Flush 4-Sided Black
391-914	Finishing Trim 3-Sided Black
391-915	Finishing Trim 4-Sided Black

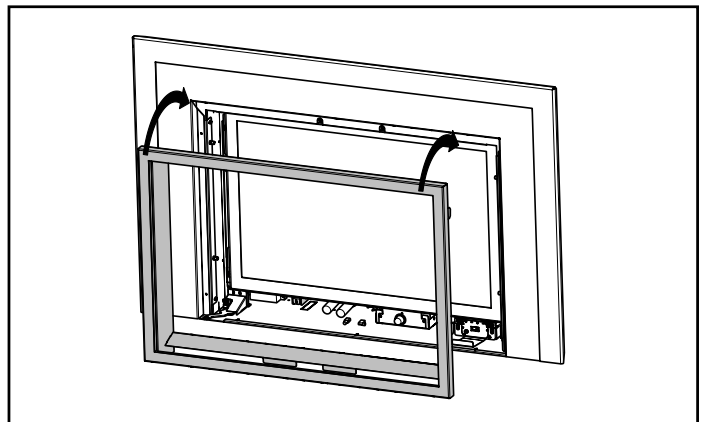
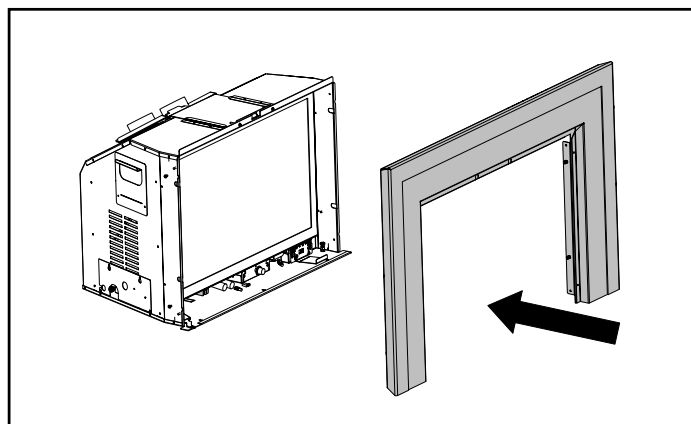
3. Fasten the four screws on both sides to attach the faceplate/finishing trim.



1. Remove the four screws supplied with the faceplate/finishing trim.

4. Install the compact screen.

2. Position the faceplate/finishing trim. If installing a premium/traditional surround refer to "Premium/traditional Surround Installation" prior to installation of faceplate.



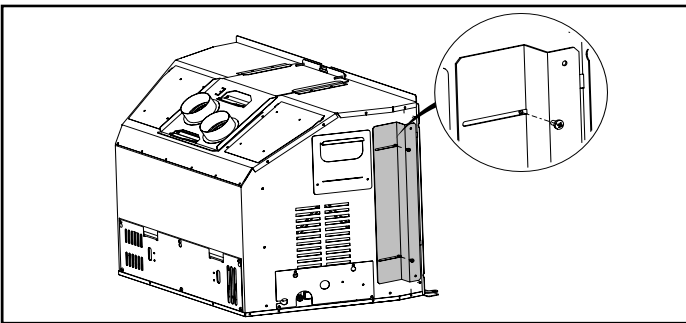
installation

Backing Plate Installation

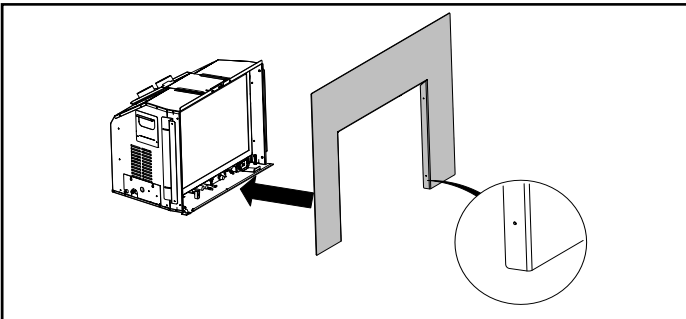
These instructions are for use with the following products:

Part #	Description
391-936	Backing Plate 3-Sided Oversized Black
391-937	Backing Plate Custom 3-Sided
391-938	Backing Plate Custom 4-Sided

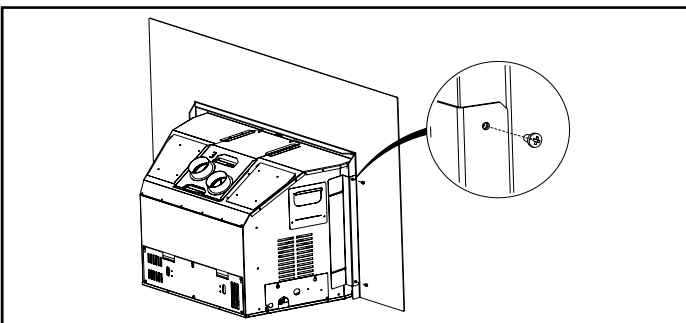
1. Attach the brackets on both sides using the four screws provided, ensuring they sit at the front of the slots.



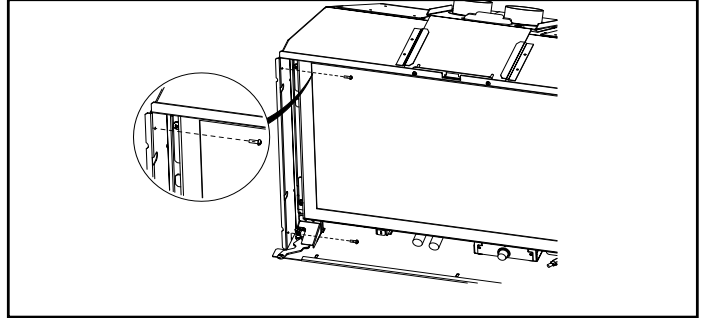
2. Position the backing plate.



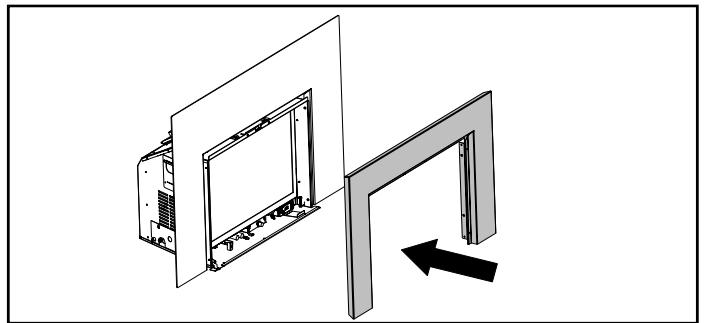
3. Fasten four screws on both sides to attach the backing plate.



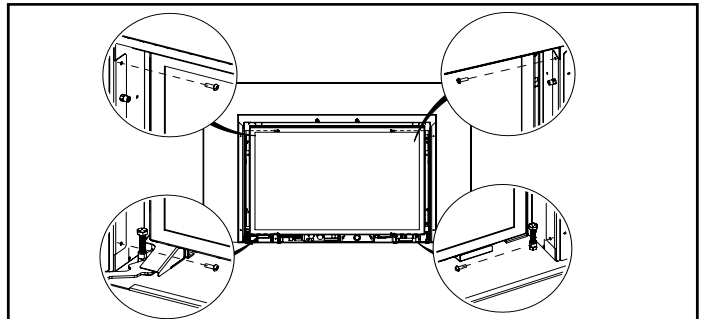
4. Remove the four screws at the front of the unit.



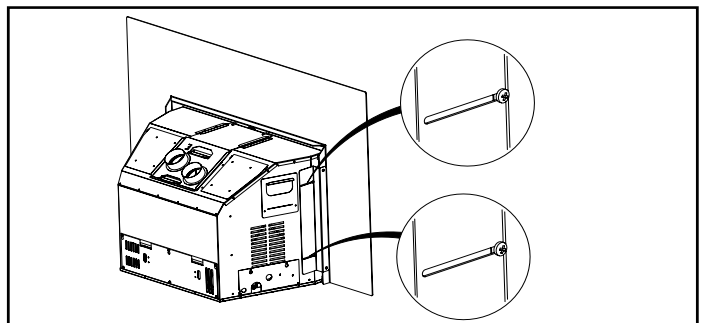
5. Position the faceplate. If installing a premium surround, refer to "Premium Surround Installation".



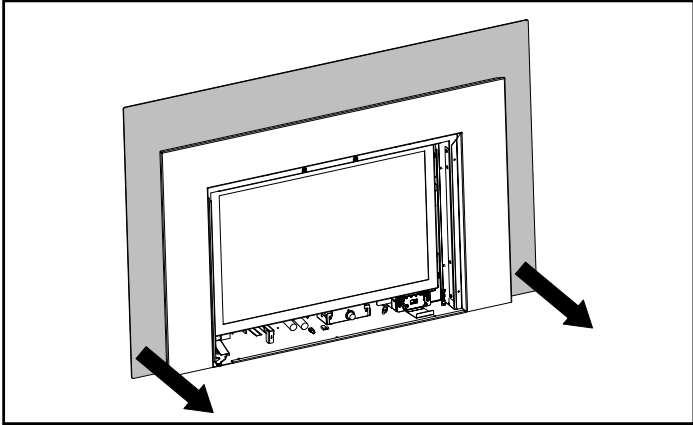
6. Fasten the four screws on both sides to attach the faceplate.



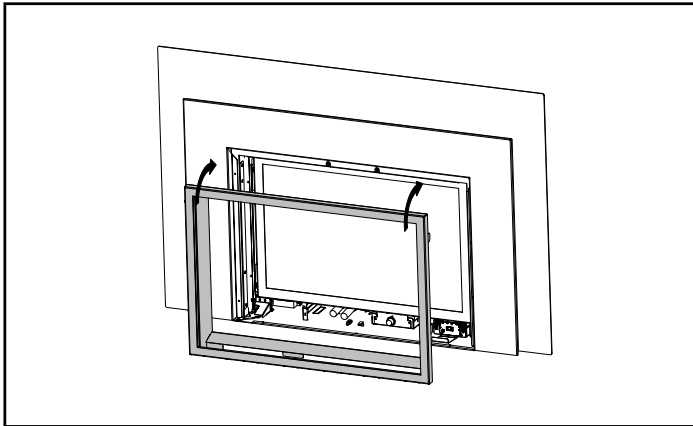
7. Slightly loosen the screws shown below on both sides.



8. Pull the backing plate as far forward as possible against the faceplate, then retighten the screws on both sides.



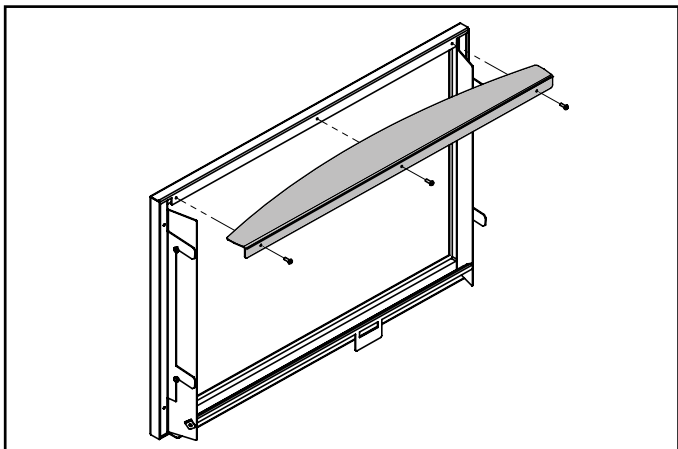
9. Install the compact screen.



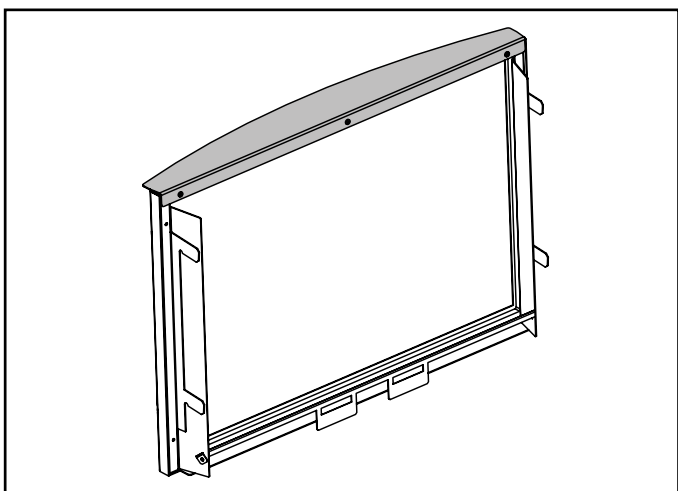
installation

Mantel Deflector Installation

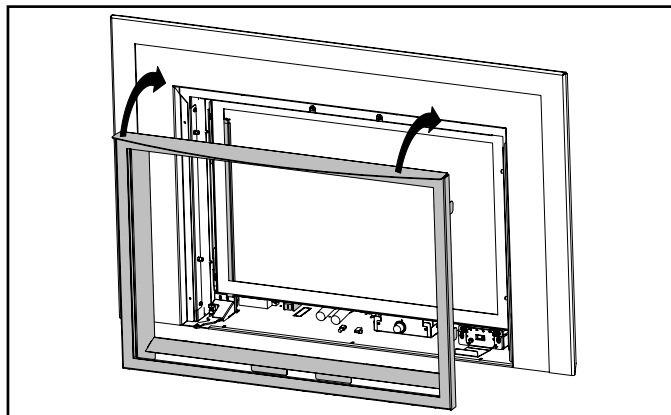
1. Fasten the three screws provided from the back to attach the mantel deflector.



2. Mantel deflector installed.



3. Install the compact screen.



Premium Faceplate Surround Installation

These instructions are for use with the following products:

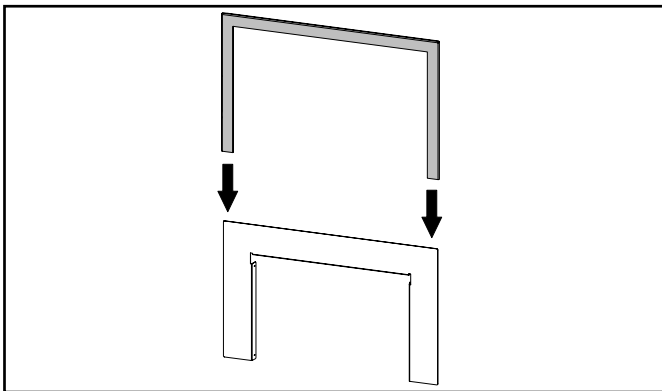
PART #	Description
391-920	Faceplate Surround Black
391-921	Faceplate Surround Grey
391-922	Faceplate Surround White
391-923	Faceplate Surround Sunset Bronze
391-924	Faceplate Surround Brushed Nickel

Note:

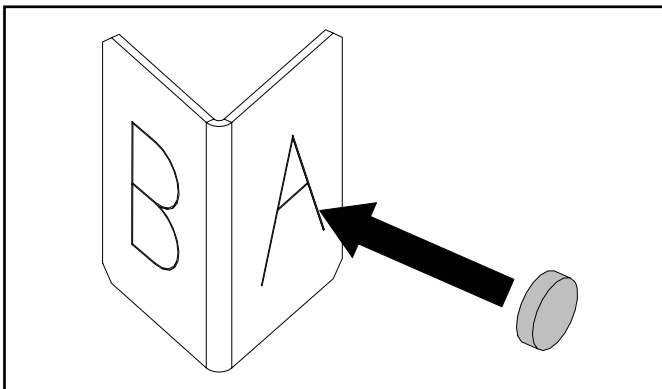
For installing Premium Surrounds with Flush 3-Sided faceplate use steps 1 – 5.

For installing Premium surrounds with Regular 3-Sided faceplate ignore steps 2 and 3.

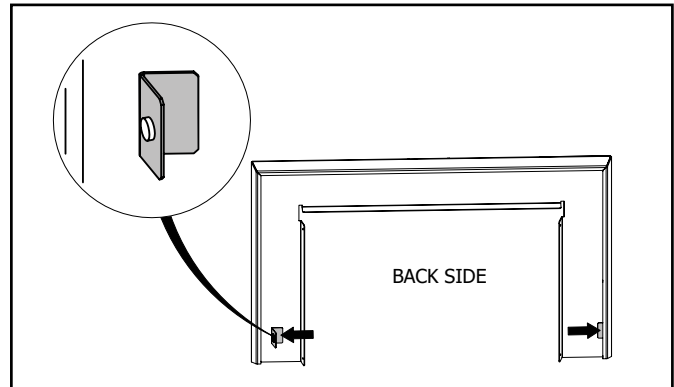
1. Gently slide the faceplate surround on from the top.



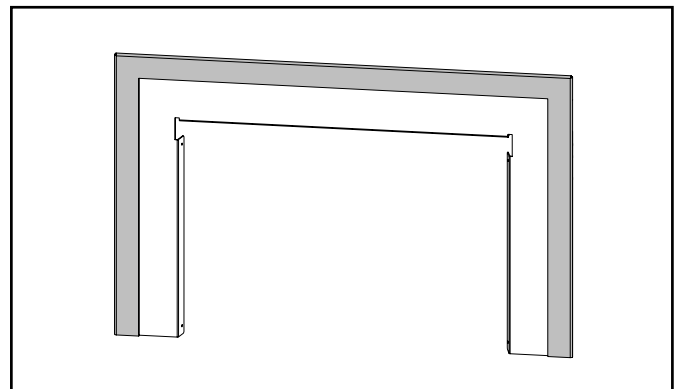
2. If using a Gi33 3-Sided Flush Faceplate (391-912), place the magnet on face A. One magnet per bracket.



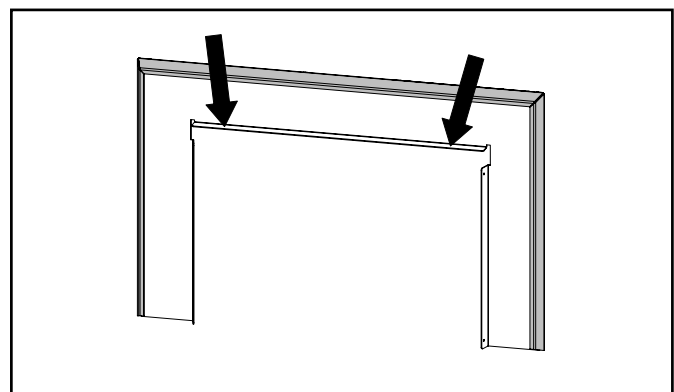
3. Ensure the faceplate and faceplate surround are pressed against each other. Insert the brackets on both sides, at the bottom.



4. Faceplate surround installed.



5. Lift the faceplate and faceplate surround up from this flange, as shown, and refer to "Faceplate / Finishing Trim Installation".



installation

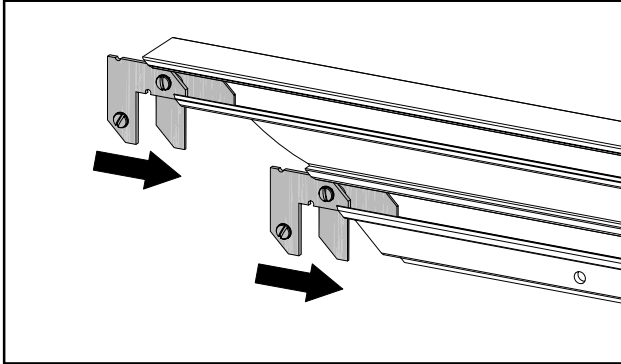
Traditional Faceplate Surround Installation (Part #391-927, 391-928)

These instructions are for use with the following products:

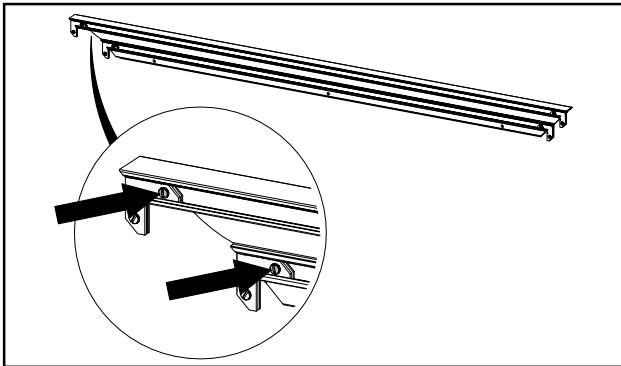
PART #	Description
391-927	Traditional Surround Black
391-928	Traditional Surround Brushed Antique Copper

Note: Traditional surround fits only the 391-912 3-sided flush faceplate.

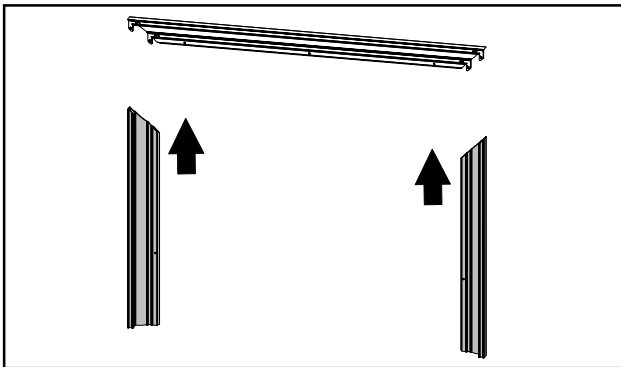
1. Slide the corner clips in on either end.



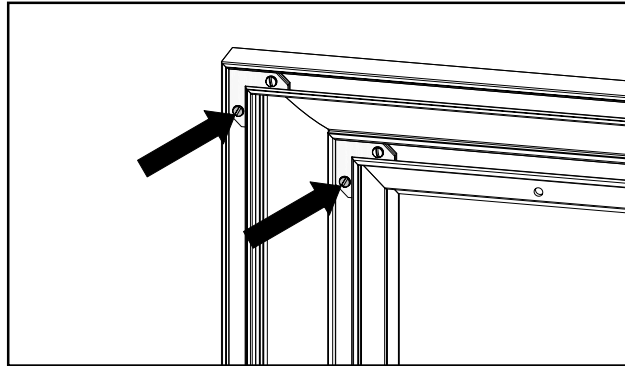
2. Tighten the top screws (x4).



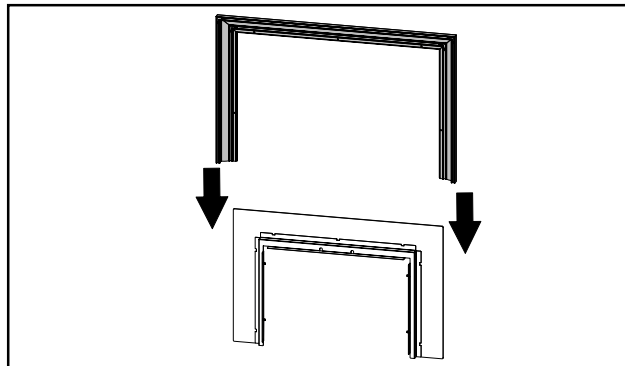
3. Slide the side pieces on.



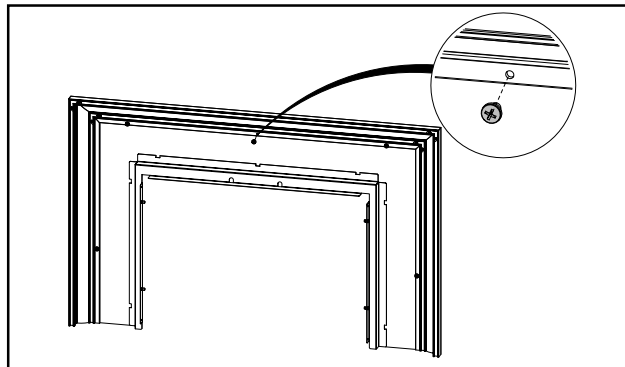
4. Tighten the bottom screws (x4).



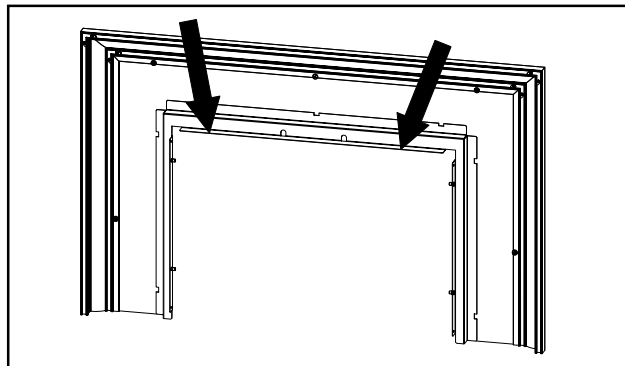
5. Gently slide the traditional surround on from the top.



6. Insert and tighten the rear screws (x5). Traditional surround installed.



7. Lift the faceplate and traditional surround up from here and refer to "Faceplate / Finishing Trim Installation".

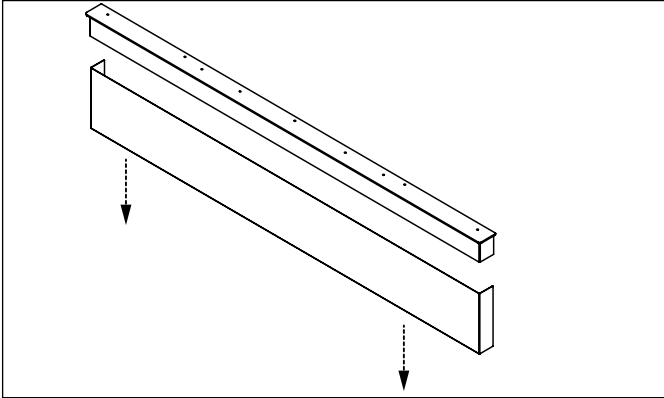


Hearth Trim Installation - Trimming to Height

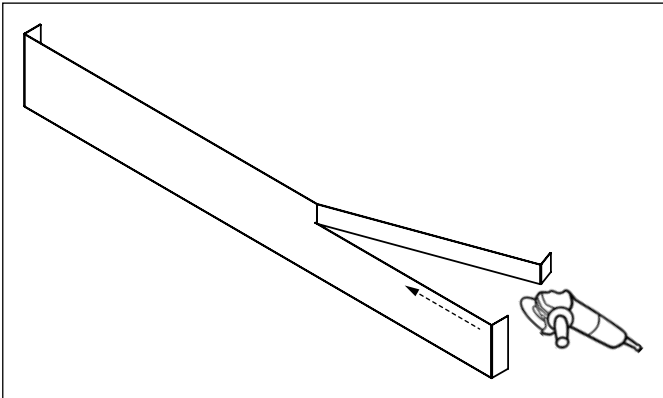
NOTE

Part can only be installed with the Gi33 Regular Faceplate 391-910 or Regular Faceplate and Premium Surrounds (391-920/-921/-922/-923/-924).

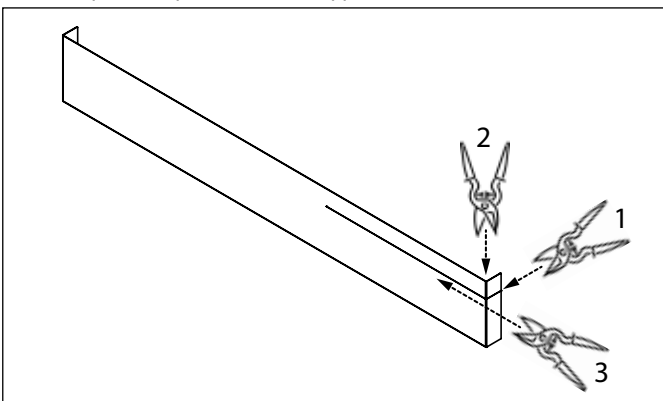
1. Remove the lower section of hearth trim by pulling evenly from both sides.



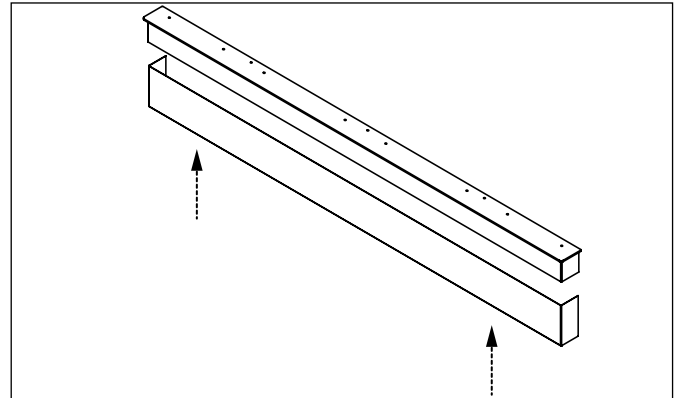
- 2a. If using a grinder (recommended): Trim the lower section to height referring to the installation table for the amount to remove.



- 2b. If using snips:
 - Cut horizontally, referring to the installation table for the amount to remove.
 - Cut vertically along the corner to meet the previous cut.
 - Cut horizontally across the front face.
 - Repeat the process on the opposite side.



3. Slide the lower section back into the clips on the rear of the upper section.



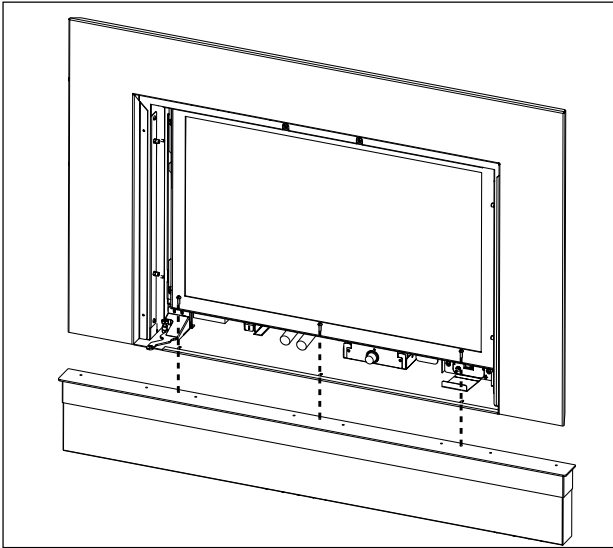
Installation Table

Required install height	Height to cut off lower section
6" (Max)	None
5-1/2"	1/2"
5"	1"
4-1/2"	1-1/2"
4"	2"
3-1/2"	2-1/2"
3"	3"
2-1/2"	3-1/2"
2" (Min)	4"

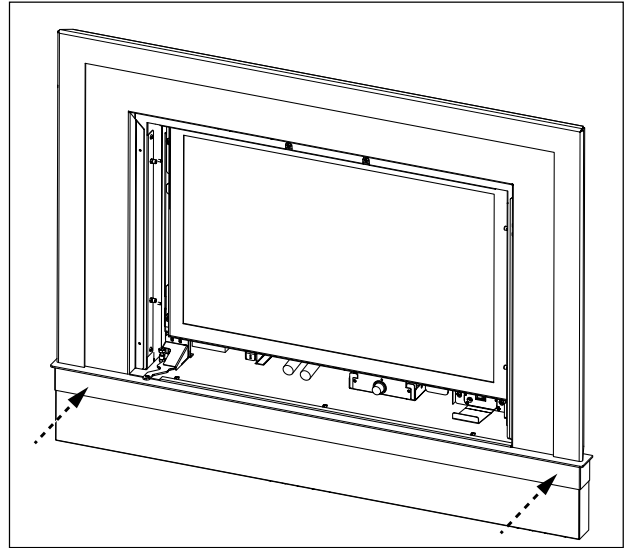
installation

Hearth Trim Installation - Mounting Hearth Trim

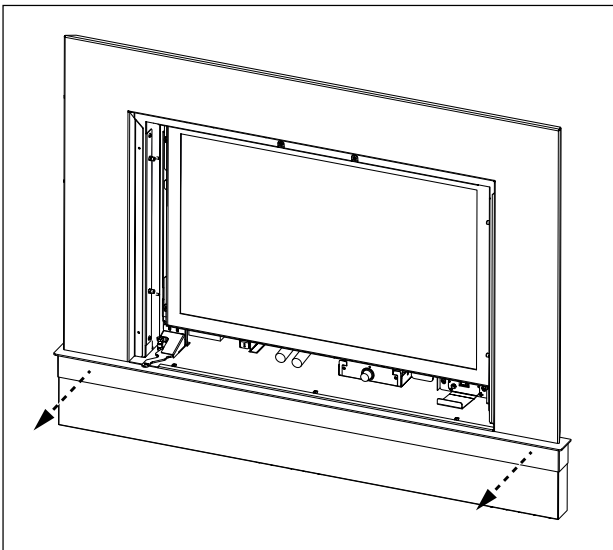
1. Loosely attach the hearth trim using the slots in the unit's base and the included screw.



2b. With premium surround: slide the hearth trim as far back as possible (careful not to scratch it) and tighten the screws.



2a. Without premium surround: slide the hearth trim as far forward as possible (careful not to scratch it) and tighten the screws.



Optional Wall Thermostat

A wall thermostat may be installed if desired; follow the wiring diagram below. FPI offers an optional programmable thermostat, but any 250-750 millivolt rated non-anticipator type thermostat that is CSA, ULC, or UL approved may be used.

Thermostat Wire Table

Recommended Maximum Lead Length (Two-Wire) When Using Wall Thermostat (CP-2 System)	
Wire Size	Max. Length
14 GA.	50 ft.
16 GA.	32 ft.
18 GA.	20 ft.
20 GA.	12 ft.
22 GA.	9 ft.

CAUTION • Do not connect the millivolt wall thermostat wires to the 120 V wires.

Supplied Remote Control

Use the FPI remote control kit supplied with this unit. Use of other systems may void your warranty.

The remote control kit comes with a handheld transmitter.

1. Install three AAA alkaline batteries in the transmitter. Locate the ON/OFF switch located on the lower left hand side of appliance and turn switch to ON position - it is now ready for operation.

Final Check

Before leaving this unit with the customer, the installer must ensure that the appliance is firing correctly. This includes:

1. Clocking the appliance to ensure the correct firing rate (noted on the label) at 15 minutes.
2. If required, adjusting the primary air to ensure that the flame does not carbon. Allow the unit to burn for 15 min. to stabilize.
3. Checking for proper draft.

CAUTION Any alteration to the product that causes sooting or carboning resulting in damage to the exterior fascia is not the responsibility of the manufacturer.

installation

WIFI Dongle Installation

Atmosphere Gas Inserts

Note: For City series installation of the WIFI dongle, see pages 3 to 5.

Caution: The gas supply shall be shut off to the appliance & 120 Volt AC power must be disconnected, before proceeding with the WIFI Kit Installation.

1. Remove safety screen and glass front. See manual.
2. Locate Phillips head screw. Remove screw to release IFC tray. See diagram 1.



Diagram 1

Location of Phillips head screw

3. Pull out IFC tray. Disconnect wires if unable to pull tray out. See diagrams 2 & 3.
- Note:** If wires are disconnected ensure you mark wires so you know how to reconnect when reassembling.



Diagram 2

Shown with wires connected



Diagram 3

Shown with 2 wires disconnected

4. Locate the dongle connection (X0A). See diagram 4.



Diagram 4

5. Line up the tabs on the dongle with the notches on the IFC connection and insert the cable into the connection. See diagram 5.

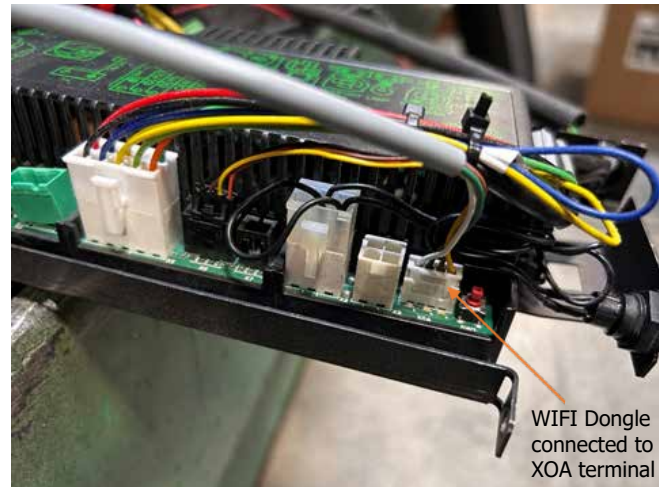


Diagram 5

WIFI Dongle connected to X0A terminal

6. Apply Velcro strips to the bottom of the dongle and to the rear of the IFC tray. See diagrams 6 & 7.



Diagram 6 Velcro affixed to WIFI dongle



Diagram 7 Velcro affixed to IFC Tray

7. Attach the dongle onto the IFC tray. See diagram 8.



Diagram 8

8. Reverse steps 3-1.

Note: Ensure when sliding the IFC tray back into position that the wires do not come into contact with the firebox base or fan/blower motor.

9. Gas supply can be turned back on & 120 Volt Ac power may be reconnected.

10. See QR code below or on box from this WIFI kit to install the Proflame app.



installation

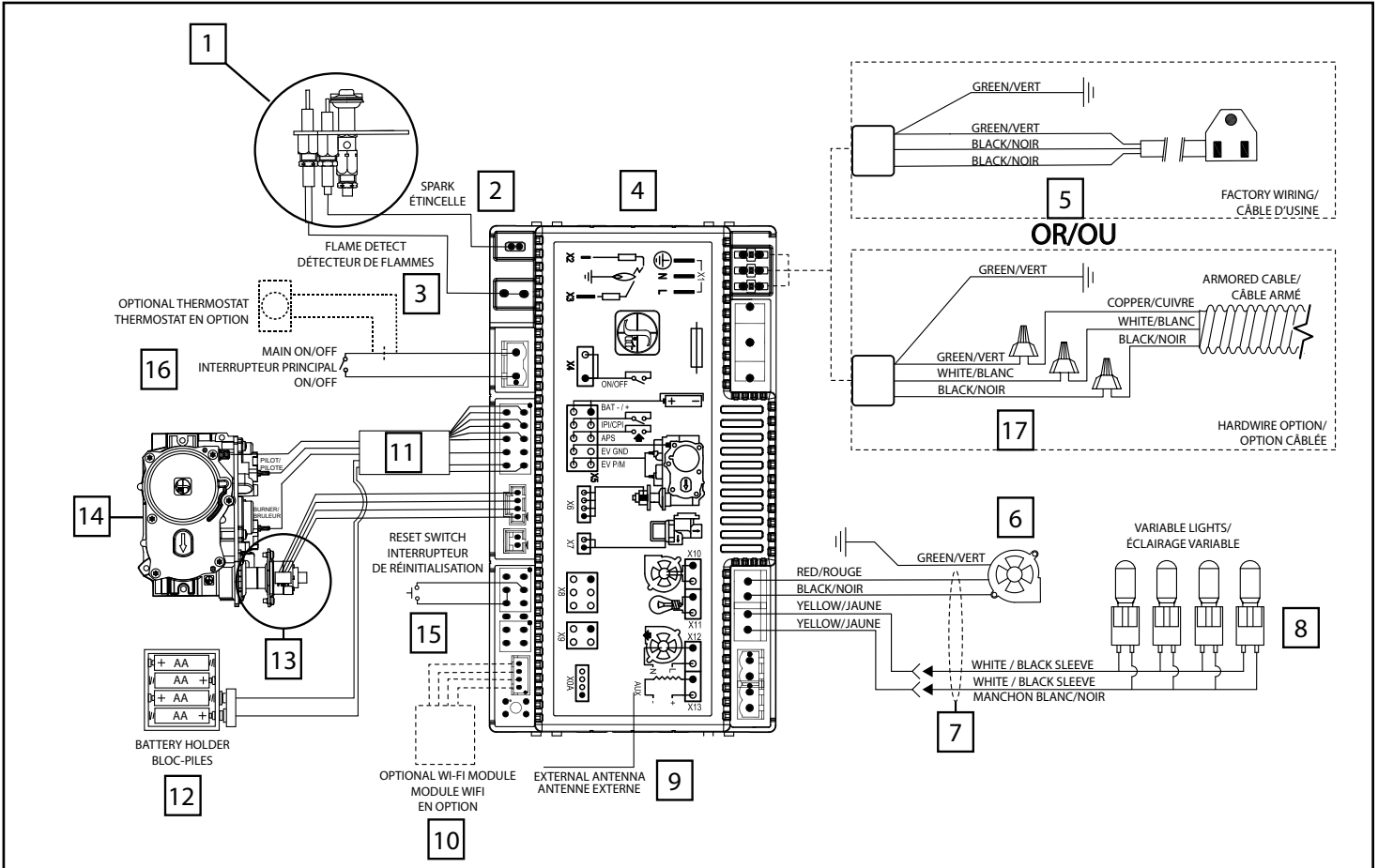
Wiring Diagram

This heater does not require a 120 V A.C. supply for operation. In case of a power failure, the burner switch and the remote control/thermostat will continue to operate on backup battery. However, a 120 V A.C. power supply is needed for the fan/blower operation.

WARNING

- Ensure that the wires do not touch any hot surfaces and are away from sharp edges.
- **Electrical Grounding Instructions:**
This appliance is equipped with a three-prong (grounding) plug for your protection against shock hazard and should be plugged directly into a properly grounded three-prong receptacle. Do not cut or remove the grounding plug from this plug.

S.I.T. Valve



Item	Part No.	Description
1	911-276	Pilot Assembly NG
	911-277	Pilot Assembly LP
2	911-038	Spark Electrode
3	911-037	Flame Sensor Electrode
4	911-311	IFC Board SIT Profm II Wifi
5	911-179	Power Cord IFC Proflame II 120 Volts
6	911-071/P	Fan EBM 60mm x 300mm 115 Volts
7	911-377	Wire 4 pos IFC Fan/Light Gi29LE
8	911-312	Light Assembly Bottom
8	911-297	Halogen Bulb (Each)

Item	Part #	Description
9	911-210	External Antenna
10	911-323	Wifi Dongle
11	911-173	Wire Harness IFC No CPI Switch 584.924
12	911-018	Battery Holder
13	911-190	Stepper Motor-NG
13	911-191	Stepper Motor-LP
14	911-188	Valve-NG
14	911-189	Valve-LP
15	911-242	Reset Switch
16	311-526	Main Switch Assembly
17	946-854	Hardwire Kit

Operating Instructions

Before operating this appliance, proceed through the following checklist.

1. Read and understand these instructions before operating this appliance.
2. Check to see that all wiring is correct and enclosed to prevent possible shock.
3. Check to ensure there are no gas leaks.
4. Make sure the glass door is in place. Never operate the appliance with the door glass removed.
5. Verify that the venting and the cap is unobstructed.
6. Verify the placement of logs and other decorative media. If the pilot cannot be seen when lighting the unit, the logs/media are incorrectly positioned.
7. DO NOT turn the unit off and on without first waiting 60 seconds.
8. When lighting the appliance, the inside of the glass may fog. This will burn off after a few minutes of operation.

DO NOT BURN THE APPLIANCE WITH THE GLASS DOOR REMOVED.

Lighting Procedure

IMPORTANT The remote control system supplied with this appliance has an ON/OFF key on the hand held transmitter. Prior to operating this appliance, please read the remote control operating instructions (packaged with remote control) to understand how to operate this remote control system.

1. Press and release the ON/OFF button on the remote handheld transmitter (see Diagram 1). An audible beep should be heard from the receiver.
2. After approximately 4 seconds the spark ignition system will spark for 60 seconds to light the pilot.
3. The unit will turn on.

Shutdown Procedure

1. Press the ON/OFF button on the remote
2. If service is to be performed - you must disconnect power and shut off gas to the unit.

First Fire

The first fire in your stove is part of the paint curing process. To ensure that the paint is properly cured, it is recommended that you burn your fireplace for at least four (4) hours the first time you use it, with the fan on. The unit will release an odour caused by the curing of the paint and the burning of any oils remaining from manufacturing. Smoke detectors in the house may go off at this time. Open a few windows to ventilate the room for a couple of hours.

The glass panel may require cleaning after the unit has cooled down.

DO NOT ATTEMPT TO CLEAN THE GLASS WHILE IT IS HOT.

NOTE When the glass is cold and the appliance is lit, condensation may fog the glass. This is normal and will disappear in a few minutes as the glass heats up.

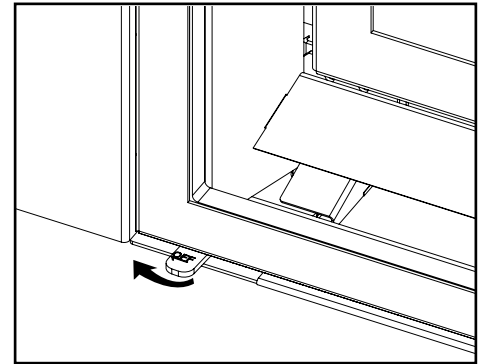
DO NOT BURN THE APPLIANCE WITHOUT THE GLASS FRONT IN PLACE.

During the first few fires, a white film may develop on the glass front as part of the curing process. The glass should be cleaned or the film will bake on and become very difficult to remove. Use a non-abrasive cleaner and NEVER clean the glass while it is hot.

Automatic Convection Fan Operation

The fan operates automatically once turned on. Adjust the fan speed with the remote. The fan will turn on as the stove comes to operating temperature. After the unit is turned off and cooled to below a useful heat output range, the fan will shut off automatically.

On/Off Switch



With the pilot on, turn the switch to the right to turn the burner on. Moving the switch to the left will turn the burner off.

NOTES

- This ON/OFF switch will be located on the lower left-hand side of the appliance as shown above.
- This ON/OFF switch overrides the remote functionality. Ensure switch is left in ON position when using the remote control.

operating instructions

Normal Operating Sounds of Gas Appliances

It is possible that you will hear some sounds from your gas appliance. This is due to the various gauges and types of steel used within your appliance. Some examples are listed below. All are **normal operating sounds** and should not be considered defects in your appliance.

Blower:

Regency® gas appliances use high-tech blowers to push heated air further into the room. It is not unusual for the fan to make a “whirring” sound when on. This sound will increase or decrease in volume depending on the speed setting of your fan speed control.

Burner Tray:

The burner tray is positioned under the burner tube(s) and logs, and is made of a different gauge material from the rest of the firebox and body. The varying thicknesses of steel will expand and contract at slightly different rates, causing ticking and cracking sounds. You should also be aware that as there are temperature changes within the unit, these sounds will likely recur.

Pilot Flame:

While the pilot is on, it may make a whisper sound.

Gas Control Valve:

As the gas control valve is turned on and off, it may make a dull clicking sound. This is normal operation of a gas regulator or valve.

Unit Body/Firebox:

Different types and thicknesses of steel will expand and contract at different rates resulting in some cracking and ticking sounds will be heard throughout the cycling process.

Maintenance Instructions

1. Always turn off the valve before cleaning. For relighting, refer to lighting instructions. Keep the burner and control compartment clean by brushing and vacuuming at least once a year. When cleaning the logs, use a soft clean paint brush as they are fragile.
2. Clean the glass (never when the unit is hot), appliance, and door with a damp cloth. Never use an abrasive cleaner.
3. The heater is finished in porcelain or with heat-resistant paint, and should only be refinished with heat-resistant paint (not with wall paint).

Never use an abrasive cleaner.

4. Check the burner’s position and condition periodically, as well as the burner flame, making sure it is steady, not lifting or floating. If there is a problem, call a qualified service person.
5. The appliance and venting system must be inspected before use and at least annually by a qualified field service person, to ensure the unobstructed flow of combustion and ventilation air.

During the annual service call, the burner should be removed from the burner tray and cleaned. Replace the embers but do not block the pilot.

CAUTION

- Label all wires prior to disconnection when servicing controls. Wiring errors can cause improper and dangerous operation.
- Any safety screen or guard removed for servicing an appliance must be replaced prior to operating the appliance.
- Clothing or other flammable material should not be placed on or near the appliance.

CHILDREN AND ADULTS SHOULD BE ALERTED TO THE HAZARDS OF HIGH SURFACE TEMPERATURE AND SHOULD STAY AWAY TO AVOID BURNS OR CLOTHING IGNITION. YOUNG CHILDREN SHOULD BE CAREFULLY SUPERVISED WHEN THEY ARE IN THE SAME ROOM AS THE APPLIANCE.

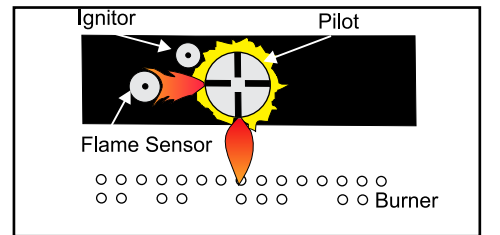
DO NOT USE THIS APPLIANCE IF ANY PART HAS BEEN UNDER WATER. IMMEDIATELY CALL A QUALIFIED SERVICE TECHNICIAN TO INSPECT THE APPLIANCE AND REPLACE ANY PART OF THE CONTROL SYSTEM AND ANY GAS CONTROL WHICH HAS BEEN UNDER WATER.

6. Keep the area near the appliance clear and free from combustible materials, gasoline, and other flammable vapours and liquids.
 7. Condensation may fog the glass when the appliance is lit. This is normal and will disappear as the glass heats up.
- Never operate the appliance without the glass properly secured.**
8. Periodically check the pilot flames. Correct flame pattern has two strong blue flames: one around the thermocouple, and one flowing across the rear of the burner (it does not have to be touching the burner).

NOTE If you have an incorrect flame pattern, contact your Regency® dealer for further instructions.

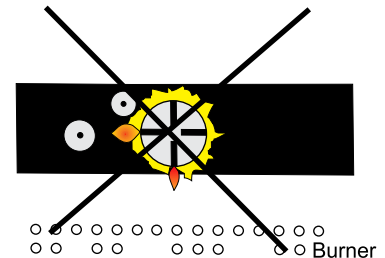
Flame Pattern

Periodically check the pilot and main burner flames. Correct pilot flame pattern has two strong blue flames: 1 flowing around the flame sensor and 1 flowing across the burner (it does not have to be touching the burner).



Note: If you have an incorrect flame pattern, contact your Regency® dealer for further instructions.

Incorrect flame pattern will have small, probably yellow flames, not coming into proper contact with the rear burner or flame sensor.



Top View of Pilot Flame

9. Verify operation after servicing.

Door Glass

Your Regency insert is supplied with high-temperature Neoceram glass that will withstand the highest heat your unit can produce. If your glass requires cleaning, we recommend using an approved glass cleaner available at all authorized dealers. Do not use abrasive materials. Do not clean the glass when hot.

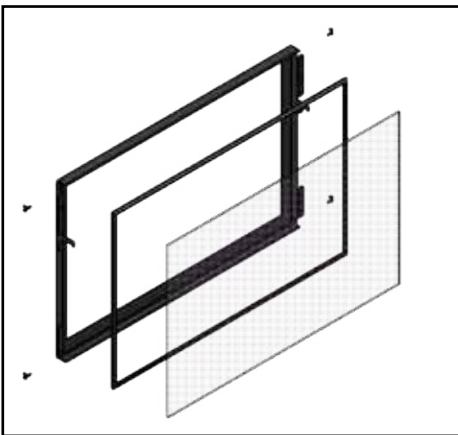
If you break the door glass, purchase a replacement from an authorized Regency dealer and follow our step-by-step instructions for replacement.

CAUTIONS	• Do not clean when the glass is hot.
	• The use of substitute glass will void all product warranties.
	• Take care not to break the glass.
	• Do not operate this fireplace without the glass front, or with broken glass.
	• Wear gloves when removing damaged or broken glass.
	• Replacement of the glass panel(s) should be done by a qualified service person.

Glass Replacement

In the event that you break your glass, purchase your replacement from an authorized Regency® dealer.

Replacement ceramic glass (Part #940-553/P) is shipped with a gasket.



General Vent Maintenance

Conduct an inspection of the venting system semiannually. Areas to inspect are as follows:

1. Check the venting system for corrosion in areas exposed to the elements. Components with rust spots, streaks, or holes should be replaced immediately.
2. Remove the termination cap and shine a flashlight down the vent. Remove any bird nests or other foreign material.
3. Check for evidence of excessive condensation, such as water droplets in the inner liner dripping out the joints. Continuous condensation can cause corrosion of caps, pipes, and fittings. It may be caused by excessive lateral runs, too many elbows, or exposure to cold weather.
4. Inspect joints to verify that no pipe sections or fittings have been disturbed and consequently loosened. Also, check mechanical supports such as wall straps or plumber's tape for rigidity.

Log Replacement

Never use the unit with broken logs. Turn off the gas valve and allow the unit to cool before carefully removing the logs. Use the proper replacement log for any that are broken. Position the logs as shown in the diagram in the "Log Installation" section of this manual.

NOTE	• Improper positioning of logs may create carbon build-up and will alter the unit's performance which is not covered under warranty.
-------------	--

Glass Gasket

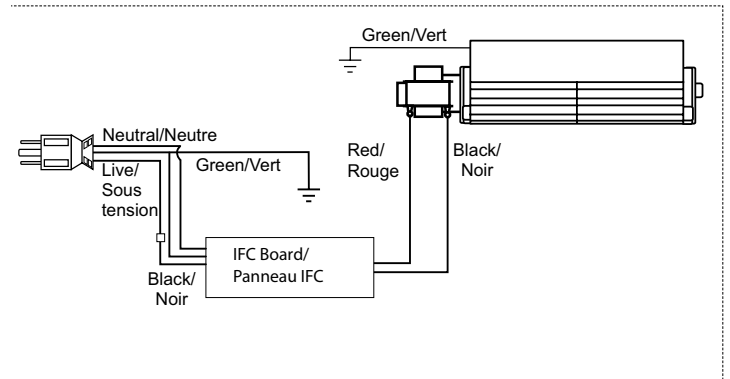
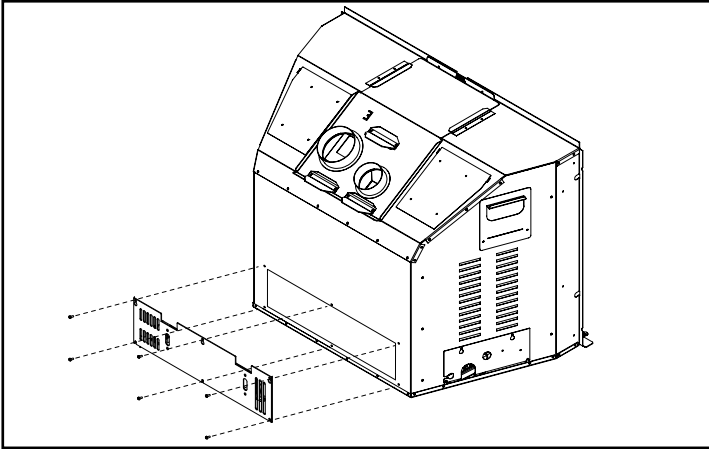
If the glass gasket requires replacement, use Part # 846-700.

maintenance

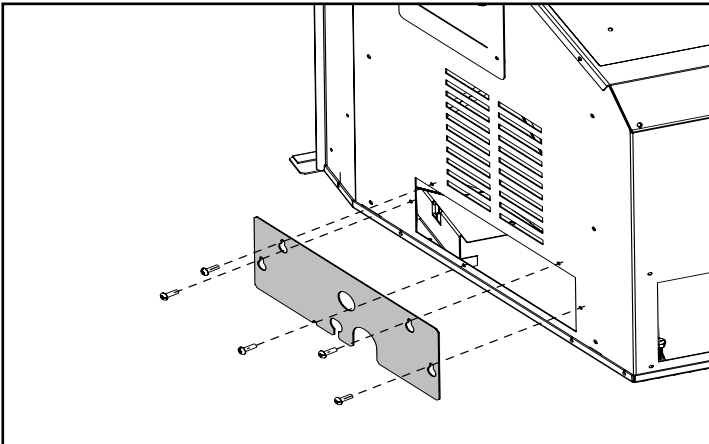
Fan Replacement

NOTE • To access the side and rear panels, disconnect the gas and venting (see the venting and flue installation sections in this manual for steps). You cannot access the blower from the front of the appliance.

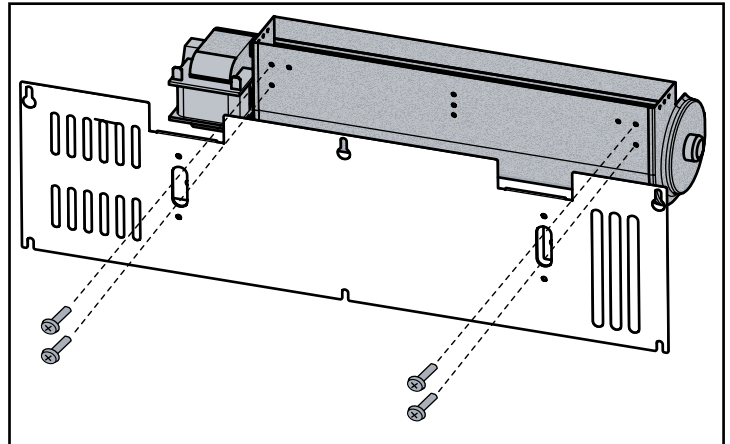
1. Shut the power off.
2. From the back of the unit, remove the six screws, then lift the fan mount plate out.



3. Remove the electrical access panel from the left side of the insert by removing five screws.

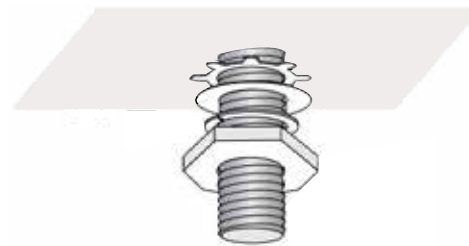
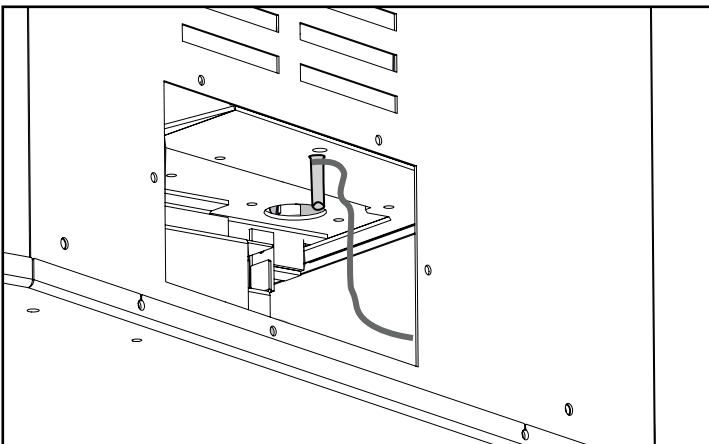


5. Remove the fan from the mounting plate by removing four screws from the outside of the fan access panel.



4. Disconnect the green ground wire on the right side of the unit (refer to wiring diagram).

6. Disconnect the red and black wire from the fan motor and green ground wire.



7. To install, reverse these steps.

Valve Replacement

Before you begin:

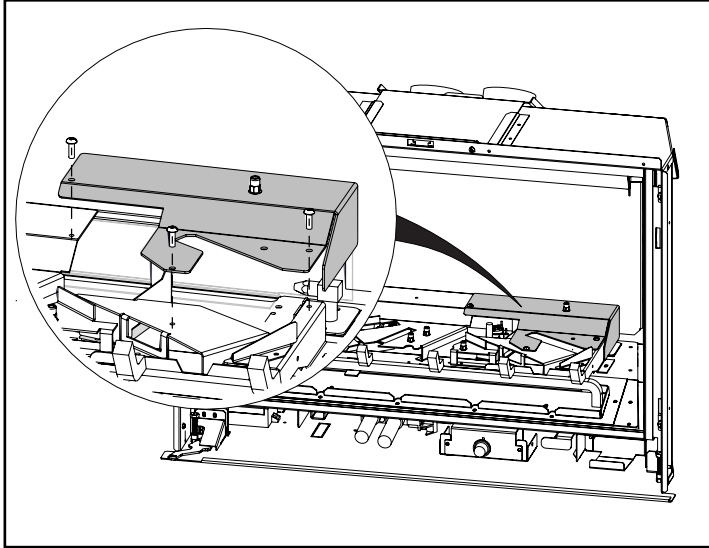
- Shut off the gas supply to the unit.
- Disconnect all electrical supply to the unit.
- Remove door, see glass door removal section for instructions.

Always let the appliance cool to room temperature before servicing.

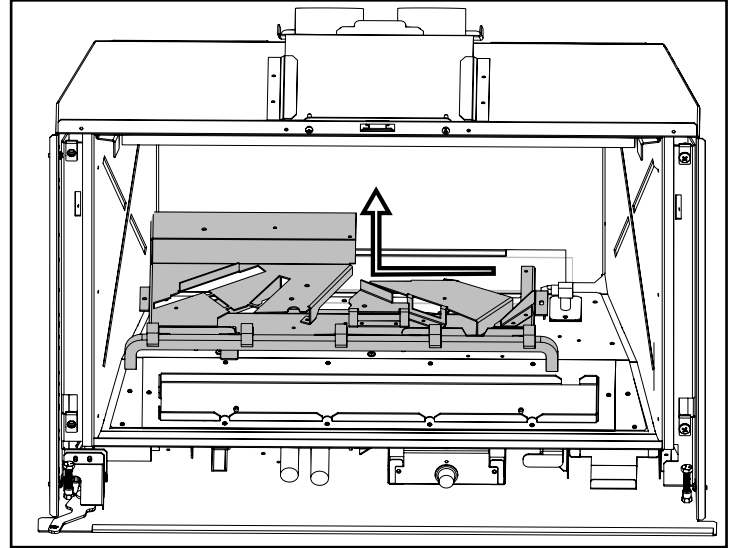
NOTE

When the glass is cold and the appliance is lit, condensation may fog the glass. Condensation is normal and will disappear in a few minutes as the glass heats up.

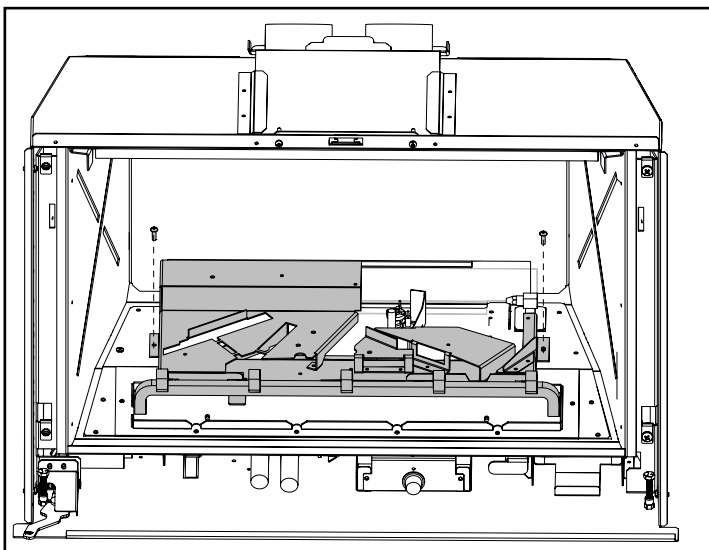
1. Remove the pilot cover (3 screws).



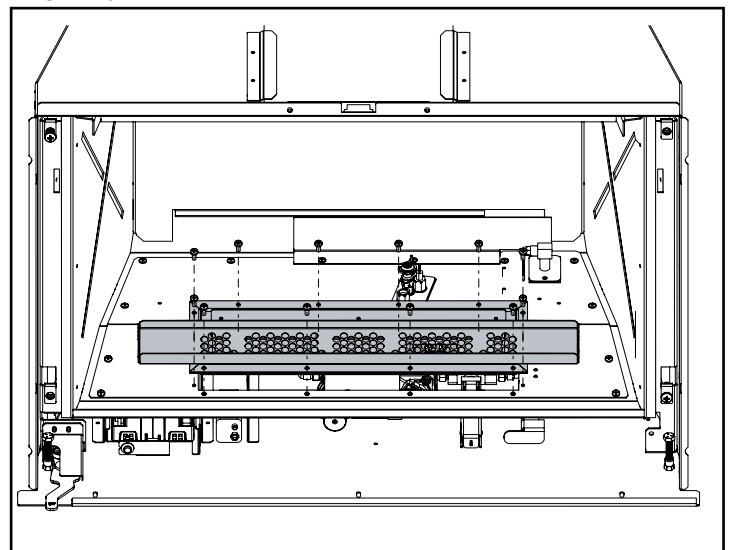
3. Slide burner tray to the left and out.



2. Remove the burner tray (2 screws).

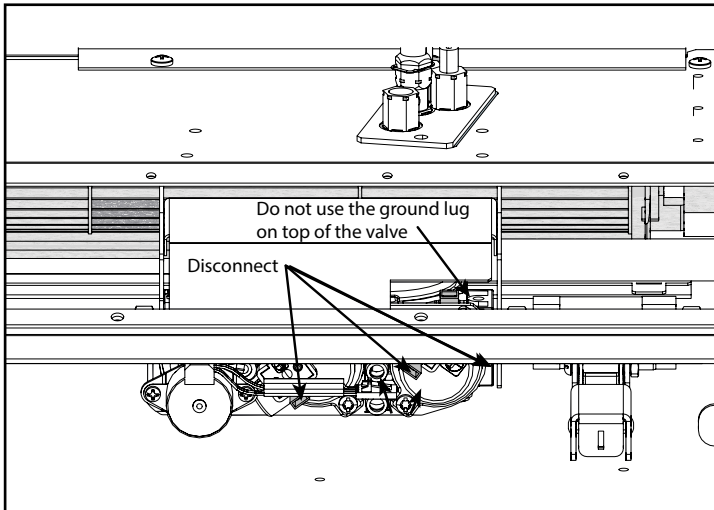


4. Remove the light tray by removing the 12 screws and disconnecting the light tray cable underneath.

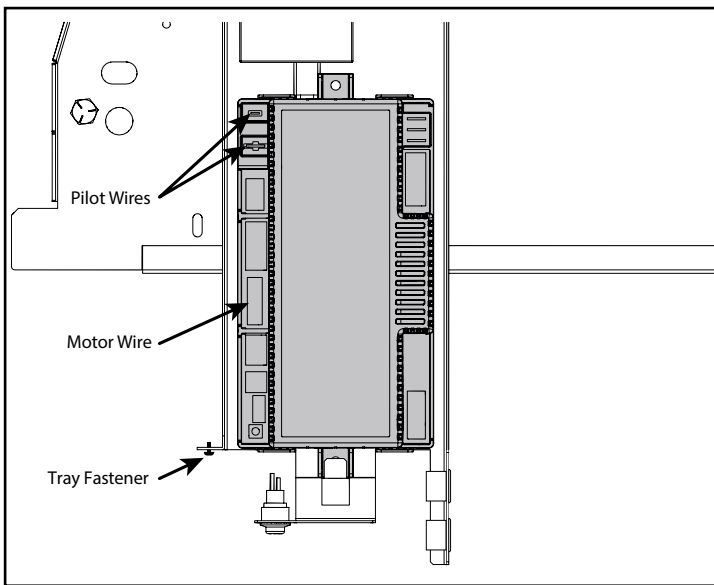


maintenance

5. Disconnect the green, orange and yellow cables from the valve.



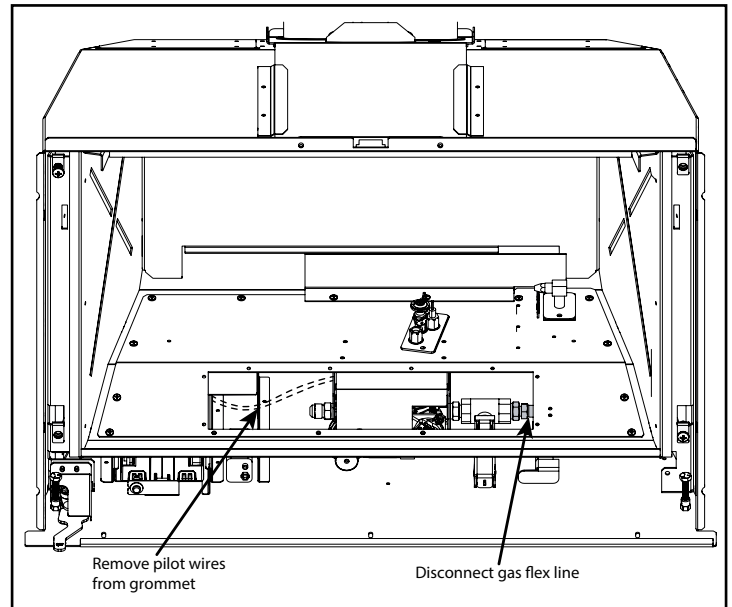
6. Remove tray fastener by removing 1 phillips head screw as shown below, slide out IFC tray and disconnect the pilot wires marked X2 & X3 on IFC and motor wire marked X6 on IFC.



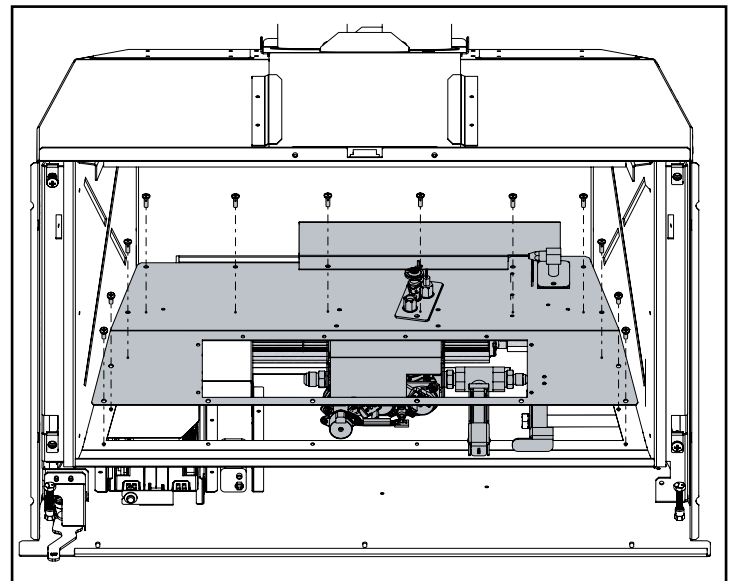
Warning: Ensure wires are tucked back into place and not touching the firebox base after servicing.

NOTE Wires must be secured by gray clips when reinstalling.

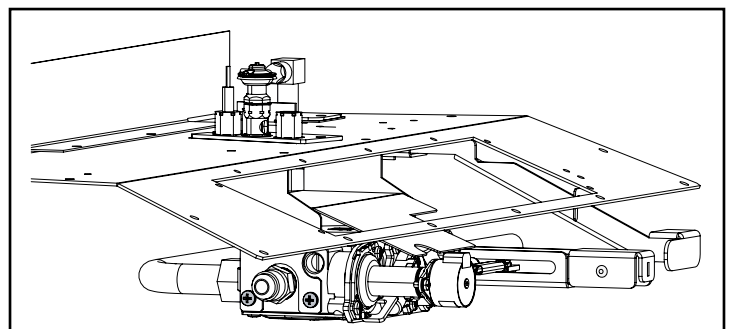
7. Disconnect the incoming gas flex line from the ball valve. Slide the pilot wires through the grommet to remove.



8. Remove the remaining 12 screws and lift the valve tray out.



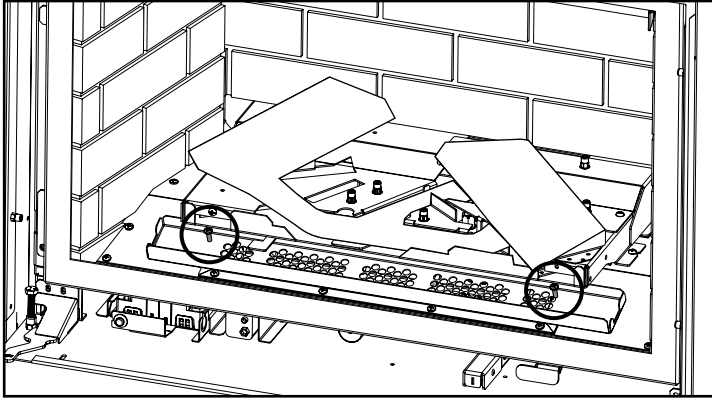
9. Remove the 2 screws from each side of the valve and disconnect pilot gas line to remove valve.



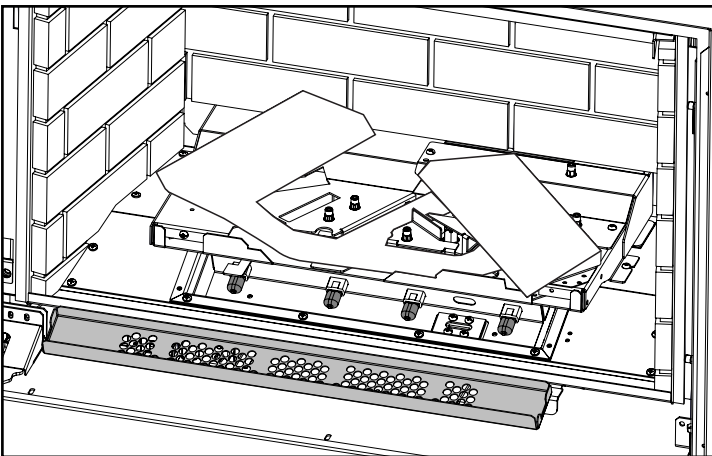
10. Reverse steps 9-1 to replace with new gas valve assembly.

Light Bulb Replacement

1. Remove screen, glass door, logs and any other media, log grate, and lower panel (if installed).
2. Remove two (2) screws from light assembly cover in the locations shown below.

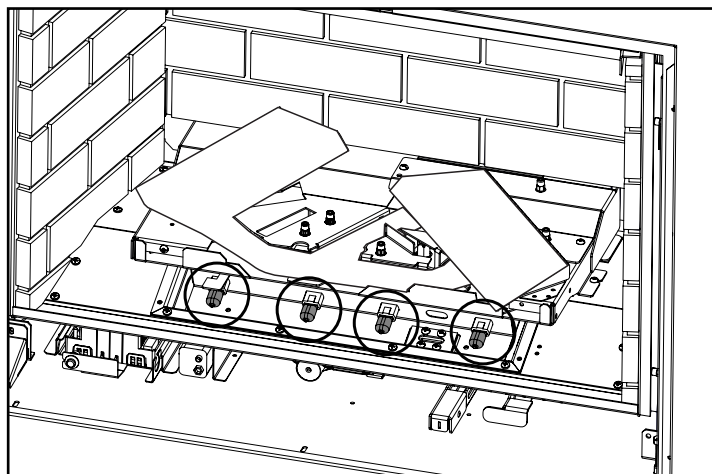


3. Lift the light assembly cover out of the way.



4. Install or replace bulbs as required.

NOTE: Do not touch bulbs with bare hands, use gloves or a tissue when handling bulbs. Part # of each bottom bulb is 911-297. There are 4 per unit.



5. Reverse steps to reassemble unit.

maintenance

Gas Maintenance - Recommended Annual Routine

In order for your Regency appliance to continue to provide comfort to your home periodic maintenance must be performed to ensure it is operating at peak efficiency. The items in the list should be checked by a licensed gas service technician during the annual service check. Your unit may require more frequent maintenance checks if you notice any changes in how it operates. Operational changes to look for can include, but are not limited to, extended start up time, increased fan noise, residue/carbon build up, white build up on the glass/firebox, increased operating noise etc. Should any of these or other conditions arise, discontinue use and schedule a service check with your local licensed gas technician. The list below shows items your licensed service technician will need to check and service at least annually.

Clean

- Glass
- Interior bricks / panels
- Burner ports & burner air shutter
- Fan blades
- Log set
- Pilot orifices
- Pilot hood (change as needed)
- Flame sensor (electronic ignition models)
- Flame electrode
- Burner orifice
- Thermocouple (millivolt models)
- Thermopile (millivolt models)

Inspect

- Pilot assembly
- Burner
- Pressure relief gaskets/doors
- Flue connector gasket if present
- Door seal
- Firebox
- Venting
- Batteries (remote handheld, battery backup holder, change as needed)
- Burner media (change as needed)
- Air shutter setting
- Wiring

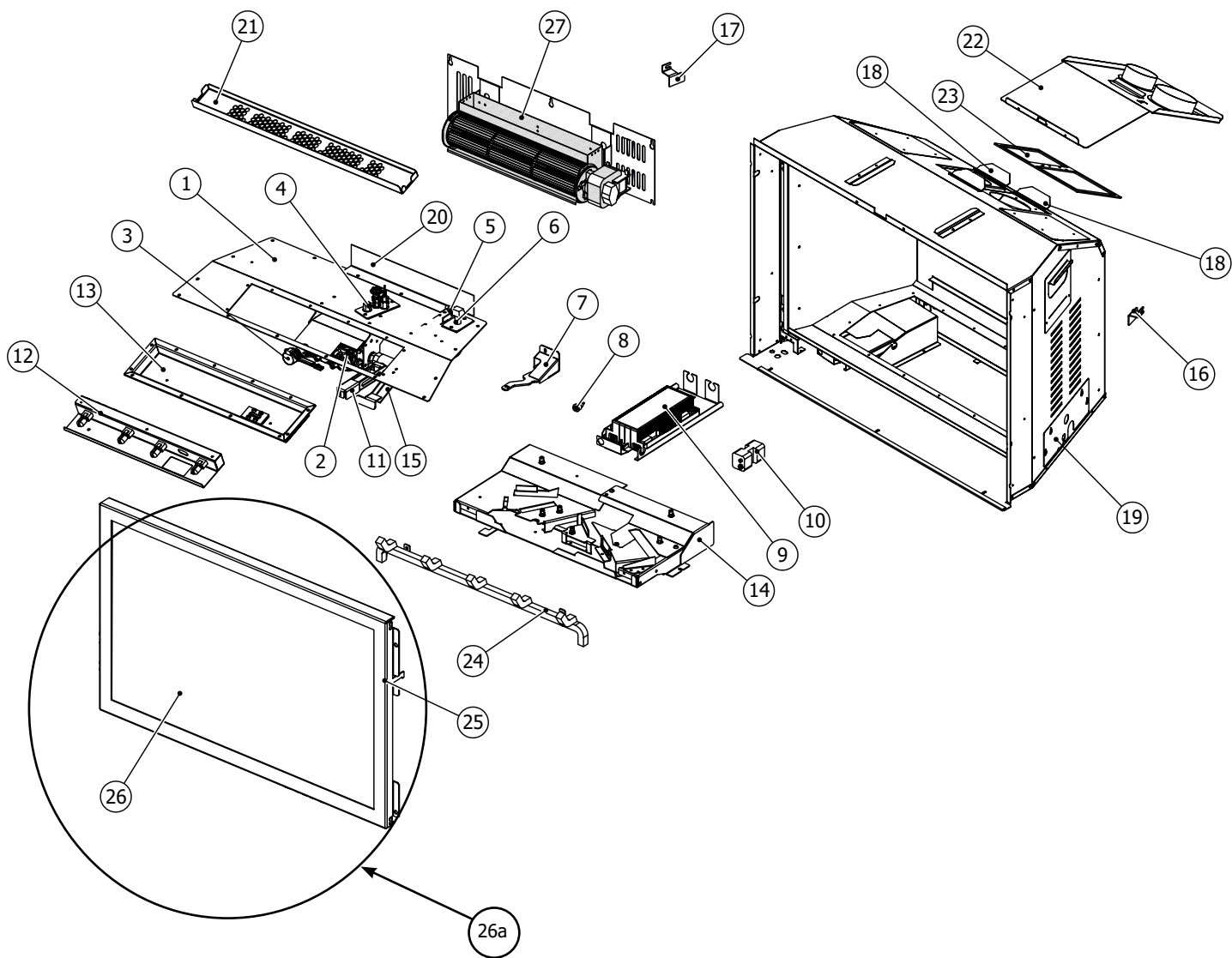
Check

- Voltage on thermocouple/thermopile (millivolt models)
- Ohms reading on flame sense (electronic ignition models)
- Inlet/outlet fuel pressures as per rating plate
- Voltage/ohms readings on gas valve
- Ohms reading to on/off switch circuit (Millivolt models)

Gas Leak Tests

- Check main gas line connection to valve
- Check shut off valve connections
- Check connection at gas valve outlet
- Check connection at main burner orifice
- Check pilot fuel line at valve and at pilot assembly

Parts - Main Assembly



parts list

Parts - Main Assembly

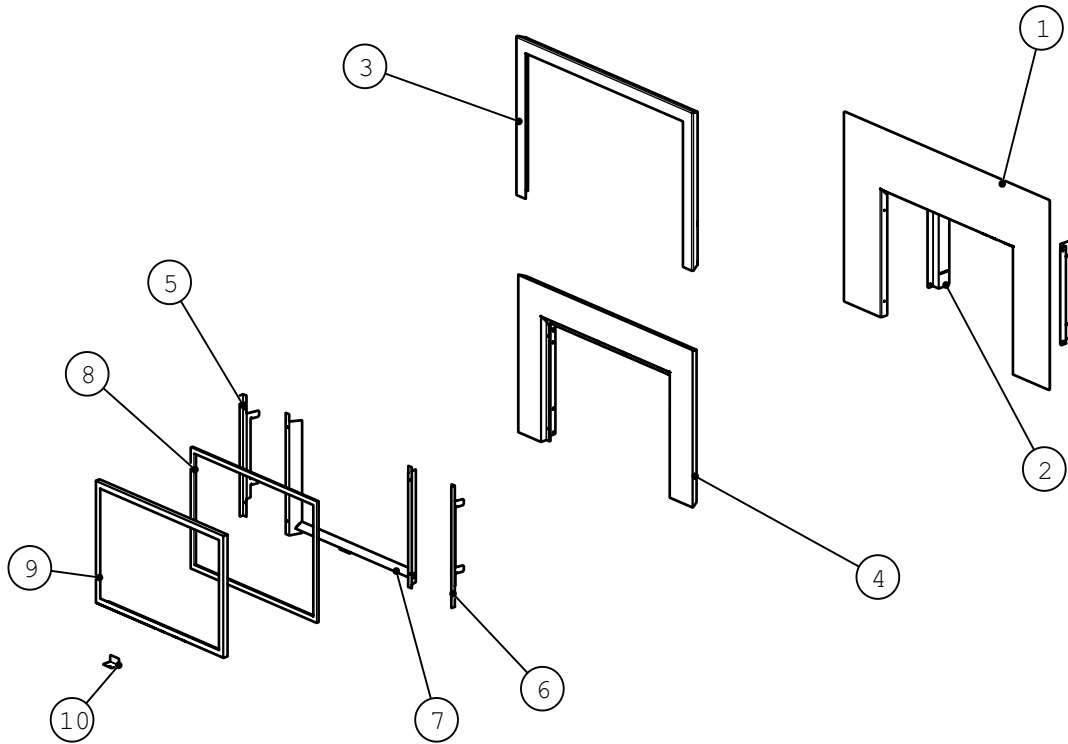
ITEM	PART #	DESCRIPTION
1	391-574/P	Valve Assembly - NG
1	391-576/P	Valve Assembly - LP
2	911-188	Valve NG 885 SIT IPI 0.885.009
2	911-189	Valve LP 885 SIT IPI
3	911-190	Stepper Motor - NG 0.907.023
3	911-191	Stepper Motor - LP 0.907.015
4	911-276	Pilot Assembly - NG
4	911-277	Pilot Assembly - LP
5	905-086	Burner Orifice #33 NG (PO512)
5	905-046	Burner Orifice #50 LP (PO512)
6	904-943	Brackrt Dormont Orifice Mnt 10-BZ001-19.5
7	311-526	ON/OFF Switch Assembly - Complete
8	911-242	Remote Sync/Reset Switch
9	911-311	Proflame II IFC Board WIFI
10	911-018	Backup Battery Holder
11	311-528	Gas Shutoff
12	911-312	Bottom Light Tray Assembly
13	391-090	Light Tray
14	312-510	Burner Tray
15	311-040	Aeration Adjustment
16	311-200	Inner Panel Retainer Clip Right
17	311-201	Inner Panel Retainer Clip Left
18	311-108	Bracket Flue
19	311-120F	Right Plate Gas/Electrical Access
20	391-085	Perforated Diffuser
21	311-033	Light Cover Tray
22	391-518	Flue Adaptor Assembly
23	391-022	Gasket Drafthood
24	311-513	Grate
25	391-004	Door Frame
26	940-553/P	Replacement Glass Includes Glass Gasket
26a	391-529	Door Glass Frame Assembly Complete (Includes Glass/Glass Gasket)
27	911-071/P	Replacement Fan Motor
N/S = Not Shown		
N/S	910-036	Novasit Pilot Orifice NG # 51
N/S	910-037	Novasit Pilot Orifice LP # 30
N/S	W840470	Pilot Assembly Gasket
N/S	911-037	Flame Sense
N/S	911-038	Spark Electrode
N/S	910-432	Pilot Tube with Nuts
N/S	911-039	2 Way Pilot Hood
N/S	911-137	Pilot Hood U Clip

ITEM	PART #	DESCRIPTION
N/S	911-210	External Antenna
N/S	391-026	Pressure Relief Plate Center
N/S	391-078	Pressure Relief Gasket
N/S	904-529	Allen Key 5/32 Long
N/S	656-039	Burner Orifice Mount Gasket
N/S	904-658	Inlet Flex Line Gas SS 24 inch
N/S	905-066	Ball Valve 1/2" Female to 1/2" Female Shut-off
N/S	905-067	Nipple 1/2 NPT X 3/8 NPT Hex
N/S	905-068	Hex Nipple 1/2 NPT X 3/8 Flare
N/S	904-165	Fitting 3/8 Male Flarex Mpt Straight Adaptor
N/S	W840470	Pilot Assembly Gasket
N/S	312-121	Pilot Shield
N/S	312-052	Gasket Valve Tray Standing Pilot
N/S	396-042F	Plate Slide & Door Frame Tool
N/S	391-014	Baffle
N/S	311-118	Left Plate Electrical/Gas Access Assembly
N/S	391-024	Plate Restrictor L/H
N/S	391-025	Plate Restrictor R/H
N/S	391-525	Burner Assembly NG/LP c/w Cap
N/S	846-700	Glass Gasket Tadpole Tape 6AL 1/2" Bulb Graphite w/1"PSA (7') (936-273)
N/S	904-691	Clip-U (Each)
N/S	910-692	Fan/Valve Wire Ground 24 inch (Green)
N/S	904-839	Screw 1/4-20 x 1 inch Pan Hd Phil Blk
N/S	904-948	Levelling Bolt 1/4-20 x 2-1/2 Hex Hd Zinc Pd Full Thread (Each)
N/S	904-918	Front Levelling Bolt 1/4-20 x 3/4 Hex Hd Blk Oxide
N/S	911-377	Wire 4 Pos IFC Fan and Light Gi29LE
N/S	911-173	Wire Harness IFC No CPI Switch 584.924
N/S	311-058	Gasket Light Tray Gi29LE
N/S	911-355	Remote Control GTMFLSA Blk 0.584.080
N/S	911-297	Halogen Bulb G9/120V/18W
N/S	391-049	Blocker/Top Front Heat Deflector
N/S	391-149	Heatshield
N/S	391-107	Tray Runner (2 Per Unit)
N/S	391-106	IFC Tray
N/S	910-177	Plastic Split Bushing 5/8"
	920-671	Manual

Faceplates/Accessories

ITEM	PART #	DESCRIPTION
1	391-936 391-937 391-938	Backing Plate Oversized Backing Plate Custom 3-Sided* Backing Plate Custom 4-Sided*
2	391-124	Bracket Backing Plate
3	391-920 391-921 391-922 391-923 391-924 391-927 391-928	Premium Faceplate Surround Black Premium Faceplate Surround Grey Premium Faceplate Surround White Premium Faceplate Surround Sunset Bronze Premium Faceplate Surround Brushed Nickel Traditional Surround Black Traditional Surrounding Brushed Antique Copper
4	391-910 391-912 391-913 391-914 391-915	Faceplate Regular 3-Sided Black Faceplate Flush 3-Sided Black Faceplate Flush 4-Sided Black Finishing Trim 3-Sided Black Finishing Trim 4-Sided Black
5	391-073	Compact Screen Arm L/H
6	391-074	Compact Screen Arm R/H
7	391-071 391-072 391-070	Compact Screen Angle Panel L/H Compact Screen Angle Panel R/H Compact Screen Cover
8	391-201/P	Mesh Glass Guard Compact Invisi
9	391-075	Compact Screen Frame
10	312-219	Compact Screen Logo Bracket

ITEM	PART #	DESCRIPTION
N/S	391-940	Mantel Deflector
N/S	391-941	Adjustable Hearth Trim
N/S	311-934	Oak Log Set
N/S	311-931	Birch Log Set
N/S	311-930/P	Driftwood Log Set
N/S	391-901	Brick Panel Standard Brown
N/S	391-903	Brick Panel Herringbone
N/S	391-904	Brick Panel Castle Stone Grey
N/S	391-905	Brick Panel Volcanic Black
N/S	391-906	Inner Panel Glass Black Gi29
N/S	391-907	Inner Panel Black
N/S	391-935	Ember Media and Log Grate
N/S	946-799	WIFI Kit



Indoor Gas Product Warranty

Limited Lifetime Warranty

FPI Fireplace Products International Ltd. (for Canadian customers) and Fireplace Products US, Inc. (for US customers) (collectively referred to herein as “FPI”) extends this Limited Lifetime Warranty to the original purchaser of this Appliance provided the product remains in the original place of installation. The items covered by this Limited Lifetime Warranty and the period of such coverage are set forth in the table below.

An Appliance in this policy is defined as an Indoor Gas Fireplace, Indoor Gas Insert, Indoor Gas Freestanding Stove.

This Appliance has only been certified and listed for use indoors.

This Limited Lifetime Warranty starts on the day the Appliance was purchased.

The Limited Lifetime Warranty is not transferable, amendable or negotiable under any circumstances.

Indoor Gas Products Warranty Coverage Parts and Labor	Limited Lifetime	5 years	2 years	1 year	Subsidized Labor Coverage* (Years)
Firebox and Heat Exchanger	✓				3
Steel Burner Tube	✓				3
Glass Thermal breakage only	✓				3
All painted Surrounds/Inlays Finishes		✓			3
Brick Panels/Log sets/Ceramic Burners		✓			3
All Castings		✓			3
Valve assembly and all gas control components (Pilot assembly, flame sensors, Spark Electrode, Pilot Tubing, Orifices, Thermocouple, Thermopile)			✓		2
All Other Electrical components (Ignition Control Boards, Wiring, Switches, Blowers, Blower Control Module, Battery Pack, Remote Control Systems)			✓		2
Enamel Panels			✓		1
Venting/Venting Components			✓		1
All Stainless steel surrounds All black chrome Brushed nickel/Antique copper Faceplates/surrounds All Inner/Outer Black Glass panels				✓	1
All Firebox Media (Crystals, Fire beads, Volcanic, Ceramic, Spa Stones, River Pebbles)				✓	1
All hardware				✓	1
WIFI Dongle				✓	1
Mesh/Glass Safety Barriers				✓	1
Accent Light Bulbs				✓	1
Glass (Crazing)				✓	1

Note: Warranty coverage noted above may not be applicable as components/options vary based on appliance purchased.

Conditions:

Warranty protects against defect in manufacture or FPI factory-assembled components only, unless herein specified otherwise.

***This warranty does not cover dealer travel costs, mileage, fuel, tolls for diagnostic or service work. All labor rates paid to authorized dealers are subsidized, pre-determined rates. Dealers may charge you for travel and additional time beyond their subsidy.**

Any part(s) found to be defective during the warranty period as outlined above will be repaired or replaced at FPI's option through an accredited distributor, dealer or pre-approved and assigned agent; provided that the defective part is returned to the distributor, dealer or agent for inspection if requested by FPI. Alternatively, FPI may, at its discretion, fully discharge all of its obligations under warranty by refunding the verified purchase price of the product to the original purchaser. The purchase price must be confirmed by the original Bill of Sale. **The authorized selling dealer, or an alternative authorized FPI dealer if pre-approved by FPI, is responsible for all in-field diagnosis and service work related to all warranty claims. FPI is not responsible for results or costs of workmanship of unauthorized FPI dealers or agents in the negligence of their service work.**

At all times, FPI reserves the right to inspect reported in the field/on location complaints of products claimed to be defective before processing or authorizing any claim. Failure to allow this upon request will void the warranty.

All warranty claims must be submitted by the dealer servicing the claim, including a copy of the Bill of Sale (proof of purchase by you). All claims must be complete and provide full details as requested by FPI to receive consideration for evaluation. **Incomplete claims may be rejected.**

Replacement Appliances to the original purchaser are limited to one per warranty term. Appliances must be installed according to all manufacturers' instructions as per the manual. All Local and National required codes must be met.

The installer is responsible for ensuring the Appliance is operating as designed at the time of installation.

The original purchaser is responsible for the annual maintenance of the Appliance, as outlined in the owner's manual. As outlined below, the warranty may be voided due to problems caused by a lack of maintenance.

Purchased parts: Repair/replacement parts purchased by the consumer from FPI after the original coverage has expired on the Appliance will carry a **90-day** warranty from the purchase date, valid with a receipt only. Any item shown to be defective will be repaired or replaced at our discretion. No labor coverage is included with these parts.

Special Finishes - One year on brushed nickel, black chrome and antique copper faceplates/surrounds. You can expect some changes in color as the product "ages" with constant heating and cooling. FPI warrants the product for any manufacturing defects on the original product. However, the manufacturer's warranty does not cover changing colors and marks, i.e. fingerprints, etc. applied after the purchase of the product. Damage from the use of abrasive cleaners is not covered by warranty.

If freight damage has been found either externally or internally, the dealer must be informed within 3 days. All claims as a result of damage must be submitted by the dealer servicing the claim, including a copy of the Bill of Sale (proof of purchase). All claims must be complete and provide full details as requested by FPI to receive consideration for evaluation. **Incomplete claims may be rejected.**

As this is a Limited Lifetime Warranty, if the Appliance needs to be replaced, the Appliance that was purchased at the time of sale might not be replaced with exactly the same model Appliance. In that case, FPI will replace your Appliance with one that is similar at the time of replacement under the terms of this Limited Lifetime Warranty, but **ONLY** in the event that an item covered by the Limited Lifetime Warranty is found to be defective. Please refer to the table on first page of this warranty for items covered by the Limited Lifetime Warranty. Product changes might be the result of the original Appliance being discontinued, changes in regulatory requirements, product advancements, etc., which are beyond the control of FPI. **This Limited Lifetime Warranty does not cover any installation costs, or costs associated with changes of required clearances for the replacement Appliance, hearth pads, mantles, facing and/or facing materials such as framing, completed walls made of drywall, wood, non-combustible board, tile, brick, stone, marble etc., venting/chimney systems, or components of the chimney system.**

If a suitable replacement is not available, FPI will refund **50%** of the purchase price of the Appliance and any applicable FPI accessories (faceplates, brick panels, media, etc.) purchased at the time of sale. **In no event will FPI refund any portion of the purchase price of, or reimburse costs associated with, any other items, including without limitation, installation of a new Appliance, changes of required clearances for a new Appliance, hearth pads, mantles, facing and/or facing materials such as framing, completed walls made of drywall, wood, non-combustible board, tile, brick, stone, marble etc., venting/chimney systems, or components of the chimney system. A copy of the receipt or bill of sale will be necessary to validate the purchase price.**

warranty

Exclusions:

This Limited Lifetime Warranty does not extend to paint, rust or corrosion of any kind due to a lack of maintenance or improper venting, combustion air provision, corrosive chemicals (i.e. chlorine, salt, air, etc.), door or glass gasketing, batteries, color fading, carbon/sooting of the log sets due to use and does not cover lava rock, platinum/glowing embers, vermiculite.

Malfunction, damage or performance-based issues as a result of environmental conditions, location, chemical damages, downdrafts, installation error, an installation by an unqualified installer, incorrect chimney components (including but not limited to cap size or type), operator error, abuse, misuse, use of improper fuels, lack of regular maintenance and upkeep, acts of God, weather-related problems from hurricanes, tornados, earthquakes, floods, lightning strikes/bolts or acts of terrorism or war, which result in a malfunction of the Appliance are not covered under the terms of this Limited Lifetime Warranty.

FPI has no obligation to enhance or modify any Appliance once manufactured (i.e. as products evolve, field modifications or upgrades will not be performed on existing Appliances).

Any Appliance showing signs of neglect or misuse will not be covered under the terms of this warranty policy and may void this warranty, including Appliances with rusted or corroded fireboxes that have not been reported as rusted or corroded within **three (3)** months of installation/purchase.

Appliances which show evidence of being operated while damaged, or with problems known to the purchaser and causing further damages will void this warranty.

Appliances where the serial no. has been altered, deleted, removed or made illegible will void this warranty.

Minor movement, expansion and contraction of the steel is normal and is not covered under the terms of this warranty.

Freight damages for products or parts are not covered under the terms of the warranty.

Products made or provided by other manufacturers and used in conjunction with the FPI Appliance without prior authorization from FPI may void this warranty.

Limitations of Liability:

The original purchaser's exclusive remedy under this warranty, and FPI's sole obligation under this Limited Lifetime Warranty, express or implied, in contract or in tort, shall be limited to replacement, repair, or refund, as outlined above. IN NO EVENT WILL FPI BE LIABLE UNDER THIS WARRANTY FOR ANY INCIDENTAL OR CONSEQUENTIAL COMMERCIAL DAMAGES OR DAMAGES TO PROPERTY. TO THE EXTENT PERMITTED BY APPLICABLE LAW, FPI MAKES NO EXPRESS WARRANTIES OTHER THAN THE WARRANTY SPECIFIED HEREIN. THE DURATION OF ANY IMPLIED WARRANTY IS LIMITED TO DURATION OF THE EXPRESSED WARRANTY SPECIFIED ABOVE. IF IMPLIED WARRANTIES CANNOT BE DISCLAIMED, THEN SUCH WARRANTIES ARE LIMITED IN DURATION TO THE DURATION OF THIS WARRANTY.

Some US states do not allow limitations on how long an implied warranty lasts, or allow exclusion or limitation of incidental or consequential damages, so the above limitations or exclusions may not apply to you.

Customers located outside the US should consult their local, provincial or national legal codes for additional terms, which may apply to this warranty.

How to Obtain Warranty Service:

Customers should contact the authorized selling dealer to obtain warranty service. In the event the authorized selling dealer is unable to provide warranty service, please contact FPI by mail at the address listed below. Please include a brief description of the problem and your address, email and telephone contact information. A representative will contact you to make arrangements for an inspection and/or warranty service.

Canadian Warrantor:**FPI Fireplace Products International Ltd.**

6988 Venture St.
Delta, British Columbia
Canada, V4G 1H4

U.S. Warrantor:**Fireplace Products US, Inc.**

PO Box 2189 PMB 125
Blaine, WA
United States, 98231

Or contact the Regency Customer Care Centre at 1-800-442-7432 (phone) / 604-946-4349 (fax)
/customerservice@regency-fire.com (e-mail)

Product Registration and Customer Support:

Thank you for choosing a Regency Fireplace. Regency strives to be a world leader in the design, manufacture, and marketing of hearth products. To provide the best support for your product, we request that you complete a product registration form at <http://www.regency-fire.com/Customer-Care/Warranty-Registration.aspx> within **ninety (90)** days of purchase.

Warranty Registration Card



Product Registration and Customer Support:

Thank you for choosing a Regency Fireplace. Regency strives to be a world leader in the design, manufacture, and marketing of hearth products. To provide the best support for your product, we request that you complete a product registration form found on our Web Site under Customer Care within ninety (90) days of purchase.

For purchases made in **CANADA or the UNITED STATES:**

<http://www.regency-fire.com/Customer-Care/Warranty-Registration.aspx>

For purchases made in AUSTRALIA:

<http://www.regency-fire.com.au/Customer-Care/Warranty-Registration.aspx>

You may also complete the warranty registration form below to register your Regency Fireplace Product and mail and/or fax it back to us, and we will register the warranty for you. It is important you provide us with all the information below in order for us to serve you better.

Warranty Registration Form (or Register online immediately at the above Web Site):

Warranty Details	
Serial Number (required):	
Purchase Date (required) (mm/dd/yyyy):	
Product Details	
Product Model (required):	
Dealer Details	
Dealer Name (required):	
Dealer Address:	
Dealer Phone #:	
Installer:	
Date Installed (mm/dd/yyyy):	
Your Contact Details (required)	
Name:	
Address:	
Phone:	
Email:	

For purchases made in CANADA:

FPI Fireplace Products International Ltd.
6988 Venture St.
Delta, British Columbia
Canada, V4G 1H4

Phone: 604-946-5155
Fax: 1-866-393-2806

For purchases made in the UNITED STATES:

Fireplace Products US, Inc.
PO Box 2189 PMB 125
Blaine, WA
United States, 98231

Phone: 604-946-5155
Fax: 1-866-393-2806

For purchases made in AUSTRALIA:

Fireplace Products Australia Pty Ltd
99 Colemans Road
Dandenong South, Vic.
Australia, 3175

Phone: +61 3 9799 7277
Fax: +61 3 9799 7822

For fireplace care and tips and answers to most common questions please visit our Customer Care section on our Web Site. Please feel free to contact your selling dealer if you have any questions about your Regency product.

recycling

PRODUCT LIFE CYCLE:

By recycling your used appliances, you divert waste from your local landfills and help the environment. You also reduce the need for raw materials to manufacture new products. Contact your local municipality for appliance recycling services, local recycling programs, or appliance removal services to ensure your Regency appliance components, and packaging are properly recycled.

Installer: Please complete the following information

Dealer Name & Address: _____

Installer: _____

Phone #: _____

Date Installed: _____

Serial #: _____