

# OSSEO eSERIES ELECTRIC FIREPLACES

e29 INSERT | e34 INSERT | e50 LINEAR | e64 LINEAR | e80 LINEAR



Panoramic Bay application Osseo e50 with orange flame, blue downlighting, white ember bed light

QUALITY FIREPLACES FOR LIFE.

**KOZY**  **HEAT**  
FIREPLACES



Front Facing Osseo e50 with orange/amber flame,  
downlighting and sea breeze ember bed light

Osseo e34 insert with birch logs, orange flame, yellow downlighting, and orange ember bed light with a prairie screen front.



Osseo e34 with a red/orange flame, purple  
downlighting and a blue ember bed



# OSSEO eSERIES

## Osseo Linear Optional Mantels



### Gray & White Options

*Osseo e50 & e64 Only*

## Flame Options

Ultra-realistic Flame Pattern: Amber, Orange, or Combination (5 Levels of Intensity)



## Burn Videos



Osseo e50  
Birch



Osseo e50  
Traditional

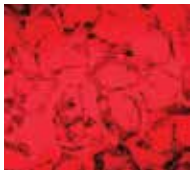


Osseo e34 Insert  
Birch

## Lighting Options

Downlight Accent Lighting: 7 Colors (5 Levels of Intensity) Glowing Ember Bed: 13 Colors (5 Levels of Intensity)

*Variations in the color and tone are common in the printing process, therefore actual colors may vary slightly from those shown.*



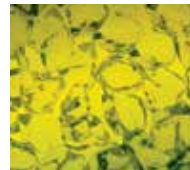
**Amber**  
Ember Bed Light Kit  
and Downlighting Kit



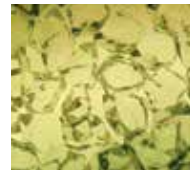
**Ember**  
Ember Bed Light Kit



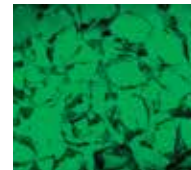
**Orange**  
Ember Bed Light Kit  
and Downlighting Kit



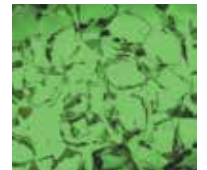
**Yellow**  
Ember Bed Light Kit  
and Downlighting Kit



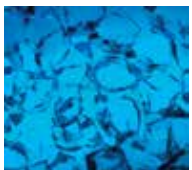
**Light Yellow**  
Ember Bed Light Kit  
and Downlighting Kit



**Green**  
Ember Bed Light Kit



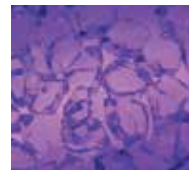
**Light Green**  
Ember Bed Light Kit



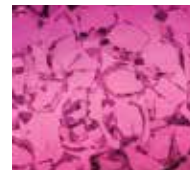
**Sea Breeze**  
Ember Bed Light Kit



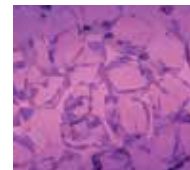
**Blue**  
Ember Bed Light Kit  
and Downlighting Kit



**Purple**  
Ember Bed Light Kit  
and Downlighting Kit



**Pink**  
Ember Bed Light Kit



**Magenta**  
Ember Bed Light Kit



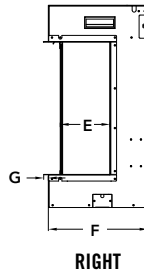
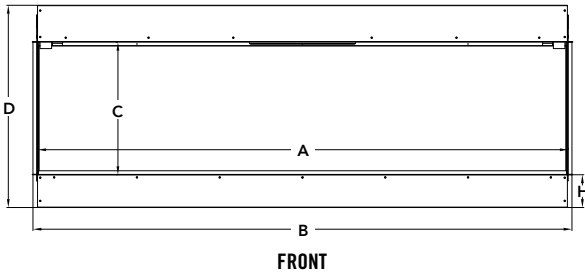
**White**  
Ember Bed Light Kit

# OSSEO eSERIES

## Front Facing, Corner (Right or Left), and Panoramic Bay

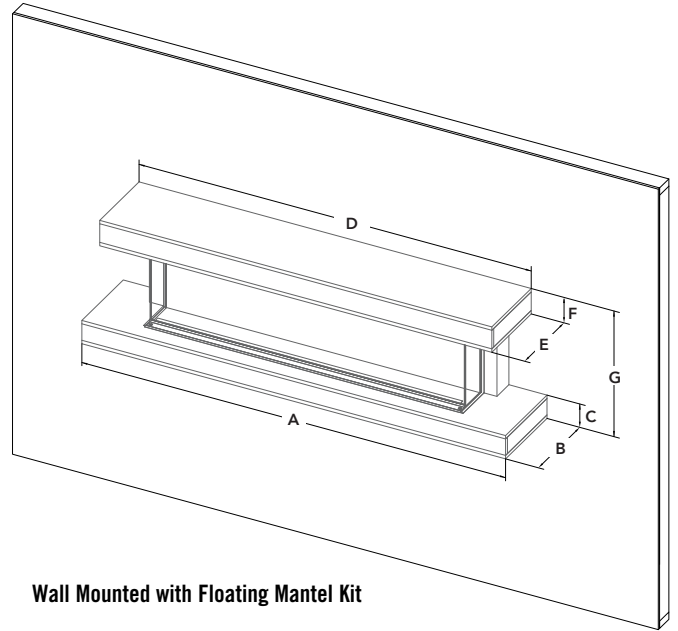
**PRODUCT DIMENSIONS**

Model	A	B	C	D	E	F	G	H
OSO-e50	49-1/4"	50-1/2"	15-7/8"	24"	5-5/8"	11-7/8"	1/2"	3-7/8"
OSO-e64	63"	64-1/4"	15-7/8"	24"	5-5/8"	11-7/8"	1/2"	3-7/8"
OSO-e80	78-3/4"	80"	15-7/8"	24"	5-5/8"	11-7/8"	1/2"	3-7/8"



**WALL MOUNTED MANTEL KIT DIMENSIONS**

Model	A	B	C	D	E	F	G
OS-e50	70-7/8"	15-3/4"	4-7/8"	64-1/2"	14-7/8"	5-1/4"	25-7/8"
OS-e64	84-1/2"	15-3/4"	4-7/8"	78-1/2"	14-7/8"	5-1/4"	25-7/8"



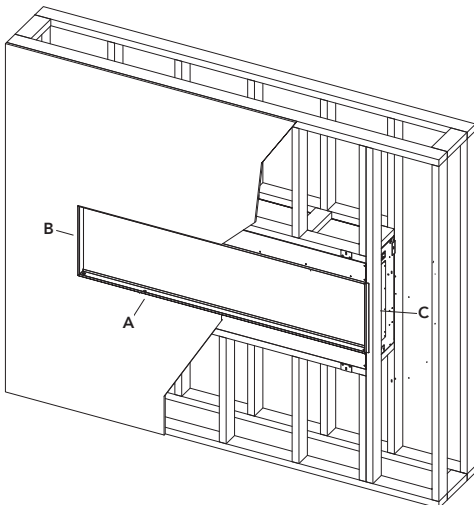
Wall Mounted with Floating Mantel Kit

**FRAMED OPENING DIMENSIONS**

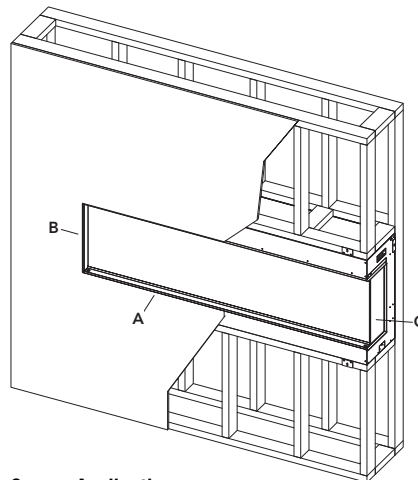
Model	A	B	C
OSO-e50	49-3/4"	24-1/2"	12-1/4"
OSO-e64	63-1/2"	24-1/2"	12-1/4"
OSO-e80	79-1/4"	24-1/2"	12-1/4"

**3 SIDED FRAMED OPENING DIMENSIONS**

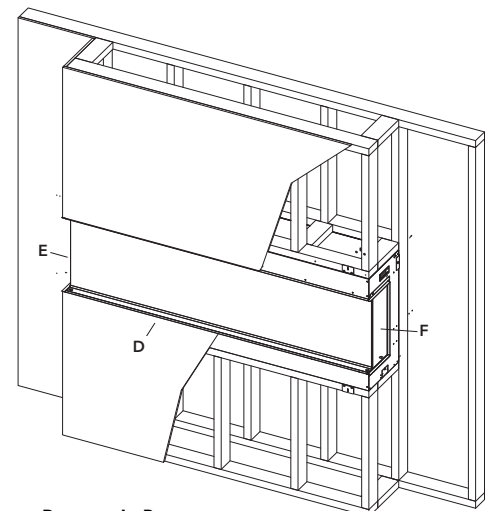
Model	D	E	F
OSO-e50	49-3/4"	24-1/2"	12-1/4"
OSO-e64	63-1/2"	24-1/2"	12-1/4"
OSO-e80	79-1/4"	24-1/2"	12-1/4"



Single Sided



Corner Application



Panoramic Bay

Osseo e34 with an orange/amber flame, orange downlighting and an orange ember bed



## OSSEO eSERIES

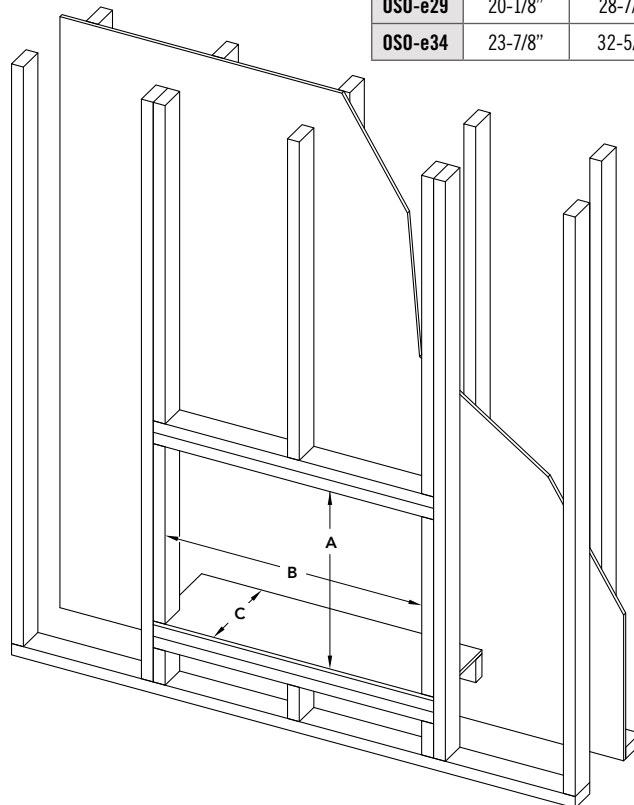
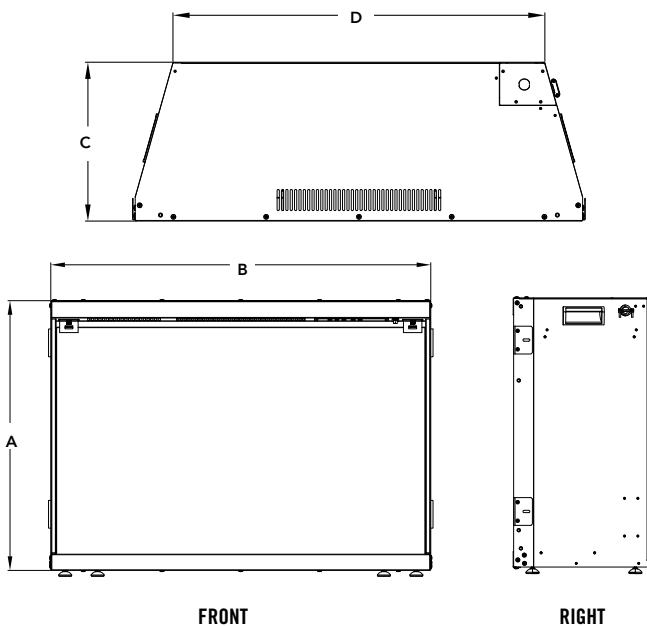
### Insert

#### PRODUCT DIMENSIONS

Model	A	B	C	D
OSO-e29	19-1/16"	28-9/16"	11-1/2"	23"
OSO-e34	22-7/8"	32-5/16"	11-1/2"	26-3/4"

#### FRAMING DIMENSIONS

Model	A	B	C
OSO-e29	20-1/8"	28-7/8"	11-5/8"
OSO-e34	23-7/8"	32-5/8"	11-5/8"



# OSSEO eSERIES

## Specifications

Model	Osseo e29	Osseo e34	Osseo e50	Osseo e64	Osseo e80
Weight	70 lbs.	83 lbs.	133 lbs.	156 lbs.	212 lbs.
Viewing Area	19-1/16" x 28-9/16"	22-7/8" x 32-5/16"	15-7/8" x 49-1/4"	15-7/8" x 63"	15-7/8" x 78-3/4"
Heater	750W / 1500W @ 120V   5,000 BTUs				
Electrical	Plug in or hardwired 120V with Energy Saving LED light kits				
Light Kits	Downlighting & Ember Bed Light Kit				
Included Media	Smoked Glass Crystals				
Optional Log Sets	12 pc. Traditional or Birch Log Sets				
Multi-Function Remote Control	Thermostat Control, Timer (30 Min. – 8 HR)				
Multi-Design Options	Front Facing		Front facing, Corner (Right or Left) and Panoramic Bay		
Optional Fronts	Chaska Series Front & Surrounds		Rectangle Surround		
Liner	Reflective Glass Firebox Liner				
Crackling Log Effect	Hi / Med / Lo				

Features, Options & Specifications are subject to change.

Refer to the install manuals for complete installation requirements.

## Clearances

Model	Osseo e29	Osseo e34	Osseo e50	Osseo e64	Osseo e80
Bottom of Appliance	0"	0"	0"	0"	0"
Left and Right Sides of Appliance	0"	0"	0"	0"	0"
Back of Appliance	0"	0"	0"	0"	0"
Top of Appliance:	1"	1"	0"	0"	0"
Top Finishing Edge to 12" Mantel:	0"	0"	0"	0"	0"
Bottom Finishing Edge to Unlimited Hearth:	0"	0"	0"	0"	0"
Combustible Material in Front of Glass Viewing Area:	0"	0"	0"	0"	0"



Front Facing Osseo e50 with orange flame, purple downlighting, white bottom light kit with birch logs

In order to continually provide the highest quality product available, features/options, specifications & dimensions are subject to change. Refer to the unit installation manual for complete installation instructions. Installation must conform with local building codes.

Product Line:



For complete information on the Kozy Heat product line, please contact us at:

FOR CALIFORNIA RESIDENTS ONLY

⚠ California Proposition 65 Warning

WARNING: Cancer and Reproductive Harm - [www.P65Warnings.ca.gov](http://www.P65Warnings.ca.gov).