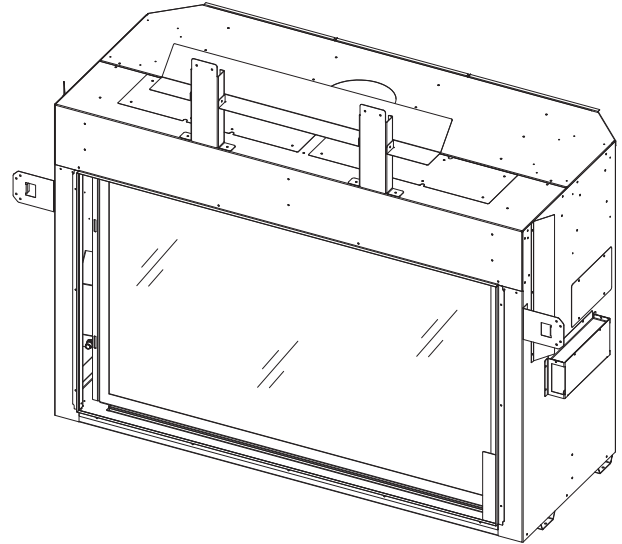


**BELLINGHAM 52  
BELLINGHAM 52 BW**

**Models #BHM-52 & #BHM-52-BW  
Direct Vent Gas Fireplaces**

English and French installation manuals are available through your local dealer. Visit our website [www.kozyheat.com](http://www.kozyheat.com).  
Les manuels d'installation en français et en anglais sont disponibles chez votre détaillant local. Visitez [www.kozyheat.com](http://www.kozyheat.com).



**▲ WARNING:**  
**FIRE OR EXPLOSION HAZARD**  
Failure to follow safety warnings exactly could result in serious injury, death, or property damage.

- Do not store or use gasoline or other flammable vapors and liquids in the vicinity of this or any other appliance.
- **WHAT TO DO IF YOU SMELL GAS**
  - Do not try to light any appliance.
  - Do not touch any electrical switch; do not use any phone in your building.
  - Leave the building immediately.
  - Immediately call your gas supplier from a neighbor's phone. Follow the gas supplier's instructions.
  - If you cannot reach your gas supplier, call the fire department.
- Installation and service must be performed by a qualified installer, service agency or the gas supplier.

This appliance may be installed in an aftermarket, permanently located, manufactured home (USA only) or mobile home, where not prohibited by local codes.

This appliance is only for use with the type of gas indicated on the rating plate. This appliance is not convertible for use with other gases, unless a certified kit is used.

**! DANGER**



**HOT GLASS WILL  
CAUSE BURNS**  
**DO NOT TOUCH GLASS  
UNTIL COOLED**  
**NEVER ALLOW CHILDREN  
TO TOUCH GLASS**

A barrier designed to reduce the risk of burns from the hot viewing glass is provided with this appliance and shall be installed for the protection of children and other at-risk individuals.

**INSTALLER: Leave this manual with the appliance.  
CONSUMER: Retain this manual for future reference.**



Read this manual before installation or operating this appliance.  
Please retain this owner's manual for future reference.

## CONGRATULATIONS!

*We welcome you as a new owner of a Kozy Heat gas fireplace. Kozy Heat products are designed with superior components and materials, and assembled by trained craftsmen who take pride in their work. To ensure you receive a quality product, the burner and valve assembly are 100 percent test-fired, and the complete fireplace is thoroughly inspected before packaging. Our commitment to quality and customer satisfaction has remained the same for over 40 years. We offer a complete line of gas, wood, and electric fireplaces, along with stylish accessories to complement any decor. Adding a fireplace is one of the best ways to increase the value of your home, and we are proud to offer a network of dealers throughout the country to help make your experience everything you imagine. We pride ourselves in being dedicated not only to functionality and reliability, but also customer safety. We offer our continual support and guidance to help you achieve the maximum benefit and enjoyment from your Kozy Heat gas fireplace.*

Jim Hussong  
President



Dudley Hussong  
Board Chairman



### Homeowner Reference Information

***We recommend you record the following information:***

Model Name: \_\_\_\_\_

Date purchased/installed: \_\_\_\_\_

Serial Number: \_\_\_\_\_

Location of fireplace: \_\_\_\_\_

Dealership Purchased from: \_\_\_\_\_

Dealer phone: \_\_\_\_\_

Notes: \_\_\_\_\_

\_\_\_\_\_

\_\_\_\_\_





# TABLE OF CONTENTS

<b>HOMEOWNER REFERENCE INFORMATION .....</b>	<b>3</b>	7.4 Natural Draft Installation.....	44
<b>TABLE OF CONTENTS.....</b>	<b>5</b>	<b>8.0 FIREPLACE SETUP .....</b>	<b>47</b>
<b>1.0 INTRODUCTION .....</b>	<b>7</b>	8.1 Glass Frame Assembly.....	47
1.1 Appliance Certification .....	7	8.2 Gas Valve Access Cover Plate Removal and Installation .....	47
1.2 California Proposition 65 Warning.....	7	8.3 Panel Installation.....	48
1.3 Requirements for the Commonwealth of Massachusetts.....	7	8.4 #BH52-500 & #BH52-B501 Log Set Installation .....	49
<b>2.0 SPECIFICATIONS .....</b>	<b>8</b>	8.5 Control Board Access, Removal and Installation .....	53
2.1 Heating Specifications .....	8	<b>9.0 ELECTRICAL INFORMATION .....</b>	<b>55</b>
2.2 Electrical Specifications.....	8	9.1 Electrical Specifications .....	55
2.3 Appliance Dimensions.....	9	9.2 Wiring Requirements.....	55
2.4 Safety Barrier Screen Dimensions.....	10	9.3 Outlet Junction Box .....	56
<b>3.0 FRAMING .....</b>	<b>11</b>	9.4 Ember Bed Light Kit (auxiliary).....	56
3.1 Installation Planning.....	11	9.5 Top Light Kit #600-TLK.....	57
3.2 Nailing Flange Assembly and Installation.....	12	<b>10.0 OPERATING INSTRUCTIONS .....</b>	<b>58</b>
3.3 Stand-off Assembly and Header Heat Shield.....	13	10.1 Setup Proflame 2 IFC Module .....	59
3.4 Clearances to Combustibles .....	14	10.2 Initialize the Control System.....	59
3.5 Rough Framing.....	15	10.3 Reset the System for Manual Operation .....	59
3.6 Natural Draft Vent Termination Rough Framing.....	16	10.4 Automatic Safety Restart.....	59
3.7 Outdoor Covered Fireplace Installation.....	18	10.5 Backup Battery Operation .....	59
3.8 Exterior and Interior Heat Transfer Kit Cover Plates.....	20	10.6 Control System 7 Day Timeout.....	60
3.9 Vented Cavity and KZK Installation .....	21	10.7 IFC Module Ignition Sequence .....	60
<b>4.0 FACING AND FINISHING.....</b>	<b>29</b>	10.8 Additional Diagnostic Information .....	60
4.1 Standard Installation Facing and Finishing Requirements .....	29	10.9 Remote Control Operation .....	61
4.2 Safety Barrier Installation.....	35	<b>11.0 ADJUSTMENT.....</b>	<b>65</b>
4.3 Vented Cavity and KZK Facing and Finishing Requirements .....	36	11.1 Pressure Testing .....	65
<b>5.0 GAS LINE CONNECTION .....</b>	<b>39</b>	11.2 Burner Flame Adjustments .....	66
5.1 Gas Conversion.....	39	<b>12.0 TROUBLESHOOTING.....</b>	<b>68</b>
5.2 Gas Line Installation.....	39	<b>13.0 MAINTENANCE.....</b>	<b>70</b>
<b>6.0 NATURAL DRAFT TERMINATION LOCATIONS.....</b>	<b>40</b>	13.1 Firebox.....	70
6.1 Vertical Natural Draft Vent Termination .....	40	13.2 Fan .....	70
6.2 Minimum Natural Draft Vent Termination Clearances.....	41	13.3 Vent System .....	70
<b>7.0 VENTING .....</b>	<b>42</b>	13.4 Glass Assembly.....	70
7.1 Approved Vent Systems.....	42	13.5 Burner and Pilot System .....	71
7.2 Venting Requirements .....	42	<b>14.0 REPLACEMENT PARTS LIST.....</b>	<b>72</b>
7.3 Natural Draft Vent Restriction .....	43	<b>LIMITED LIFETIME WARRANTY .....</b>	<b>74</b>



# 1.0 INTRODUCTION

## 1.1 Appliance Certification

Laboratory: PFS in Cottage Grove, Wisconsin, USA


Standards:

ANSI Z21.88-2017/CSA 2.33-2017, Vented Gas Fireplace Heaters

CSA 2.17 2017, Gas-Fired Appliances for Use at High Altitudes

This installation must conform with local codes, or in the absence of local codes, with the National Fuel Gas Code, ANSI Z223.1/NFPA 54, or the Natural Gas and Propane Installation Code, CSA B149.1.

## 1.2 California Proposition 65 Warning

 **WARNING:** This product can expose you to chemicals including Carbon Monoxide, that is an externally vented by-product of fuel combustion, which is [are] known to the State of California to cause cancer, birth defects or other reproductive harm. For more information, visit [www.P65Warnings.ca.gov](http://www.P65Warnings.ca.gov).

## 1.3 Requirements for the Commonwealth of Massachusetts

*The following requirements reference various Massachusetts and national codes not contained in this manual.*

For all sidewall horizontally vented gas fueled equipment installed in every dwelling, building or structure used in whole or in part for residential purposes, including those owned or operated by the Commonwealth and where the side wall exhaust vent termination is less than (7) feet above finished grade in the area of the venting, including but not limited to decks and porches, the following requirements shall be satisfied:

### 1.3.1 Installation of Carbon Monoxide Detectors

At time of installation of side wall horizontally vented gas fueled equipment, the installing plumber or gas-fitter shall observe that a hard wired carbon monoxide detector with an alarm and battery back-up is installed on the floor level where the gas equipment is to be installed. In addition, the installing plumber or gas-fitter shall observe that a battery operated or hard wired carbon monoxide detector is installed on each additional level of the dwelling, building or structure served by the side wall horizontal vented gas fueled equipment. It shall be the responsibility of the property owner to secure the services of qualified licensed professionals for the installation of hard wired carbon monoxide detectors.

In the event that the side wall horizontally vented gas fueled equipment is installed in a crawl space or attic, the hard wired carbon monoxide detector with alarm and battery back-up may be installed on the next adjacent floor level. In the event that the requirements of this subdivision can not be met at the time of completion of installation, the owner shall have a period of thirty (30) days to comply with the above requirements; provided, however, that during said thirty (30) day period, a battery operated carbon monoxide detector with an alarm shall be installed.

### 1.3.2 Approved Carbon Monoxide Detectors

Each carbon monoxide detector as required in accordance with the above provisions shall comply with NFPA 720 and be ANSI/UL 2034 listed and IAS certified.

### 1.3.3 Signage

A metal or plastic identification plate shall be permanently mounted to the exterior of the building at a minimum of eight (8) feet above grade directly in line with the exhaust vent terminal for the horizontally vented gas fueled heating appliance or equipment. The sign shall read, in print no less the one-half inch (½) in size, "GAS VENT DIRECTLY BELOW. KEEP CLEAR OF ALL OBSTRUCTIONS".

### 1.3.4 Inspection

The state or local gas inspector of the side wall horizontally vented gas fueled equipment shall not approve the installation unless, upon inspection, the inspector observes carbon monoxide detectors and signage installed in accordance with the provisions of 248 CMR 5.08 (2) (a) 1 through 4.

### 1.3.5 Exemptions

The following equipment is exempt from 248 CMR 5.08 (2) (a) 1 through 4: The equipment listed in Chapter 10 entitled "Equipment Not Required To Be Vented" in the most current edition of NFPA 54 as adopted by the Board; and Product Approved side wall horizontally vented gas fueled equipment installed in a room or structure separate from the dwelling, building or structure used in whole or in part for residential purposes.

### 1.3.6 Manufacturer Requirements

#### 1.3.6.1 Gas Equipment Venting System Provided

When the manufacturer of Product Approved side wall horizontally vented gas equipment provides a venting system design or venting system components with the equipment, the instructions provided by the manufacturer for installation of the equipment and the venting system shall include:

- Detailed instructions for the installation of the venting system design or the venting system components; and
- A complete parts list for the venting system design or venting system.

#### 1.3.7 Gas Equipment Venting System NOT Provided

When the manufacturer of Product Approved side wall horizontally vented gas equipment does not provide the parts for venting the flue gases, but identifies "special venting systems", the following requirements shall be satisfied by the manufacturer:

- The referenced "special venting systems" instructions shall be included with the appliance or equipment installation instructions and;
- The "special venting systems" shall be Product Approved by the Board, and the instructions for that system shall include a parts list and detailed installation instructions.

A copy of all installation instructions for all Product Approved side wall horizontally vented gas fueled equipment, all venting instructions, all parts lists for venting instructions, and/or all venting design instructions shall remain with the appliance or equipment at the completion of the installation.

## 2.0 SPECIFICATIONS

---

### 2.1 Heating Specifications

	Natural Gas	Propane
Maximum Input Rating	59,500 Btu/h (17.44 kW)	59,500 Btu/h (17.44 kW)
Minimum Input Rating	18,500 Btu/h (5.42 kW)	21,500 Btu/h (6.3 kW)
Manifold Pressure (High)	3.8"WC (0.95 kPa)	11"WC (2.74 kPa)
Manifold Pressure (Low)	1.1"WC (0.27 kPa)	2.9"WC (0.72 kPa)
Orifice Sizes (DMS)	Center Burner: #33 Side Burners: #51	Center Burner: 1.90mm Side Burners: #63

#### 2.1.1 Altitude Adjustment

*This appliance may be installed at higher altitudes. Please refer to National Fuel Gas Code ANSI Z223.1/NFPA 54, CSA-B149.1 Natural Gas and Propane Installation Code, local authorities, or codes having jurisdiction in your area regarding derate guidelines.*

##### 2.1.1.1 US Installations

Refer to the American Gas Association guidelines for the gas designed appliances derating method. For elevations above 2,000' (610m), input ratings are to be reduced by 4% for each 1,000' (305m) above sea level.

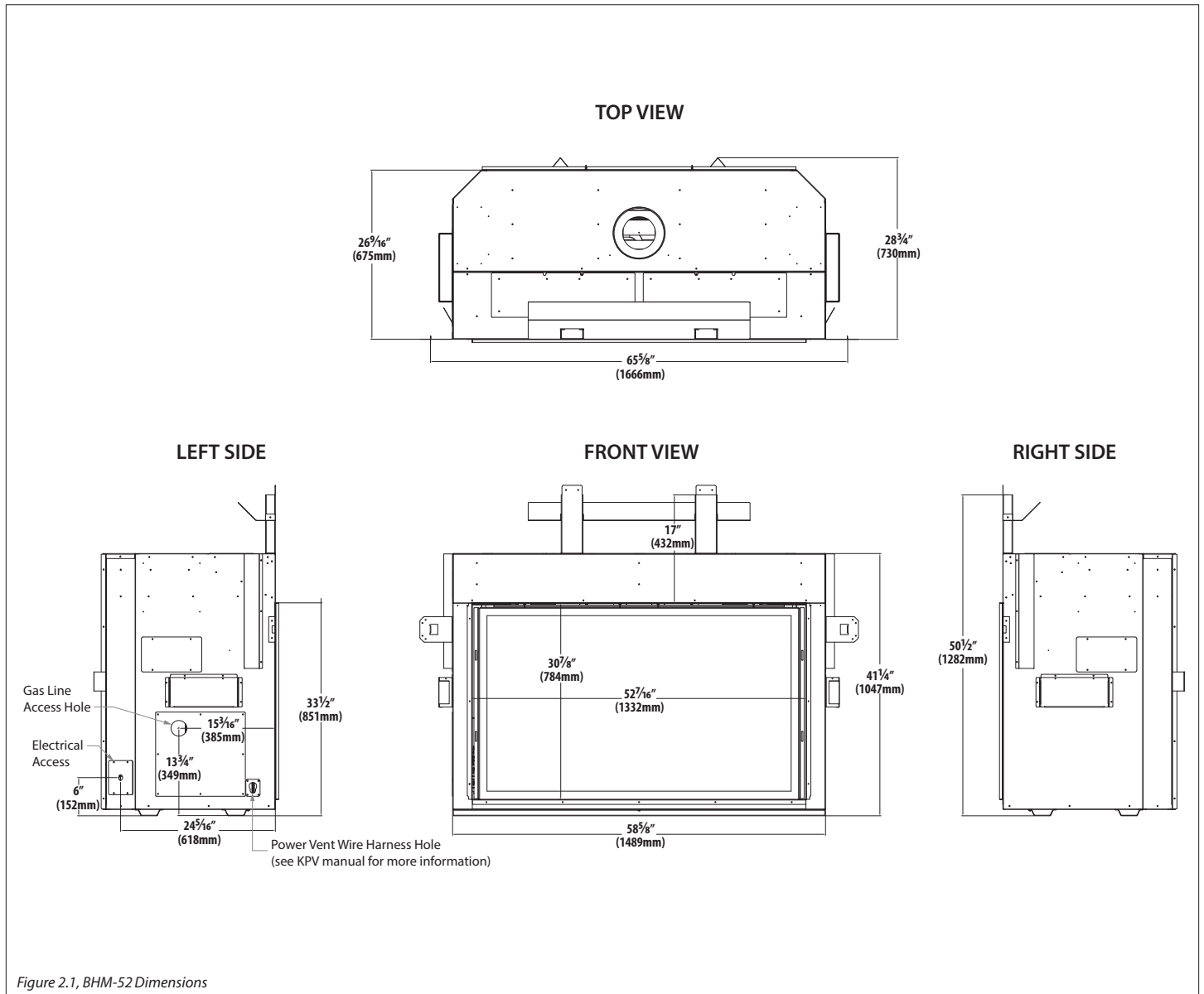
##### 2.1.1.2 Canadian Installations

When the appliance is installed at elevations above 4,500' (1,372m), the certified high altitude rating shall be reduced at the rate of 4% for each additional 1,000' (305m).

### 2.2 Electrical Specifications

- The junction box in this appliance requires 120VAC, 60Hz, and 6 Amps.
- Verify the household breaker is shut off prior to working on any electrical lines.
- The AC power supply to this appliance must be hot at all times and shall not have a switch installed in it.

## 2.3 Appliance Dimensions



## 2.4 Safety Barrier Screen Dimensions

**WARNING:** A safety barrier designed to reduce the risk of burns from the hot viewing glass is provided with this appliance and shall be installed for the protection of children and other at-risk individuals.

If the safety barrier screen becomes damaged, the barrier shall be replaced with Hussong Mfg. Co., Inc. barrier for this appliance.

For installation instructions, refer to Section 4.2 Safety Barrier Installation on page 35.

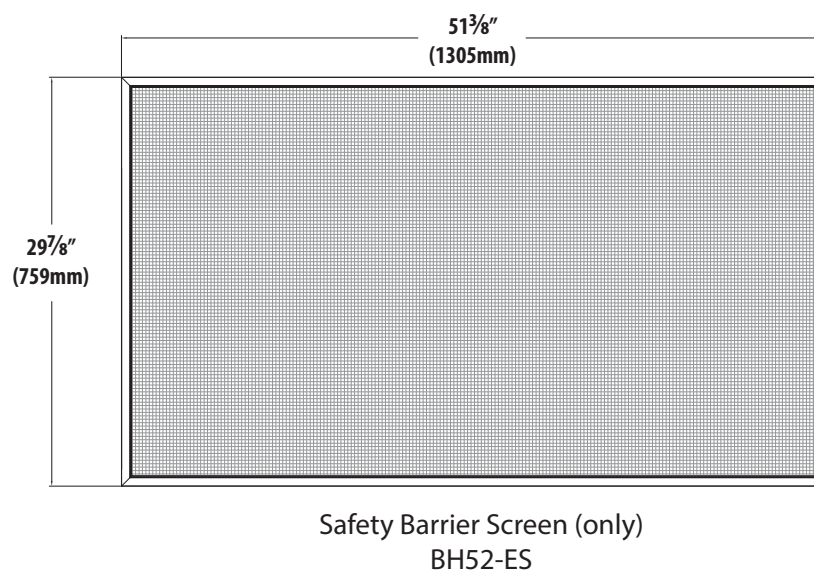


Figure 2.2, Safety Barrier Screen Dimensions

## 3.0 FRAMING

### 3.1 Installation Planning

This appliance offers several design options for managing the heat produced by this fireplace.

#### Read all documentation for your specific installation and design options prior to appliance installation.

- **Standard Installation** will be outlined in this manual in sections marked 'standard installation' and must be followed *if no design options (vented cavity and Komfort Zone Kit) are to be used. The fireplace chamber and ceiling minimum height must be 88" (2235mm) for all design options.*

If planning a standard installation with the use of a heat transfer kit(s) (HTK-EXT and/or HTK-INT), the standard framing dimensions will still apply.

- **Heat Transfer Kit(s)** allows you to transfer heat to a specific area inside your home (interior) or directly outside (exterior). This appliance can have (2) heat transfer kits installed at the same time. It can be up to two of the same heat transfer kits, or a combination of interior and exterior kits. See the HTK-EXT and/or HTK-INT manuals for further information.

**If you are planning a standard installation with the use of an exterior and/or interior kit**, the minimum dimensions listed in this section will apply for your framing installation. You will still need to remove the cover plates as instructed in Section 3.8 on page 20. If you are installing a heat transfer kit with the use of a KZK or vented cavity option, the minimum requirements applicable to those options must be adhered to.

- **Vented Cavity** offers the option to leave a minimum sized opening in the fireplace cavity, allowing for heat reduction above the fireplace. This option allows for combustible facing materials above the fireplace, heat reduction for a TV mounted above the fireplace, and lower mantel clearances. See Section 3.9 Vented Cavity and KZK Installation on page 21.

**All vented cavity options** have the same minimum chamber and ceiling dimension requirements as the standard installation dimensions in this section. **The fireplace chamber and ceiling minimum height must be 88" (2235mm) for all design options.** Reference Section 3.9 Vented Cavity and KZK Installation on page 21.

- **Komfort Zone Kit** offers the option to redistribute radiant heat through plenum(s). This option allows for combustible facing materials above the fireplace, heat reduction for a TV above the fireplace, and lower mantel clearances. See Section 3.9 Vented Cavity and KZK Installation on page 21.

**If installing a Komfort Zone Kit (#KZK-052 or #KZK-1510)**, the framing requirements may be different than the standard dimensions listed in this section. Please reference the manual included with your kit before completing all fireplace framing and other installation considerations.

- **Kozy Power Vent** is a fan-powered mechanical draft vent system (horizontal terminations only) for use with any of the design options listed above. It is easier to convert the fireplace for use with the #KPV before framing in the fireplace. If you convert the fireplace for use with the #KPV after fireplace installation, you will have to remove the control board. See Section 8.5 Control Board Access, Removal and Installation on page 53 for access to the control board before and after installation.

- If planning to convert to propane, it is easier to complete the gas conversion before framing in the fireplace. See the #LCK-BH52-SPB manual for complete conversion instructions. If you convert the fireplace to propane after fireplace installation, you will have to remove the control board. See Section 8.5 Control Board Access, Removal and Installation on page 53 for access to the control board before and after installation.

**Please read the instructions in this manual carefully for your specific installation.**

#### 3.1.1 Appliance Placement Considerations

**WARNING:** Due to high temperatures, the appliance should be located out of traffic and away from furniture and draperies.

- This appliance must be installed on a level surface capable of supporting the fireplace and venting. Determine your vent requirements before framing your appliance. If installing #KPV Kozy Power Vent, please reference the manual included with the kit.
- This fireplace may be installed in a bedroom.
- Please be aware of the large amount of heat this fireplace will produce when determining a location.

#### 3.1.2 Moving the Appliance

This appliance is heavy. We recommend a team lift when moving, placing, and positioning the appliance.

On both sides of the appliance, there are lift handles that allow a hand lift (no sharp edges), or allow a 2" x 4" piece of lumber to be inserted inside the lift handles, as shown in Figure 3.1.

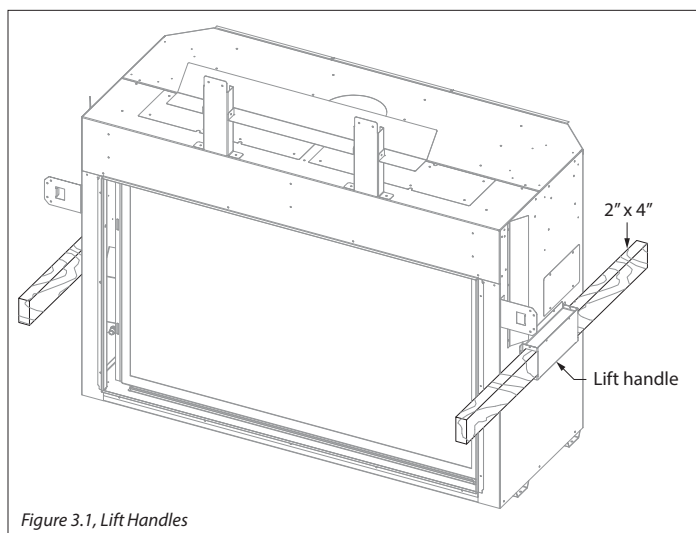


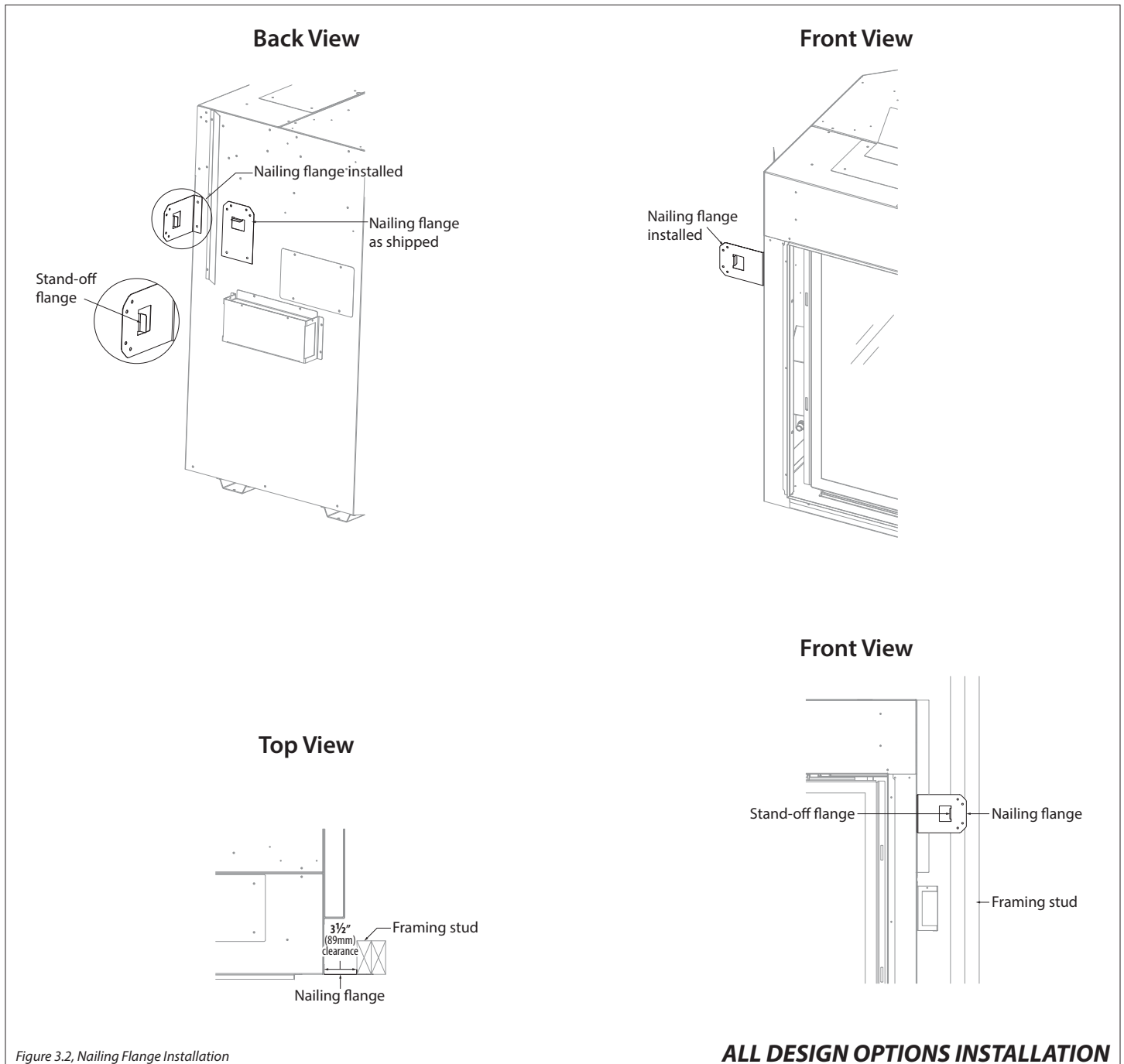
Figure 3.1, Lift Handles

## 3.2 Nailing Flange Assembly and Installation

**CAUTION:** Never permanently remove these assemblies from the fireplace—they must be secured regardless of finish material used.

The nailing flanges **MUST BE INSTALLED** for all applications.

1. Remove (2) nailing flanges from the right and left side of the fireplace.
2. Align nailing flanges with holes on the outside corners of fireplace, with the stand-off flanges on the nailing flanges facing away from the fireplace.
3. Secure the nailing flanges to the fireplace with screws (provided) through the slots in nailing flanges.
4. Bend perforation on nailing flange until parallel with fireplace face. Do not bend toward fireplace face.
5. **UNTIL ALL FRAMING REQUIREMENTS ARE COMPLETED:** Position framing stud against the small stand-off (located on backside of nailing flange). Secure with nails or screws.
  - **When installed, the nailing flanges provide the minimum 3½" (89mm) clearance from the sides of the fireplace to framing.**





### 3.3 Stand-off Assembly and Header Heat Shield

**WARNING:** The stand-off assembly and header heat shield **MUST BE INSTALLED** in order to maintain clearance requirements. These clearances must be maintained. See KZK-1510 or KZK-052 for specific requirements for those installations.

The stand-off assembly provides:

- Minimum distance to header
- Contact point for non-combustible material above the fireplace
- Attachment for the header heat shield

1. Locate the stand-off assembly and header heat shield on top of the fireplace, as shipped.
2. Form the header heat shield as shown.
3. Attach the header heat shield to the stand-off assembly, (4) screws total (provided in the components part packet).
4. Align the holes on the bottom of the stand-off assembly with the holes on top of the fireplace. Secure with (4) screws total.
5. Remove and save screws securing the back stand-off brackets. Form the back stand-off heat shields as shown. Secure using screws previously removed and included in the components packet.

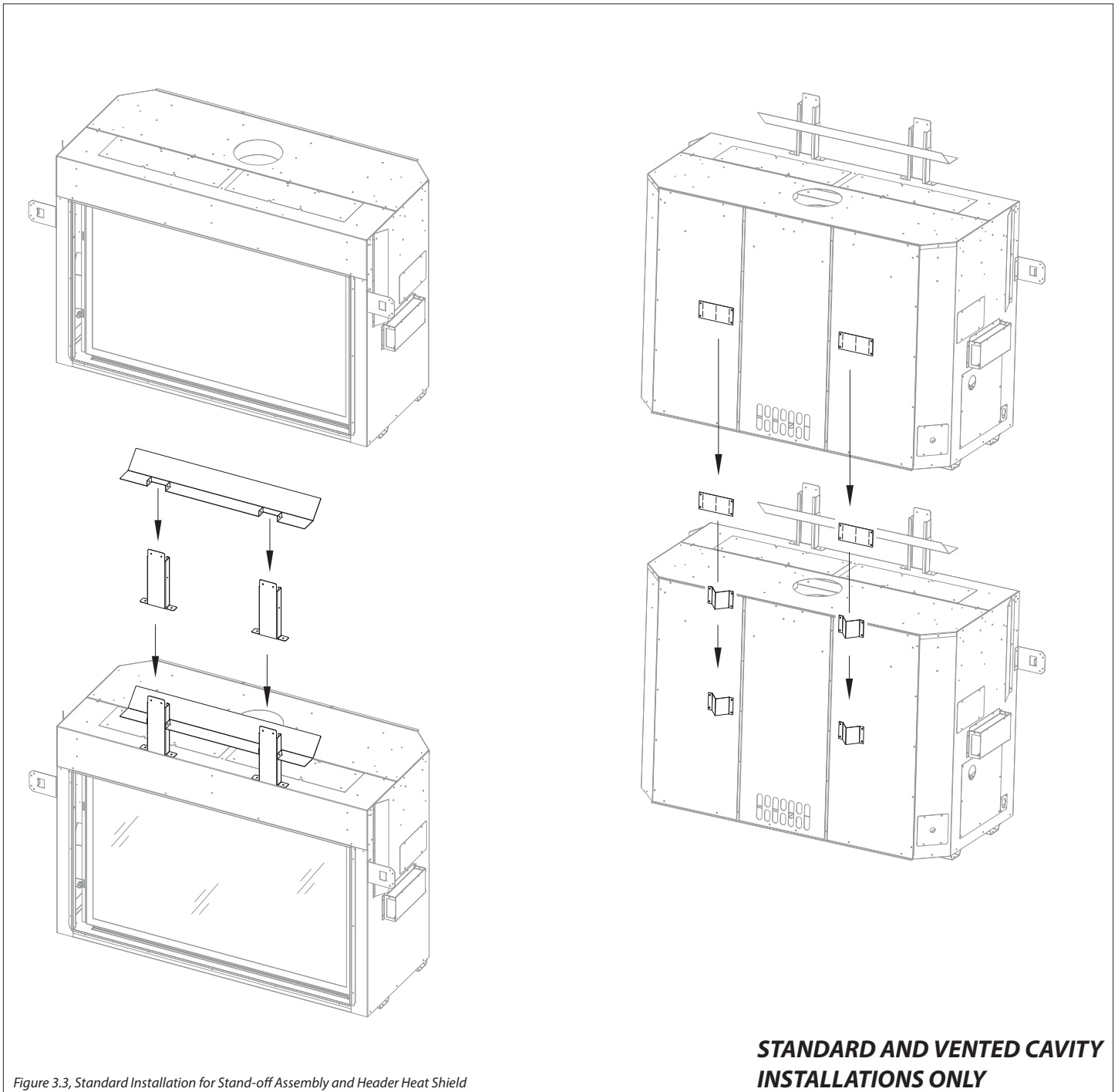


Figure 3.3, Standard Installation for Stand-off Assembly and Header Heat Shield

**STANDARD AND VENTED CAVITY  
INSTALLATIONS ONLY**

### 3.4 Clearances to Combustibles

<i>Table 3.1, Minimum Appliance Clearances to Combustible Material</i>		
From appliance top stand-off brackets	0"	0mm
From appliance left and right stand-off brackets	0"	0mm
From appliance back stand-off brackets	0"	0mm
From appliance corners	2"	51mm
From appliance front	36"	914mm
Fireplace finishing edge to adjacent sidewall	6"	152mm
Fireplace top finishing edge to 3/4" (19mm) mantel trim	8"	203mm
Mantel 6" (152mm) deep from fireplace top finishing edge	11-1/2"	292mm
Minimum rough opening height	50-1/2"	1283mm
Minimum rough opening width	65-5/8"	1667mm
Minimum rough opening depth	28-3/4"	730mm
Minimum height of fireplace enclosure	88"	2235mm
Base of the fireplace to ceiling	88"	2235mm
Fireplace top finishing edge to ceiling	54-1/2"	1384mm
Any horizontal venting within the fireplace enclosure	11"	279mm

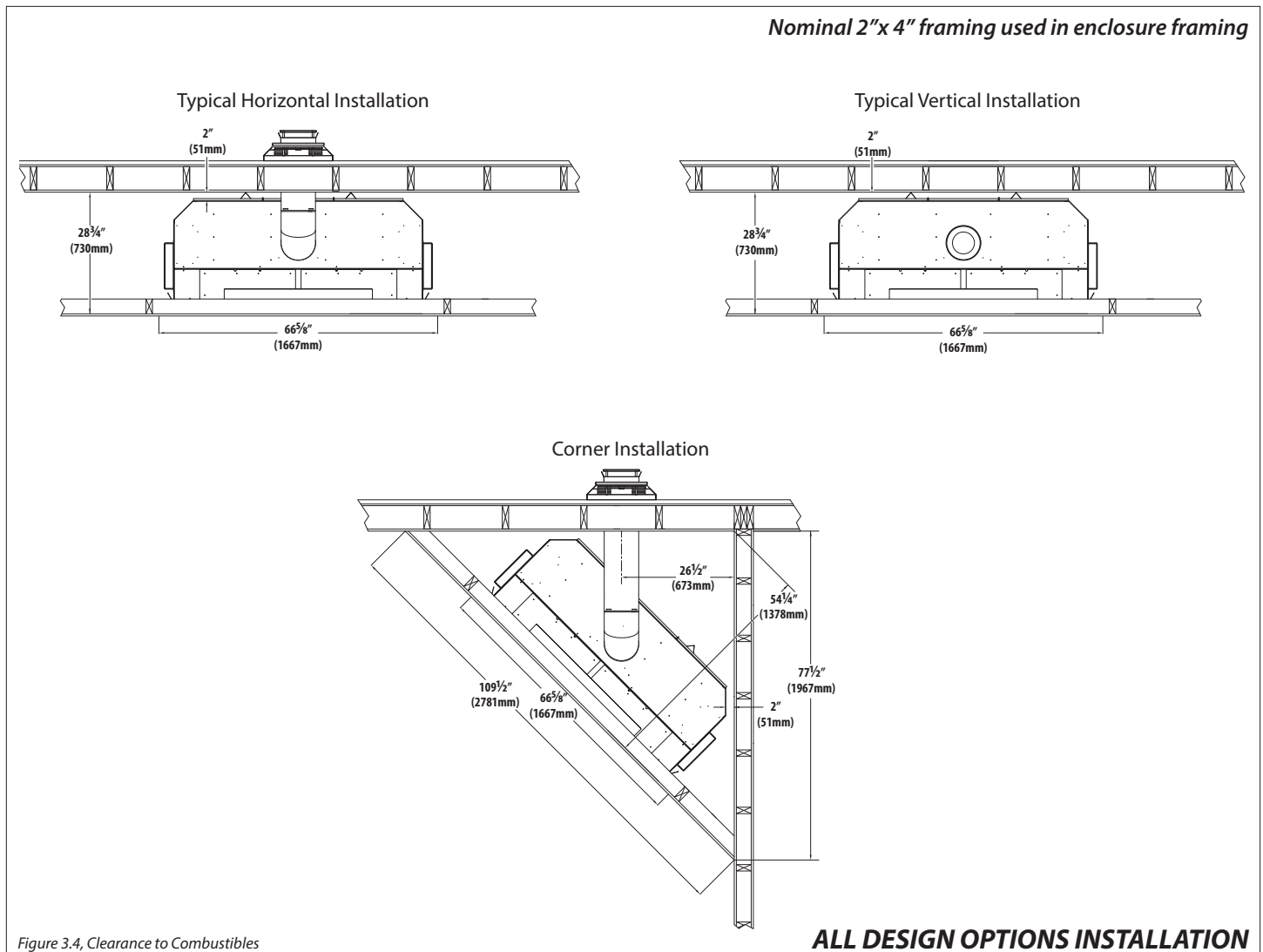


Figure 3.4, Clearance to Combustibles

### 3.5 Rough Framing

Dimensions outlined below are the same for all design options.

**WARNING:** Provide adequate clearance in front of the fireplace for barrier removal, component access, gas line installation, service access, etc.

**CAUTION:** Cold air transfer area. The fireplace enclosure must comply with all clearances as outlined in this manual, and be constructed in compliance with local building codes. Outside walls should be insulated to prevent cold air from entering room.

- Floor protection in front of the fireplace is not required. Combustible material may be used if installing a hearth extension. Consider the thickness of the hearth extension finishing material if building a fireplace platform. The hearth may be flush with the bottom finishing edge.
- The bottom of the fireplace must be placed directly on a wood or non-combustible surface (not linoleum or carpet). If this appliance is to be installed directly on carpeting, tile, or other combustible material other than wood flooring, this appliance shall be installed on a metal or wood panel extending the full width and depth of the appliance.

- This fireplace may be elevated off the floor, provided it is properly supported by framing materials and maintains ceiling clearances. If installed above floor level, a solid, continuous platform must be constructed below the fireplace.
- If masonry (optional) is to be used, prepare the foundation necessary for the full masonry load.

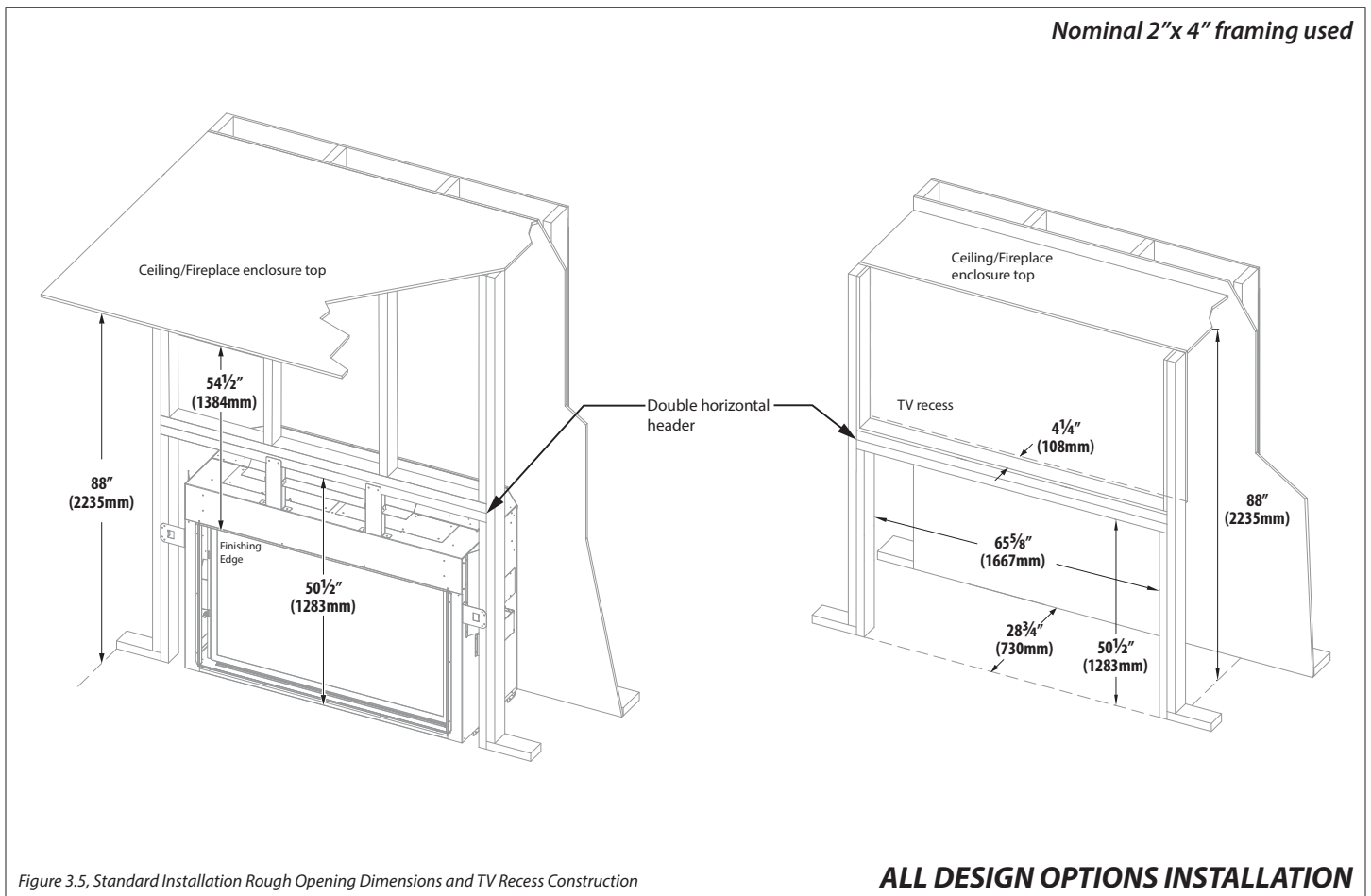
#### 3.5.2.1 TV Recess Construction

**WARNING:** All clearances to venting must be maintained.

Mounting a television above a fireplace is a common practice. Mantel depth, ceiling heights, and wall and mantel construction material all affect television surface temperatures. Most television manufacturers specify in their instructions that a television should not be installed on, near, or above a heat source.

Television location rests solely on the homeowner. It is the home owner's responsibility that the preferred TV mounting and mantel design will not exceed the listed maximum operation temperature of their electronic goods.

**Tests performed determined that television surface temperatures did not exceed 150°F (66°C) when a 4¼" (108mm) deep recess is constructed above the fireplace.**



## 3.6 Natural Draft Vent Termination Rough Framing

*The following information applies to all standard, KZK, and vented options when venting with natural draft. If using Kozy Power Vent #KPV, please reference the manual included with the kit.*

### 3.6.1 Vent Termination Framing Requirements

This is a cold air transfer area. The fireplace enclosure must comply with all clearances as outlined in this manual, and be constructed in compliance with local building codes. Outside walls should be insulated to prevent cold air from entering room.

Exterior vent termination location must be in compliance with Section 6.2 Minimum Natural Draft Vent Termination Clearances on page 41.

**IMPORTANT - METAL FAB VENT SYSTEM :** When installing Metal Fab vent pipe, an adapter must be used. This will increase the minimum height for the center of the vent pipe by 3-1/4" (83mm) when framing the wall pass through for horizontal terminations.

#### 3.6.1.1 Clearances

- A minimum of 1" (25mm) clearance on all sides of the vertical vent pipe must be maintained.
- A minimum of 1" (25mm) clearance from the top surface on the horizontal pipe must be maintained.
- A minimum of 1" (25mm) clearance on the sides and bottom surfaces on the horizontal pipe must be maintained.
- A minimum of 11" (279mm) clearance from any venting to the enclosure top is required in all horizontal vent termination installations. The horizontal pipe after the wall pass-through must maintain a 1" (25mm) clearance to combustibles on all surfaces of the pipe. See Figure 3.6 on page 17.

### 3.6.2 Vertical Terminations

Follow vent pipe manufacturer's installation instructions for vertical terminations.

- Attic insulation shields may be insulated using unfaced insulation products listed as non-combustible per ASTM E 136.

### 3.6.3 Horizontal Terminations

**WARNING:** Do not recess the vent cap into wall or siding.

**IMPORTANT:** Horizontal vent sections require 1/4" (6mm) rise for every 12" (305mm) of travel for natural draft applications.

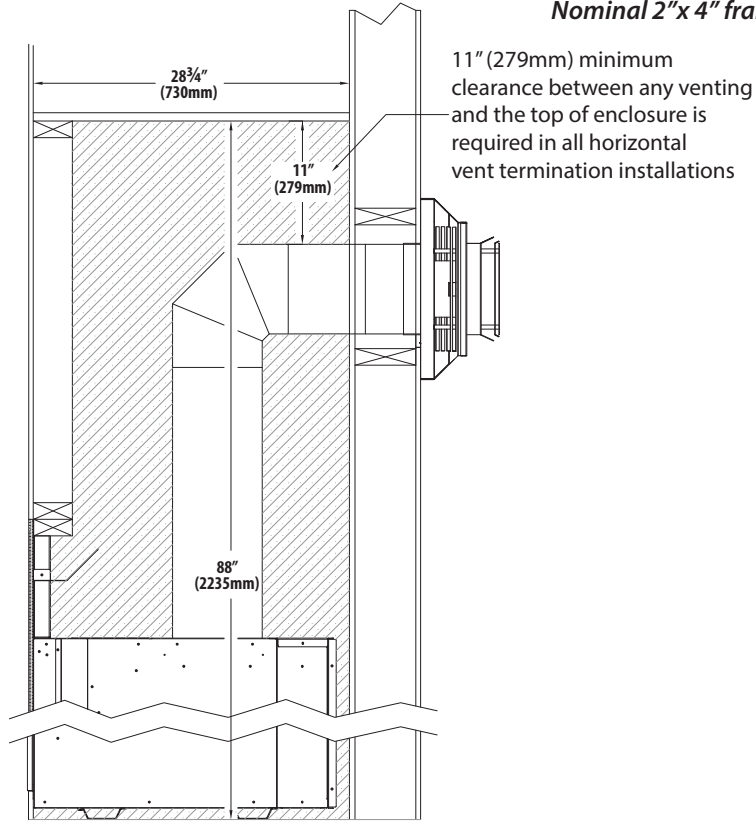
Wall thimble products that comply with the required 1" (25mm) top clearance to combustibles must be installed for all horizontal vent runs that pass through interior or exterior walls. These wall thimble products may be insulated using unfaced insulation products listed as noncombustible per ASTM E 136.

Elbows listed with approved vent systems for this appliance vary in vertical length. Please consult the vent manufacturer's instructions to determine the elbow dimension used for installation. Adjust the wall pass-through rough opening dimensions to maintain clearance requirements.

### 3.6.4 Wall Pass Through Framing Instructions

1. Measure from floor level of the fireplace to the center of where the vent pipe will penetrate the wall. The dimension in Figure 3.7 on page 17 is used with a Simpson DuraVent elbow.
  2. Cut and frame an opening in the wall to allow the vent system to run level through the wall pass-through.
  3. Follow the vent pipe manufacturer's installation instructions for natural draft vent installation.
- Rigid pipe dimensions are tested with listed Simpson Duravent pipe. Other manufacturers product dimensions may vary.

**Nominal 2"x 4" framing used in enclosure framing**

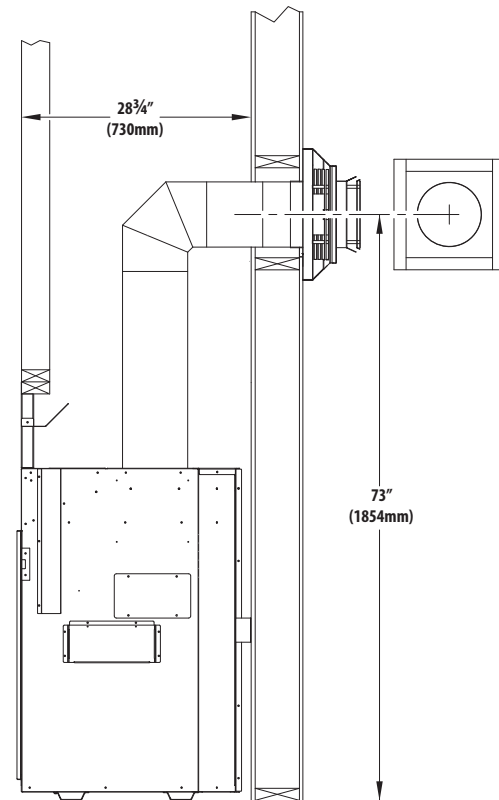


**ALL DESIGN OPTIONS INSTALLATION**

Figure 3.6, Vent Termination Minimum Framing Clearances

**Nominal 2"x 4" framing used in enclosure framing**

Natural gas and propane  
Natural draft minimum horizontal terminations



**ALL DESIGN OPTIONS INSTALLATION**

Figure 3.7, Vent Termination Minimum Framing Dimensions

### 3.7 Outdoor Covered Fireplace Installation

An outdoor covered fireplace installation allows a fireplace to be installed in an outdoor covered area, where the appliance is protected from direct precipitation.

Based on your design options and installation choices (standard installation, vented cavity, or Komfort Zone Kit), follow your specific requirements pertaining to your installation.

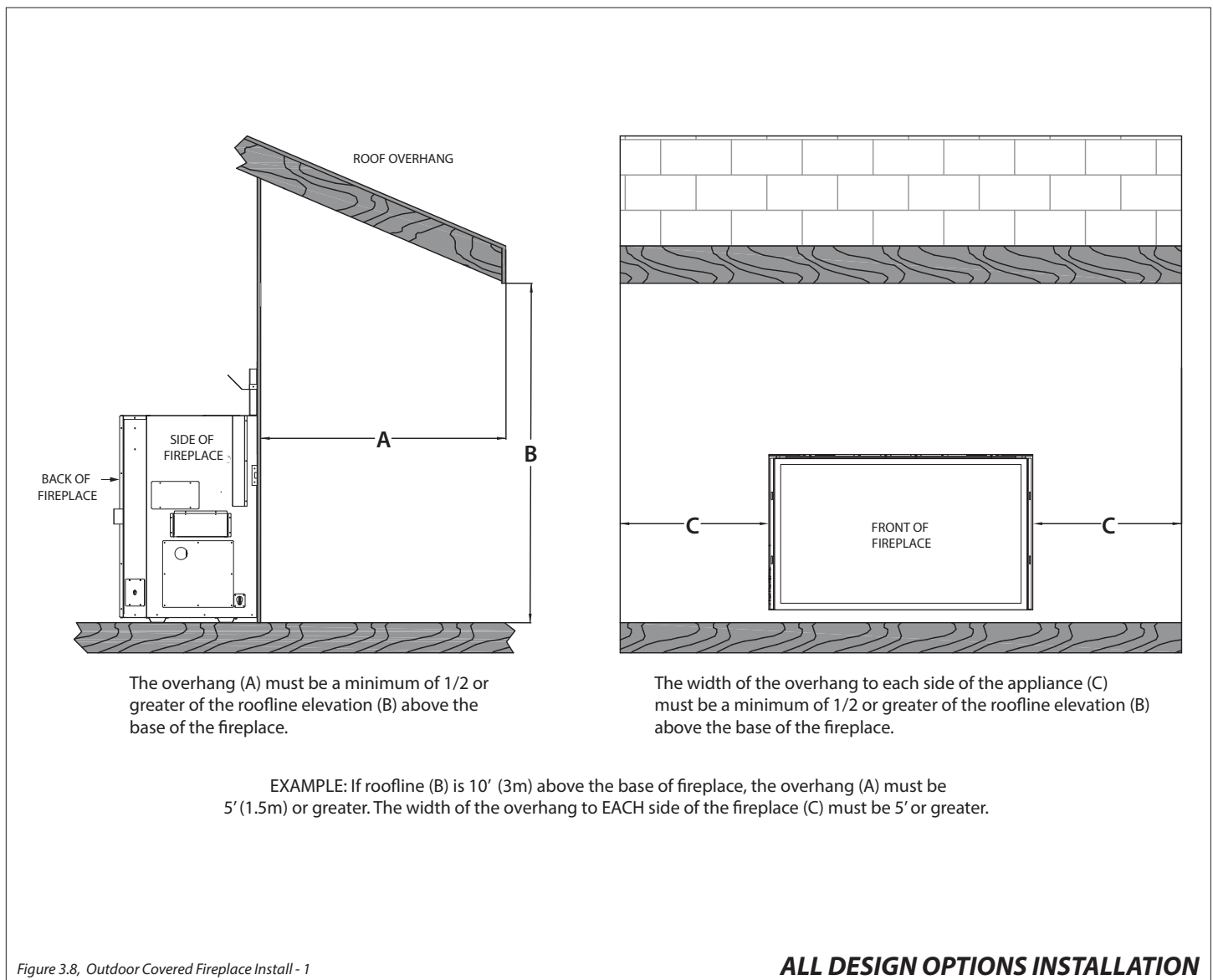
Follow the instructions and illustrations on this page and the following page for installation procedures.

#### 3.7.1 Safety Screen Barriers

Hussong Mfg. Co., Inc. highly recommends to use black painted safety barriers in outdoor installations. Other screen barriers that incorporate a plated or patina finish are highly susceptible to oxidation and discoloration.

#### 3.7.2 Requirements

- The continuous insulated building envelope and weatherproof membrane are not to be interrupted by fireplace installation. See Figure 3.9 on the following page.
- Fireplace operation is approved from 40°F to 110°F.
- All wiring connections shall be in accordance with outdoor requirements of NECA NFPA 70.
- All clearances and requirements in your appliance manual must be adhered to.



**ALL DESIGN OPTIONS INSTALLATION**

### 3.7.3 Outdoor Covered Fireplace Installation (continued)

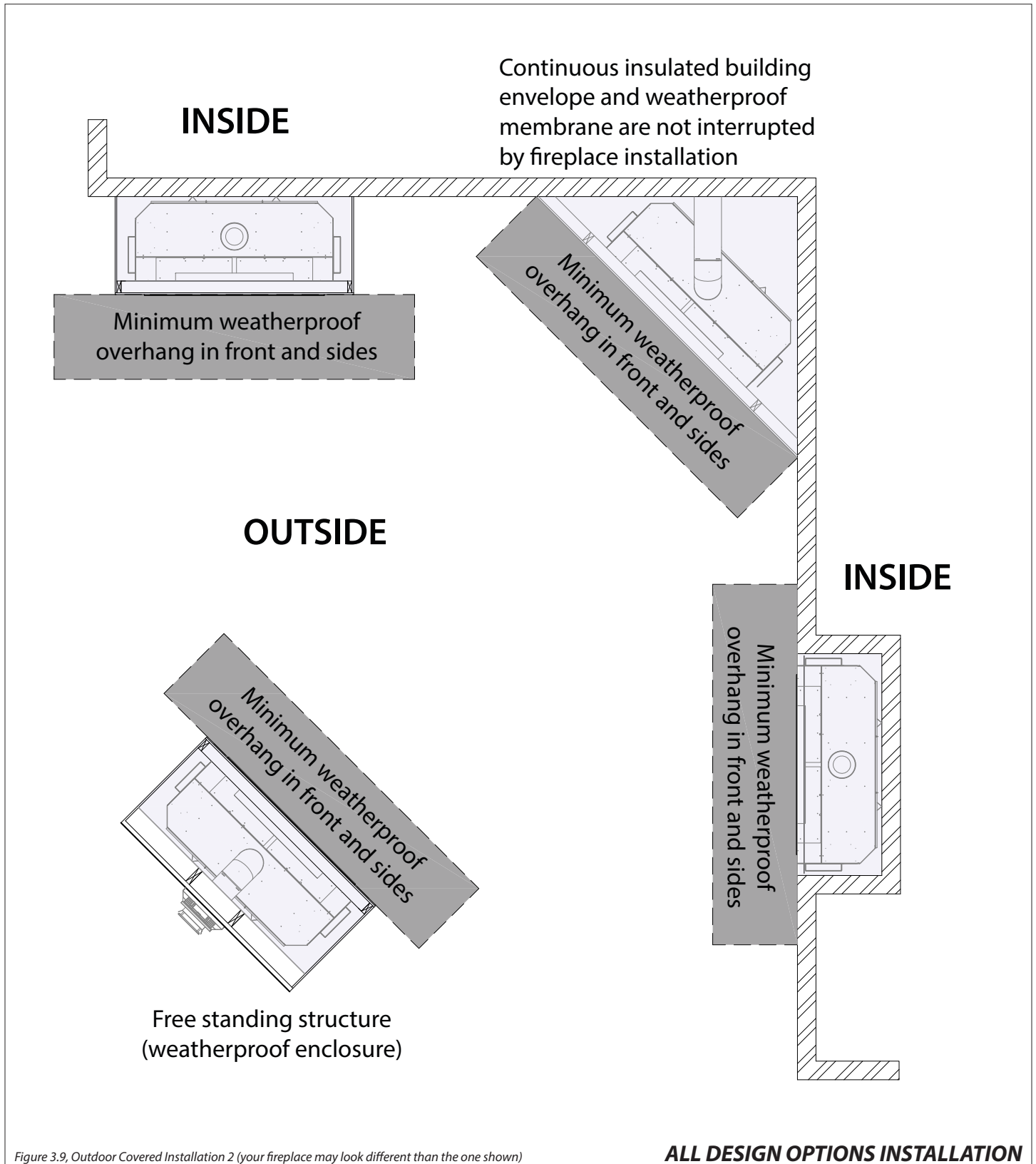


Figure 3.9, Outdoor Covered Installation 2 (your fireplace may look different than the one shown)

**ALL DESIGN OPTIONS INSTALLATION**

### 3.8 Exterior and Interior Heat Transfer Kit Cover Plates

Figure 3.10 shows removal of the Heat Transfer Kit cover plates. There are (2) square cover plates located on the left and right side of the outer shell of the appliance. This appliance can have (2) Heat Transfer Kits installed at the same time. It can be up to two of the same heat transfer kit or a combination of interior and exterior kits.

Remove (1) square cover plate per kit, up to (2) kits may be used.  
See heat transfer kit manuals (HTK-EXT/HTK-INT) for more information

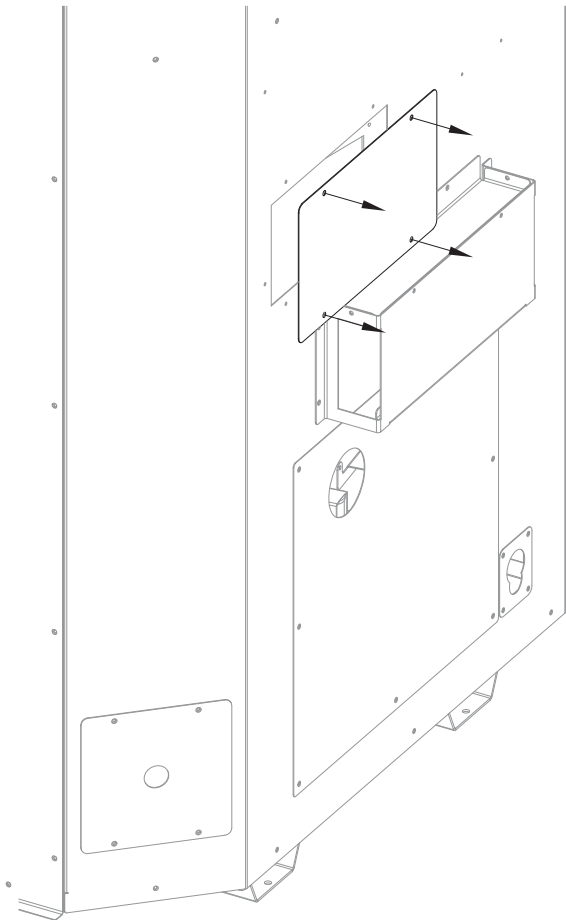


Figure 3.10, Heat Transfer Kit Cover Plate Removal (1 shown)

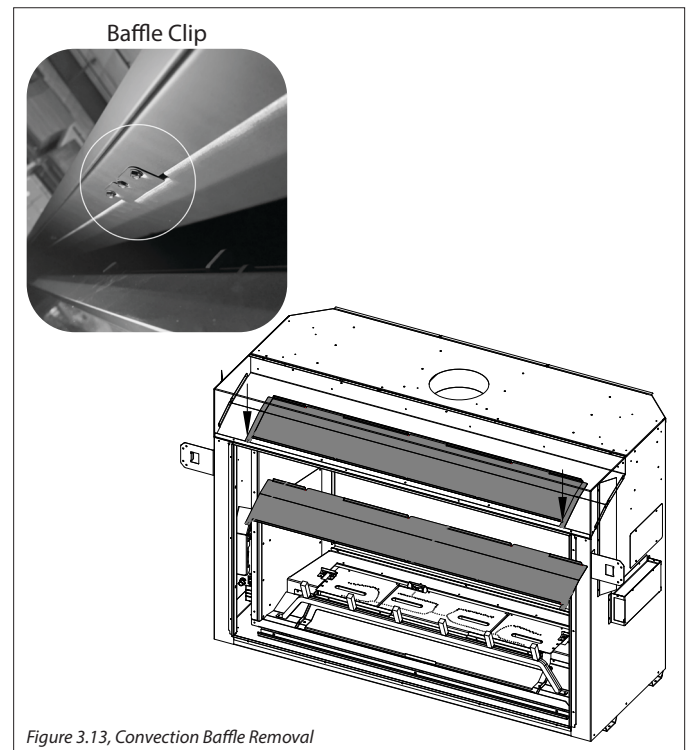
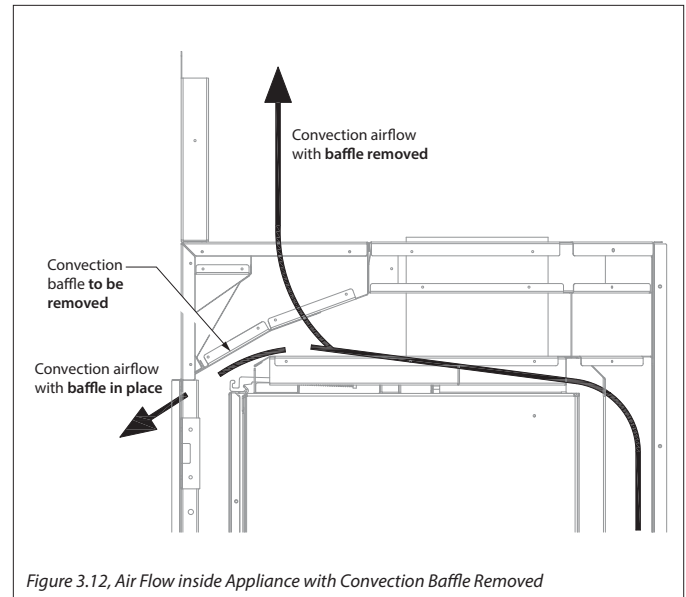
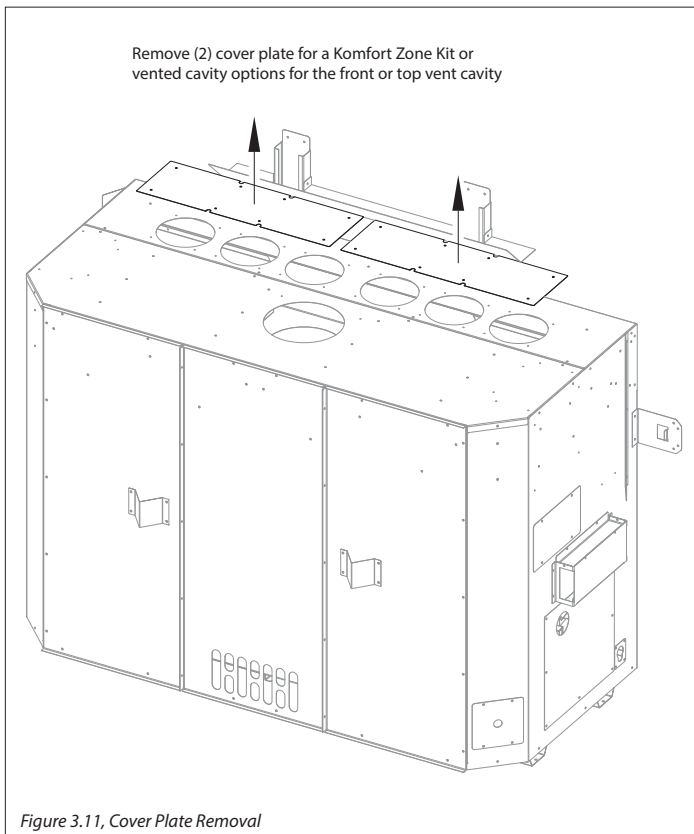


## 3.9 Vented Cavity and KZK Installation

### 3.9.1 Vented Cavity Fireplace Preparation Overview

The *Komfort Zone Kit and Vented Cavity design options have specific framing requirements, mantel requirements, and exterior trim dimensions. The appliance convection baffle and outer shell plates must be removed for heat distribution required by cavity framing designs.*

- All framing requirements in Section 3.5 Rough Framing on page 15 will apply to the vented cavity and KZK installation.
  - All minimum required dimensions must be maintained after all finishing materials are installed.
1. Remove the (2) cover plates that correspond to the vented cavity options for the front or top vented cavity. See Figure 3.11. If planning to install a *Komfort Zone* kit, these (2) cover plates will also have to be removed. See the #KZK-052 or #KZK-1510 manual for further fireplace preparation.
  2. Remove the cover plates that correspond to the vented cavity option you have chosen. See Section 3.8 Exterior and Interior Heat Transfer Kit Cover Plates on the previous page.
  3. Remove the convection baffle from the appliance. The baffle is secured by a baffle clip with (2) screws in the front center, and (2) screws right behind the upper edge of the fireplace opening. See Figure 3.13. Recycle this panel as it is no longer needed.



### 3.9.2 Komfort Zone Kit Fireplace Preparation Overview

*The header heat shield can be removed to ease Komfort Zone Kit installations.*

The top standoff assembly must be installed for minimum distance to header and a contact point for non-combustible material above the fireplace. The back stand-offs must be installed.

1. Remove (4) screws securing the header heat shield to the stand-off assembly.

2. Discard header heat shield.
3. Align the holes on the bottom of the stand-off assembly with the holes on top of the fireplace. Secure with (4) screws total.
4. Remove and save screws securing the back stand-off brackets. Form the back stand-off heat shields as shown. Secure using screws previously removed and included in the components packet.

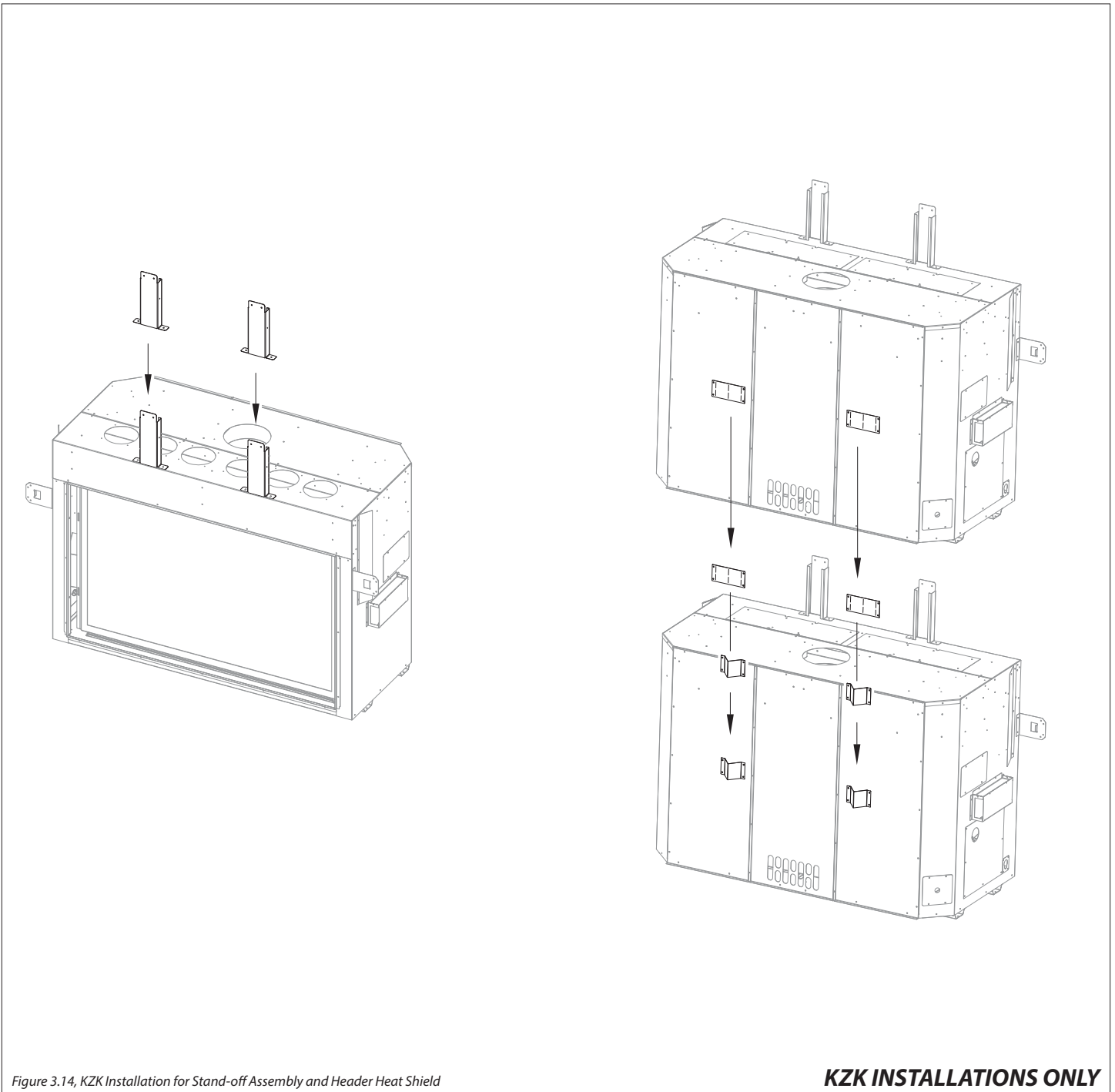
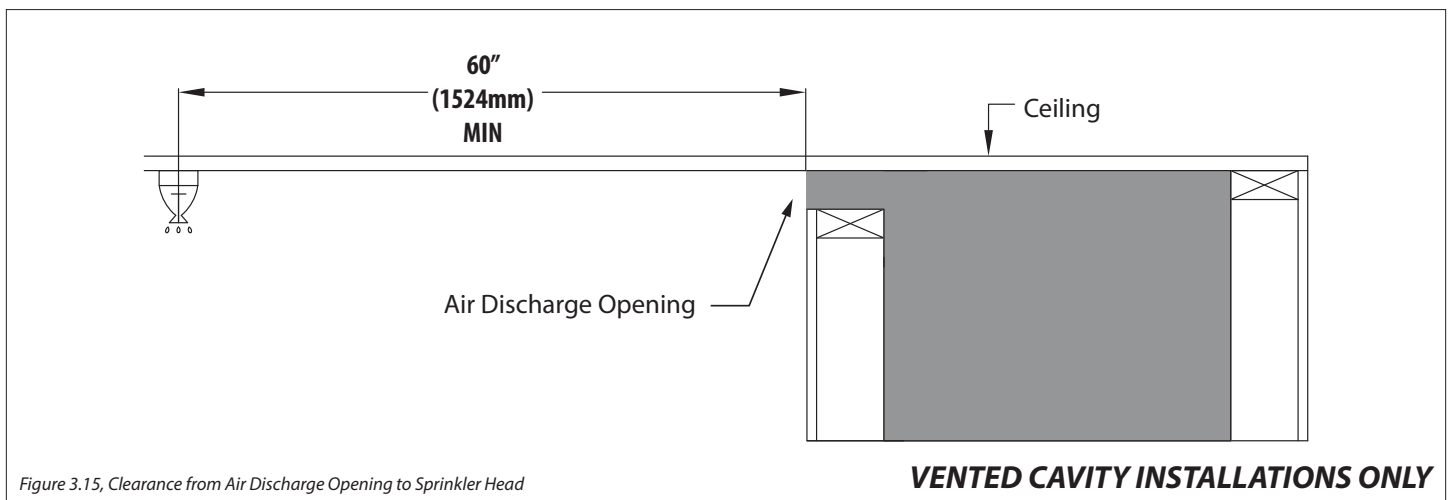


Figure 3.14, KZK Installation for Stand-off Assembly and Header Heat Shield

**KZK INSTALLATIONS ONLY**

### 3.9.3 Clearance to Sprinkler

- In a situation where a sprinkler head is installed within the proximity of a vented cavity air discharge opening, Figure 3.15 MUST be followed.
- The distance between a sprinkler head and discharge opening cannot be less than 60" (1524mm) in length at every point from the origin of the discharge opening. You must also verify the sprinkler head sensor is set to the proper heat setting so it does not activate when the room heats up from the fireplace being operated normally.
- Please follow local building codes to determine what temperature setting is relevant for your installation.



### 3.9.4 Front Vented Cavity Option

**NOTE:** This vented cavity option allows the use of 19 gauge or less hardware mesh that is 1/2" x 1/2" to prevent any items from entering the vented cavity. This hardware mesh is optional and the only approved item for use within the air discharge opening.

**WARNING:** Do NOT cover or place any items in the area of the air discharge opening. Failure to comply with these instructions could create a fire hazard. Grilles and louvers are not allowed in the discharge opening.

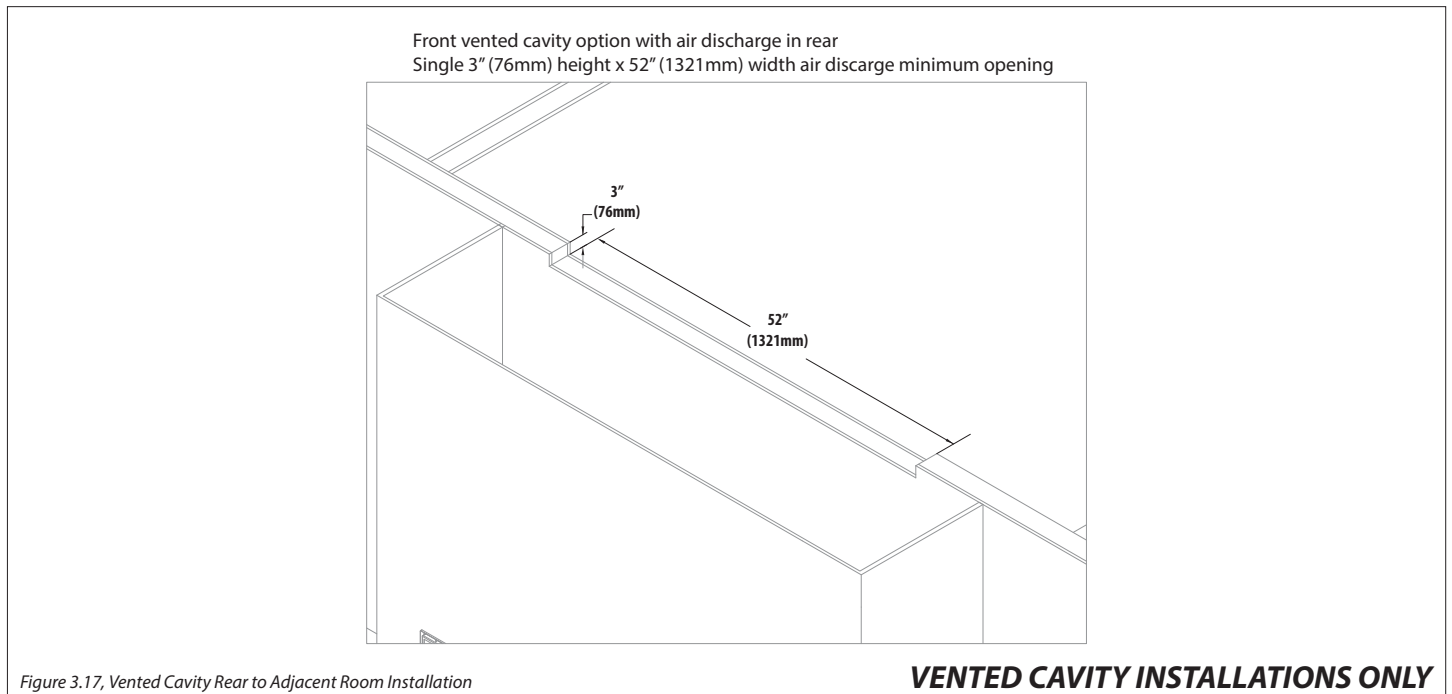
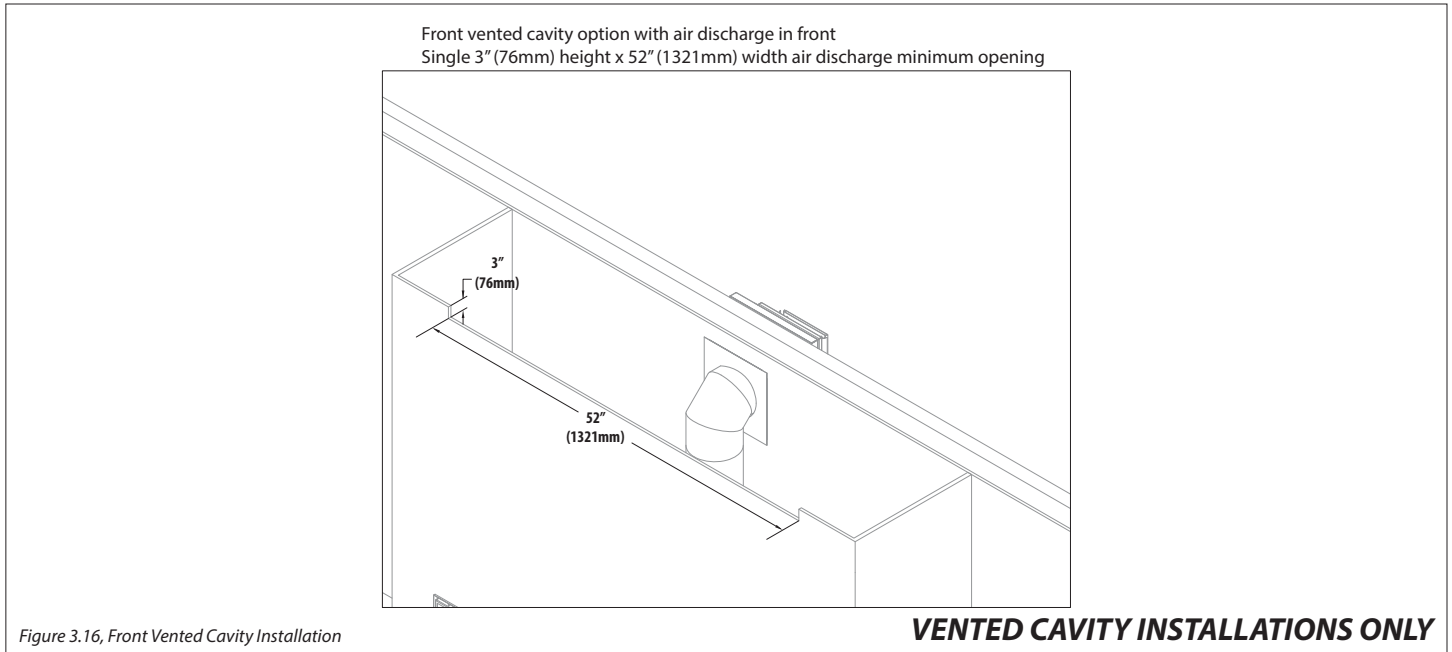
**WARNING:** Ensure air flow within the air discharge opening is not restricted in any way.

**WARNING:** Enclosure measurements must maintain minimum framing specifications as outlined in Section 3.5 Rough Framing on page 15.

**Minimum dimensions for the air discharge MUST BE maintained after all finishing materials are installed.**

These are minimum dimensions shown for the air discharge opening, and the opening may be increased, if desired, as long as all requirements are followed. It is recommended to limit your opening size for aesthetic purposes and to avoid items falling into the enclosure.

- Figure 3.16 shows the minimum required dimensions for the vent cavity air discharge opening. This single 3" (height) x 52" (width) air discharge opening can be in either the front of the fireplace chamber, so hot air exits into the room the fireplace is installed, or the discharge opening can be in an adjacent room, where the discharge opening would be located on the rear of the fireplace chamber. See Figure 3.17 for rear opening.



### 3.9.4.1 Front Vented Cavity Option Alternative Installations

- Figure 3.18 shows an alternative installation method where you cap off the fireplace cavity so the air discharge opening can be located further down the fireplace chamber. 1-1/2" (38mm) is the maximum drop for framing the air discharge opening to the fireplace enclosure top. This avoids trapping heat in the upper areas of the vented cavity enclosure. Framing the outlet any lower than 1-1/2" (38mm) will cause over heating create a fire hazard. If you cap the fireplace cavity off, it cannot have any vent pipe running through the top with a ceiling firestop. This installation method can alleviate any possible concerns with paint discoloration from heat or dust.

- Figure 3.19 shows the installation of crown molding or similar trim work that goes up to the edge of the air discharge opening. 12" (305mm) is the maximum length of the molding or trim projection and you must maintain 3" (76mm) clearance for the full length of crown molding/trim projection. This molding or trim cannot decrease the minimum opening requirement.
- Figure 3.20 on the following page shows an alternative installation for the front vented cavity option with an air discharge overhang in front of the air discharge opening. This installation method can provide a means to visually hide the air discharge opening.

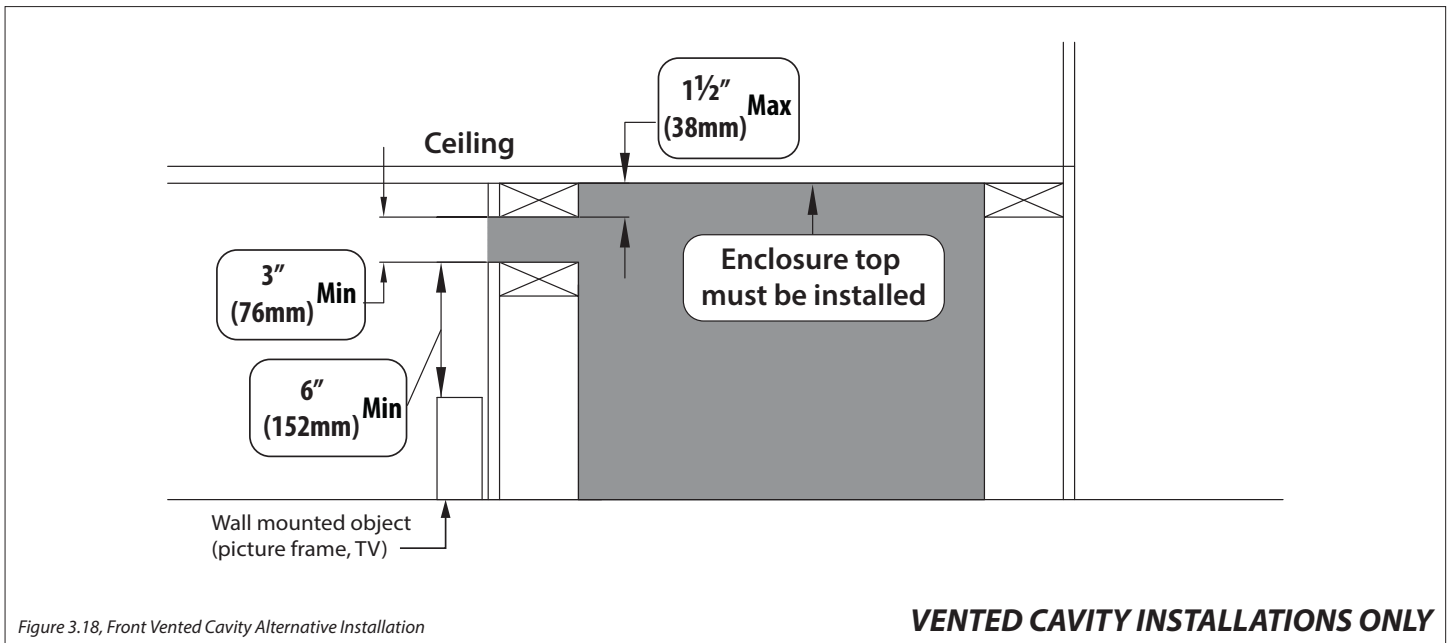


Figure 3.18, Front Vented Cavity Alternative Installation

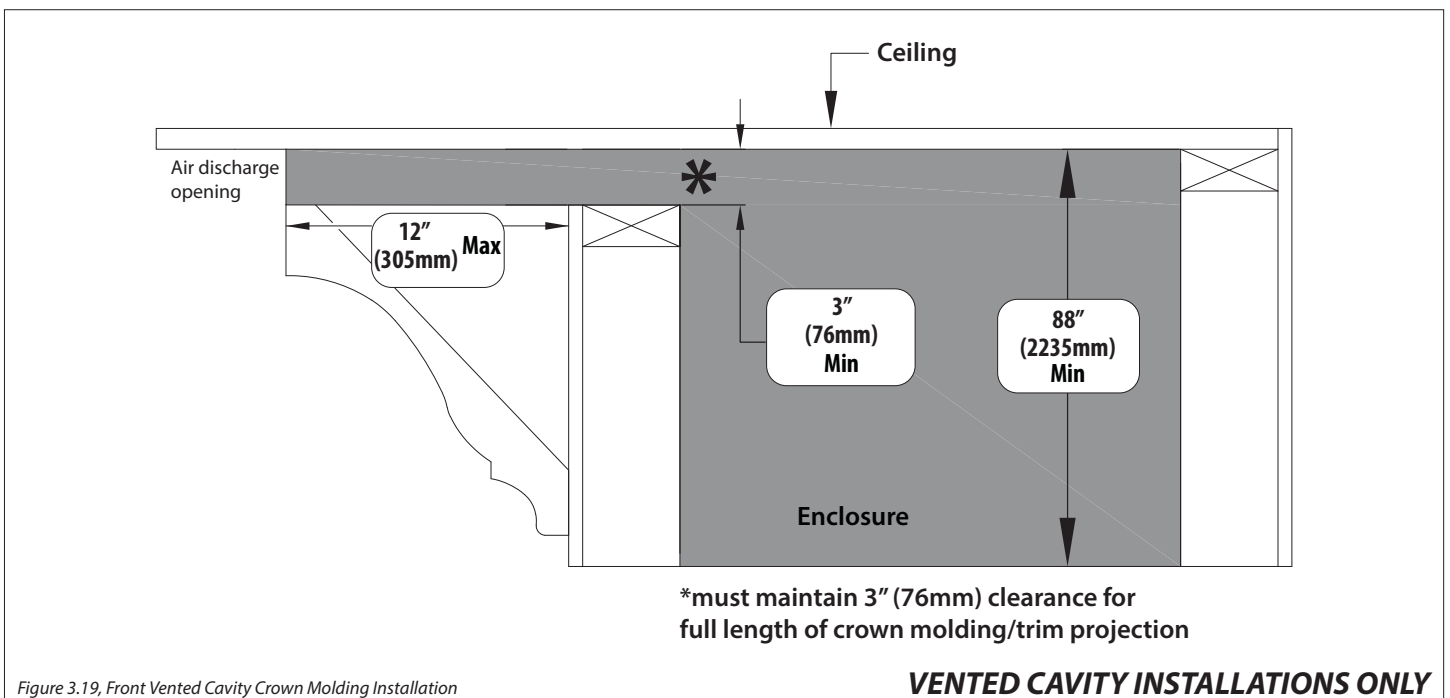


Figure 3.19, Front Vented Cavity Crown Molding Installation

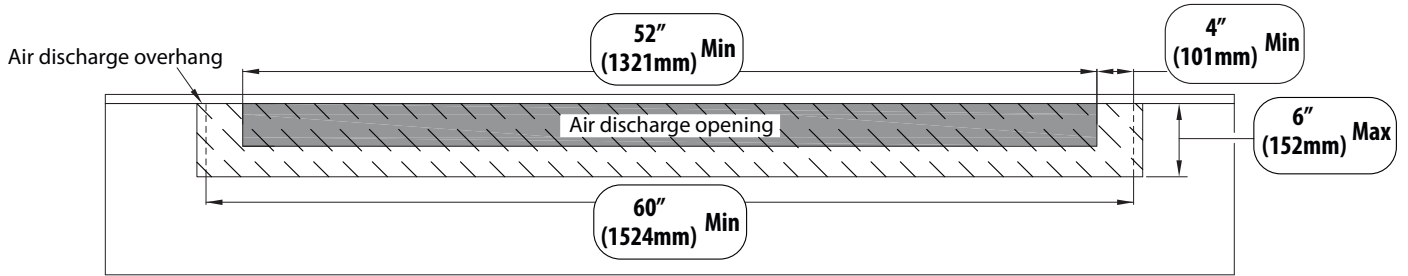
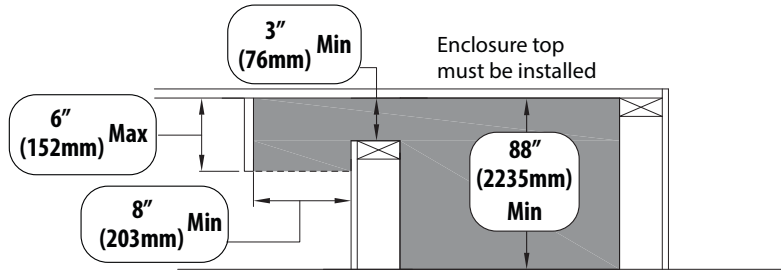
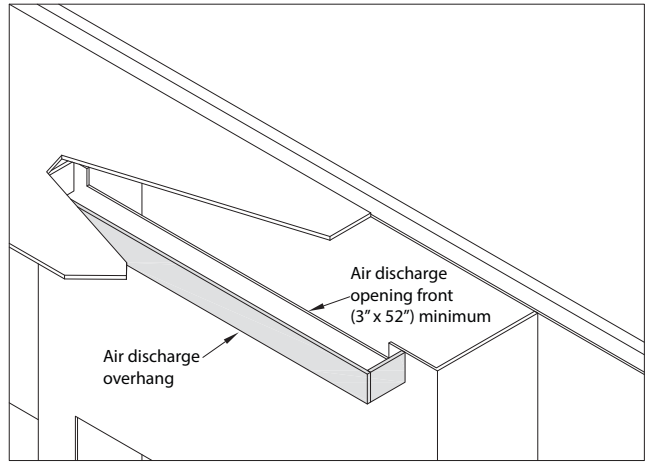


Figure 3.20, Front Vented Cavity Alternative Installation with Overhang

**VENTED CAVITY INSTALLATIONS ONLY**

### 3.9.5 Top Vented Cavity Framing

**NOTE:** This vented cavity option allows the use of 19 gauge or less hardware mesh that is 1/2" x 1/2" to prevent any items from entering the vented cavity. This hardware mesh is optional and the only approved item for use within the air discharge opening.

**WARNING:** Do NOT cover or place any items in the area of the air discharge opening. Failure to comply with these instructions could create a fire hazard. Grilles and louvers are not allowed in the discharge opening.

**WARNING:** Ensure air flow within the air discharge opening is not restricted in any way.

**WARNING:** Enclosure measurements must maintain minimum framing specs as outlined in Section 3.5 Rough Framing on page 15. Minimum dimensions for the air discharge **MUST BE** maintained after all finishing materials are installed.

These are minimum dimensions shown for the air discharge opening, and the opening may be increased, if desired, as long as all requirements are followed. It is recommended to limit your opening for aesthetic purposes and to avoid items falling into the enclosure.

- Figure 3.21 shows the minimum 1-1/2" (38mm) clearance from the fireplace enclosure top to the ceiling on all three sides of the enclosure.

#### 3.9.5.1 Top Vented Cavity Option Alternative Installations

- Figure 3.22 on the following page shows the installation of crown molding or similar trim work that goes up to the edge of the air discharge opening. 12" (305mm) is the maximum length of the molding or trim projection and you must maintain 1-1/2" (38mm) clearance for the full length of crown molding/trim projection. This molding or trim cannot decrease the minimum opening requirement.
- Figure 3.23 on the following page shows an alternative installation for the top vented cavity option with an air discharge overhang in front of the air discharge opening. This installation method can provide a means to visually hide the air discharge opening.

Top vented cavity option with air discharge opening on all three sides

Requires a minimum 1 1/2" (38mm) clearance from fireplace enclosure top to ceiling on all three sides

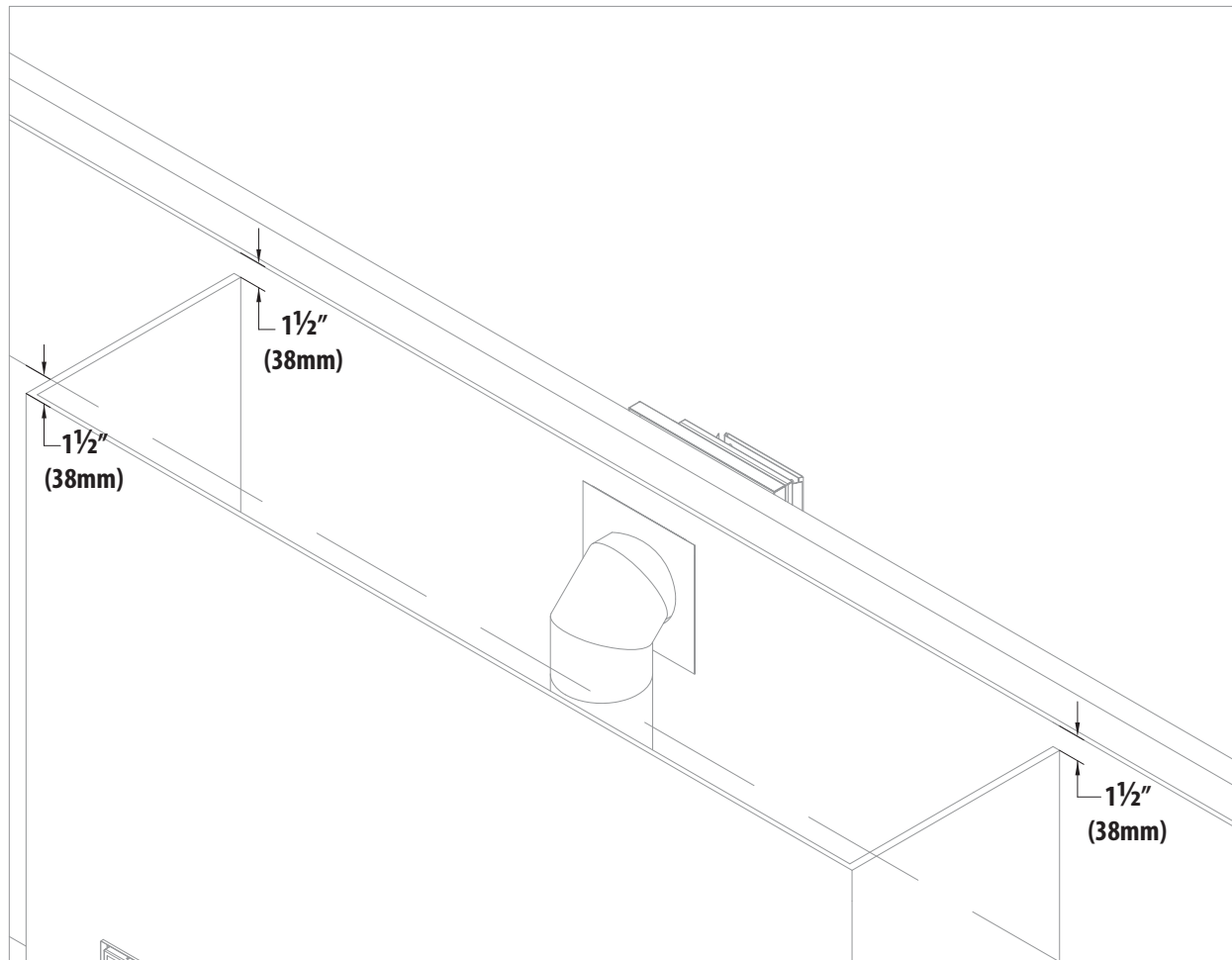


Figure 3.21, Top Vented Cavity Installation

**VENTED CAVITY INSTALLATIONS ONLY**

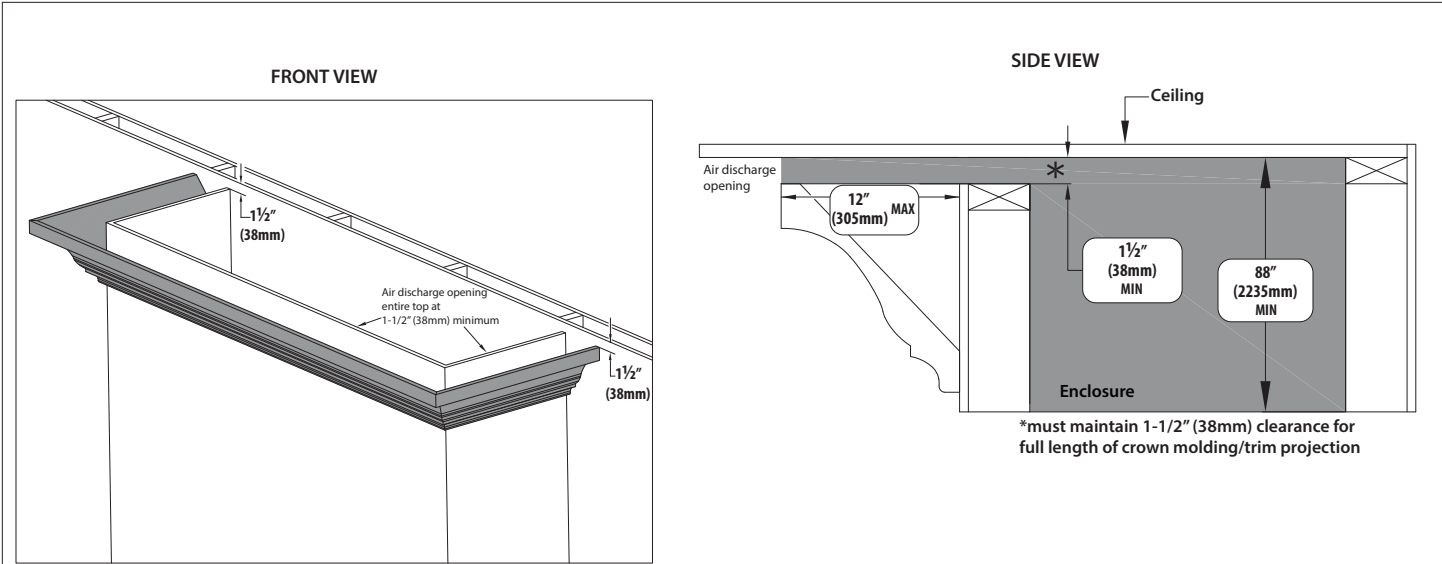


Figure 3.22, Top Vented (all 3 sides) Cavity Crown Molding Installation

**VENTED CAVITY INSTALLATIONS ONLY**

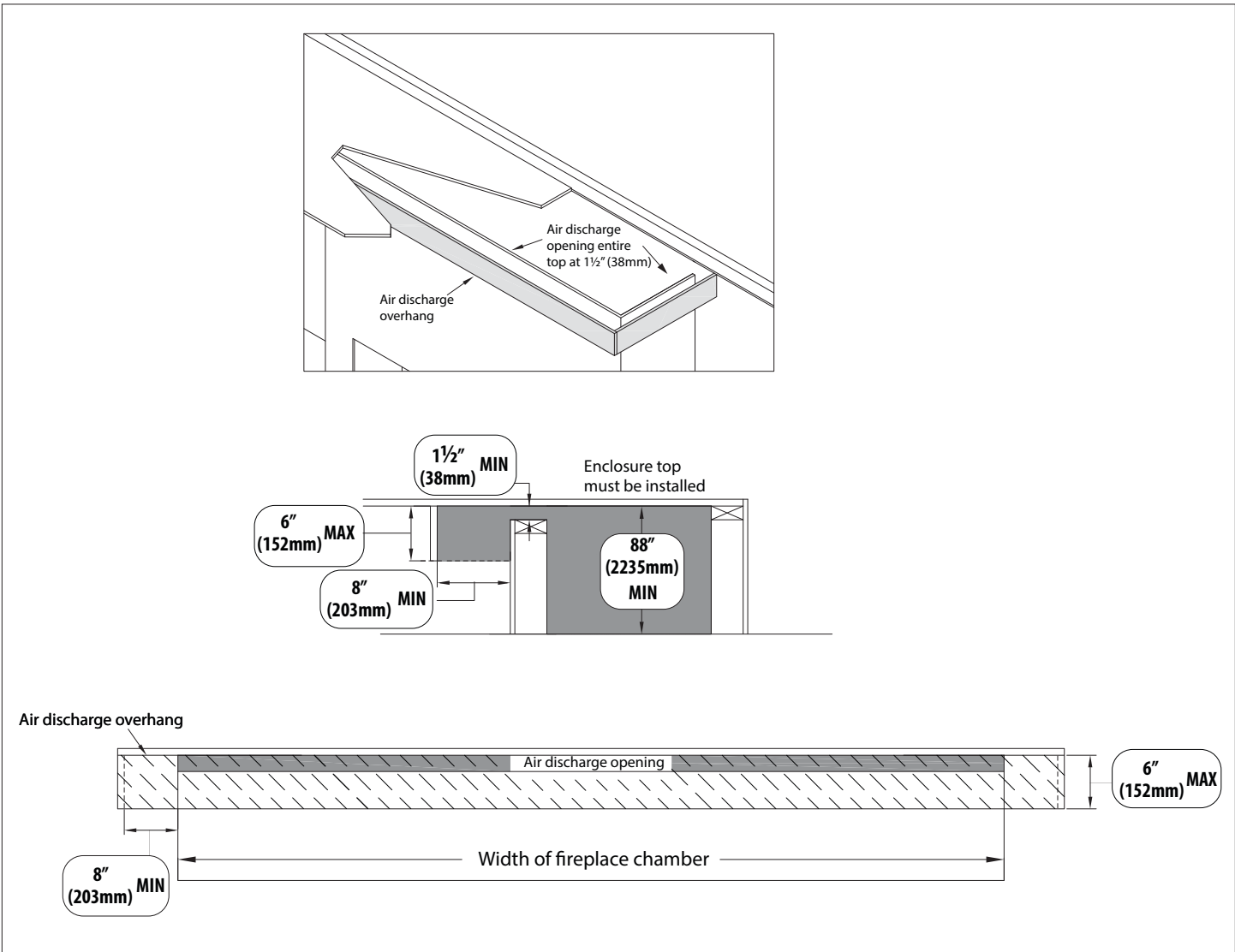


Figure 3.23, Top Vented Cavity Alternative Installation with Overhang

**VENTED CAVITY INSTALLATIONS ONLY**



## 4.0 FACING AND FINISHING

### 4.1 Standard Installation Facing and Finishing Requirements

**WARNING:** Maintain all minimum clearances to combustibles from the appliance and vent system.

**NOTE:** See Section 4.3 Vented Cavity and KZK Facing and Finishing Requirements on page 36 additional mantel, hearth, and sidewall clearances.

#### 4.1.1 Mantel and Hearth Requirements

**WARNING:** All minimum clearances to combustible material **MUST** be maintained.

- **Combustible Mantel Projections:** As referenced in Figure 4.1, the 3/4" mantel trim can start at 8" (203mm) above the top finishing edge with a 6" (152mm) mantel starting at 11-1/2" (292mm) above the top finishing edge. Mantel projections can increase 1" (25mm) of depth for every 1" (25mm) of height starting at the 6" (152mm) mantel.
- **Combustible Hearth:** As referenced in Figure 4.1, the bottom finishing edge can be flush with the top of the hearth.
- **Non-combustible Mantel Projections:** A minimum vertical clearance of 6" (152mm) above the top finishing edge to a maximum 6" (152mm) depth of a non-combustible mantel. Follow projection 1" (25mm) up for every 1" (25mm) deeper. See Figure 4.2 on page 31.
- **Mantel Leg:** There is a required 6" (152mm) clearance to any combustible or non-combustible mantel leg. See Figure 4.3 on page 32.

#### 4.1.2 Adjacent Sidewall Requirements

- The adjacent sidewall minimum clearance is 6" (152mm) from the side finishing edges of the fireplace. See Figure 4.3 on page 32.

#### 4.1.3 Facing Requirements

- Non-combustible material is required at the top and sides of the fireplace. This fireplace is designed to accommodate non-combustible facing material up to 1/2" (13mm) thick. See Figure 4.5 on page 34 for minimum non-combustible facing material dimensions.
- Install facing material up to the finishing edge that surrounds the glass frame assembly. Do not apply any material beyond this point. The glass frame assembly must be removable.
- It is acceptable to pre-drill holes and to use self-tapping screws prior to attaching the non-combustible material to the top and sides of the fireplace face. Screws can only penetrate the fireplace outer shell up to 1/2" (13mm) in the allowed areas.

#### 4.1.4 Finishing Recommendations

**NOTE:** The surface area above the appliance may be affected by high temperatures emitted from this appliance. To help avoid or reduce the possibility of the sheetrock to crack, Hussong Mfg. Co., Inc. recommends the following methods:

- Ensure the non-combustible material and sheetrock is dry and dust free.
- For taping and mudding seams, we recommend heat resilient tape, mesh and joint compounds, such as Durabond. Joint compounds must be cured as per manufacturer's recommendations.
- For a painted surface, use a high quality acrylic latex primer and finish coat. Avoid flat or light-colored paints to prevent discoloring.

Nominal 2"x 4" framing used in enclosure framing



Non-combustible zone

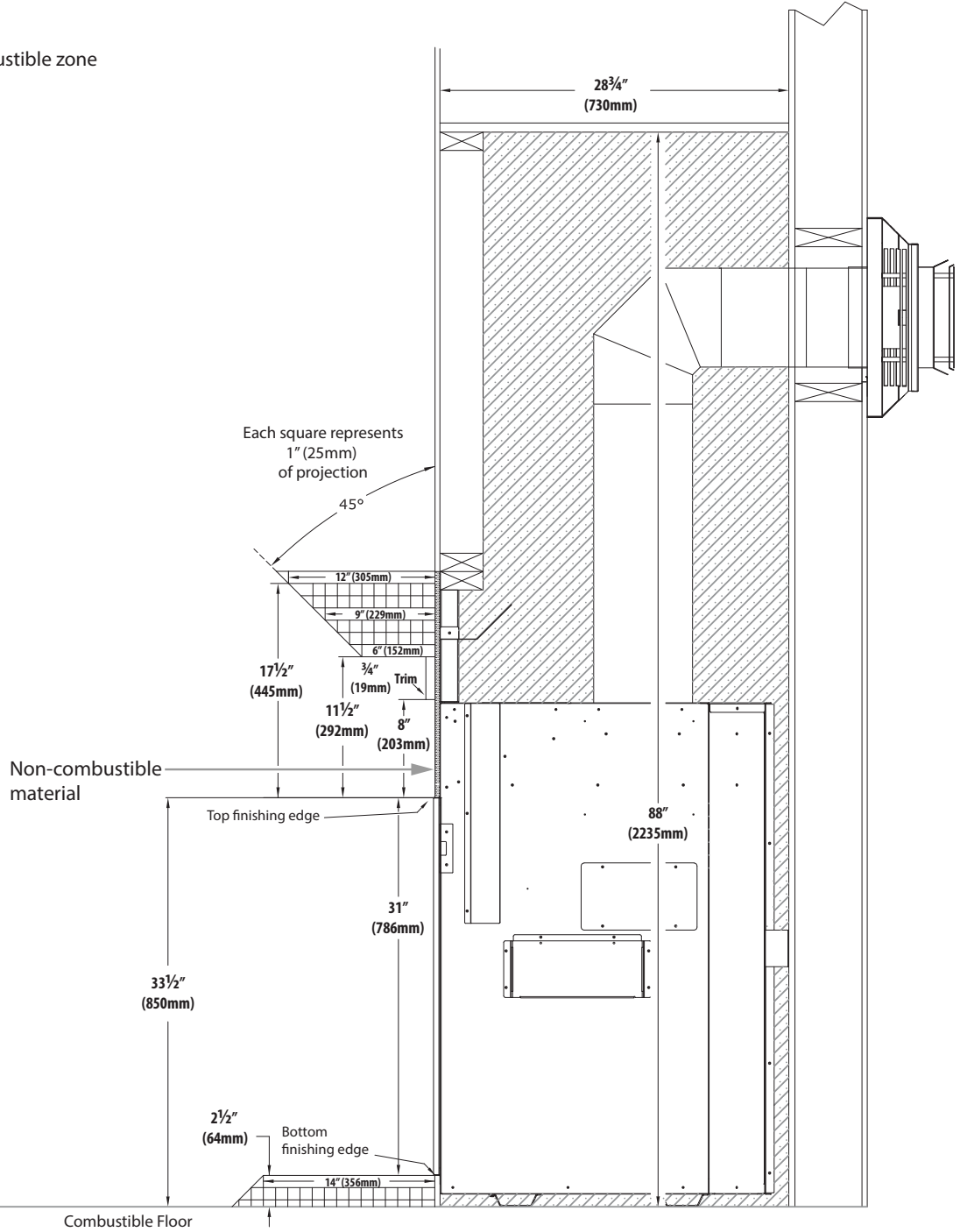
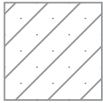


Figure 4.1, Standard Installation Combustible Mantel and Hearth

**STANDARD INSTALLATION**

Nominal 2"x 4" framing used in enclosure framing



Non-combustible zone

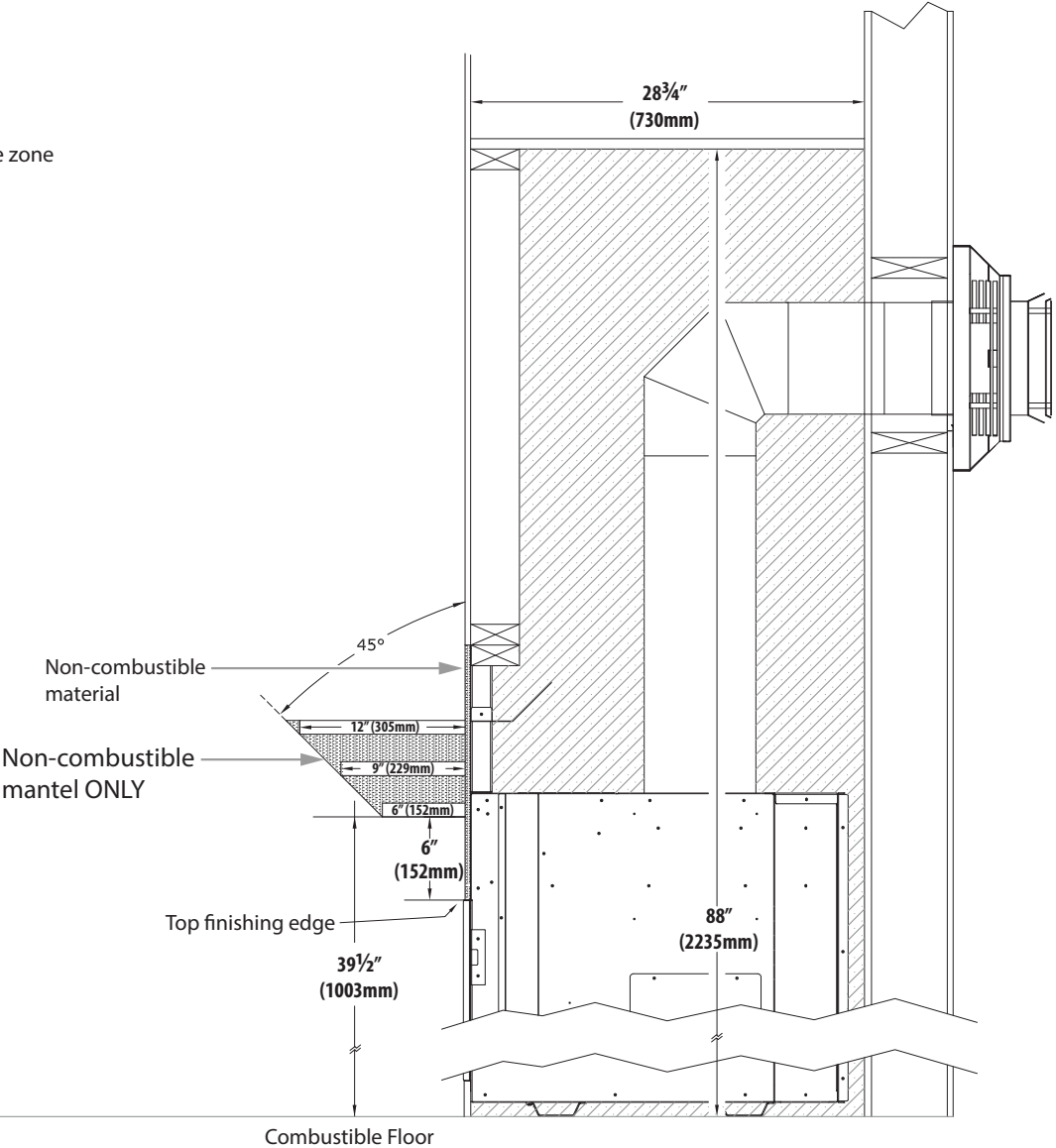


Figure 4.2, Standard Installation Non-combustible Mantel Clearances

**STANDARD INSTALLATION**

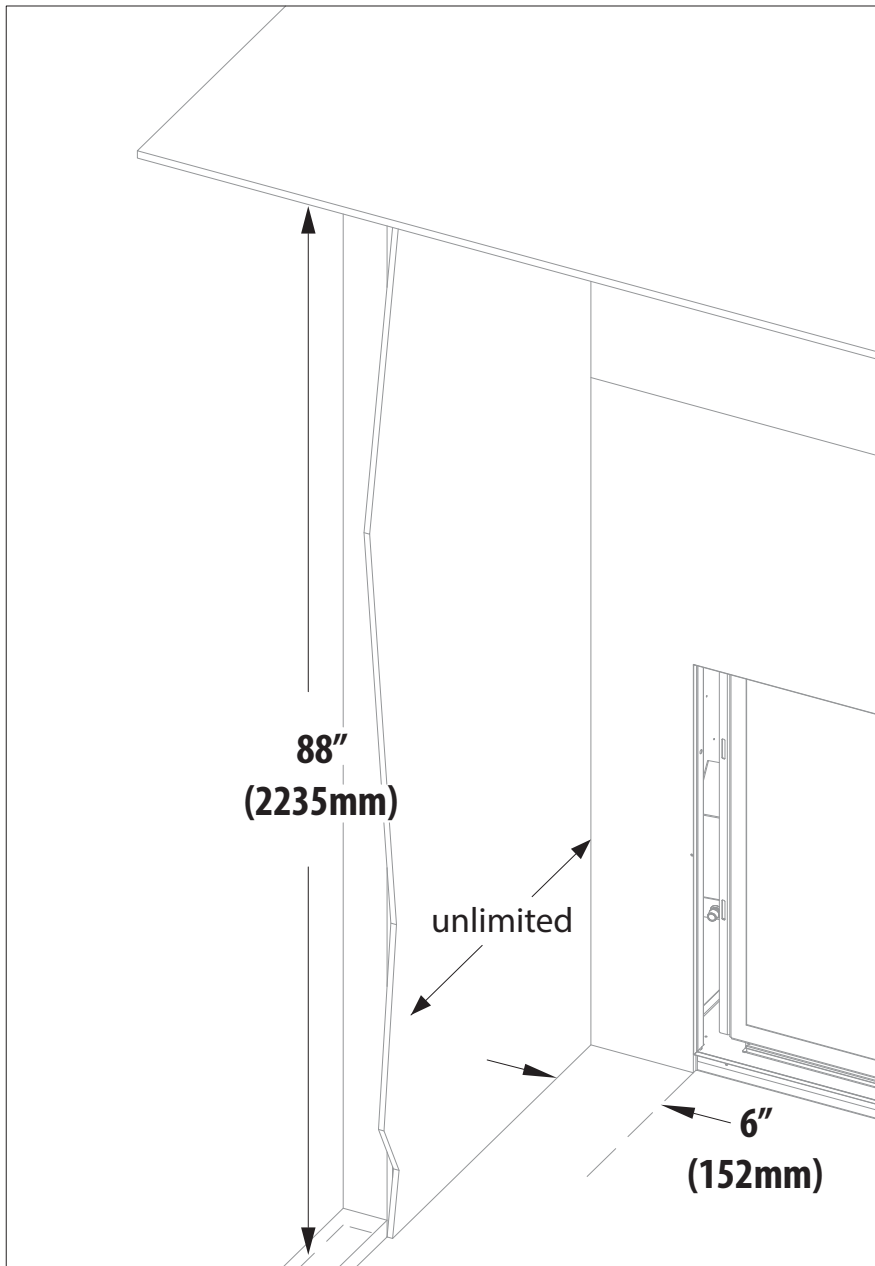


Figure 4.3, Adjacent Sidewall Clearances

**ALL DESIGN OPTIONS INSTALLATION**

Nominal 2"x 4" framing used

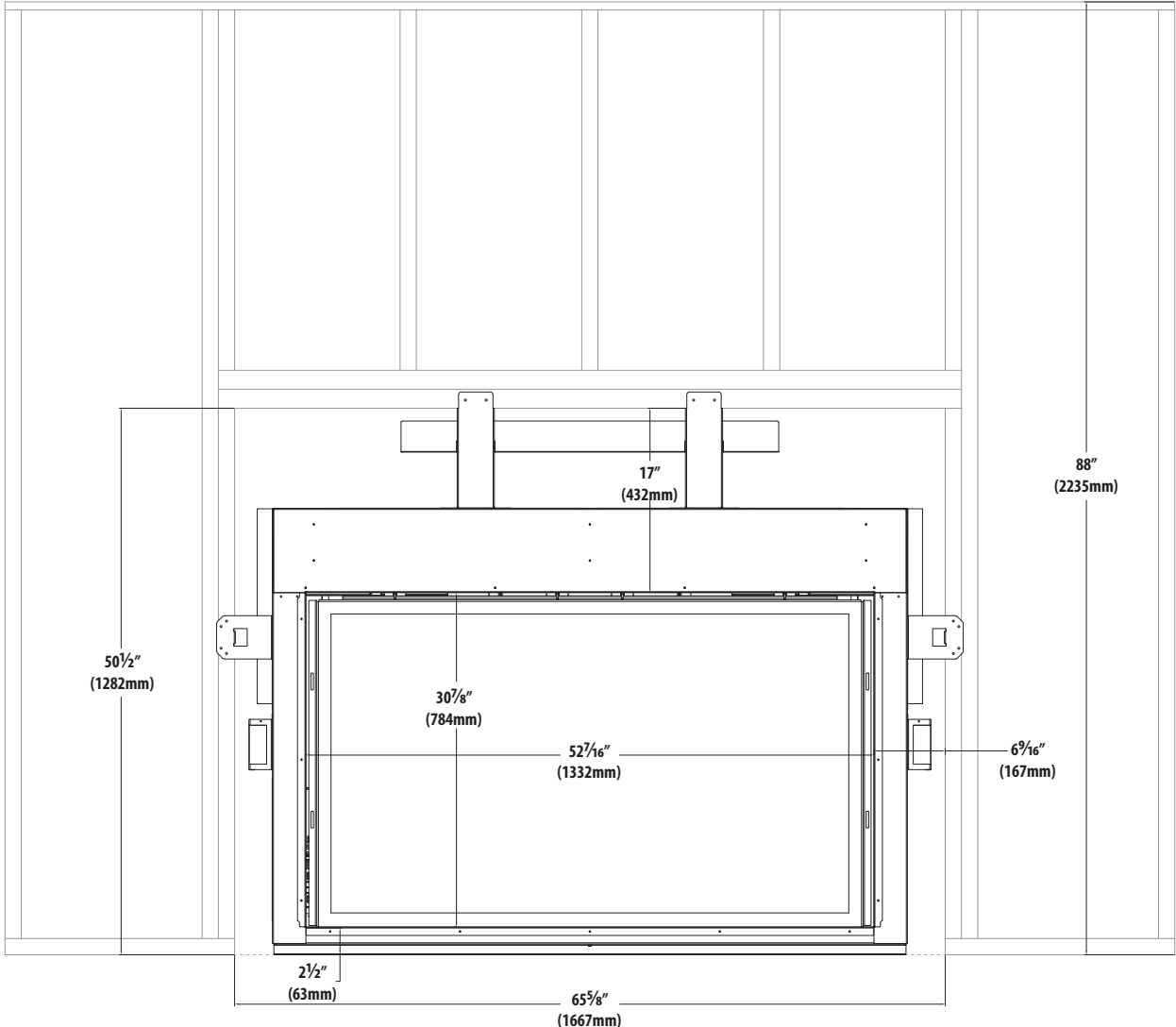
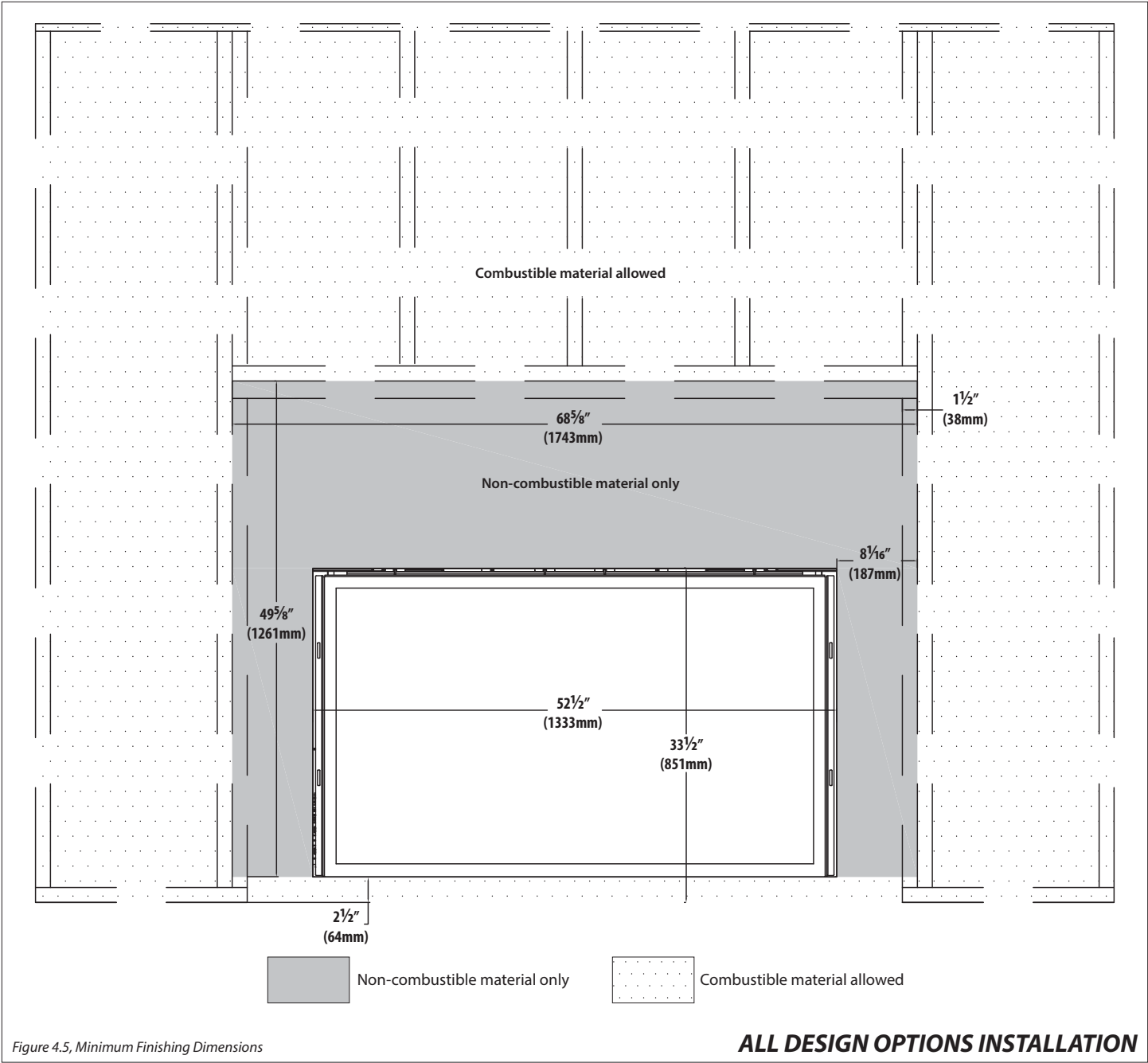


Figure 4.4, Framed Opening Clearances

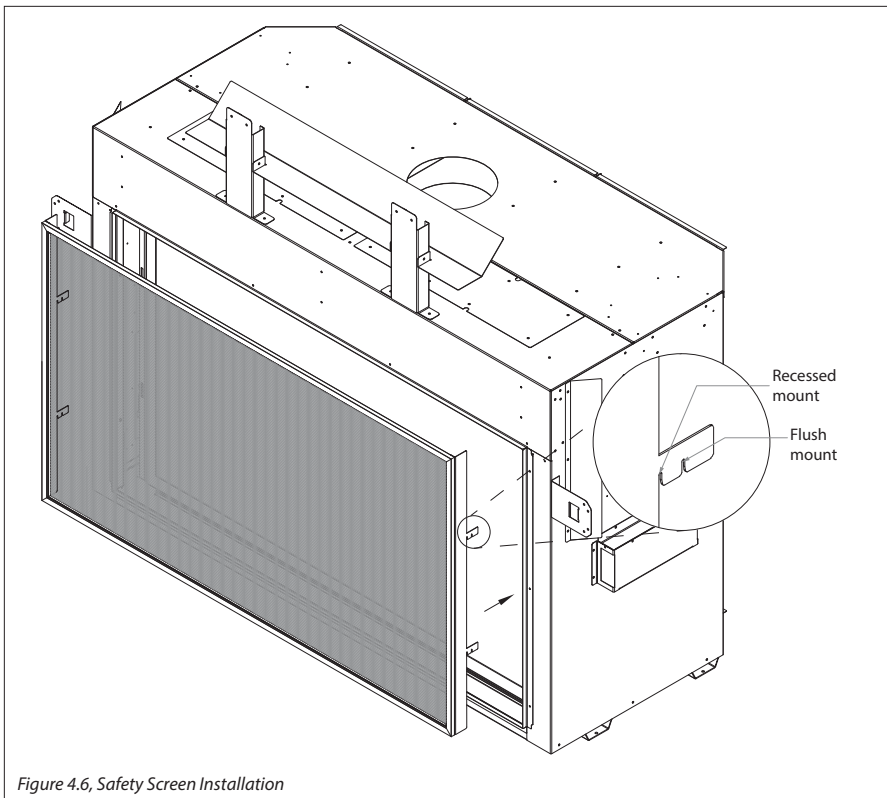
**ALL DESIGN OPTIONS INSTALLATION**



## 4.2 Safety Barrier Installation

### 4.2.1 Safety Barrier Screen (#BH52-ES)

1. Locate the (4) slots ([2] on each side) located on each side of the glass valance.
  2. There are two mounting options based on notched tab position. See Figure 4.6 below for a flush or a recessed mount.
  3. Align the notched tabs, located on the back of the safety barrier screen, with the slots on the glass valance for the desired mount.
  4. Raise the safety barrier screen front slightly into slots and allow the tabs to lower into position.
- To remove safety barrier screen: lift the screen up and out of slots.



### 4.3 Vented Cavity and KZK Facing and Finishing Requirements

**WARNING:** Maintain all minimum clearances to combustibles from the appliance and vent system.

**WARNING! RISK OF FIRE:** The following facing and finishing options are for use ONLY when using an optional vented cavity or Komfort Zone Kit with the convection baffle and cover plates removed. DO NOT follow these options unless you are using the vented cavity option.

#### 4.3.1 Mantel and Hearth Requirements

**WARNING:** All minimum clearances to combustible material MUST be maintained.

- **Combustible Hearth and Mantel Projections** - See Figure 4.7 on page 37 for facing and finishing clearances.
- **Mantel Leg:** There is a required 6" (152mm) clearance to any combustible or non-combustible mantel leg. See Figure 4.3 on page 32.

#### 4.3.2 Adjacent Sidewall Requirements

- The adjacent sidewall minimum clearance is 6" (152mm) from the side finishing edges of the fireplace. See Figure 4.3 on page 32.

#### 4.3.3 Facing Requirements

- Non-combustible material is required at the top and sides of the fireplace. This fireplace is designed to accommodate non-combustible facing material up to 1/2" (13mm) thick. See Figure 4.5 on page 34.
- Install facing material up to the finishing edge that surrounds the glass frame assembly. Do not apply any material beyond this point. The glass frame assembly must be removable.
- It is acceptable to pre-drill holes and to use self-tapping screws prior to attach the non-combustible material to the top and sides of the fireplace face, screws can only penetrate the fireplace outer shell up to 1/2" (13mm) in the allowed areas. See Figure 4.5 on page 34.

#### 4.3.4 Finishing Recommendations

**NOTE:** The surface area above the appliance may be affected by high temperatures emitted from this appliance. To help avoid or reduce the possibility of the sheetrock to crack, Hussong Mfg. Co., Inc. recommends the following methods:

- Ensure the non-combustible material and sheetrock is dry and dust free.
- For taping and mudding seams, we recommend heat resilient tape, mesh and joint compounds, such as Durabond. Mud must be cured as per manufacturer's recommendations.
- For a painted surface, use a high quality acrylic latex primer and finish coat. Avoid flat or light-colored paints to prevent discoloring.

#### 4.3.4.1 Combustible Wall Finish

- Figure 4.8 on page 38 shows installation of combustible wall finish up to 1" (25mm) thick for Komfort Zone Kit(s) and Vented Cavity installations. For KZK-1510 and KZK-052 installations, reference the manuals included with the kit.
- Finishing materials cannot block the required vented cavity discharge opening requirements.
- This combustible material goes on any required non-combustible materials as shown in Figure 4.5 on page 34.
- This 1" (25mm) combustible material is able to go down to the fireplace finishing edge and up to the air discharge opening.



Nominal 2"x 4" framing used in enclosure framing



Non-combustible zone

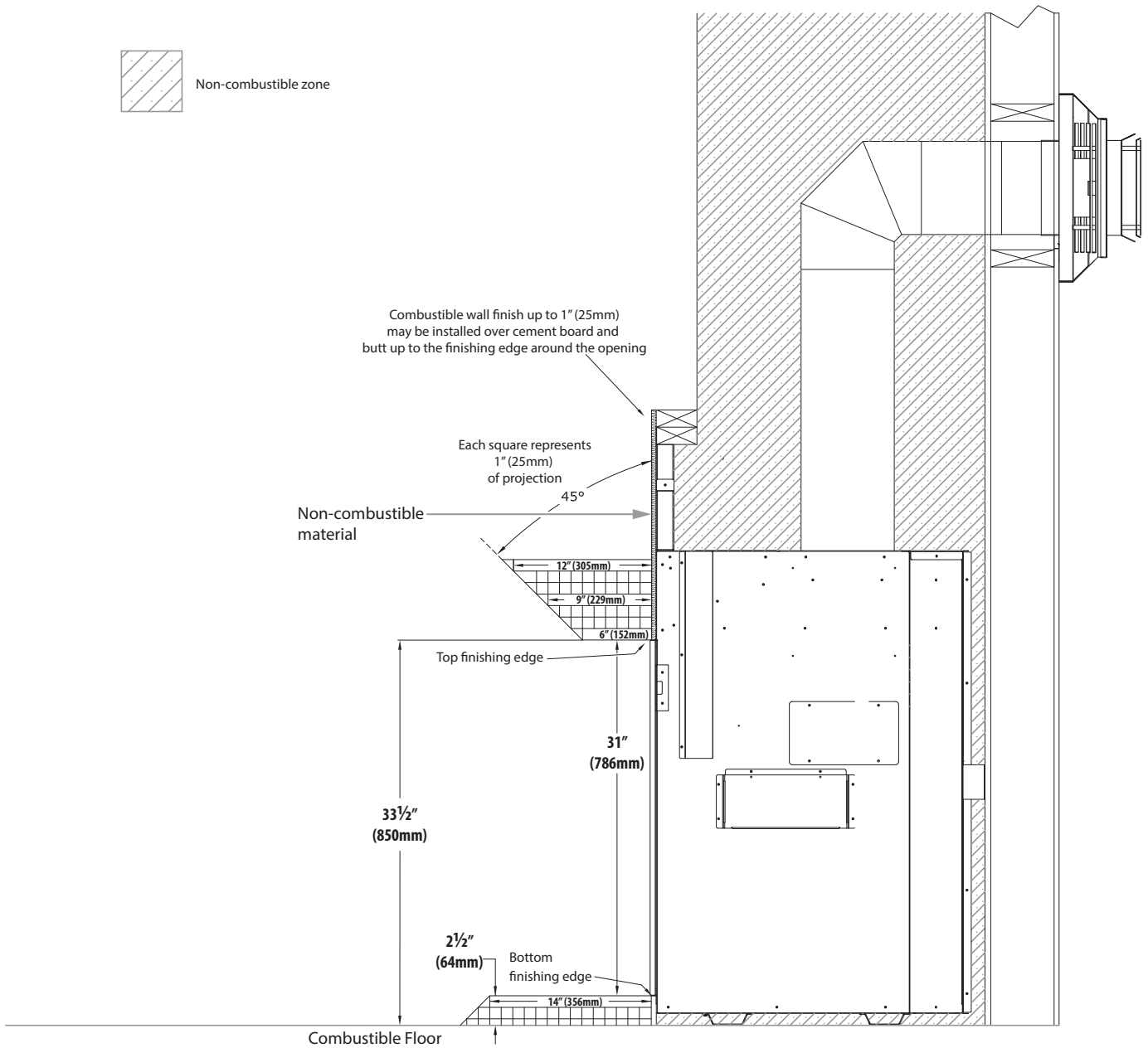


Figure 4.7, Vented Cavity & KZK Facing and Finishing Clearances

**VENTED CAVITY AND KZK INSTALLATIONS ONLY**

Nominal 2"x 4" framing used in enclosure framing

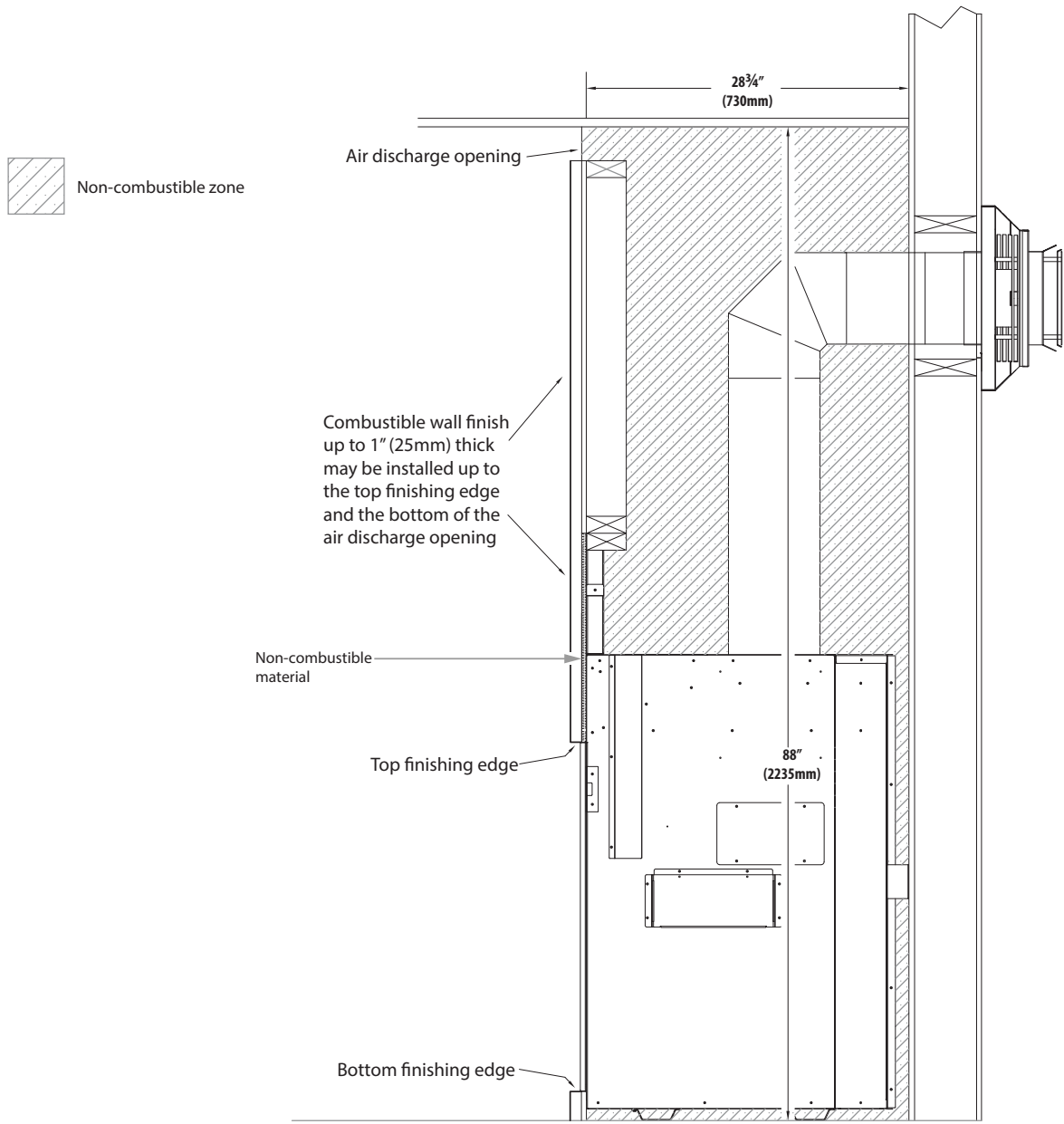


Figure 4.8, Combustible Wall Finish up to 1" (25mm) thick

**VENTED CAVITY AND KZK INSTALLATIONS ONLY**

## 5.0 GAS LINE CONNECTION

### 5.1 Gas Conversion

The gas conversion kit is sold separately.

**ATTENTION:** The conversion shall be carried out in accordance with the requirements of the provincial authorities having jurisdiction and in accordance with the requirements of the ANSI Z223.1 installation code.

This fireplace is manufactured for use with natural gas. Follow the instructions included with the conversion kit if converting to propane.

### 5.2 Gas Line Installation

**CAUTION:** Installation of the gas line must only be done by a qualified person in accordance with local building codes, if any. If not, follow ANSI Z223.1. Commonwealth of Massachusetts installations must be done by a licensed plumber or gas fitter.

**NOTE:** The appliance and its individual shutoff valve must be disconnected from the gas supply piping system during any pressure testing of that system at pressures in excess of ½ psi (3.5 kPa). For test pressures equal to or less than ½ psi (3.5 kPa), the appliance must be isolated from the gas supply piping system by closing its individual manual shut-off valve.

- A listed (and Commonwealth of Massachusetts approved) ½" (13mm) tee handle manual shut-off valve and flexible gas connector are to be connected to the ½" (13mm) control valve inlet. If substituting for these components, please consult local codes for compliance.
- This fireplace is equipped with a 3/8" (10mm) x 24" (610mm) long flexible gas connector and manual shut-off valve.
- Run gas line into fireplace into the access hole provided. Refer to Figure 2.1, BHM-52 Dimensions on page 9. The gas line should be run to the point of connection where the shut-off valve and flexible gas line will connect.
- Do not run gas line in a manner that would obstruct fan operation.
- For high altitude installations, consult the local gas distributor or the authority having jurisdiction for proper rating methods.

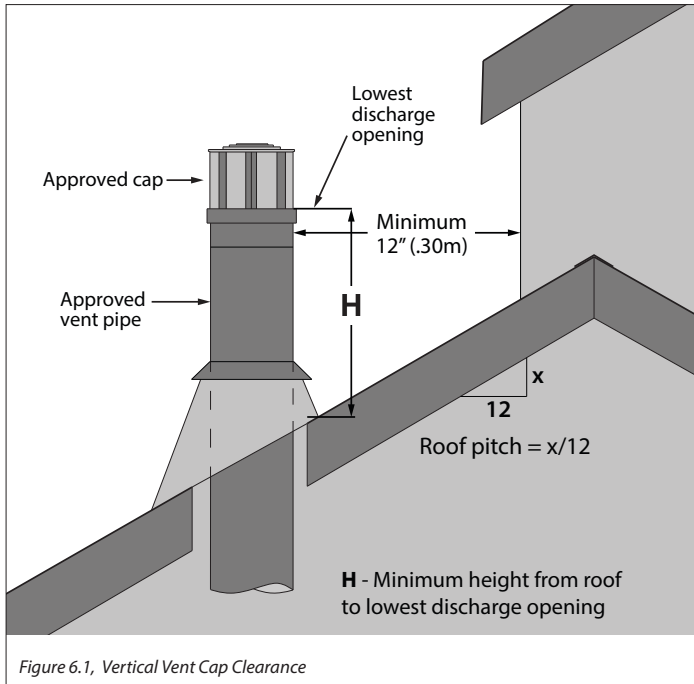
**Table 5.1, Inlet Gas Supply Pressures**

Fuel	Minimum Pressure	Maximum Pressure
Natural Gas	5" WC (1.25 kPa) 7" WC (1.74 kPa) <i>recommended</i>	10.5" WC (2.62 kPa)
Propane	12" WC (2.99 kPa) <i>recommended</i>	13" WC (3.24 kPa)

## 6.0 NATURAL DRAFT TERMINATION LOCATIONS

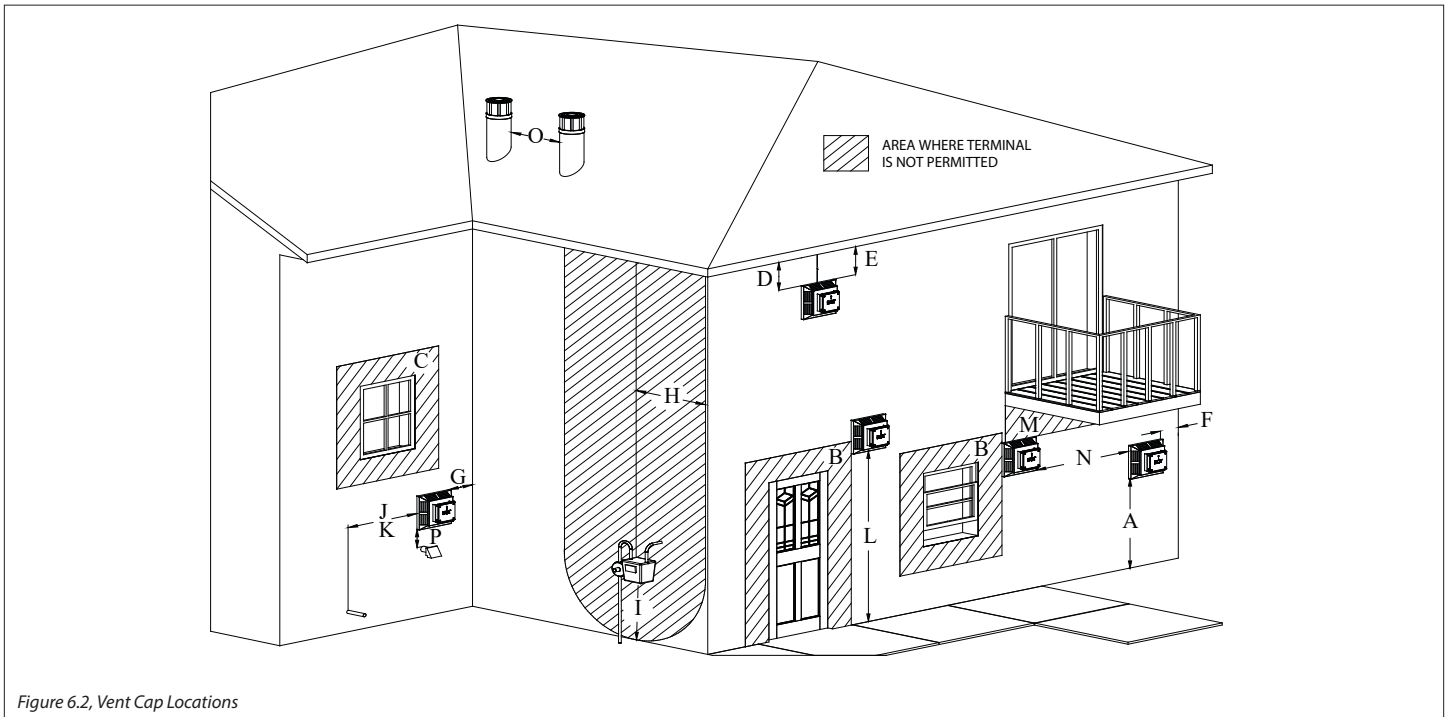
### 6.1 Vertical Natural Draft Vent Termination

**WARNING:** This appliance must not share or be connected to a chimney flue serving a separate solid-fuel burning appliance.



Roof Pitch	Minimum height (H) from roof	
	Feet	Meters
Flat to 6/12	1.0	0.30
Over 6/12 to 7/12	1.25	0.38
Over 7/12 to 8/12	1.5	0.46
Over 8/12 to 9/12	2.0	0.61
Over 9/12 to 10/12	2.5	0.76
Over 10/12 to 11/12	3.25	0.99
Over 11/12 to 12/12	4.0	1.22
Over 12/12 to 14/12	5.0	1.52
Over 14/12 to 16/12	6.0	1.83
Over 16/12 to 18/12	7.0	2.13
Over 18/12 to 20/12	7.5	2.27
Over 20/12 to 21/12	8.0	2.44

## 6.2 Minimum Natural Draft Vent Termination Clearances



		Canadian installations	US installations
<b>A</b>	Clearance above grade, veranda, porch, deck, or balcony	12" (30cm)	12" (30cm)
<b>B</b>	Clearance to window or door that may be opened	12" (30cm)	12" (30cm)
<b>C</b>	Clearance to permanently closed window (recommended to prevent condensation on window)	12" (30cm)*	12" (30cm)*
<b>D</b>	Vertical clearance to ventilated soffit located above the terminal within a horizontal distance of 2 feet (61 cm) from the edge of the terminal	24" (61cm)*	24" (61cm)*
<b>E</b>	Clearance to unventilated soffit	12" (30cm)*	12" (30cm)*
<b>F</b>	Clearance to outside corner	0" (0cm)*	0" (0cm)*
<b>G</b>	Clearance to inside corner	12" (30cm)*	12" (30cm)
<b>H</b>	Clearance to each side of center line extended above meter/regulator assembly	3' (91cm) within a height 15' (4.5m) above the meter/ regulator assembly	*
<b>I</b>	Clearance to service regulator vent outlet	3' (91 cm)	*
<b>J</b>	Clearance to non mechanical air supply inlet to building or the combustion air inlet to any other appliance	12" (30cm)	12" (30cm)
<b>K</b>	Clearance to mechanical air supply inlet	6' (1.83m)	3' (91cm) above if within 10' (3m) horizontally Massachusetts: 10' (3m)
<b>L</b>	Clearance above paved sidewalk or paved driveway located on public property	7' (2.13m)†	*
<b>M</b>	Clearance under veranda, porch deck, or balcony	12" (30cm)‡	12" (30cm)
<b>N</b>	Clearance between two horizontal terminations	12" (30cm)	12" (30cm)
<b>O</b>	Clearance between two vertical terminations (may be same height)	12" (30cm)	12" (30cm)
<b>P</b>	Above furnace exhaust or inlet	12" (30cm)	12" (30cm)

\* Clearance in accordance with local installation codes and the requirements of the gas supplier.

† A vent shall not terminate directly above a sidewalk or paved driveway that is located between two single family dwellings and serves both dwellings.

‡ Permitted only if veranda, porch, deck, or balcony is fully open on a minimum of two sides beneath the floor.

VINYL SOFFIT, VINYL CEILING, AND VINYL OVERHANG DISCLAIMER: Clearances to heat resistant material (i.e. wood, metal). This does not include vinyl. Hussong Manufacturing Co., Inc. will not be held responsible for heat damage caused from terminating under vinyl overhangs, vinyl ceilings, or vinyl ventilated/unventilated soffits.

## 7.0 VENTING

### 7.1 Approved Vent Systems

This appliance is equipped for use with a 5" (127mm) exhaust by 8" (203mm) air intake co-axial vent pipe system.

This appliance is approved for use for Kozy Heat Power Venting #KPV (sold separately).

This appliance is approved for use with manufacturers (horizontal and vertical terminations): American Metal Products (Ameri-Vent), BDM, ICC, Metal Fab\*, Olympia Chimney Supply, Inc., Selkirk, and Simpson DuraVent. See Sections 7.1.1 and 7.1.2.

**\*WHEN INSTALLING METAL FAB VENT SYSTEM** with this appliance an adapter must be used. Use adapter part number 5DDA. See Section 3.6 Natural Draft Vent Termination Rough Framing on page 16 for more information.

The vent configurations listed in this manual are shown with rigid pipe. Flexible pipe may be used for approved venting configurations by approved vent manufacturers (listed below). Refer to the vent manufacturer's installation instructions.

Refer to the vent manufacturer's installation manual for complete installation instructions. Vent installation must conform with venting requirements and restrictions as outlined in this manual.

#### 7.1.1 Approved 5" x 8" Vent Systems

Vent Manufacturer	Vent Cap Part Number
American Metal Products (Ameri-Vent)	5DHCS 5DHC 5DVC 5D14S 5D36S
BDM	DVR8-HCP DVR8-VCLP DVR8-VCH
Simpson DuraVent	58DVA-HC 58DVA-VCH 58DVA-VC 58DVA-VCE
ICC	TM-5HT TM-5SVT
Metal Fab (Adapter 5DDA must be used)	5DHT 5DVT 5DVTHW 5DST14 5DST36
Olympia Chimney Supply, Inc.	VDV-HC05 VDV-VC05 VDV-VCH05
Selkirk	5DT-HC 5DT-HCR 5DT-VT 5DT-VC

#### 7.1.2 Approved 4" x 6-5/8" Vent Systems

This appliance may be reduced from a 5" x 8" to a 4" x 6-5/8" vent system using a vent reducer from an approved vent system. Refer to the vent manufacturer's installation manual for more information.

Vent Manufacturer	Vent Cap Part Number
American Metal Products (Ameri-Vent)	4DVC
BDM	DVR6-VCLP DVR6-VCH
Simpson DuraVent	46DVA-VCH 46DVA-VC 46DVA-VCE
ICC	TM-4SVT
Kozy Heat	KPV
Metal Fab	4DVT 4DVTHW
Olympia Chimney Supply, Inc.	VDV-VC04 VDV-VCH04
Selkirk	4DT-VT 4DT-VC

### 7.2 Venting Requirements

**NOTE: Consult the local and national installation codes to assure adequate combustion and ventilation air is available. Venting requirements apply to both natural gas and propane.**

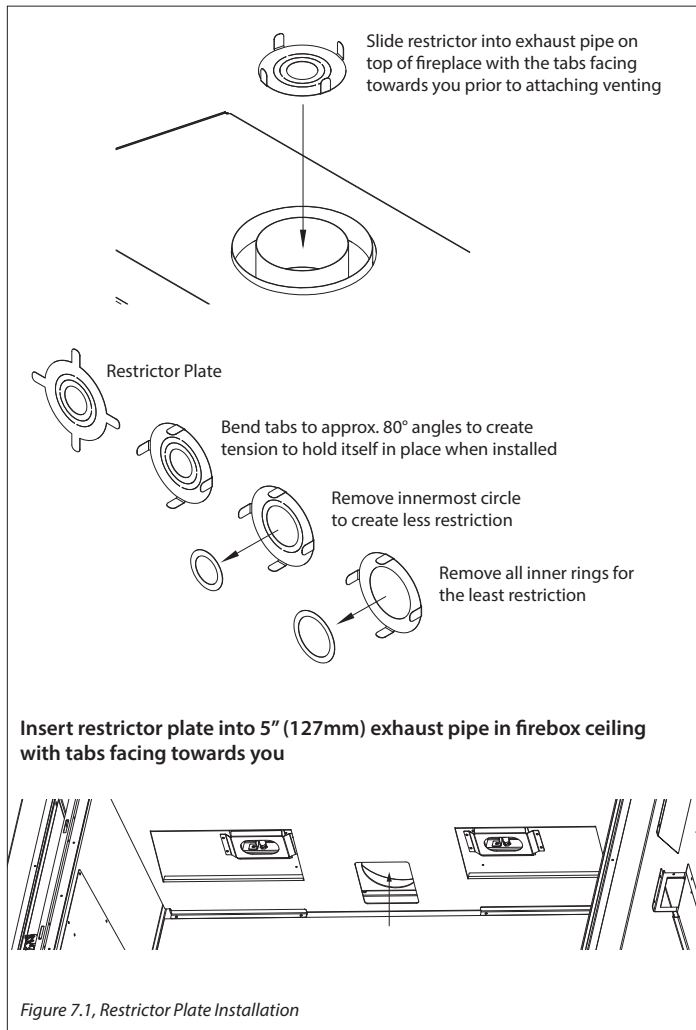
- Flame height and appearance will vary depending upon venting configuration and the type of fuel used.
- Provide a means for visually checking the vent connection to the appliance after the fireplace is installed.
- A minimum of 1" (25mm) clearance on all sides of the vertical vent pipe must be maintained. Attic insulation shields may be insulated using unfaced insulation products listed as noncombustible per ASTM E 136.
- A minimum of 1" (25mm) clearance on the top, sides, and bottom of the horizontal vent pipe must be maintained. Wall thimble products that comply with the required clearances to combustibles must be installed for all horizontal vent runs that pass through interior or exterior walls. These wall thimble products may be insulated using unfaced insulation products listed as noncombustible per ASTM E 136.

### 7.3 Natural Draft Vent Restriction

Burner flame appearance and characteristics are affected by altitude, fuel quality, venting configuration, and other factors. To achieve desirable flame appearance, the vent exhaust may be restricted by the restrictor plate (included in components packet).

The restrictor plate is shipped with all inner rings intact, and when installed, provides the most vent restriction. There are (2) inner rings that can be knocked out. The innermost ring knocked out will create less restriction, and the outer most ring knocked out will create the least amount of restriction.

Follow Figure 7.1 for restrictor plate installation before attaching venting or through the baffle if venting is already attached. For vent restriction plate recommendations and adjustments, see Section 11.2.2 Vent Restriction (after installation) on page 67.



## 7.4 Natural Draft Installation

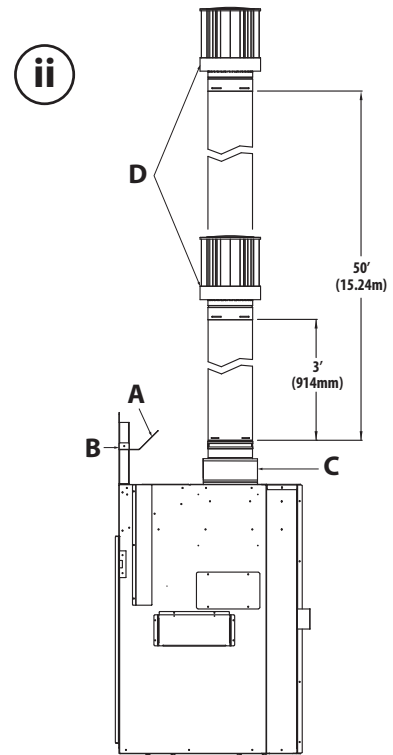
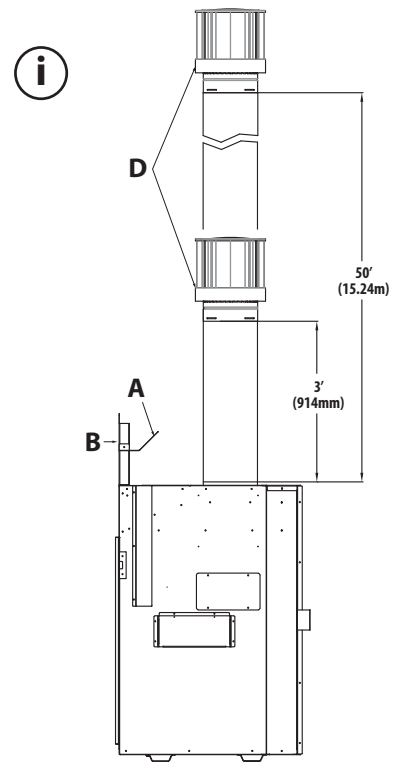
### 7.4.1 Natural Gas and Propane Vertical Terminations

The vent configurations listed below are shown with rigid pipe. Flexible pipe may be used for approved venting configurations by vent manufacturers listed in Section 7.1 Approved Vent Systems on page 42. Refer to the vent manufacturer's installation instructions.

- (i) **Minimum / Maximum Vertical Terminations:**  
3' (914mm) minimum vertical length / 50' (15.24m) maximum vertical length + termination cap
  - (ii) **Minimum / Maximum Vertical Terminations with Reducer\*:**  
4" x 6-5/8" reducer + 3' (914mm) minimum vertical length / 50' (15.24m) maximum vertical length + termination cap
- \*To use any 45° elbow for vertical terminations with a reducer, the total minimum vertical vent run must be 10' (3.05m). A total of (4) 45° elbows may be used. No 90° elbows are allowed. For every 45° elbow used, 18" (457mm) must be subtracted from maximum venting allowed.**

DIAG.1 NATURAL GAS & PROPANE VERTICAL TERMINATIONS

- (A) Header Heat Shield
- (B) Stand-off Assembly
- (C) Reducer
- (D) Termination Cap





## 7.4.2 Natural Gas and Propane Combination Venting

The vent configurations listed below are shown with rigid pipe. Flexible pipe may be used for approved venting configurations by vent manufacturers listed in Section 7.1 Approved Vent Systems on page 42. Refer to the vent manufacturer's installation instructions.

**IMPORTANT:** Horizontal vent sections require 1/4" (6mm) rise for every 12" (305mm) of travel.

(i) **Minimum 24" Vertical Vent Pipe / Minimum / Maximum Horizontal Termination**

24" (610mm) vertical vent pipe + 90° horizontal elbow + 6" (152mm) minimum horizontal / 24" (610mm) maximum horizontal + termination cap

(ii) **Minimum 36" Vertical Vent Pipe / Minimum / Maximum Horizontal Termination**

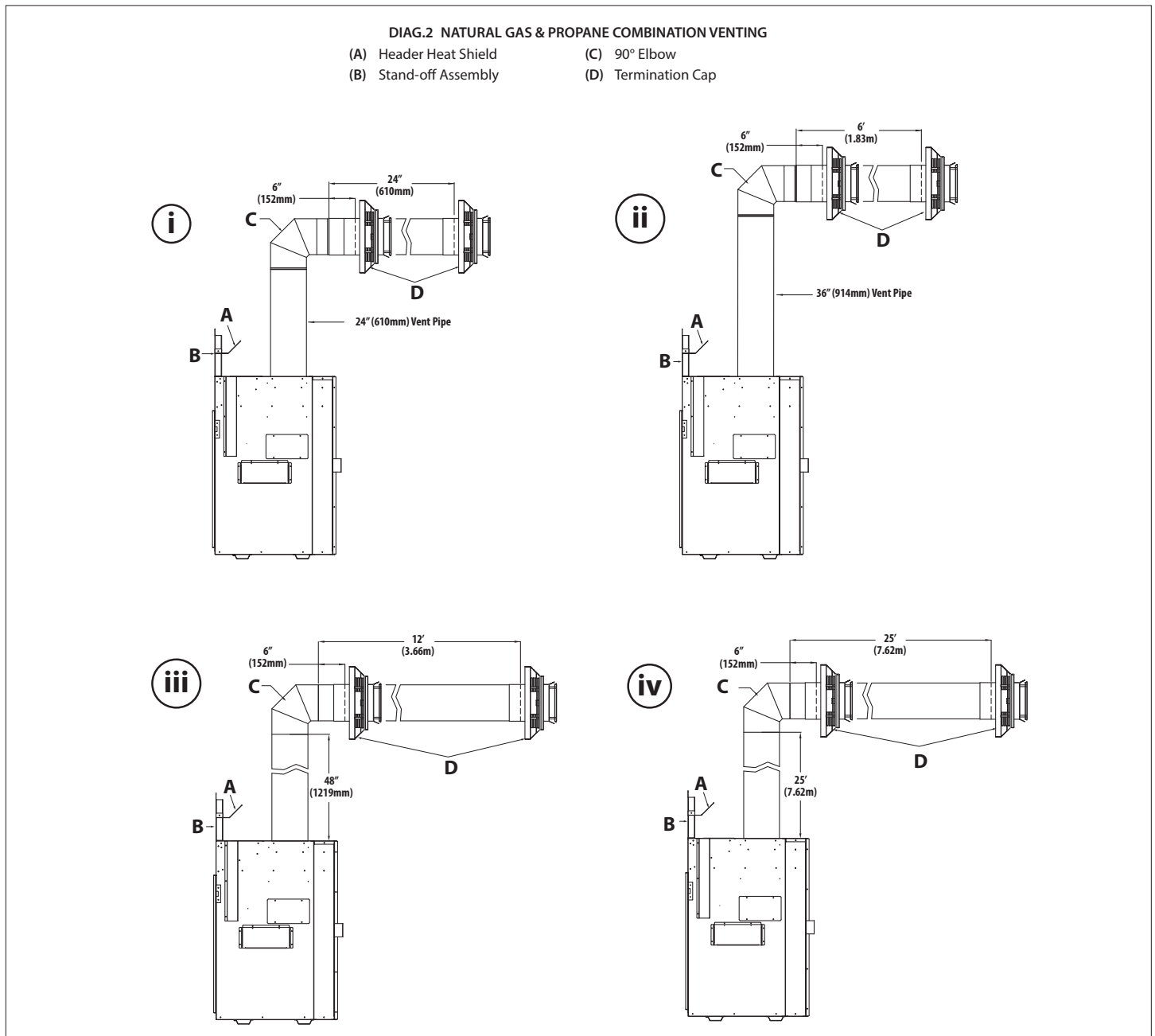
36" (914mm) vertical vent pipe + 90° horizontal elbow + 6" (152mm) minimum horizontal / 6' (1.83m) maximum horizontal + termination cap

(iii) **Minimum 48" Vertical / Minimum / Maximum Horizontal Termination**

48" (1219mm) vertical vent length + 90° horizontal elbow + 6" (152mm) minimum horizontal / 12' (3.66m) maximum horizontal + termination cap

(iv) **Maximum Vertical Venting / Minimum / Maximum Horizontal Termination**

25' (7.62m) vertical vent length + 90° horizontal elbow + 6" (152mm) minimum horizontal / 25' (7.62m) maximum horizontal + termination cap



### 7.4.3 Natural Gas and Propane Maximum Vertical & Maximum Horizontal Combination Venting

The vent configurations listed below are shown with rigid pipe. Flexible pipe may be used for approved venting configurations by vent manufacturers listed in section Section 7.1 Approved Vent Systems on page 42. Refer to the vent manufacturer's installation instructions.

For maximum vertical and maximum horizontal combination venting, the vent terminations must be within the shaded area in Figure 7.2.

- 25' (7.6m) maximum vertical rise + 25' (7.6m) maximum horizontal run = 50' (15.2m) of total length
- Maximum of (5) 90° elbows.
- For each additional 90° elbow used after the first elbow, 3' (914mm) must be subtracted from maximum venting allowed.
- For each 45° elbow used, 18" (457mm) must be subtracted from maximum venting allowed.
- (2) 45° degree elbows may be used in place of (1) 90° elbow.

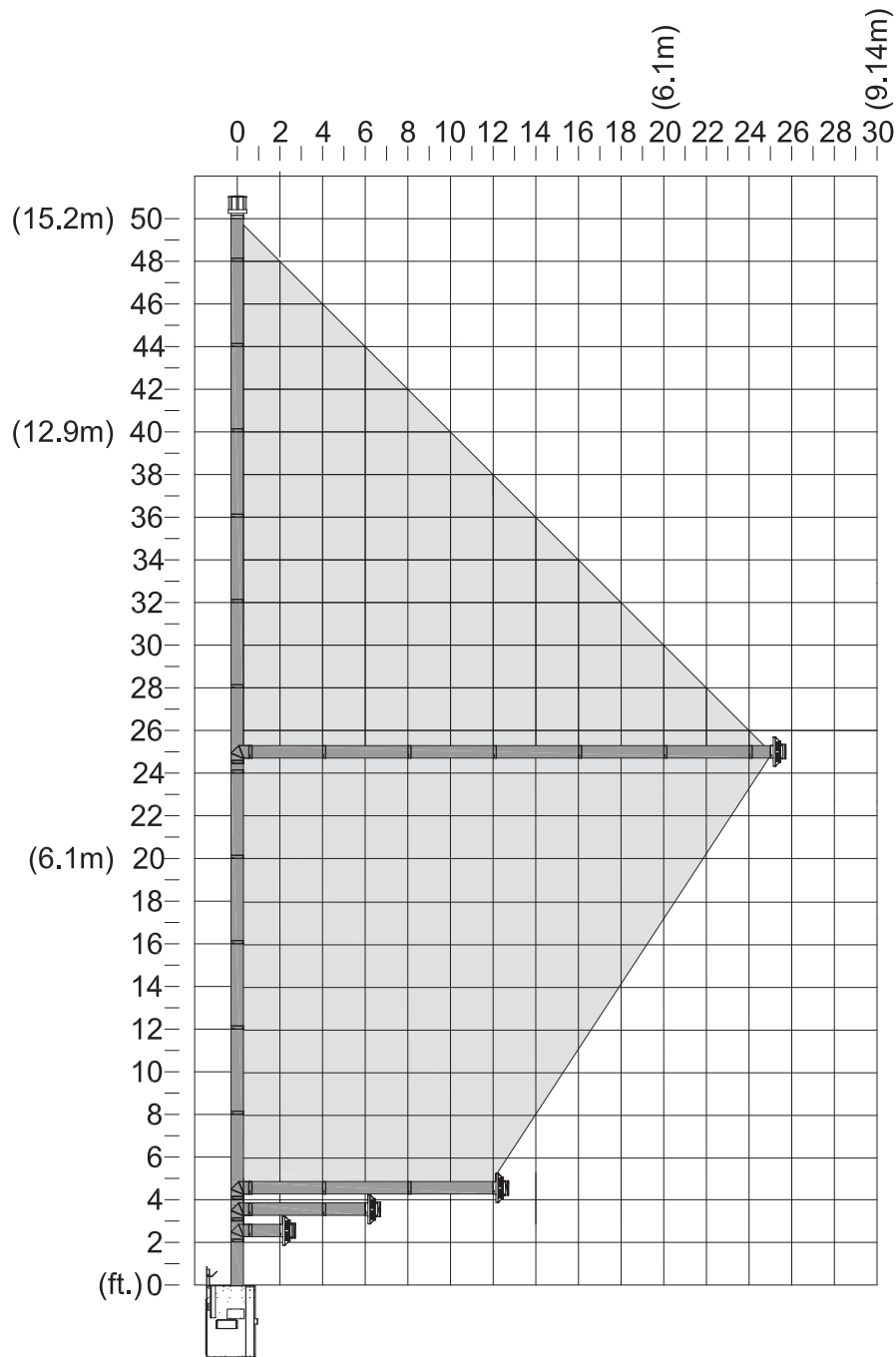


Figure 7.2, Natural Gas and Propane Natural Draft Combination Venting

## 8.0 FIREPLACE SETUP

### 8.1 Glass Frame Assembly

**WARNING:** Do not operate this fireplace with the glass removed, cracked, or broken. Replacement of the glass assembly should be done by a licensed or qualified service person.

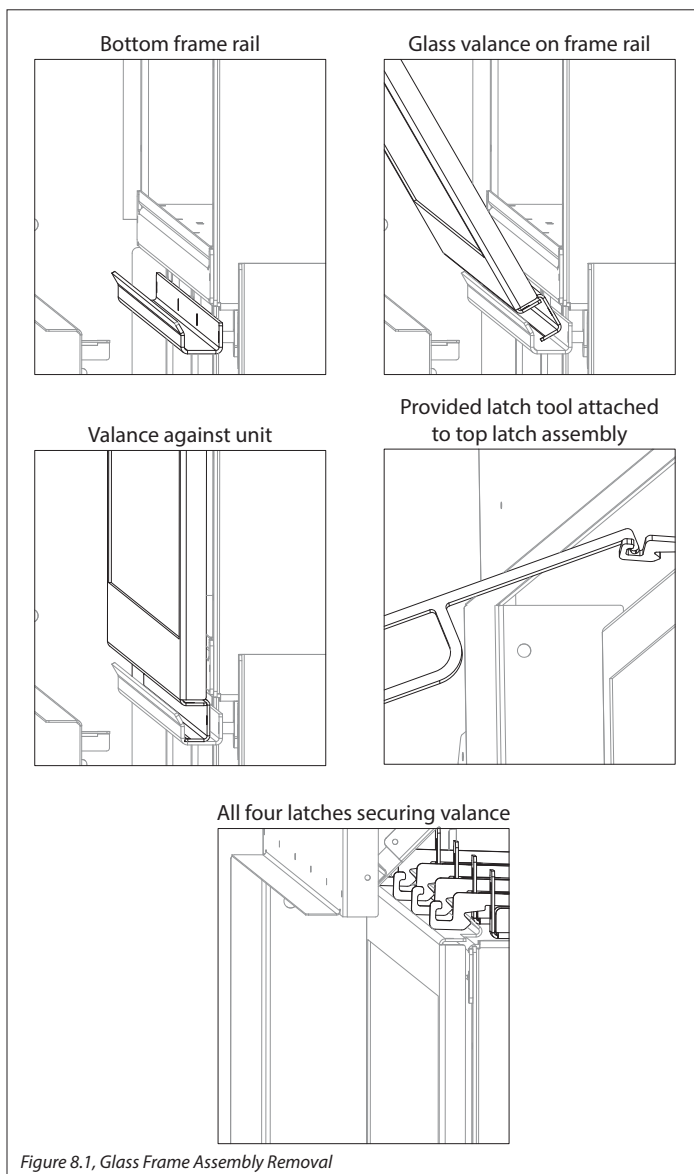
#### 8.1.1 Remove Glass Frame Assembly

**WARNING:** Do not remove the glass assembly when hot.

1. Remove the safety barrier screen.
2. Locate (4) spring-loaded latches securing the glass assembly at the top of the firebox. Use the provided tool to unlatch the latch assemblies from the flange on top of the glass valance.
3. Tilt the top of the glass valance forward and lift up to remove the valance resting on the bottom frame rail.

#### 8.1.2 Install Glass Frame Assembly

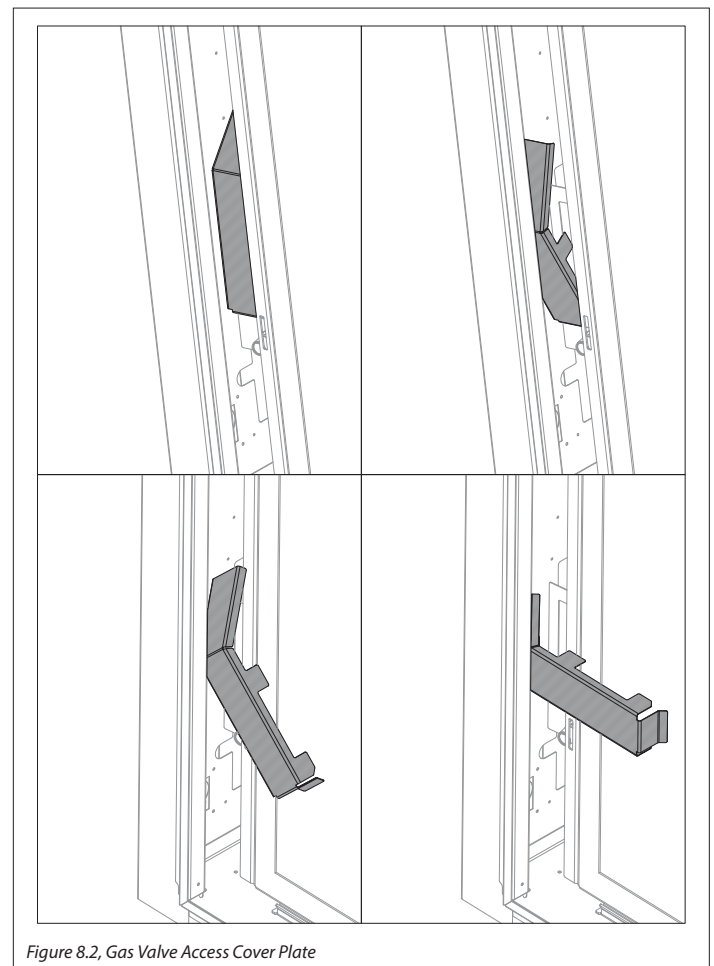
1. Tilt the top of the glass valance forward and align the glass valance with the bottom frame rail
2. Use the provided tool to pull the (4) latch assemblies to latch with the flange on top of the glass valance.
3. Reinstall safety barrier screen.



### 8.2 Gas Valve Access Cover Plate Removal and Installation

To access the gas valve, you will need to remove the access cover plate. The cover plate is attached by magnets. To remove,

1. Remove the safety barrier screen and glass frame assembly.
2. Take the top of the access cover plate and pull it back (towards you).
3. Lift up the access cover plate and pivot out, as shown below.
4. Remove access cover plate from fireplace.
5. To reinstall, follow the drawing below. Align the tabs on the cover plate with the slots in the opening.
6. When finished, reinstall the gas valve access cover plate, glass frame assembly, and safety barrier screen.



## 8.3 Panel Installation

**WARNING: RISK OF FIRE! Do not operate this fireplace without a refractory or black glass panel kit installed.**

- Refractory or black glass panels will provide insulation and are required to operate this fireplace.
- If converting to propane, complete the conversion before installing any refractory or black glass panels. Follow instructions included with the kit.

### BEFORE INSTALLATION:

1. Remove the safety barrier screen, glass assembly, and log set (if installed).
2. Locate the (2) screws in the rear of the fireplace baffle near the exhaust opening and the (2) screws located on each side of the fireplace baffle. Locate the (6) panel clips shipped with the panels. These clips are shipped flat. Bend the metal finger at a 90° angle.

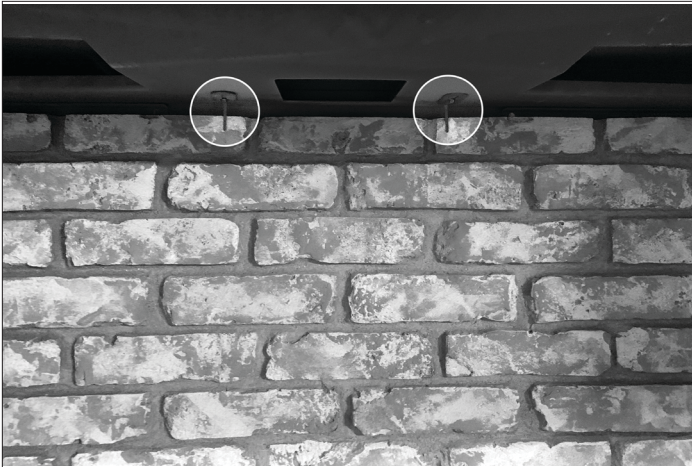


Figure 8.3, Back Refractory Panel Installed



Figure 8.4, Side Refractory Panel Installed

### 8.3.1 Refractory Panels

1. Install back refractory panel. Secure with (2) panel clips previously bent. See Figure 8.3.
2. Install side refractory panels. Tilt the back of the panel in first then pivot up. Secure with (2) panel clips for each side. See Figure 8.4.

### 8.3.2 Black Glass Panels

**NOTE: The smooth side of the glass panel will face forward in the firebox, with the textured side against the firebox walls.**

**It is recommended to wear clean gloves when handling panels. Handle with care. Use both hands when installing.**

1. Install back black glass panel. Secure with panel clips previously bent. Verify black glass is flat against the firebox.
2. Install side black glass panels. Carefully slide the panel on the main log support until you reach the screws at the back of firebox as shown in Figure 8.5. Use your hand to carefully pull the rear of the side panel around the screws.
3. Secure side panels with refractory clips previously bent. Verify black glass is flat against firebox.

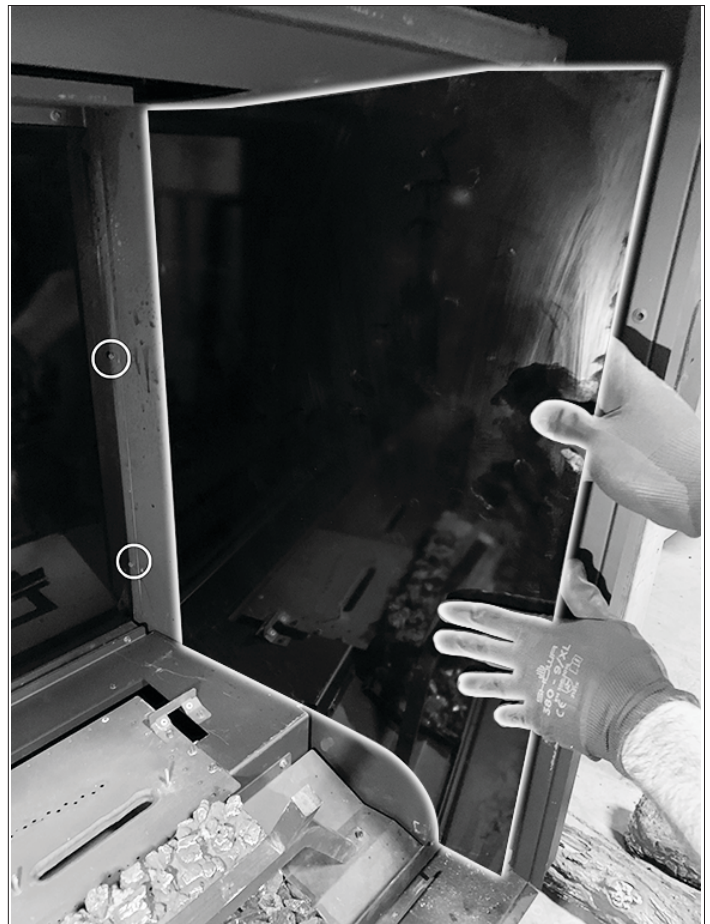


Figure 8.5, Side Black Glass Panels Installed



## 8.4 #BH52-500 & #BH52-B501 Log Set Installation

**CAUTION:** Do not place logs directly over burner portholes. Improper log placement may affect flame appearance and cause excessive soot to build upon the logs and glass.

**NOTE:** Your logs may look different than shown. The logs will install the same for both traditional (#BH52-500) and birchwood (#BH52-B501).

- If converting to propane, complete the conversion before installing the log set. Follow the conversion instructions included with the kit.
  - Log numbers are located on the bottom of each log. Refer to the following instructions and illustrations for proper log placement.
1. Using both hands, place log 1 at the rear of the firebox, as shown

in Figure 8.7. Slide the log forward until it rests against the log stop bracket flanges (Figure 8.6).

2. Use a steel or stiff bristle nylon brush to distribute a thick layer of fine rock wool embers across the whole burner and burner port holes.
3. Align the holes in the bottom of logs 2 through 7 with the corresponding studs located on the burners. See Figure 8.6 for burner stud locations
4. Set logs 2 through 7 into position as shown in Figure 8.7.
5. Place the left and right ember panels on their respective sides of log 5, as shown in Figure 8.7. The right ember panel has a flat notch on the side closest to log 5.

**Instructions continue on the following page.**

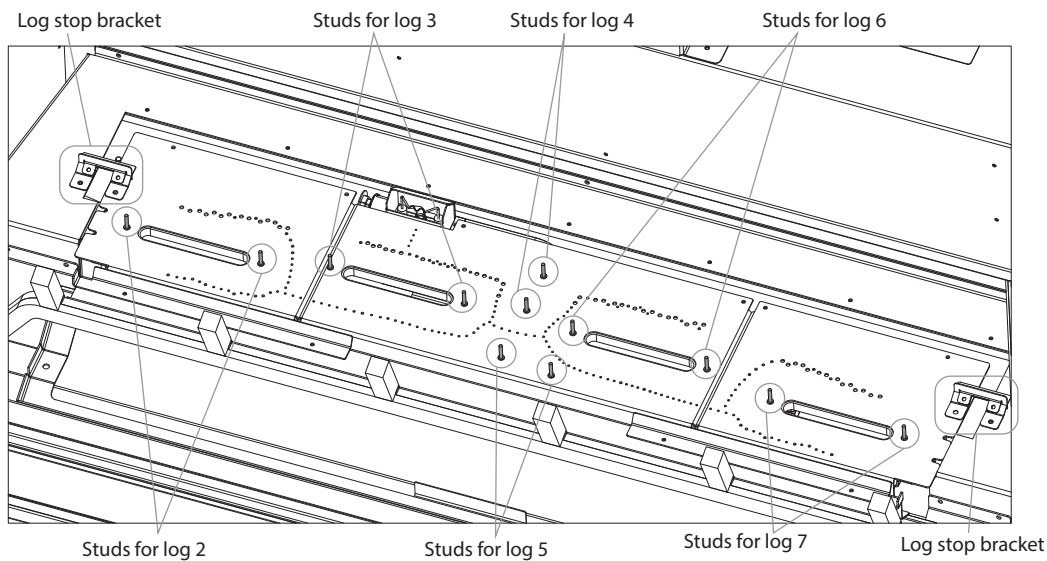


Figure 8.6, Burner Stud Locations and Log Stop Brackets

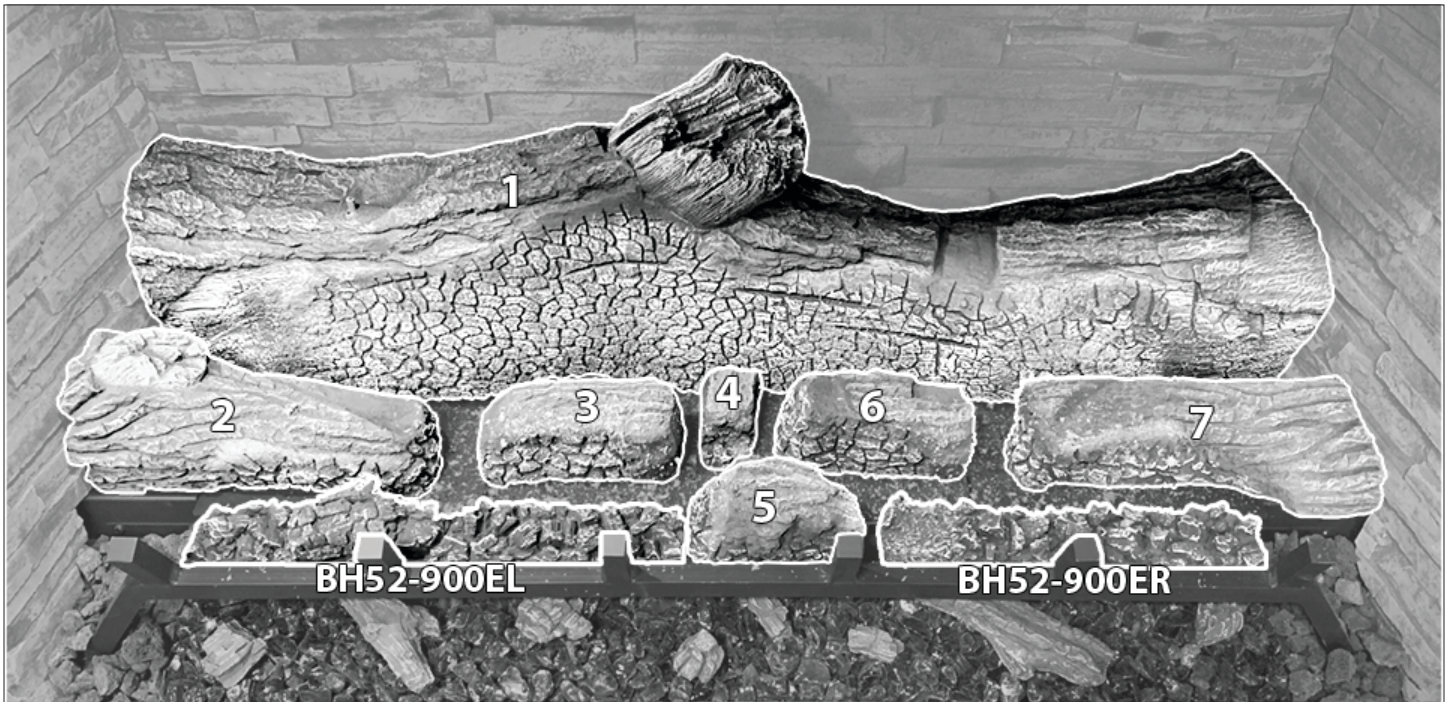


Figure 8.7, Base Logs



Use Figures 8.8, 8.9, and 8.10 together for the following instructions for proper log placement.

Figure 8.11 on page 52 is the completed installation of the #BH52-500 traditional log set. Figure 8.12 on page 52 is the completed installation of the #BH52-B501 birchwood log set.

- Align the hole in the bottom of log 8 with the stud on the left hand side of log 1 and set into position, as shown in Figure 8.10 on the following page.
- Align log 9 with the notches in log 2 and 3 (Figure 8.8). Place as shown in Figure 8.10.

- Align log 10 with the notches on logs 9 and log 6 (Figure 8.9), and place as shown in Figure 8.10.
- Align log 11 with the notch in the middle right of log 1 (Figure 8.8), and place as shown in Figure 8.10.
- Align log 12 with the notch on log 7 (Figure 8.8), as shown in Figure 8.10.
- Align log 13 with the notch on log 1 (Figure 8.8), and place on logs 7 and 1, as shown in Figure 8.10.

**Instructions continue on the following page**

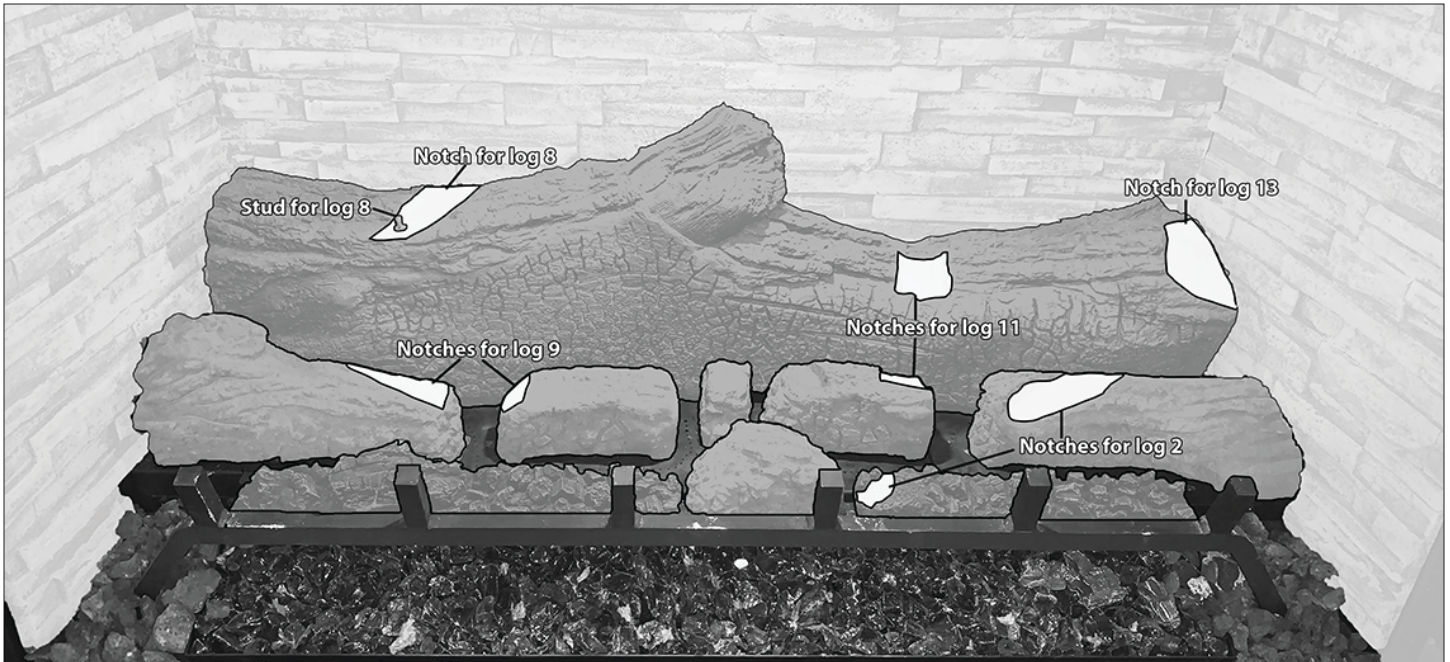


Figure 8.8, Base Log Notches



Figure 8.9, Notches for log 10



12. Place crushed glass media into the ember bed media tray.
13. Place log 14 and log 15 on the ember bed, as shown.
14. Place the (6) charred pieces on top of the ember bed. We show one way to place the pieces, and you may place the pieces at your discretion.
15. Distribute lava rock at the sides on the log support brackets and firebox floor.
16. Use a steel or stiff bristle nylon brush to distribute rock wool embers onto logs and burners.

*See the following page for completed log sets.*

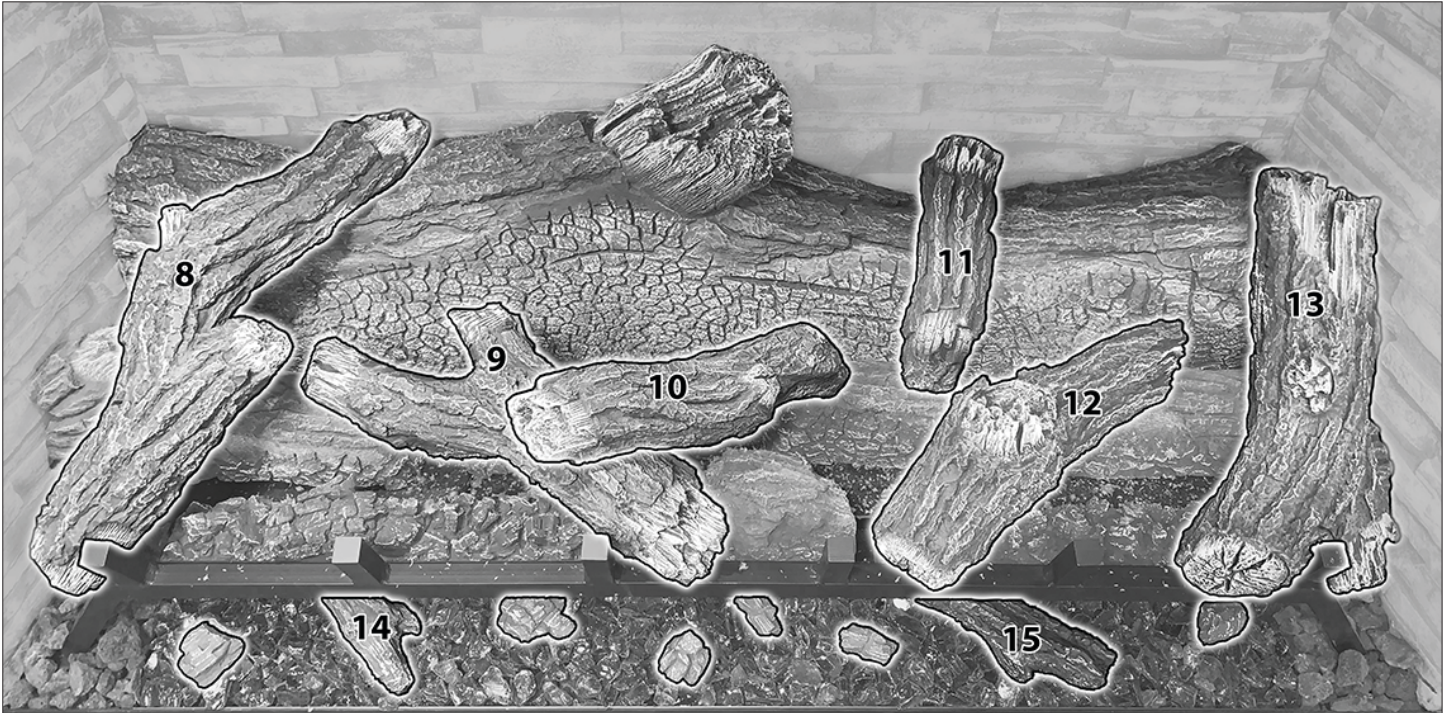


Figure 8.10, Top Logs



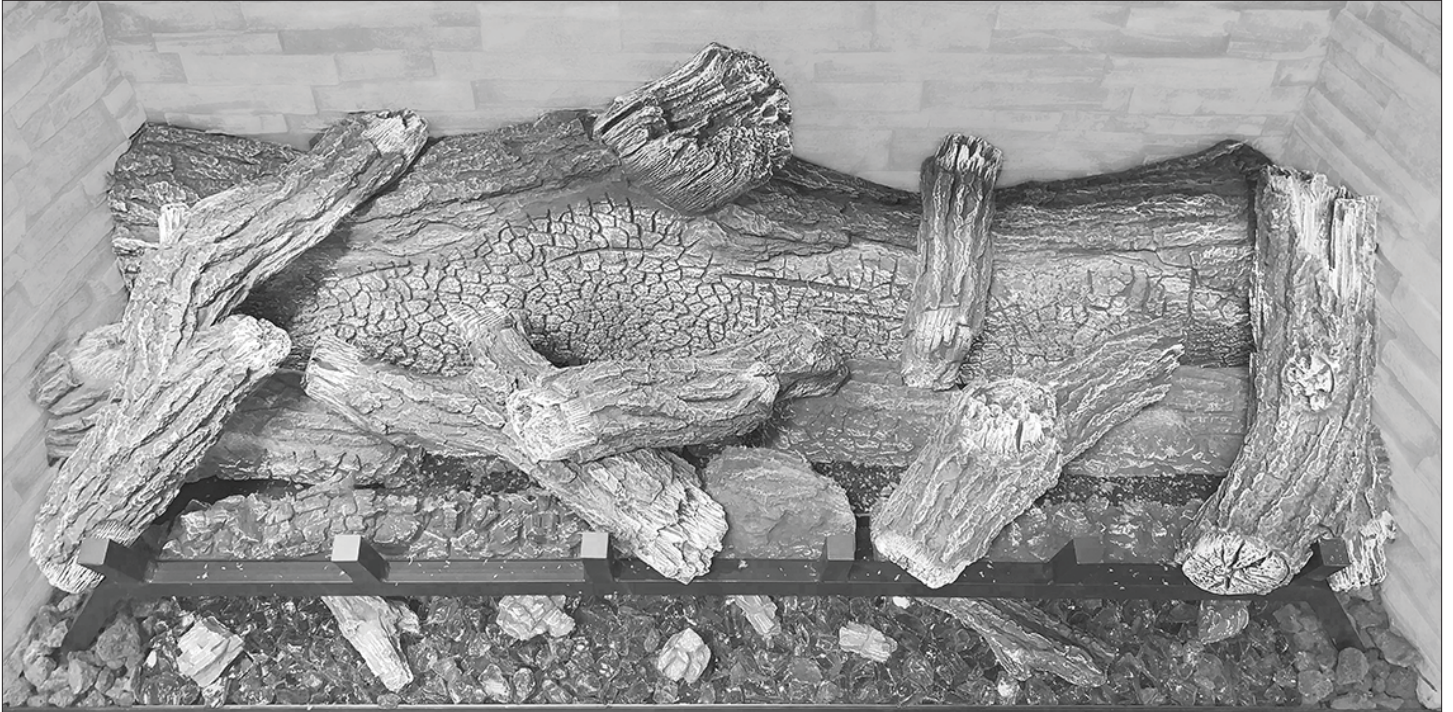


Figure 8.11, Completed Traditional Log Set #BH52-500



Figure 8.12, Completed Birchwood Log Set #BH52-B501



## 8.5 Control Board Access, Removal and Installation

**WARNING:** Avoid burns or personal property damage by using appropriate protection to remove any components if the burner and/or pilot have been burning.

**WARNING:** DO NOT operate this appliance without the sealing gasket in place. If the sealing gasket is damaged, it must be replaced.

**CAUTION:** Check all connections for leaks with soapy water, whether field or factory made.

### 8.5.1 Control Board Access Cover

On the left side of the unit, there is a control board access cover that allows access to the control board without removing components from the firebox.

For access, remove (8) screws securing cover to the outer shell. Reinstall when finished.

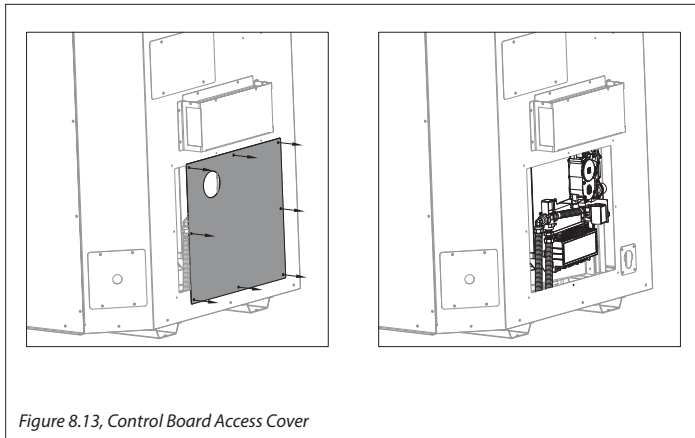


Figure 8.13, Control Board Access Cover

### 8.5.2 Control Board Removal

1. Disconnect electrical power.
2. Locate the manual valve upstream of the appliance connector and close valve.
3. Remove the safety barrier screen and glass frame assembly.
4. Remove log set and lava rock.
5. Remove refractory panel set or black glass panel set. Loosen screws securing the (4) panel clips on the front sides and the back of the fireplace baffle. Remove panels from firebox.
6. Remove media tray.
7. Remove log rack (1) screw on each side.
8. Remove the (2) log stop brackets (2) screws each side.
9. Remove the burner link brackets (4) screws.
10. Remove the side burners secured by (2) screws for each of the side burners. Release the burner tube venturis off of the burner orifices and remove from firebox.

**Instructions continue on the next page.**

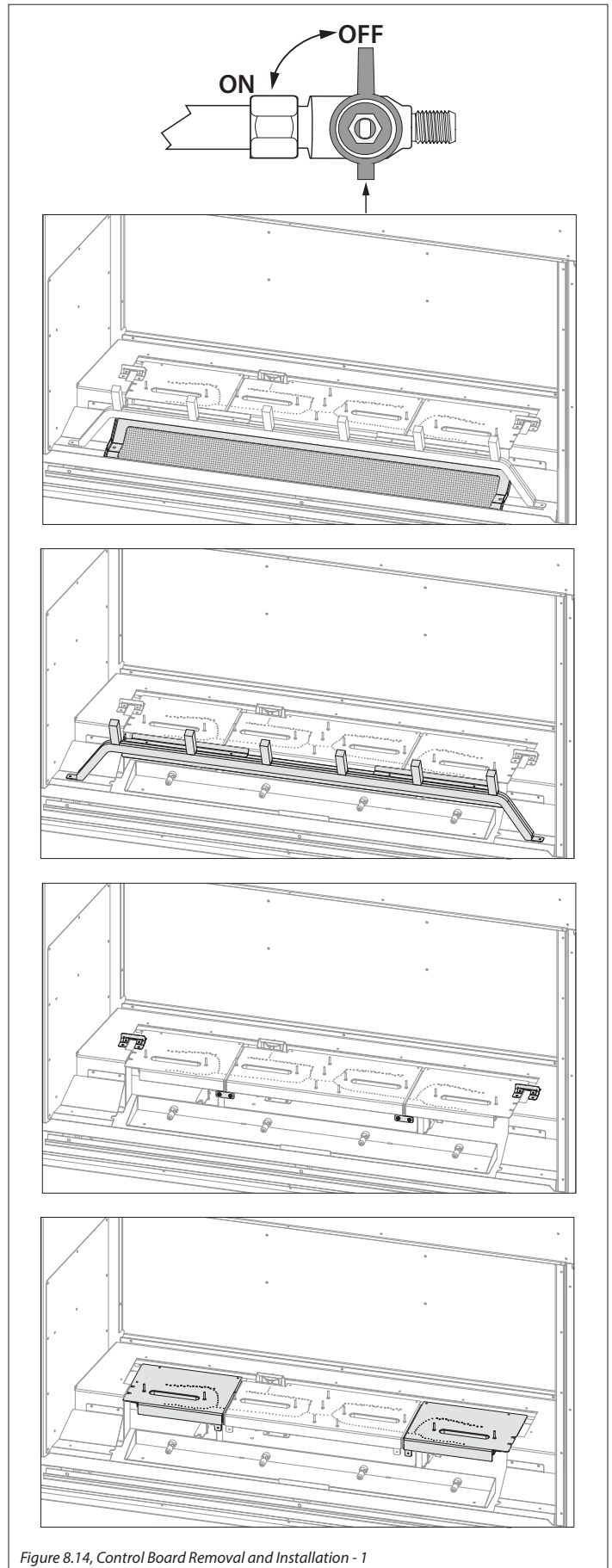


Figure 8.14, Control Board Removal and Installation - 1

11. Remove the center burner (4) screws total. Release the burner tube venturi off of the burner orifice by sliding the burner to the right and remove from firebox.
12. Remove the left and right log support brackets, (2) screws each.
13. Remove the main log support. There are (2) screws on the left and right side, and (3) screws on the firebox back wall.
14. It is recommended to remove (2) of the burner support brackets on the left side of the firebox for easier control board removal. There are (2) screws securing each of the brackets to the firebox floor.
15. Remove and save (10) screws securing the control board.
16. Pull out control board out to reveal the gas line to disconnect the gas line flex tube from fireplace valve, being careful not to damage the sealing gasket.

### 8.5.3 Control Board Installation

Use Figure 8.14 and Figure 8.15 for guidelines to reinstall control board.

1. Place control board on the left side of the firebox and reconnect gas line to fireplace valve. **VERIFY SEALING GASKET IS IN PLACE.**
2. Secure the control board with screws previously removed.
3. Reinstall burner support brackets (if removed).
4. Reinstall the main log support. Align the holes in the main log support with the holes in the firebox back wall, and in left and right sides of the firebox. Secure with screws previously removed.
5. Reinstall the left and right log support brackets. Secure with (4) screws previously removed.
6. Reinstall center burner. Position the burner tube venturi over the center burner orifice and secure with (4) screws previously removed.
7. Reinstall side burners. Position the burner tube venturis over the corresponding left and right burner orifices and secure with (4) screws previously removed.
8. Reinstall burner link brackets (4) screws.
9. Reinstall log stop brackets with (4) screws previously removed.
10. Reinstall log rack (1) screw on each side..
11. Reinstall media tray.
12. Reinstall refractory set or black glass panel set and secure with panel clips previously removed.
13. Reinstall log set and lava rock.
14. Reinstall the glass frame assembly and safety barrier screen.
15. Turn the manual valve counterclockwise to the ON position.
16. Reconnect electrical power.
17. Verify proper log placement, operation of fireplace, and any electrical components.

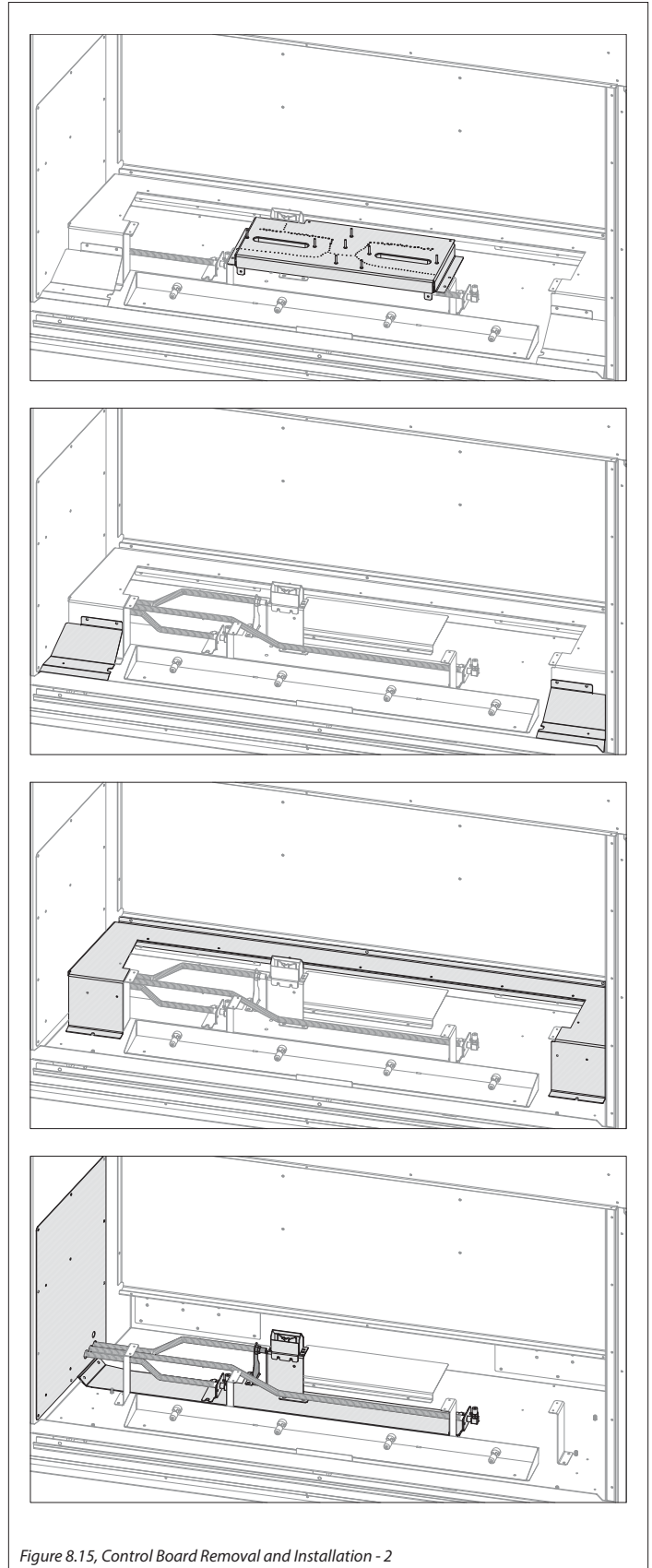


Figure 8.15, Control Board Removal and Installation - 2

# 9.0 ELECTRICAL INFORMATION

**WARNING:** Do not use this fireplace if any part has been under water. Immediately call a qualified service technician to inspect this appliance and to replace any part of the control system and any gas control that has been under water.

**WARNING - Electrical Grounding Instructions:** This appliance is equipped with a three-prong (grounding) plug for your protection against shock hazard and should be plugged directly into a properly grounded three-prong receptacle. Do not cut or remove the grounding prong from this plug.

## 9.1 Electrical Specifications

This appliance, when installed, must be electrically grounded in

accordance with local codes, or in the absence of local codes, with the National Electrical Code, ANSI/NFPA 70, or the Canadian Electrical Code, CSA C22.1.

## 9.2 Wiring Requirements

- The IFC System Module requires 120V of electricity and/or batteries to operate.
- Using the battery back-up will operate the burner only.
- Fan component, top light kit, and auxiliary light kit (ember bed light kit) will not function on battery back up power.

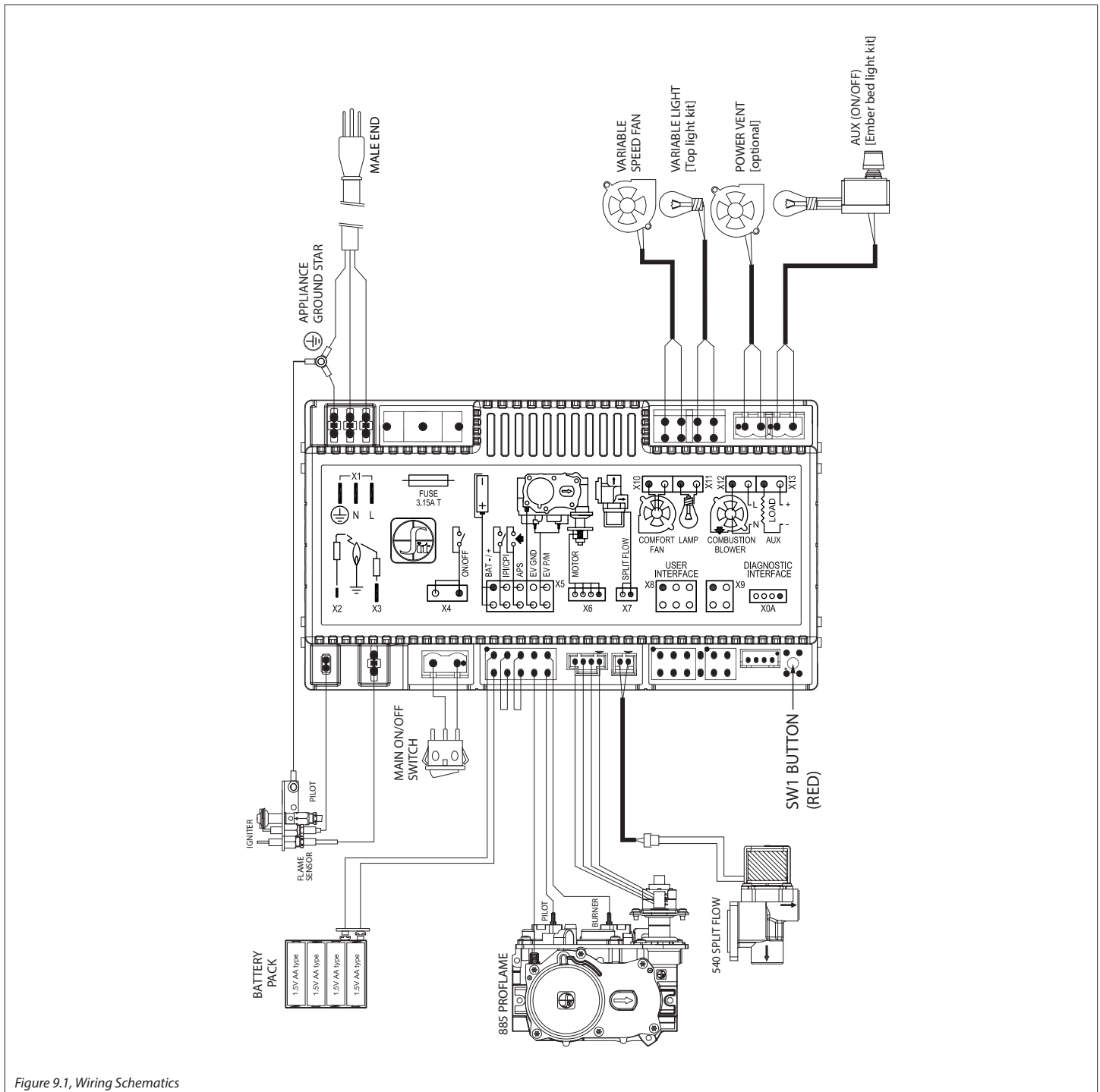
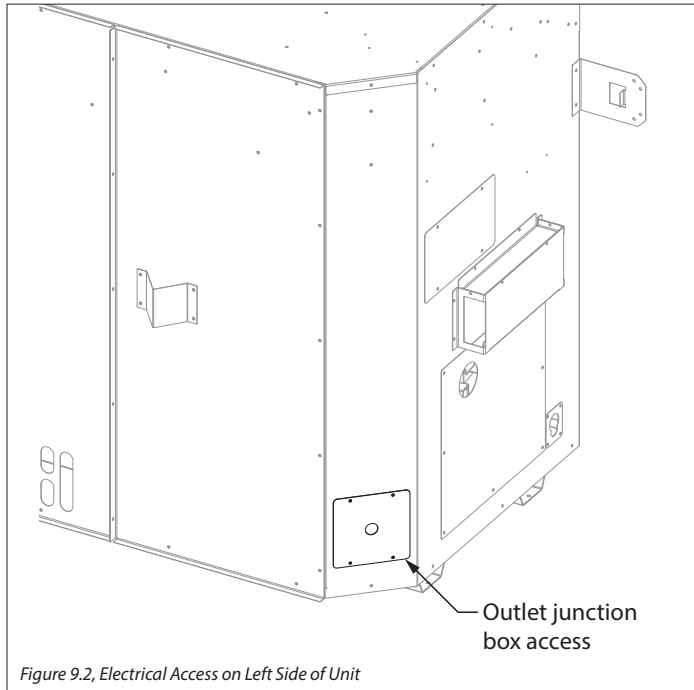


Figure 9.1, Wiring Schematics

## 9.3 Outlet Junction Box

This appliance is equipped with a (4) outlet junction box, located on the left side of the unit. There are outlets for connecting the Kozy Power Vent (see #KPV manual for more information), the ember bed light kit, and the control module.

Remove the (4) screws securing electrical access cover to the firebox outer shell for access to the junction box. Reinstall when finished.



## 9.4 Ember Bed Light Kit (auxiliary)

**CAUTION:** Disconnect all electrical power from the fireplace before performing this task.

**ATTENTION:** If converting to propane, complete the conversion before installing any light kit components. Follow instructions provided with the conversion kit (sold separately).

**NOTE:** To avoid damage and prolong the life of the halogen bulbs, never touch with bare hands. Always use a soft cloth when handling.

### 9.4.1 Install Ember Bed Light Kit

1. Remove the safety barrier screen and glass frame assembly.
2. Remove the media tray.
3. Install (4) halogen bulbs (included in component packet) into lamp bases.
4. Reinstall media tray.
5. Reinstall glass frame assembly and safety barrier.

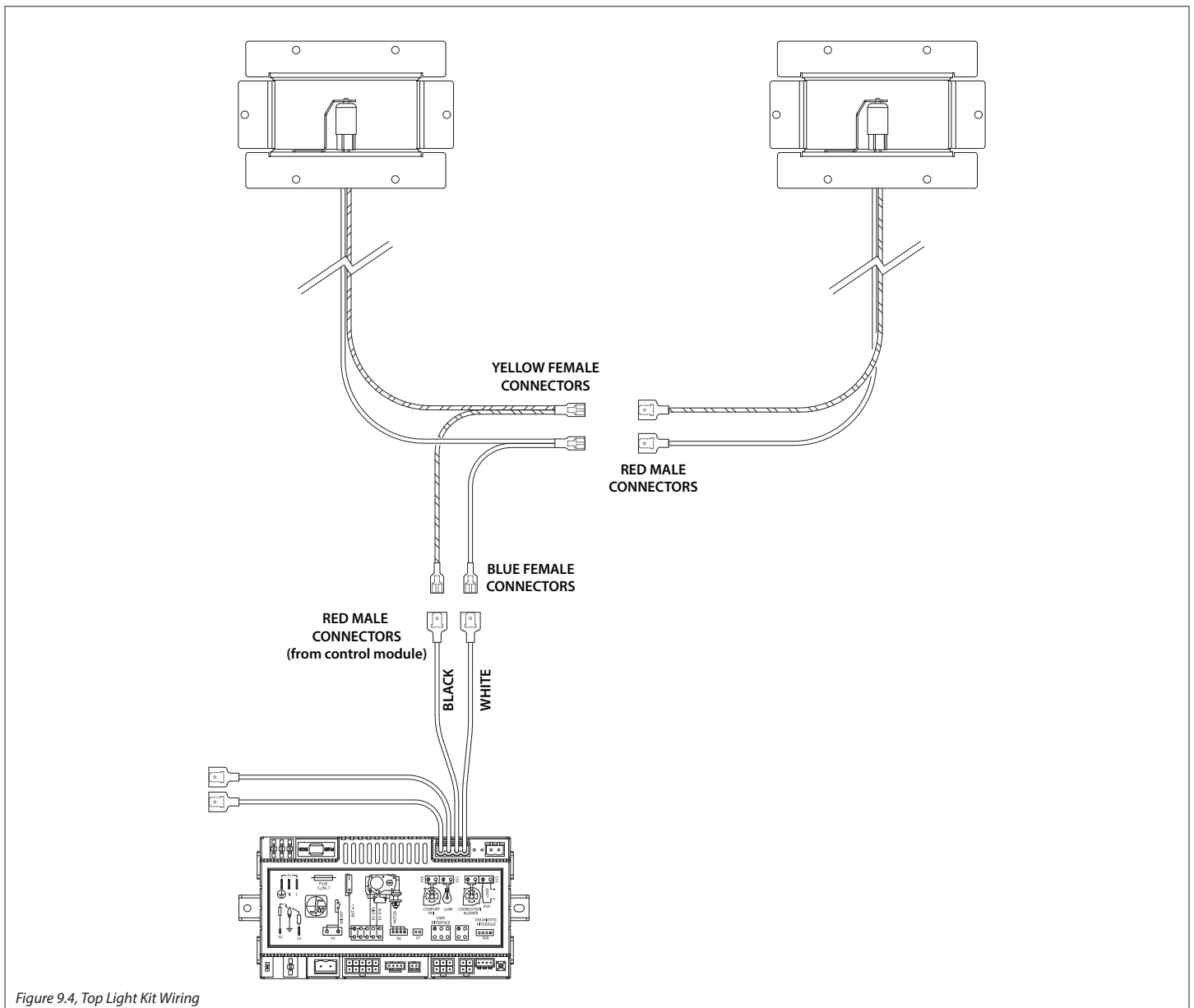
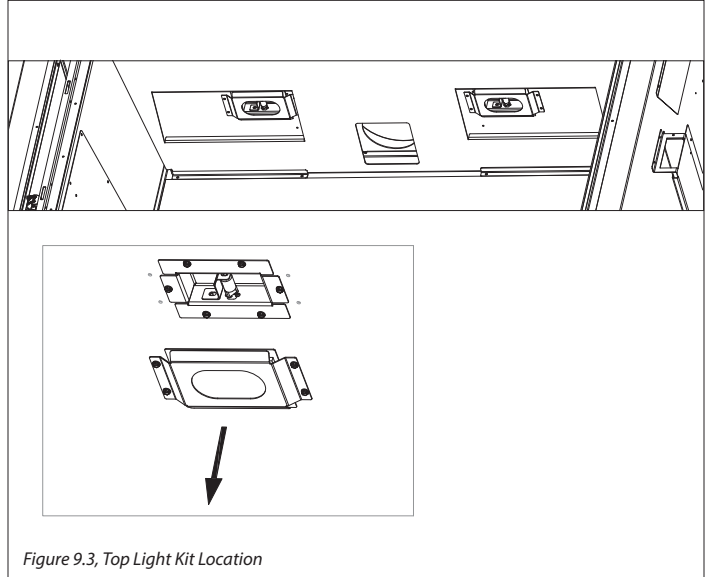
## 9.5 Top Light Kit #600-TLK

**CAUTION:** Disconnect all electrical power from the fireplace before performing this task.

**NOTE:** To avoid damage and prolong the life of the halogen bulbs, never touch with bare hands. Always use a soft cloth when handling.

### 9.5.1 Install Top Light Kit

1. Remove the safety barrier screen and glass frame assembly (if installed).
2. Remove the top light kit covers and its roped glass (8) screws total. Save screws.
3. Install or replace (2) halogen bulbs (included with this kit) into lamp bases.
4. Reinstall top light kit covers and its roped glass with (8) screws previously removed.
5. Reinstall glass frame assembly and safety barrier screen.



# 10.0 OPERATING INSTRUCTIONS

## FOR YOUR SAFETY READ BEFORE OPERATING

**WARNING:** If you do not follow these instructions exactly, a fire or explosion may result causing property damage, personal injury, or loss of life.

- A. This appliance is equipped with an ignition device which automatically lights the pilot. Do not try to light the pilot by hand.
- B. **BEFORE OPERATING** smell around the appliance area for gas. Be sure to smell next to the floor because some gas is heavier than air and will settle on the floor.
- WHAT TO DO IF YOU SMELL GAS
- Do not try to light any appliance.
  - Do not touch any electric switch; do not use any phone in your building.
  - Immediately call your gas supplier from a neighbor's phone.
- C. Follow the gas supplier's instructions.
- If you cannot reach your gas supplier, call the fire department.
- C. Use only your hand to turn the gas control manual valve. Never use tools. If the valve will not turn by hand, do not try to repair it; call a qualified service technician. Force or attempted repair may result in a fire or explosion.
- D. Do not use this appliance if any part has been under water. Immediately call a qualified service technician to inspect the appliance and to replace any part of the control system and any gas control that has been under water.

### WARNING

Do not operate appliance with the glass front removed, cracked, or broken. Replacement of the glass should be done by a licensed or qualified service person.

Under no circumstances should any solid fuel (wood, coal, paper, cardboard, etc.) be used in this appliance.



Children and adults should be alerted to the hazards of high surface temperature and should stay away to avoid burns or clothing ignition.

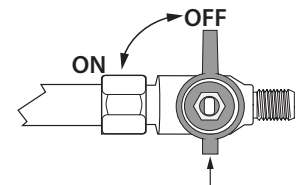
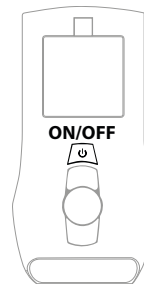
### CAUTION

Clothing or other flammable material should not be placed on or near the appliance.


Young children should be carefully supervised when they are in the same room as the appliance. Toddlers, young children and others may be susceptible to accidental contact burns. A physical barrier is recommended if there are at risk individuals in the house. To restrict access to a fireplace or stove, install an adjustable safety gate to keep toddlers, young children and other at risk individuals out of the room and away from hot surfaces.

## OPERATING INSTRUCTIONS

1. STOP! Read all the safety information above on this page.
2. Press the wireless remote OFF button.
3. Turn off all electric power to the appliance.
4. This appliance is equipped with an ignition device which automatically lights the pilot. Do not try to light the pilot by hand.
5. Locate the manual valve installed by your qualified service technician.
6. Turn the manual valve clockwise  to the OFF position.
7. Wait five (5) minutes to clear out any gas. Then, smell for gas, including near the floor. If you smell gas, STOP! Follow 'B' in the safety information above. If you do not smell gas, go to the next step.
8. Turn the manual valve counterclockwise  to the ON position.
9. Turn on all electric power to the appliance.
10. Press the wireless remote ON button.
11. If the appliance will not operate, follow the instructions, "To Turn Off Gas To Appliance" and call your service technician or gas supplier.



## TO TURN OFF GAS TO APPLIANCE

1. Press the wireless remote OFF button.
2. Turn off all electric power to the appliance if service is to be performed.
3. Locate the manual valve installed by your qualified service technician.
4. Turn the manual valve clockwise  to OFF position.

### NOTE

When this fireplace is initially lit, condensation will appear on the glass. This is normal in all gas fireplaces and will disappear after several minutes. A paint smell will occur during the first few hours of burning. It is recommended to leave the fan off during this period to help speed the paint curing process. This fireplace may produce noises of varying degree as it heats and cools due to metal expansion and contraction. This is normal, and does not affect the performance or longevity of the fireplace.



## 10.1 Setup Proflame 2 IFC Module

1. Set the main ON/OFF rocker switch in the OFF position.
2. Install (4) AA batteries (not included) into backup battery holder on the control module.
3. Install (3) AAA batteries (included in the components packet) in the remote control battery bay, located at the base of the remote.
4. Connect the IFC Module to an AC power supply.

## 10.2 Initialize the Control System

**IMPORTANT:** Remove all packaging and combustible material from the firebox before initializing the control system.

**NOTE:** Performing the next steps will initiate pilot start-up in manual mode, where the pilot igniter will spark repeatedly. The pilot will ignite if gas is supplied to the fireplace.

1. To access the ON/OFF toggle switch and remote learn button on the left side of the unit, remove the safety barrier screen, glass frame assembly, and gas valve access cover plate (see Section 8.2 Gas Valve Access Cover Plate Removal and Installation on page 47).
2. Locate the remote sync button on the control module access switch on the left side of the fireplace. See Figure 10.1 below.
3. Press the remote sync button. The IFC module will BEEP (3) times and illuminate an amber LED. This indicates the receiver is ready to synchronize with the transmitter.
4. Within (5) seconds, push the ON/OFF button on the remote control. The receiver will BEEP (4) times to indicate the transmitter's command is accepted, and is set to the transmitter's particular code. The pilot will automatically ignite.
5. Press the remote control ON/OFF button again. The pilot will extinguish, confirming the remote control command. The control system is now initialized.
6. Set the main ON/OFF toggle switch to ON position for remote control operation of the main burner and fireplace features.
7. Reinstall all components previously removed.

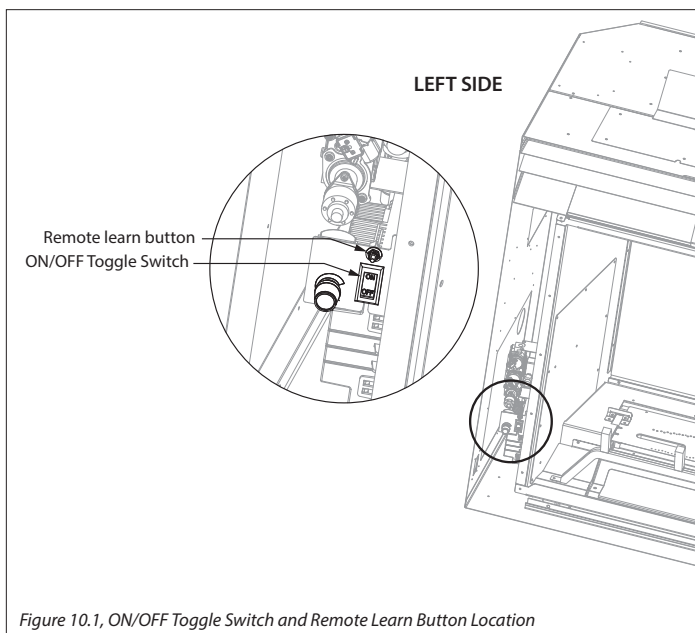


Figure 10.1, ON/OFF Toggle Switch and Remote Learn Button Location

## 10.3 Reset the System for Manual Operation

1. Access the toggle switch and remote learn button on the left side of the unit by removing the safety barrier screen by lifting up and out of its slots.
1. Set the ON/OFF rocker switch to OFF position.
2. Press and hold the remote sync button until it emits (3) beeps and an amber LED is illuminated.
3. Within (5) seconds, press the remote sync button again. This will close synchronization with the remote control. The pilot will automatically light.
- Turn the main burner ON by setting the ON/OFF switch in ON position. The main burner will only operate on HI.
- Turn the main burner OFF by setting the ON/OFF switch in the OFF position. The pilot will remain lit even if burner is turned off, provided CPI mode is turned on.

## 10.4 Automatic Safety Restart

- This system will execute an automatic turn OFF command for approximately (5) seconds within (24) hours of a continued pilot flame ignition to perform a safety check. This allows the system to verify correct safety functions.
- After the turn OFF sequence is completed, the IFC module will re-execute the latest command.

## 10.5 Backup Battery Operation

This appliance will operate on the backup battery pack when electric power is interrupted, or in a power outage. The lifespan of the backup batteries depend on various factors, such as the quality of the batteries, number of ignitions, et cetera.

- When the backup battery pack is low, the IFC module will emit a double-beep while receiving an ON/OFF command.
- No commands will be accepted after this alert until the back up batteries are replaced.
- Once replaced, the IFC module will emit a 'beep' as soon as it is powered.

## 10.6 Control System 7 Day Timeout

- If you have your Proflame 2 system set to CPI (continuous pilot ignition) with **7 consecutive days** without ignition of the main burner, the pilot will turn off. This is a standard safety feature of the SIT Proflame 2 system.
- Once you turn CPI on, the **7 day** timer will start. If at any time during the following **7 days** your main burner ignites, it will reset the timer back to **7 days**.
- See Section 10.9.3 Pilot Ignition Selection (IPI/CPI) on page 61 for more information.

### *How to check if your system is set to CPI:*

The LCD screen will display the snowflake icon.

### *To select the preferred pilot ignition feature,*

1. With the system in the OFF position, press the mode key to index the CPI mode icon.
2. Press the up arrow key to activate CPI.
3. Press the down arrow key to return to IPI. A single 'beep' will confirm reception of the command.

### *To Turn ON the appliance:*

1. With the system in the OFF position, press the remote control ON/OFF key to turn ON the appliance.  
A single 'beep' will emit from the IFC module to confirm reception of the command.

The LCD screen will display all active icons, and the IFC module will start the ignition sequence.

## 10.7 IFC Module Ignition Sequence

The IFC module will try (2) times for ignition, each lasting approximately (60) seconds, with approximately (35) seconds between each attempt.

1. With the system in OFF position, press the remote control ON/OFF key. Approximately (4) seconds after this key is depressed, the IFC module will generate sparks to the pilot hood.
2. First ignition attempt will generate sparks for (60) seconds.
3. If there is no flame ignition (rectification) within the (60) second time frame, the IFC module will stop generating sparks for approximately (35) seconds.
4. After (35) seconds of wait time, the IFC module will generate sparks for another (60) seconds for the second ignition attempt.
5. If there is no positive rectification after (60) seconds, the IFC module will go into a lock out. The red LED will blink (3) times, in intervals, until the system is reset.

### 10.7.1 Reset IFC Module after Lockout

#### 10.7.1.1 ON/OFF Rocker Switch

1. Set the ON/OFF rocker switch to the OFF position.
2. After approximately (2) seconds, move the switch to the ON position. The ignition sequence will start again.

#### 10.7.1.2 Remote Control ON/OFF Key

1. Press the remote control ON/OFF key to turn the system OFF.
2. After approximately (2) seconds, press the ON/OFF key again. The ignition sequence will start again.

#### 10.7.1.3 Cycling Flame

1. Press the remote control down arrow key during flame adjustment mode to reduce the flame to OFF (indicated by OFF displayed on the LCD screen).

2. After approximately (2) seconds, press the up arrow key. The ignition sequence will start again.

## 10.8 Additional Diagnostic Information

### **Low Battery Condition (<4V) Remote Control:**

- Battery Icon will appear on LCD remote control display.
- Replace batteries.

### **Low Battery Condition (<4V) Battery Backup:**

- The red LED Indicator will blink (1) time in intervals.
- A low double-beep emits from the IFC control module when it receives an ON/OFF command from the remote control.
- Replace Batteries.

### **Pilot Flame Error Condition:**

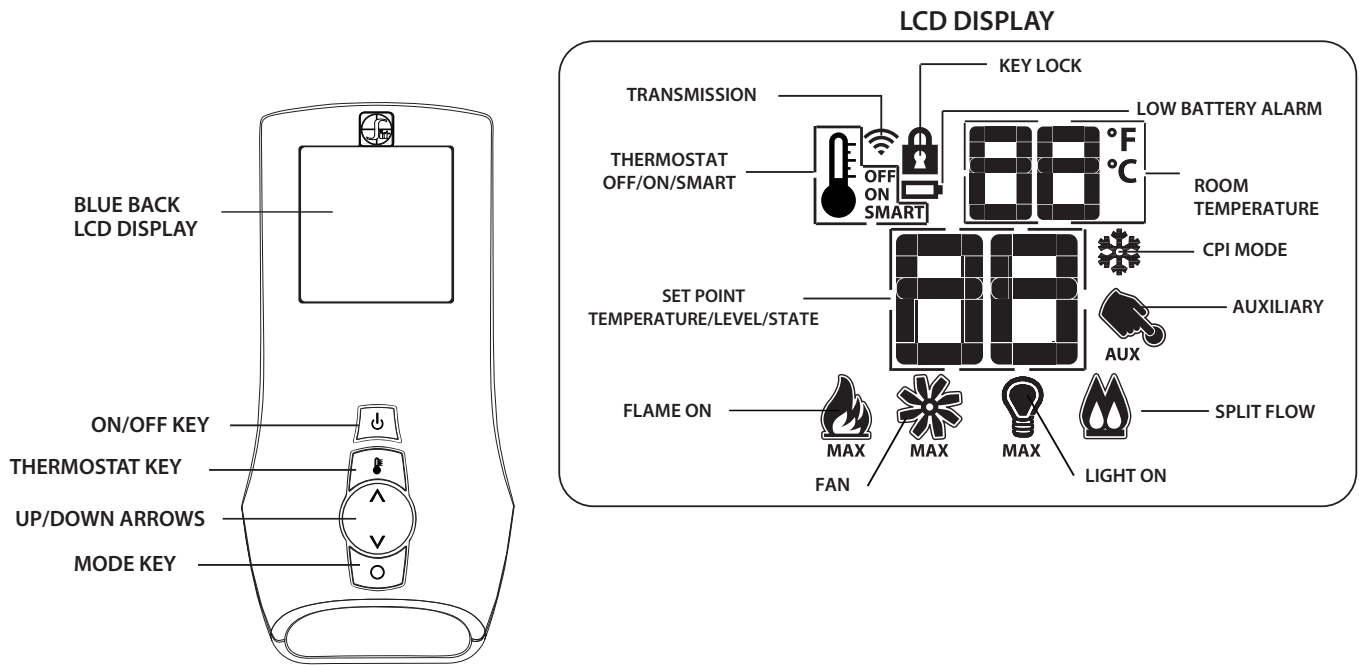
- Red LED Indicator will blink (2) times in intervals. Contact your dealer if this occurs.

### **System Lock Out Condition:**

- Red LED Indicator will blink (3) times in intervals.
- Verify gas is turned on.
- Verify sensor is not shorted.
- Follow Section 10.2 Initialize the Control System on the previous page.



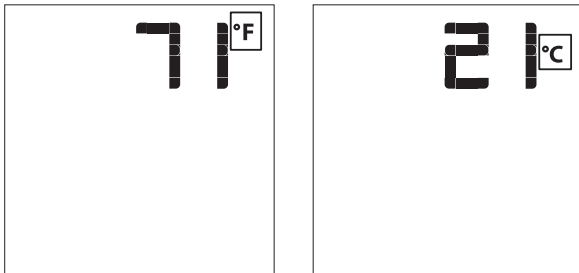
## PROFLAME 2 TRANSMITTER



## 10.9 Remote Control Operation

### 10.9.1 Temperature Display

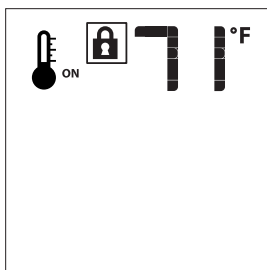
1. With the system in the OFF position, simultaneously press the thermostat key and the mode key to change degrees from °F to °C.
2. Visually check the LCD screen to verify either °F or °C is displayed on the right side of the room temperature display.



### 10.9.2 Key Lock

This function locks the keys to avoid unsupervised operation. Once activated, a lock icon will appear on the LCD screen.

1. Simultaneously press the mode key and the up arrow key to activate or deactivate this function.



### 10.9.3 Pilot Ignition Selection (IPI/CPI)

This system has the option of a continuous (standing) pilot. This feature allows the system to change from a spark-to-pilot system to the standing pilot option. The standing pilot will keep the firebox warm and establish a draft in the vent, which allows the main burner to ignite with less air-flow disruption.

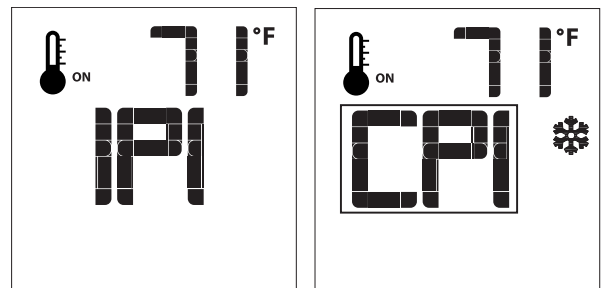
When the system is OFF, the LCD screen will display the snowflake icon during the setup of either IPI or CPI mode. To select the preferred pilot ignition feature,

1. With the system in the OFF position, press the mode key to index the CPI mode icon.
2. Press the up arrow key to activate CPI.
3. Press the down arrow key to return to IPI. A single 'beep' will confirm reception of the command.

When the system is ON,

**IPI mode:** LCD screen will not display the snowflake icon

**CPI mode:** LCD screen will display the snowflake icon



### 10.9.4 Turn ON the Appliance

1. With the system in the OFF position, press the remote control ON/OFF key to turn ON the appliance.  
A single 'beep' will emit from the IFC module to confirm reception of the command.

The LCD screen will display all active icons, and the IFC module will start the ignition sequence.

### 10.9.5 Turn OFF the appliance

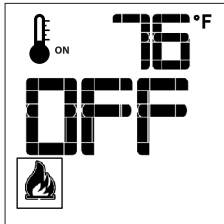
1. With the system in the OFF position, press the remote control ON/OFF key to turn ON the appliance.  
A single 'beep' will emit from the IFC module to confirm reception of the command.

The LCD screen will only display the room temperature and its icon, and the IFC module will turn off the main burner.

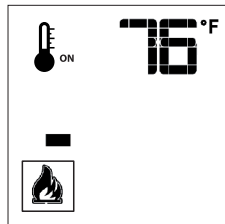
### 10.9.6 Remote Control Flame Adjustment

This control system has (6) flame levels. If the smart thermostat operation is activated, then the manual adjustment of the flame will be disabled.

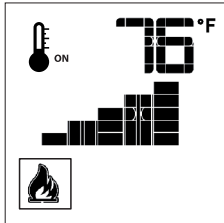
1. Verify the system is in the ON position and the flame level is set at maximum.
2. Press the down arrow key once to reduce flame height by one level until the flame is turned off.
3. Press the up arrow key once to increase flame height by one step. If the up arrow key is pressed while the system is on, but the flame is off, the flame will ignite on HI.
4. A single 'beep' will confirm reception of the command.



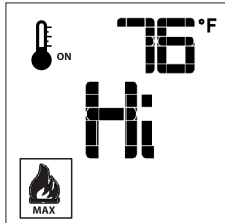
Flame Off



Flame Level 1



Flame Level 5



Flame Level Maximum

### 10.9.6.1 Deactivate Flame Modulation

1. Verify all (3) AAA batteries are installed in the remote control battery bay.
2. Remove (1) AAA battery.
3. Press and hold the on/off key and the mode key at the same time.
4. Reinsert (1) AAA battery.
5. While still holding the on/off key, let go of **ONLY** the mode key.
6. Index over to the flame graphic on the LCD screen to edit. Use the up or down arrow key to choose 'ON' or 'OFF'.

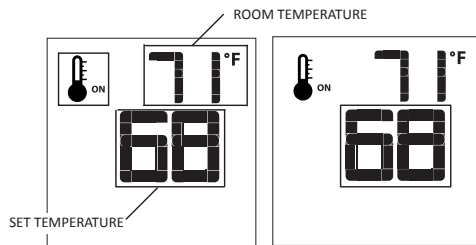


## 10.9.7 Remote Control Thermostat Operation

### 10.9.7.1 Room Thermostat

The remote control can operate as a room thermostat. The thermostat can be set to a desired temperature to control a room's comfort level. To activate this function,

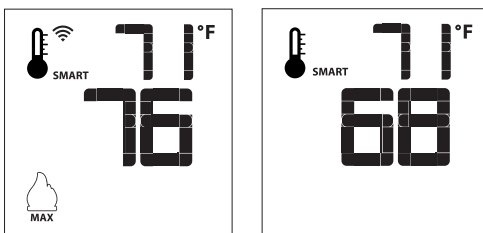
1. Press the thermostat key. The LCD screen will display a temperature bulb graphic, the room temperature and set temperature.
2. To adjust the set temperature, press the up or down arrow keys until the desired temperature is displayed on the LCD screen.



### 10.9.7.2 Smart Thermostat

The smart thermostat function will adjust the flame height based on the set temperature and the actual room temperature. The smart thermostat function automatically adjusts the flame down when the room temperature reaches the set point. To activate this function,

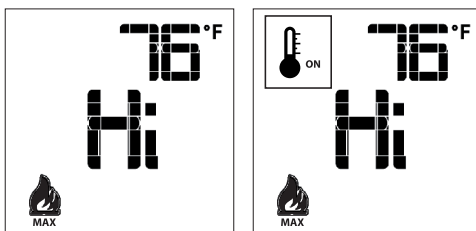
1. Press the thermostat key until the 'SMART' appears on LCD screen on the right side of the temperature bulb graphic.
2. To adjust the set temperature, press the up or down arrow keys until the desired temperature is displayed on the LCD screen.



### 10.9.7.3 Deactivate Remote Control Thermostat Operation

The thermostat operation function can be deactivated. The remote control will still operate the main burner on and off, and function flame, fan, and light modulation. To deactivate this function,

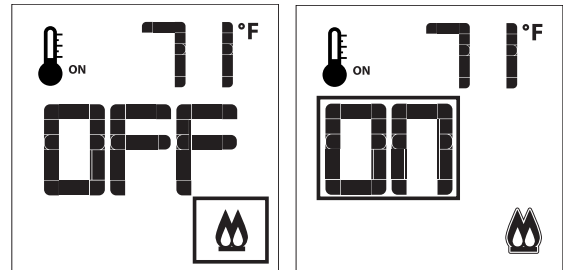
1. Verify all (3) AAA batteries are installed in the remote control.
  2. Remove (1) AAA battery.
  3. While reinserting the battery, push and hold the thermostat key. The temperature bulb graphic will not be displayed on the LCD screen.
- To reactivate remote thermostat operation, follow the same key sequence procedure above. The temperature bulb graphic will reappear on the LCD screen.



## 10.9.8 Split Flow Control

The secondary burner is controlled by the split flow. To activate this function,

4. Press the mode key to index to the split flow mode icon.
5. Press the up arrow key to activate the secondary burner.
6. Press the down arrow key to turn the secondary burner off. A single 'beep' will confirm the reception of the command.



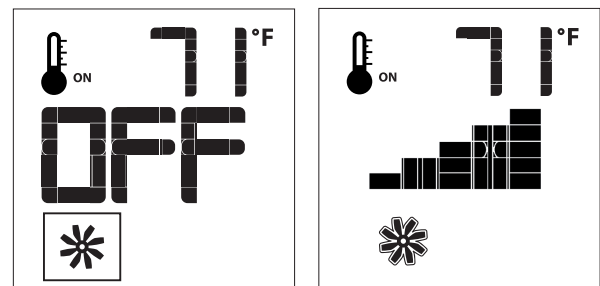
## 10.9.9 Fan Speed Control

Fan speed can be adjusted through (6) speeds. To activate this function,

1. Press the mode key to index to the fan control icon.
2. Press the up or down arrow keys to turn on, off, or to adjust fan speed.

**Thermostat mode:** Fan(s) have a (5) minute delay time when the fireplace is let. This allows time for heat to build in fireplace before fan operation. The fan will continue to operate for approximately (12) minutes after the fireplace has been turned off.

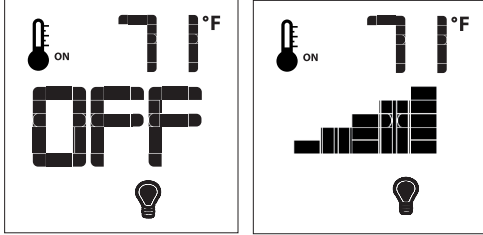
**Manual mode:** Fan(s) will operate at previous setting. There is no delay in start up or stop time.



### 10.9.10 Top Accent Light Kit

The top light intensity can be adjusted through (6) levels.

1. Press the mode key to index to the light icon.
2. Press the up or down arrow keys to adjust the intensity level.
3. A single 'beep' will confirm reception of the command.



#### 10.9.10.1 Deactivate Light Kit Modulation

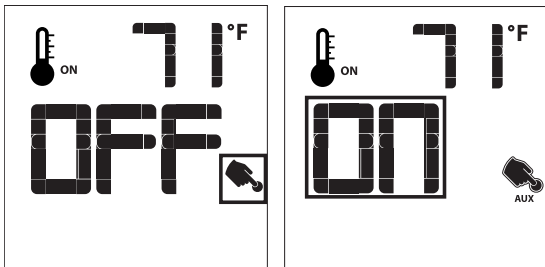
1. Verify all (3) AAA batteries are installed in the remote control battery bay.
2. Remove (1) AAA battery.
3. Press and hold the on/off key and the mode key at the same time.
4. Reinsert (1) AAA battery.
5. While still holding the on/off key, let go of **ONLY** the mode key.
6. Index over to the bulb graphic on the LCD screen to edit. Use the up or down arrow key to choose 'SET' or 'CLR'.



### 10.9.11 Ember Bed Light Kit (auxiliary)

The auxiliary function controls ON/OFF function of the ember bed light kit. To activate this function,

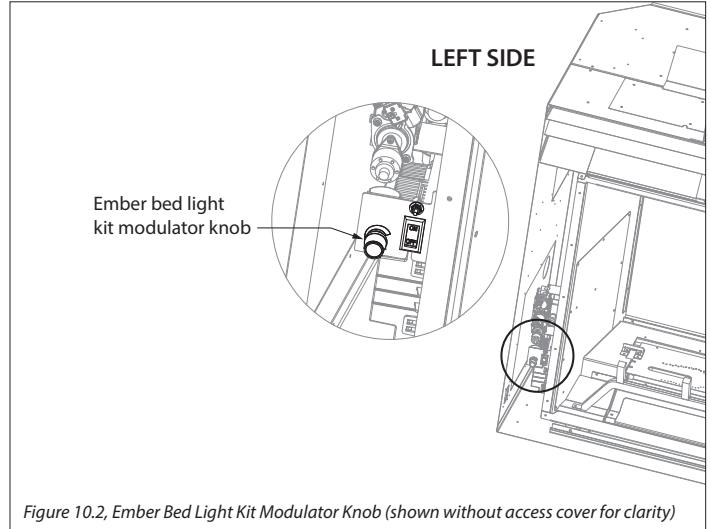
1. Press the mode key to index to the AUX icon.
2. Press the up arrow key to turn the ember bed light kit ON.
3. Press the down arrow key to turn the ember bed light kit OFF.
4. A single 'beep' will confirm reception of the command.



### 10.9.11.1 Adjust Ember Bed Light Kit Intensity

The ember bed light kit intensity can be adjusted by using the ember bed light kit modulator knob located on the left side of the firebox. To adjust,

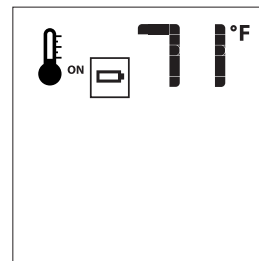
1. Remove the safety barrier screen and gas valve access cover for access to the ember bed light kit modulator knob.
2. Turn the knob counterclockwise to decrease the light intensity.
3. Turn the knob clockwise to increase the light intensity.
4. Reinstall safety barrier screen when finished. Raise the safety screen front slightly into slots and allow tabs to lower into position.



### 10.9.12 Remote Control Low Battery Detection

Remote control battery lifespan depends on various factors including battery quality, number of ignitions, changes to room thermostat set point, etcetera.

- When the remote control batteries are low, a battery icon will appear on the LCD display before all battery power is lost.
- When the batteries are replaced, this icon will disappear.



# 11.0 ADJUSTMENT

## 11.1 Pressure Testing

**NOTE:** The appliance and its appliance main gas valve must be disconnected from the gas supply piping system during any pressure testing of the system at test pressures in excess of ½ psi (3.5 kPa).

**IMPORTANT:** Pressure check taps for manifold (outgoing) and inlet (incoming) pressure have been incorporated into the valve. The pressure tap marked OUT measures outgoing pressure. The pressure tap marked IN measures incoming pressure.

### 11.1.1 Inlet Pressure Test

**NOTE:** Make sure to apply these incoming pressure test with all other gas appliances on, or at full capacity, in the house for proper pressure reading.

**IMPORTANT:** If the inlet pressure reading is too high or too low, contact the gas company. Only a qualified gas service technician should adjust incoming gas pressure.

1. Loosen the inlet (IN) pressure tap by turning screw counter-clockwise. See (A) in Figure 11.1.
2. Attach manometer using a ¼" (6mm) I.D. hose.
3. Light pilot and burner. Check pressure to ensure it is between the minimum and maximum recommended pressure settings.
4. Turn off burner and pilot.
5. Disconnect hose and tighten the inlet (IN) pressure tap by turning screw clockwise. Screw should be snug. Do not over tighten.
6. Relight pilot and burner. Then reattach manometer to the inlet pressure tap (A) to verify the tap is completely sealed. Manometer should read no pressure.

### 11.1.2 Manifold Pressure Test

1. Light pilot.
2. Loosen manifold (OUT) pressure tap by turning screw counter-clockwise. See (B) in Figure 11.1.
3. Attach manometer to pressure tap using a ¼" (6mm) I.D. hose.
4. Light burner. Check manometer reading.
5. Turn burner and pilot off.
6. Disconnect manometer hose and tighten the manifold (OUT) pressure tap by turning screw clockwise. Screw should be snug. Do not over tighten.
7. Attach the manometer to the manifold pressure tap (B) to verify it is completely sealed. The manometer should read no pressure when pilot and burner are on.

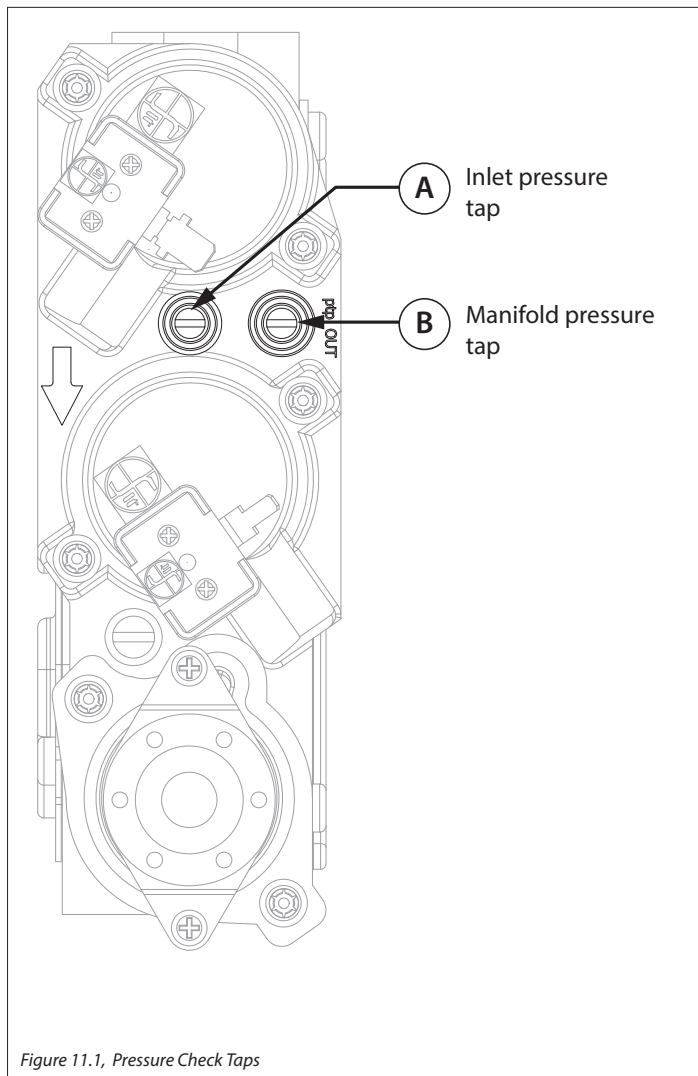


Figure 11.1, Pressure Check Taps

Fuel	Natural Gas	Propane
Gas Supply	Min - Max	Min - Max
Inlet Pressure Tap (A)	5" - 10.5" WC (1.25 - 2.62 kPa)	12" - 13" WC (2.99 - 3.24 kPa)

Fuel	Natural Gas	Propane
Gas Supply	Low - High	Low - High
Manifold Pressure Tap (B)	1.1" - 3.8" WC (0.27 - 0.95 kPa)	2.9" - 11" WC (0.72 - 2.74 kPa)

## 11.2 Burner Flame Adjustments

**WARNING:** To avoid property damage or personal injury, allow the fireplace ample time to cool before making any adjustments.

Burner flame appearance and characteristics are affected by altitude, fuel quality, venting configuration, and other factors. After installation, this appliance may need additional adjustments to achieve optimum flame appearance and visual aesthetics.

### 11.2.1 Burner Venturi

**WARNING:** VENTURI ADJUSTMENT MUST BE DONE BY A QUALIFIED SERVICE TECHNICIAN.

**NOTE:** Burner venturi air shutter settings have been factory set. Refer to Table 11.3.

When this appliance is first lit, the burner flames will appear blue. During the first 15 minutes of operation, flame appearance will gradually turn to the desired yellow appearance. If the flames remain blue, or become dark orange with evidence of sooting (black tips), adjustment of the air shutter opening may be necessary.

Regardless of venturi orientation, closing the air shutter will achieve a desired yellow flame, but may produce soot on the glass. Opening the air shutter will cause a short, blue flame that may lift off the burner.

Fuel	Center Burner Venturi	Side Burner Venturi
Natural Gas	1/4" (6.35mm)	1/8" (3.175mm)
Propane	1/2" (12.7mm)	1/4" (6.35mm)

#### 11.2.1.1 Venturi Adjustment

**NOTE:** If soot is present on the logs, check log placement (section 8.4, pg. 49) before adjusting the venturi.

1. Remove the safety barrier screen and glass frame assembly.
2. Remove log set, lava rock, and ember bed media tray.
3. Remove refractory panel set or black glass panel set.
4. Remove the log stop brackets and burner link brackets.
5. Remove the side burners and center burners
6. Release the burner tube venturis off the burner orifices.
7. Loosen screw on venturi and adjust as necessary. Re-tighten screw.
8. Reinstall all components previously removed.

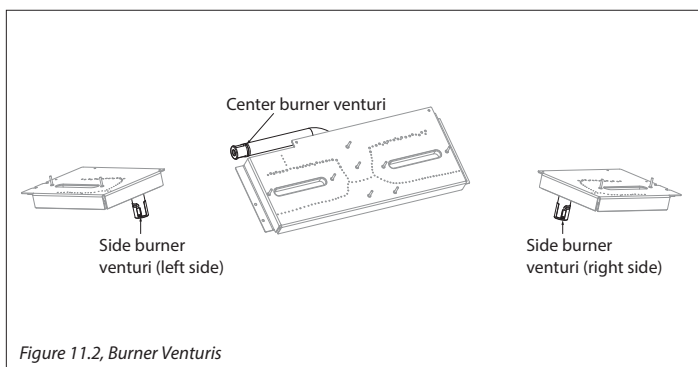


Figure 11.2, Burner Venturis

**IMPORTANT:** Slight adjustments to the venturi opening will create dramatic results. Adjust at slight increments until desired look is achieved. Always burn the fireplace for at least 15 minutes, and allow the appliance ample time to cool before making any further adjustments.

Flame Characteristic	Cause	Solution
Dark, orange flame with black tips	Venturi closed too far	Open venturi slightly
Short, blue flames	Venturi open too far	Close setting slightly
Lifting (ghosting) flames	Gas pressure too high Venturi closed too far	Check manometer settings Open venturi setting slightly

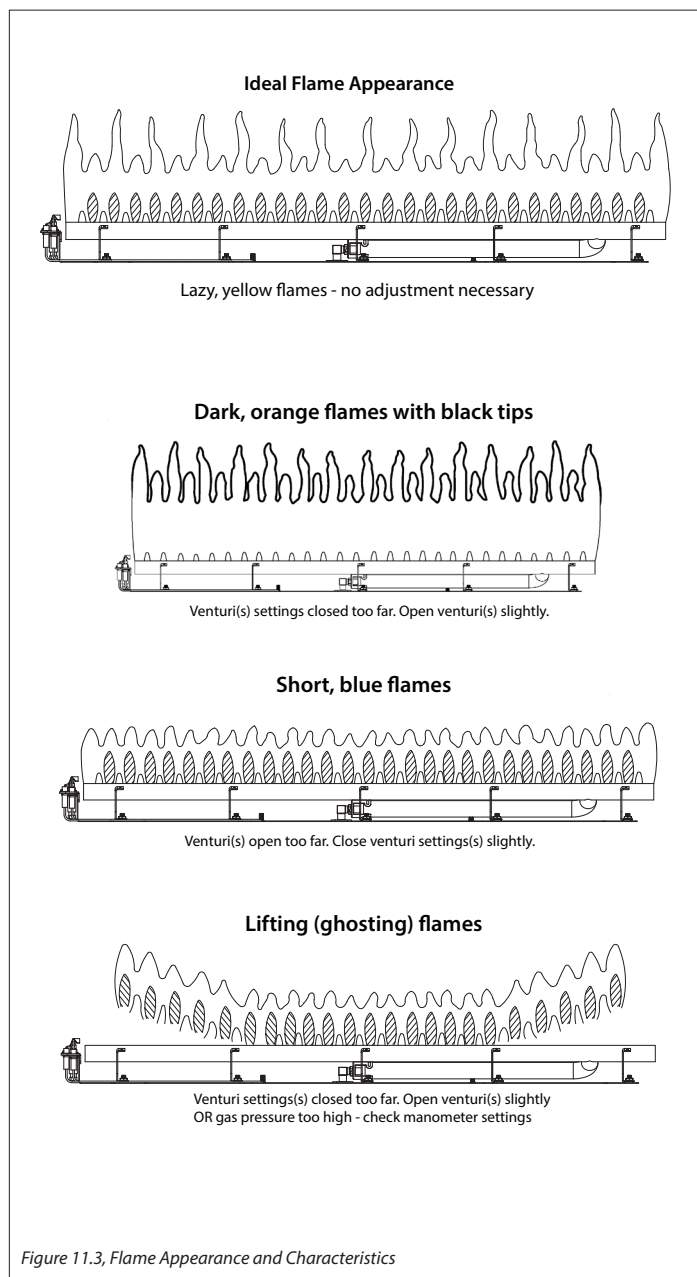


Figure 11.3, Flame Appearance and Characteristics



## 11.2.2 Vent Restriction (after installation)

**WARNING:** To avoid property damage or personal injury, allow the fireplace ample time to cool before making any adjustments.

**WARNING:** Improper vent installation may cause the burner flames to lift or “ghost.” Perform a visual check on flame appearance after restriction adjustment to ensure proper performance.

Vertical terminations may display an active, compact flame. If this appearance is not desirable, a restrictor plate may need to be installed or modified after vent termination installation. Access to the vent exit for restriction can be reached through the fireplace baffle. Allow the fireplace to burn for 15 minutes before making any adjustments.

**Table 11.5, Restrictor Plate Adjustment Guidelines**

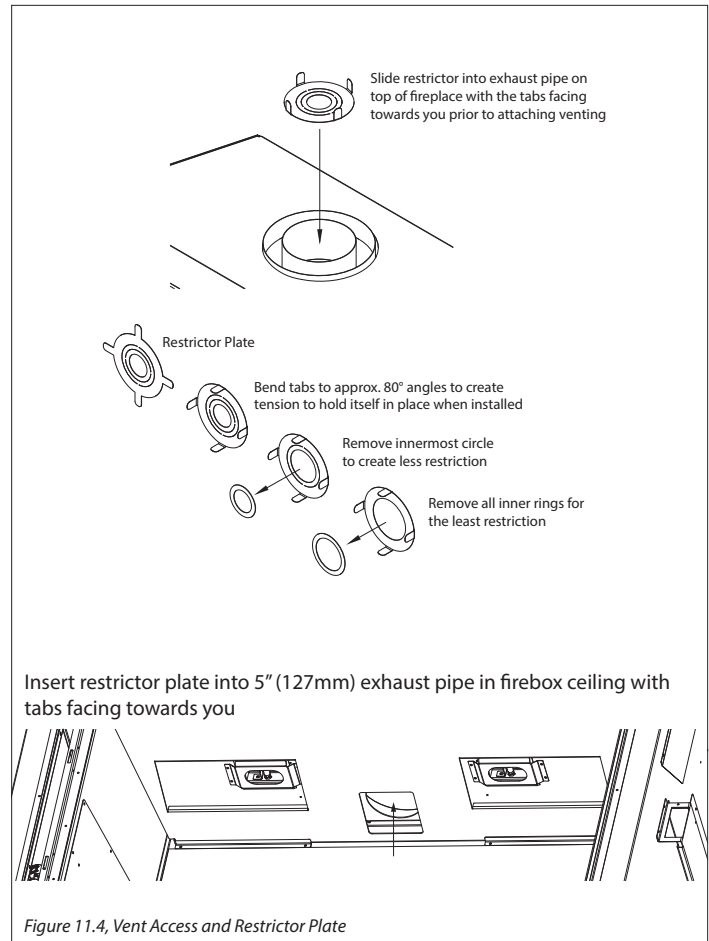
Flame Appearance	Draft Problem	Solution
Short, flickering	Excessive draft Not enough restriction	Add restrictor plate
Lifting or ghosting*	Insufficient draft	Remove inner ring(s) on restrictor plate, or; remove restrictor plate
*If flames continue to lift or ghost after opening the restrictor plate and verifying correct vent installation, shut off the gas supply and call a qualified service technician.		

### 11.2.2.1 Restrictor Plate Installation

1. Remove the safety barrier and the glass frame assembly.
2. Locate the 5" (127mm) exhaust pipe in the firebox ceiling.
3. Bend the tabs on the restrictor plate (included in components packet) to approximately 80° angles. This will create tension when the restrictor plate is inserted into the exhaust pipe.
4. Insert restrictor plate into the 5" (127mm) exhaust pipe with the tabs pointing towards you.
5. Reinstall all components previously removed.

### 11.2.2.2 Restrictor Plate Modification

1. Remove the safety barrier and the glass frame assembly.
2. Remove the restrictor plate by pulling it down and out of the 5" (127mm) exhaust pipe. Make necessary modifications to achieve desired flame appearance.
3. Insert restrictor plate into the 5" (127mm) exhaust pipe with the tabs pointing towards you.
4. Reinstall all components previously removed.



## 12.0 TROUBLESHOOTING

**ATTENTION:** Troubleshooting must be performed by a qualified technician.

Before proceeding with the steps in the following troubleshooting guide,

- Verify proper 120VAC power supply to the control module.
- Verify the control module battery pack and the remote control batteries are fresh and installed with correct polarity.
- Verify all connections between the wire harnesses and the system components are proper and positive.
- Verify the communication link is established between the remote control and the IFC module.
- Verify inlet pressure meets the recommended inlet pressure. If necessary, adjust line pressure regulator.

Issue	Cause	Solution
<b>Pilot will not light</b>	Electrical power interrupted or disconnected	Restore electrical power to appliance or use battery back-up.
	Wiring disconnection	Ensure batteries are fully charged if using battery back-up as power source. Use wiring schematic in this manual to determine that all wiring connections are secure and correct.
	Gas supply turned off	Check remote shut-off valves from the appliance. Usually there is a valve near the main gas line. There may be more than (1) valve between the appliance and main gas line.
<b>Pilot will not stay lit</b>	No propane in tank	Check propane tank. Refill if necessary.
	Low gas pressure	Consult a plumber or a gas supplier. Can be caused by situations such as a bent line, too narrow diameter or pipe, or a low line pressure.
	Pilot flame not making contact with the flame rectification sensor on the pilot assembly	Verify the pilot flame envelopes the top of the flame sensor and extends far enough onto burner for ignition. To adjust pilot flame, turn pilot adjustment screw on the gas valve clockwise to decrease flame, and counterclockwise to increase flame.
	Pilot adjustment screw not sealed	Seal pilot adjustment screw. Do not over-tighten.
<b>Pilot flame always on, or will not extinguish</b>	Control system set to CPI mode	Set control system to IPI mode.
<b>Main burner flame will not light</b>	ON/OFF rocker switch in OFF position	Switch rocker switch to ON position.
	Gas supply turned off	Check for multiple shut-offs in the supply line. Verify gas supply is turned on.
	Low gas supply	Consult with plumber or gas supplier. Check propane tank. Refill if necessary.
	Wiring disconnection or improper wiring	Check for faulty or incorrect wiring. Refer to Section 9.0 Electrical Information on page 55.
	Plugged main burner orifice	Remove blockage.
	Pilot flame	Verify the pilot flame is properly directed to ignite burner. See pilot flame troubleshooting above.
	Remote control not working properly	Replace batteries.
	No call for heat	Verify remote control is powered ON and thermostat operation is turned OFF.



Issue	Cause	Solution
<b>Pilot and burner extinguish while in operation</b>	No propane in tank	Check propane tank. Refill if necessary.
	Incorrect glass assembly installation	Refer to Section 8.1 Glass Frame Assembly on page 47.
	Incorrect vent cap installation	Adjust if necessary.
	Vent cap blockage	Remove debris if necessary.
	Improper pitch on horizontal venting	¼" (6mm) rise per foot (30cm) is required on horizontal venting
	Exhaust vent pipe leaking exhaust gases back into firebox	Check for leaks and repair if necessary.
	Excessive draft	A restrictor may need to be installed or modified. Refer to Section 11.2.2 Vent Restriction (after installation) on page 67.
<b>Soot appears on glass</b>	Improper log placement	Refer to Section 8.4 #BH52-500 & #BH52-B501 Log Set Installation on page 49.
	Improper venturi setting	Venturi air shutter may need to be opened slightly to allow more air into the gas mix. Refer to Section 11.2.1 Burner Venturi on page 66.
	Incorrect vent cap installation	Adjust if necessary.
	Vent cap blockage	Remove debris if necessary.
<b>Flame burns blue and lifts off burner</b>	Improper venturi setting	Venturi air shutter may need to be opened slightly to allow more air into the gas mix. Refer to Section 11.2.1 Burner Venturi on page 66.
	Incorrect vent cap installation	Adjust if necessary.
	Blockage or leakage of the vent system	Check the vent pipes for leaks, and the vent cap for debris. Repair the vent pipes or remove debris from vent cap, if necessary.
<b>No reaction to command</b>	Battery back batteries or remote control batteries low	Replace batteries.
	No communication between remote control and IFC module	Reprogram remote control to IFC module. Refer to Section 10.2 Initialize the Control System on page 59.
	A maximum number of failed ignitions or flame restorations has been reached	Reset IFC module. Refer to Section 10.7 IFC Module Ignition Sequence on page 60.

## 13.0 MAINTENANCE

**ATTENTION:** Installation and repair should only be done by a qualified service person. The appliance should be inspected before use and at least annually by a professional service person. More frequent cleaning might be required due to excessive lint from carpeting, bedding material, et cetera. It is imperative that control compartments, burners, and circulating air passageways of the appliance be kept clean. Use a vacuum to clean all components.

**WARNING:** The appliance area must be kept clear and free from combustible materials, gasoline and other flammable vapors and liquids.

### 13.1 Firebox

**Performed by:** Qualified Service Person

**Frequency:** Annually

**Action:**

- Vacuum and clean any debris in the firebox that is not supposed to be there.
- Inspect and operate the bottom latch assembly. Verify the assembly is free from obstruction to operate. The handles must have spring tension but be able to move forward freely.

### 13.2 Fan

**CAUTION:** Label all wires prior to disconnection when servicing controls. Wiring errors can cause improper and dangerous operation. Verify proper operation after servicing.

**Performed by:** Qualified Service Person

**Frequency:** Every 6 months

**Action:**

- Disconnect the fan from electrical current and vacuum.
- The bearings are sealed and require no oiling.

### 13.3 Vent System

**NOTE:** If the vent-air intake system is disassembled for any reason, reinstall per instructions provided with installation. If installing Kozy Power Vent (#KPV), please reference the manual included with the kit. For natural draft vent installation, refer to Section 7.0 Venting on page 42.

**Performed by:** Qualified Service Person

**Frequency:** Annually

**Action:**

- Examination of the vent system is required.
- The flow of combustion and ventilation air must not be obstructed.

### 13.4 Glass Assembly

**CAUTION:** Do not operate appliance with the glass assembly removed, cracked, or broken. Use protective gloves to handle any broken or damaged glass assembly components.

**WARNING:** Do not use substitute materials.

**WARNING:** Avoid striking or slamming glass assembly. Avoid abrasive cleaner. DO NOT clean glass while it is hot.

**IMPORTANT:** Any safety screen, guard, or barrier removed for servicing the appliance must be replaced prior to operating the appliance.

**Performed by:** Homeowner

**Frequency:** Annually

**Action:**

- Prepare a work area large enough to accommodate the glass assembly on a flat, stable surface.
- Remove safety screen and glass frame assembly.
- Clean glass window with a suitable fireplace glass cleaner using a soft cloth. Abrasive cleaners must not be used. Be careful not to scratch the glass when cleaning.
- Reinstall glass assembly and safety screen. Do not operate fireplace without safety screen.

**Performed by:** Qualified Service Person

**Frequency:** Annually

**Action:**

- Clean glass window with a suitable fireplace glass cleaner using a soft cloth. Abrasive cleaners must not be used. Be careful not to scratch the glass when cleaning.
- Inspect the glass for cracks, scratches, and nicks.
- Verify the glass assembly is properly intact and not damaged.
- Replace the glass and the assembly #701-050T as necessary.
- Only Hussong Mfg. Co., Inc. will supply the replacement of glass assembly as a complete unit.

## 13.5 Burner and Pilot System

Certain components may be removed for easier access to the control compartment. Refer to Section 8.5 Control Board Access, Removal and Installation on page 53 for instructions. Verify gas supply is turned on and filled. Consult with plumber or gas supplier as necessary.

**Performed by:** Qualified Service Person

**Frequency:** Annually

**Action:**

- Vacuum all components of the burner system.
- Check all accessible gas-carrying tubes, connections, pipes and other components for leaks.
- Inspect the operation of the flame safety system Pilot or Flame rectification device. Visually check pilot light when in operation.
- Inspect and ensure the lighting of the main burner occurs within (4) seconds of the main gas valve opening. Check for faulty or incorrect wiring and correct or replace as necessary. Inspect primary air openings (burner ports) for blockage, especially near the pilot.
- Visually check burner flame pattern when in operation. Flames should be steady, not lifting or floating.
- Test and measure the flame failure response time of the flame safety system. It must de-energize the safety shutoff in no more than (30) seconds.

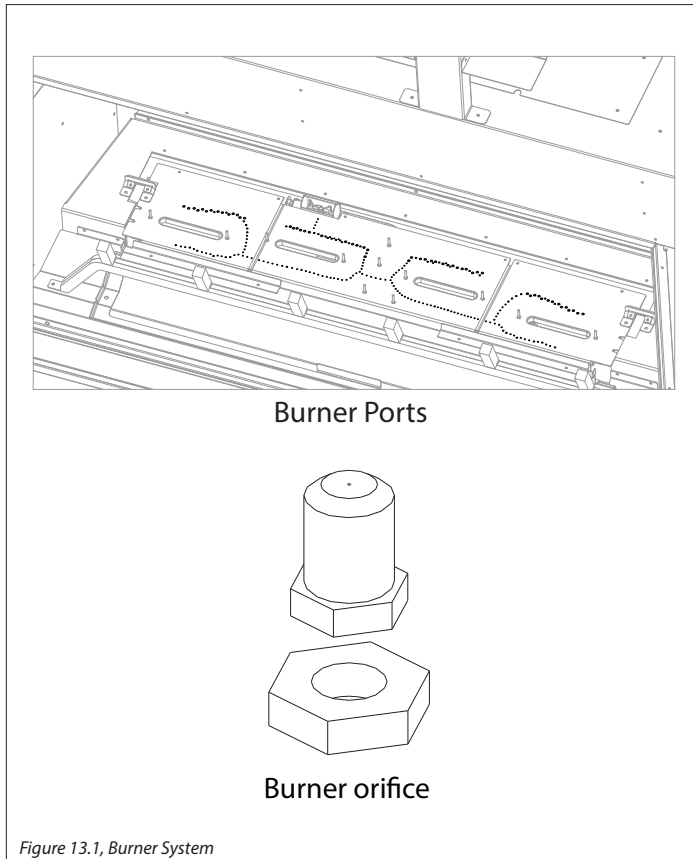


Figure 13.1, Burner System

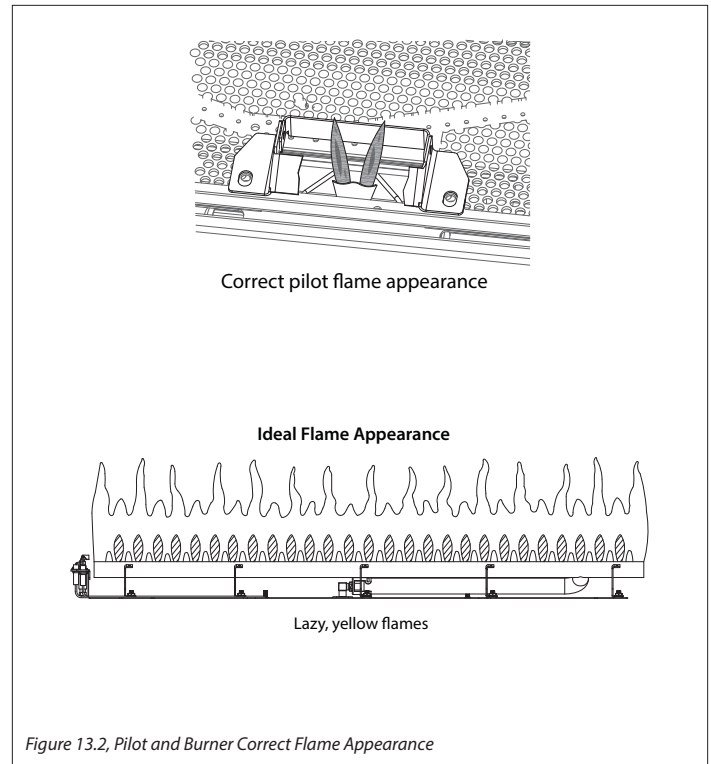


Figure 13.2, Pilot and Burner Correct Flame Appearance

# 14.0 REPLACEMENT PARTS LIST

Replacement parts are available through your local dealer. Contact your local dealer for availability and pricing.

The following warning is for replacement parts for this appliance.

**WARNING:** This product can expose you to chemicals including Lead, which is [are] known to the State of California to cause cancer, birth defects or other reproductive harm. For more information, visit [www.P65Warnings.ca.gov](http://www.P65Warnings.ca.gov).

BHM-52 CONTROL BOARD AND PARTS			
Control Board - Natural Gas	BH52-170	Pilot Orifice - Propane #.014 LP	700-114
Control Board - Propane	BH52-171-	Valve Step Motor - Natural Gas	700-504
SIT IPI Gas Valve - Natural Gas	700-567	Valve Step Motor - Propane	700-504-1
SIT IPI Gas Valve - Propane	700-567-1	24" WhisperFlex Gas Line - Black	700-224W
Proflame 2 IFC Board	700-759	15" Flexible Gas Line - Valve to Burner Connection	700-227F
IFC Wire Harness Assembly	700-653	44" Flexible Gas Line	700-BZ44
Proflame 2 IFC External Antenna	700-ANT	24" Flexible Gas Line	700-BZ24
Main Line Wire Harness - 42"	700-350A	Natural Gas Burner Orifice CENTER #33	700-233
On/Off Wire Harness	700-656	Natural Gas Burner Orifice SIDES #51	700-251
Battery Back-up	700-756	Propane Burner Orifice CENTER 1.90mm	700-190M
Fan/Light Kit Wire Harness	700-655	Propane Burner Orifice SIDES #63	700-263
Pilot Assembly - Natural Gas	900-064A	Conversion Kit - Natural Gas	NCK-BH52-SPB
Pilot Assembly - Propane	900-064A-1	Conversion Kit - Propane	LCK-BH52-SPB
540 Split Flow	700-604	Center Burner Assembly	BH52-C035
Flexible PSE Pilot Tubing	700-081	Left Burner Assembly	BH52-L035
Transmitter (Remote Control) with Split Flow	700-508	Right Burner Assembly	BH52-R035
Pilot Orifice - Natural Gas #.023 NG	700-123	Valve Cover Plate	BH-VCP

GLASS AND GLASS PARTS	
29.75" x 49.75" - Glass with Gasket	701-050T
15.50" Glass Gasket	900-007
Replacement Valance	BH52-005

ADDITIONAL COMPONENTS	
5" (127mm) Restrictor Plate	900-086
Manual Gas Shut-off Valve	700-203
Glass Latch Tool	JOR-GLT

SAFETY BARRIERS	
Safety Barrier Screen (only)	BH52-ES

LIGHT KITS	
Ember Bed Light Kit	BH52-LKT
5 lb (2.268kg) Ember Panel Crushed Glass	600-698
Top Light Kit	600-TLK
20W 120V Halogen Bulb	600-676

FAN KIT	
Fan Assembly	BH52-028

Hussong Manufacturing Co., Inc.  
P.O. Box 577  
204 Industrial Park Drive  
Lakefield, MN 56150-0577, USA  
BHM-52 & BHM-52-BW

<b>TRADITIONAL LOG SET</b>	
17 Piece Log Set	BH52-500
Right Ember Panel	BH52-900ER
Left Ember Panel	BH52-900EL
#BH52 1 Log	BH52-1
#BH52 2 Log	BH52-2
#BH52 3 Log	BH52-3
#BH52 4 Log	BH52-4
#BH52 5 Log	BH52-5
#BH52 6 Log	BH52-6
#BH52 7 Log	BH52-7
#BH52 8 Log	BH52-8
#BH52 9 Log	BH52-9
#BH52 10 Log	BH52-10
#BH52 11 Log	BH52-11
#BH52 12 Log	BH52-12
#BH52 13 Log	BH52-13
#BH52 14 Log	BH52-14
#BH52 15 Log	BH52-15
1/2" Lava Rock	600-715
Rock Wool Embers	900-REMB

<b>BIRCHWOOD LOG SET</b>	
17 Piece Log Set	BH52-B501
Right Ember Panel	BH52-900ER
Left Ember Panel	BH52-900EL
#BH52 B1 Log	BH52-B1
#BH52 B2 Log	BH52-B2
#BH52 B3 Log	BH52-B3
#BH52 B4 Log	BH52-B4
#BH52 B5 Log	BH52-B5
#BH52 B6 Log	BH52-B6
#BH52 B7 Log	BH52-B7
#BH52 B8 Log	BH52-B8
#BH52 B9 Log	BH52-B9
#BH52 B10 Log	BH52-B10
#BH52 B11 Log	BH52-B11
#BH52 B12 Log	BH52-B12
#BH52 B13 Log	BH52-B13
#BH52 B14 Log	BH52-B14
#BH52 B15 Log	BH52-B15
1/2" Lava Rock	600-715
Rock Wool Embers	900-REMB

<b>REFRACTORY PANEL SETS</b>	
Chicago Brick Refractory Set	BH52-CB900
Ledgestone Refractory Set	BH52-L900
Herringbone Refractory Set	BH52-HB900

<b>BLACK GLASS PANEL SET</b>	
Black Glass Panel Set	BH52-BG900

**Hussong Manufacturing Co., Inc.**  
**P.O. Box 577**  
**204 Industrial Park Drive**  
**Lakefield, MN 56150-0577, USA**  
**BHM-52 & BHM-52-BW**

#BHM-52 & #BHM-52-BW Rev. 5

Hussong Mfg. Co., Inc. • Kozy Heat Fireplaces

REPLACEMENT PARTS LIST **73**

# LIMITED LIFETIME WARRANTY

## Warranty Coverage

Hussong Manufacturing Company, Inc. (Hussong Mfg.) warrants this Kozy Heat gas appliance from the date of purchase to the original purchaser, that it is free of defects in materials and workmanship at the time of manufacture. Registering your fireplace warranty does not require any documents to be sent in to Hussong Mfg. Please retain your proof of purchase reflecting the date of purchase along with the serial number and model of your fireplace for any future warranty claims.

*If a defect is noted within the warranty period, the customer should contact their authorized dealer for service within 30 days.*

### 30 Days: Parts & Labor\*

- Paint
- Light bulbs
- Gasket material
- Glass media and media dam

### Year 1: Parts & Labor\*

- All parts and material except the items listed in the 30 day warranty and any exclusions or limitations that may apply.  
*\*Hussong Mfg. will issue labor reimbursement to an authorized dealer only. Hussong Mfg. will not be liable for charges occurred as a result of any service performed by a non-authorized service provider, without pre-authorization.*

### Years 2 through Lifetime: Parts Only

- Firebox
- Heat Exchanger
- Logs
- Burner tube or pan
- Outer shell
- Heat shield(s)
- Front Viewing Glass (thermal shock only)
- Refractory Firebox liner (excluding enamel and glass panels)

## EXCLUSIONS AND LIMITATIONS

1. This appliance must be installed by a licensed, authorized service technician or contractor. It must be installed, operated and maintained at all times in accordance with the instructions in the owner's manual or the warranty is void.
2. This warranty is nontransferable and is made to the original purchaser only.
3. This warranty excludes standard wear and tear of the appliance which is considered normal usage over time.
4. Discoloration and some minor expansion, contraction or movement of certain parts, resulting in noise, is normal and not a defect.
5. Warranty is automatically voided if the appliance's serial number and/or testing label is removed or if the appliance is altered or tampered with in any way.
6. Warranty is void if the appliance is subject to submersion in water or prolonged periods of dampness or condensation. Any damage to any part of the appliance due to water or weather damage which is the result of, but not limited to, improper chimney/venting installation will also render this warranty void.
7. This warranty does not cover installation and operational related problems such as environmental conditions, nearby trees, buildings, hilltops, mountains, inadequate venting or ventilation, excessive offsets, negative air pressures caused by any mechanical systems.
8. Chimney components and other Non-Hussong Mfg. accessories used in conjunction with the installation of this appliance are not covered under this warranty.
9. Damage to plated surfaces or accessories, if applicable, caused by scratches, fingerprints, melted items or other external sources left on the surfaces from the use of cleaners is not covered under this warranty.
10. It is expressly agreed and understood that this warranty is Hussong Mfg.'s sole obligation and purchaser's exclusive remedy for defective fireplace equipment. Hussong Mfg. is free of liability for any damages caused by this appliance, as well as inconvenience expenses and materials. Incidental or consequential damages are not covered by this warranty. In some states, the exclusion of incidental or consequential damage may not apply. Hussong Mfg. shall not be held to implied warranties and this warranty shall replace all previous warranties.
11. This limited lifetime warranty is the only warranty supplied by Hussong Mfg. Any warranties extended to the purchaser by the dealer/distributor, whether expressed or implied, are hereby disclaimed and the purchaser's recourse is expressly limited to the warranties set forth herein.
12. Any part repaired or replaced during the limited warranty period will be warranted under the terms of the limited warranty for a period not to exceed the remaining term of the original limited warranty.
13. Any replacement part repaired after the warranty period will include a 90 day parts coverage
14. Hussong Mfg. may require the defective part to be returned using a pre-authorized RGA number or a photo of the defective component. Failure to provide either can result in a denied claim.
15. This warranty does not cover the appliances ability to heat a desired space, as there are many factors that can impact the heating performance in each home. Consideration should be implied to the appliance's location, room size, home design, environmental conditions, insulation, and tightness of the home.
16. Hussong Mfg. reserves the right to make changes at any time, without notice, in design, material, specifications, and prices. Hussong Mfg. reserves the right to discontinue models and products.



