

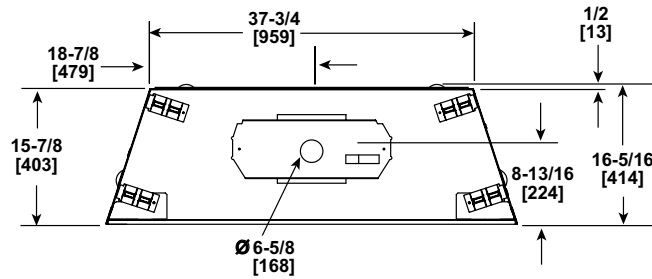


Please consult the manufacturer's installation manual for all details and requirements before making a final design layout decision.

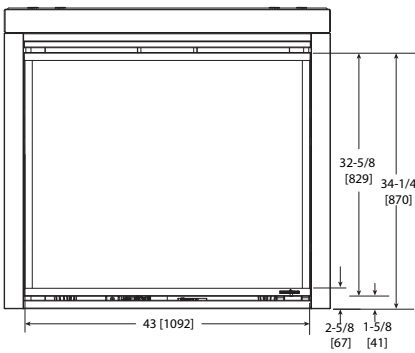
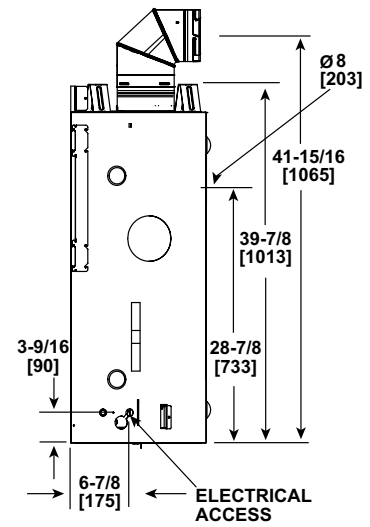
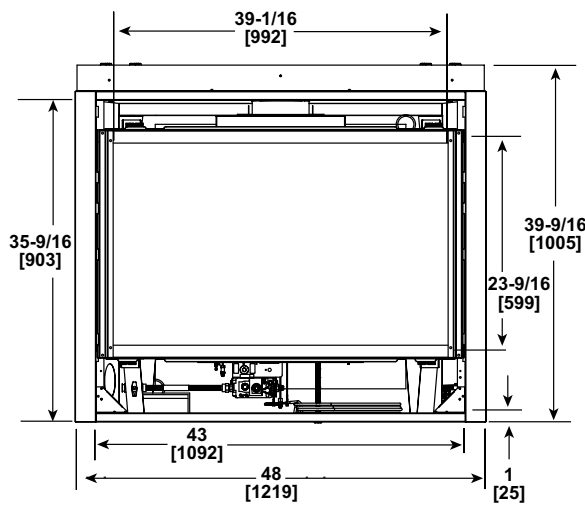
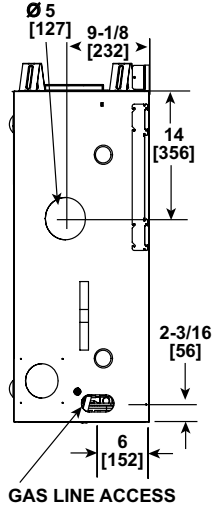
# SL-9/9X

Direct Vent Gas Fireplace

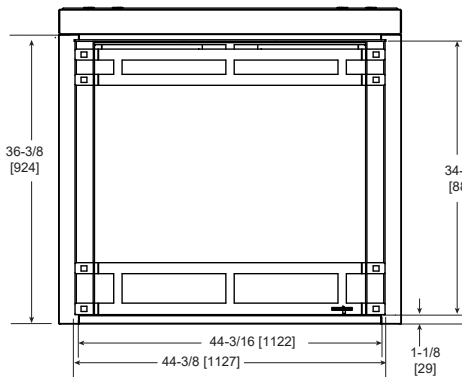
MODEL	FRONT WIDTH		BACK WIDTH		HEIGHT		DEPTH		GLASS SIZE
	Actual	Framing	Actual	Framing	Actual	Framing	Actual	Framing	
SL-9/9X	48 [1218]	49 [1245]	37-3/4 [959]	49 [1245]	41-7/8 [1063]	40-1/4 [1022]	16-5/16 [415]	16-1/4 [413]	39-1/16 X 23-9/16 [992 x 599]



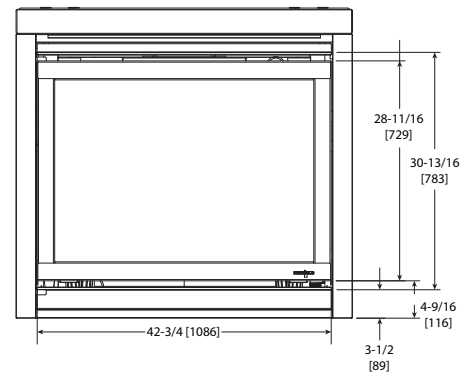
**HEAT-ZONE® ACCESS**



**Firescreen Front**



**Arcadia, Halston,  
and Chateau Forge Fronts**



**Clean Face Front**

### MINIMUM FIREPLACE CLEARANCES

AREA	TO COMBUSTIBLES (in inches)
CLEARANCE TO CEILING	32 [51]
COMBUSTIBLE/NON-COMBUSTIBLE FLOOR	0 [0]
BEHIND APPLIANCE	1/2 [13]
SIDES OF APPLIANCE	1/2 [13]
FRONT OF APPLIANCE	36 [914]

### APPLIANCE LOCATION

Model		A	B	C	E	F	G
SL-9/9X	in	50-1/2	49	71-1/2	1/2	50-1/2	71-1/2
	mm	1283	1245	1816	13	1280	1816
		H	I	J	K	L	
SL-9/9X	in	16-1/4	50-1/2	71-1/2	19-1/2	19-1/2	
	mm	413	1283	1816	495	495	

### WALL PENETRATION

### MANTEL LEG/WALL PROJECTIONS

**Mantel Leg Projection**  
(acceptable on both sides of opening)

**Wall Projection**  
(acceptable on one side of opening)

### FRAMING DIMENSIONS

	A Rough Opening (Width)		B Rough Opening (Height)	C Rough Opening (Depth)		D Rough Opening (Width)
	DVP pipe	SLP pipe		DVP pipe	SLP pipe	
in	10	8-5/8	40-1/4	16-1/4	16-1/4	49
mm	254	219	1022	413	413	1245

### CLEARANCES TO COMBUSTIBLES

### MANTEL PROJECTIONS

PRODUCT LISTING CODES	
US	ANSI Z21.88a-2014
CAN	CSA 2.33a-M2014
	UL307B

Product information provided is not complete and is subject to change without notice. Product installation must adhere strictly to instructions accompanying product to avoid risk of fire and potential injury.

Additional information can be found online at [www.heatnglo.com](http://www.heatnglo.com)