



Castile Insert shown in Classic Black, with metal surround, Classic Black cast iron trim and optional log set

Quadra-Fire Pellet Inserts provide an instant upgrade to any hearth, designed to be retrofitted into an existing wood-burning fireplace, transform your drafty old fireplace into a powerful, efficient and clean burning heat source.

## Trekker



## Castile



## Classic Bay 1200



## Santa Fe



\*\*Up to \$2,000 annually for qualifying purchase.

|                                | Trekker                | Castile                | Classic Bay 1200       | Santa Fe               |
|--------------------------------|------------------------|------------------------|------------------------|------------------------|
| Peak BTU/hr Input <sup>1</sup> | 51,000                 | 30,600                 | 48,500                 | 30,600                 |
| Heating Capacity <sup>2</sup>  | 1,300 - 2,900 sq ft    | 700-1,900sq ft         | 1,000 - 2,700 sq ft    | 700 - 1,900 sq ft      |
| Efficiency <sup>3</sup>        | 83% (LHV)<br>78% (HHV) | 70% (LHV)<br>66% (HHV) | 68% (LHV)<br>64% (HHV) | 70% (LHV)<br>66% (HHV) |
| Burn Rate                      | 1.9-5.9 lb/hr          | 1.0-3.4 lb/hr          | 1.9-5.3 lb/hr          | 1.0-3.4 lb/hr          |
| Emissions                      | .74 g/h                | 1.1 g/h                | .8 g/h                 | 1.1 g/h                |
| Hopper Capacity                | 52 lbs                 | 42 lbs                 | 75 lbs                 | 45 lbs                 |
| Viewing Area                   | 284 sq in              | 168 sq in              | 168 sq in              | 168 sq in              |
| Actual Weight                  | 425 lbs                | 260 lbs                | 243 lbs                | 214 lbs                |
| Technology                     | E2                     | OE                     | OE                     | OE                     |

## EXCLUSIVE TECHNOLOGIES

### Efficient Energy

Efficient Energy (E2) technology saves money by using less fuel and adjusting the blower to maintain room temperature. It offers five manual heat settings and includes a standard 7-day wireless programmable thermostat for personalized comfort control.

### Original Energy

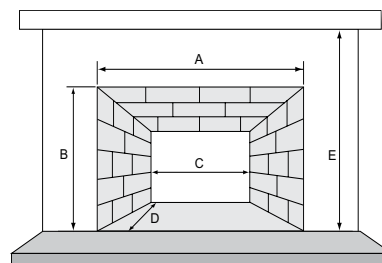
Original Energy (OE) uses an aluminum heat exchange system with three heat settings for performance. The patented jam-free feed system and easy-clean firepot ensure reliable heat. A standard wall thermostat lets you set your desired room temperature and walk away.

# 3 Easy Steps To Upgrade Your Existing Wood-Burning Fireplace

## STEP 1: Measure Your Existing Fireplace

The height, width and depth of the existing fireplace opening is needed to ensure selection of an appropriately sized insert:

- A. Fireplace front width \_\_\_\_\_ D. Fireplace Depth \_\_\_\_\_  
 B. Fireplace front height \_\_\_\_\_ E. Hearth to mantel height \_\_\_\_\_  
 C. Fireplace back width \_\_\_\_\_ (based on a 12" deep combustible mantel)



\*If mantel depth is 10" or less, then E = 39-3/4".

### Minimum Fireplace Opening

|                  | A               | B               | C               | D               | E                 |
|------------------|-----------------|-----------------|-----------------|-----------------|-------------------|
| Trekker          | 32-1/4" (819mm) | 24-3/8" (619mm) | 24-1/8" (613mm) | 16-5/8" (422mm) | 41-3/4" (1060mm)* |
| Castile          | 28-3/8" (721mm) | 21-1/4" (540mm) | 23-7/8" (606mm) | 13-3/8" (340mm) | 37-1/2" (953mm)   |
| Classic Bay 1200 | 29-3/4" (756mm) | 19-3/4" (502mm) | 22-1/2" (572mm) | 13-1/4" (337mm) | 37-1/2" (953mm)   |
| Santa Fe         | 29-3/8" (746mm) | 23-1/4" (591mm) | 24-1/8" (613mm) | 13" (330mm)     | 37-3/8" (949mm)   |

## STEP 2: Select a Surround

Surrounds remove the gap between the fireplace insert and existing fireplace opening. Choose from numerous sizes and styles for a unique look.



Metal surround with outside cast iron trim available in 3 finishes: Classic Black, Porcelain Mahogany, and Porcelain Twilight (Trekker and Castile only)

Classic Black metal surround in 2 sizes available with outside metal trim in 3 finishes: Classic Black, Black Nickel, and Satin Nickel (not all finishes offered for every model)

## STEP 3: Customize Your Insert

Make it your own. Select stunning finish options and accessories.



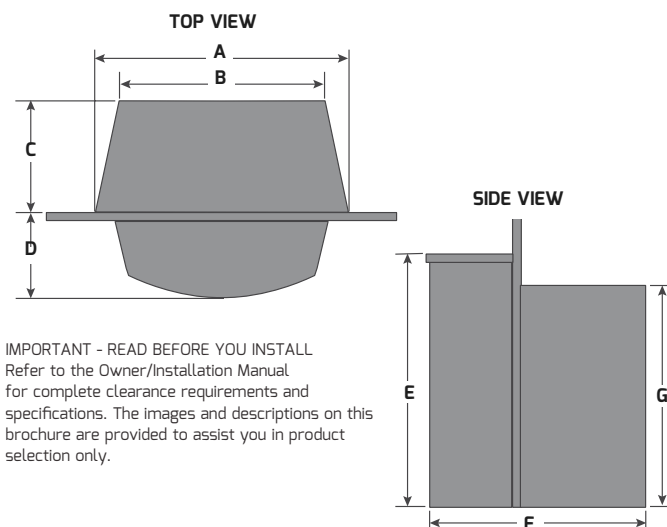
Optional log set gives you the look of burning logs. Available for all models.



Optional remote control thermostat allows you to run your appliance based on your personal comfort level. Available for all models.

## Specifications

|                         | A                  | B                  | C                  | D                  | E                  | F                  | G                  |
|-------------------------|--------------------|--------------------|--------------------|--------------------|--------------------|--------------------|--------------------|
| <b>Trekker</b>          | 32"<br>(813mm)     | 23-7/8"<br>(606mm) | 15"<br>(381mm)     | 13-1/8"<br>(333mm) | 29-3/4"<br>(756mm) | 26-7/8"<br>(683mm) | 24-1/8"<br>(613mm) |
| <b>Castile</b>          | 27-3/4"<br>(705mm) | 23-3/8"<br>(594mm) | 12-7/8"<br>(327mm) | 10-3/8"<br>(264mm) | 25"<br>(635mm)     | 22-3/4"<br>(578mm) | 21"<br>(533mm)     |
| <b>Classic Bay 1200</b> | 29-1/4"<br>(743mm) | 22"<br>(559mm)     | 13"<br>(330mm)     | 13-5/8"<br>(346mm) | 25-1/2"<br>(648mm) | 24"<br>(610mm)     | 19-1/2"<br>(495mm) |
| <b>Santa Fe</b>         | 28-7/8"<br>(733mm) | 23-5/8"<br>(600mm) | 12-3/4"<br>(324mm) | 9-1/2"<br>(241mm)  | 25-3/8"<br>(645mm) | 22-3/8"<br>(568mm) | 23"<br>(584mm)     |



Scan to learn more about our pellet inserts



For full warranty details, visit [www.forgenflame.com](http://www.forgenflame.com). All Quadra-Fire pellet inserts are certified to EPA standards.

1: BTU/hour input based on the high feed rate per hour multiplied by BTU content of test fuel pellets. Fuel density and pellet shape will affect hopper capacity. 2: See your local Quadra-Fire dealer for help in determining the product that best suits your heating needs based on climate and home efficiency. 3: Weighted average LHV (Low Heating Value) efficiency. HHV (High Heat Value) efficiency used to qualify products for Tax Credit beginning in 2023.

**IMPORTANT - READ BEFORE YOU INSTALL!** Refer to the Owner/Installation Manual for complete clearance requirements and specifications. The images and descriptions in this brochure are provided to assist you in product selection only.

Quadra-Fire is a registered trademark of Hearth & Home Technologies. Product specifications and pricing subject to change without notice.

Fireplace, stove and insert surfaces get extremely HOT and can cause severe burns if touched. Keep a safe distance away.

**FORGENFLAME.COM**

