

Alpine LE-1

Shown with a blower, pewter surround trim and a black door.

Among- if not the absolute- highest efficiency fireplace insert made. Combining high efficiency with extremely low emissions, the Kuma Alpine LE-1 is unsurpassed in its ability to transform a fireplace into a beautiful means of economical home heating.



Burn Time and Heating Capacity will vary depending on wood type, chimney length, home layout, desired temperature and your home's insulation value.

** Sec. 25(C) - renewable energy investment tax credit. Please consult with your tax adviser to confirm your eligibility for a tax credit

True Efficiency (HHV)	78%	<small>84% LHV</small>
Maximum Heat Output*	63,000 BTU's/Hr	
Burn Time	9 hours	
Wood Length	16"	
Heating Capacity	1200 - 1800 sq. ft.	
Firebox Size	1.8 cu. ft.	
Emissions	1.08 grams/hr.	
Flue Size	6"	
Weight	370 lbs.	

- EPA 2020 certified
- UL Safety tested
- For use in masonry fireplaces
- Outside air ready
- 30% Tax Credit Qualified**
- Optional convection blower with temperature and speed control.

Our Kuma Cascade LE-1 insert will upgrade your fireplace into an exceptionally efficient home heating center. Enjoy the fire while savoring the knowledge that its beauty is providing a clean burning, efficient and economical comfort. Guaranteed for a lifetime of service, the Kuma Cascade LE is truly an excellent choice for your fireplace insert.

Cascade LE-1

Shown with a pewter surround trim and a pewter door.

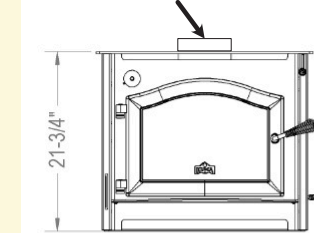


True Efficiency (HHV)	78%	<small>84% LHV</small>
Maximum Heat Output*	82,000 BTU's/Hr	
Burn Time	12 hours	
Wood Length	18"	
Heating Capacity	2200 - 2800 sq. ft.	
Firebox Size	2.5 cu. ft.	
Emissions	1.11 grams/hr.	
Flue Size	6"	
Weight	450 lbs.	

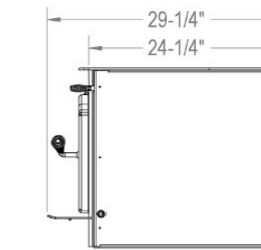
* The type of fuel that you load into your stove and how often you load it will affect your stove's maximum heat output. Using dimensional lumber, this stove will produce an EPA estimated 30,612 BTU's/Hr. Larger or more frequent loads of cord wood will produce 82,000 BTU's/Hr.

- EPA 2020 certified
- UL Safety tested
- For use in masonry fireplaces
- Outside air ready
- 30% Tax Credit Qualified**
- Optional convection blower with temperature and speed control.

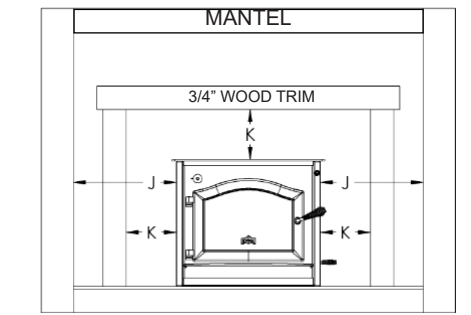
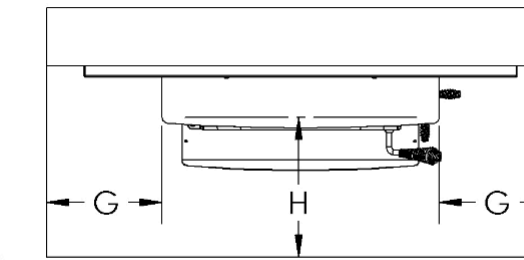
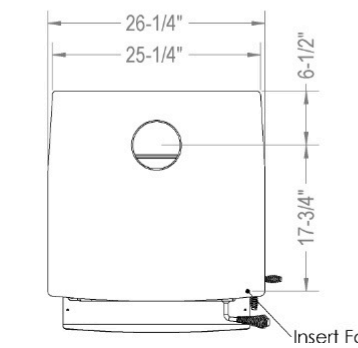
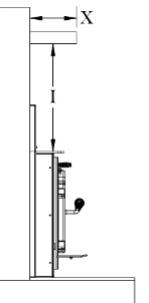
Removable flue collar (Adds 1")



Cascade LE-1 Dimensions and Clearances

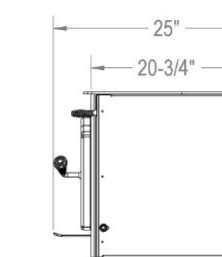
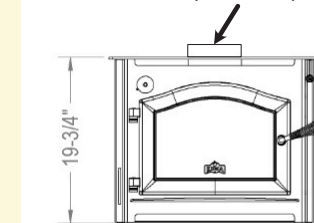


Clearances		
G	6"	Hearth to stove side
H	16"	Hearth to stove front
I	19.25"	To mantel
J	15"	To side wall
K	8.5"	To 3/4" wood trim
X	12"	Maximum mantle depth.



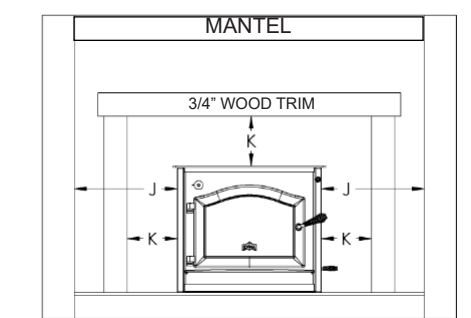
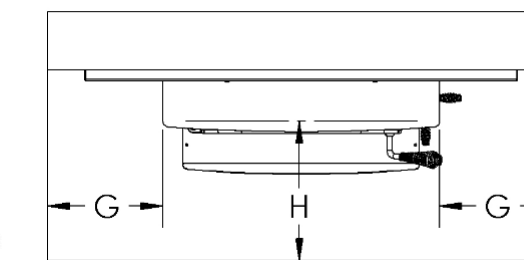
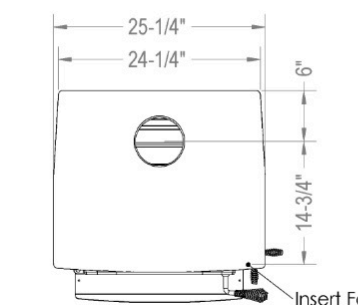
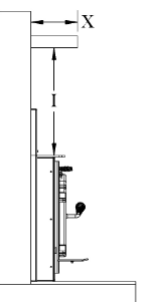
Minimum Fireplace Opening	Standard Surround Size	X-L Surround Size
22.5"H x 27"W x 14"D	30.5"H x 44"W	34"H x 48"W

Removable flue collar (Adds 1")



Alpine LE-1 Dimensions and Clearances

Clearances		
G	6"	Hearth to stove side
H	16"	Hearth to stove face
I	20"	To mantel
J	7.5"	To side wall
K	8.5"	To 3/4" wood trim (top)
K	7.5"	To 3/4" wood trim (sides)
X	12"	Maximum mantle depth.



Minimum Fireplace Opening	Standard Surround Size	X-L Surround Size
20.5"H x 26"W x 14"D	28"H x 38"W	30.5"H x 44" W

* The type of fuel that you load into your stove and how often you load it will affect your stove's maximum heat output. Using dimensional lumber, this stove will produce an EPA estimated 29,153 BTU's/Hr. Larger or more frequent loads of cord wood will produce 63,000 BTU's/Hr.

THE HEART OF A KUMA

COMFORT

Grandma used to say that wood heat was a different kind of heat. She was right. With forced air furnaces, only the air is conditioned, so the air temperature in the home changes rapidly when the furnace shuts off. A Kuma fireplace insert produces a combination of radiant and convection heat that warms your entire environment. The walls, floors and air warm up to provide a cozy home.

SAVING ENERGY AND SAVING DOLLARS

Kuma's hybrid burn system takes wood burning efficiency to new heights. With around 78% HHV* efficiency, investing in a Kuma fireplace insert will save you hundreds of dollars a year in fuel costs. Over the life of a stove, those savings really add up. Plus, All Kuma inserts qualify for a 30% federal tax credit through the year 2032.

BEAUTY AND PERFORMANCE

A Kuma insert works hard and looks good doing it! You can style your insert just how you like it with a variety of door finishes and trim options but the heart and soul of a Kuma is to deliver the performance that you need:

- High Efficiency
- Long Burn Time
- Beautiful Self-Cleaning Glass

QUALITY AMERICAN CRAFTSMANSHIP

Still made right here in Idaho, USA. We take incredible pride in products that are made by one craftsman, start to finish. No assembly lines. Not assembled with parts made offshore. Each fireplace insert has the finish details you would expect on a hand-made product. All fireplace inserts have precision laser cut steel and come with our limited lifetime warranty. Kuma Stoves is still family owned and operated, so when you purchase a Kuma, we can honestly say it is from our family to yours.

CLEAN AND EFFICIENT HYBRID TECHNOLOGY

There are 2 "E's" to consider when researching wood inserts. The first is high Efficiency: The efficiency of an insert tells you what percent of your wood is being converted into usable heat for your home. With a Kuma, HHV efficiency is taken to the highest levels ever seen in modern wood inserts. The second is low emissions: Low emissions mean less smoke and unwanted pollution in your neighborhood. In addition to ultra-low smoke output, a Kuma insert produces 5x less carbon monoxide emissions than most modern wood inserts.

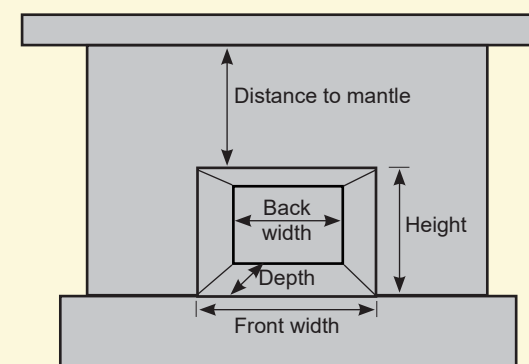
***HHV EFFICIENCY - Always ask to see the High Heat Value (HHV) efficiency of any appliance that you are researching. This value is published by the US Environmental Protection Agency and is a true representation of how your insert will perform in your home.**



Selecting Your Insert

STEP 1: Select an insert that fits your fireplace.

Measure the height, width, and depth of your existing fireplace. Determine which inserts will fit based on the minimum fireplace dimensions and clearances listed with each model. All Kuma fireplace surrounds feature a unique design that gives you the flexibility to install the fireplace at many different depths.

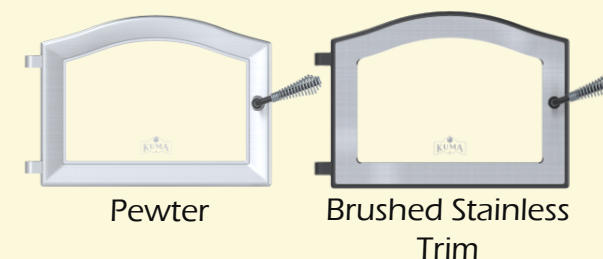


STEP 2: Select an insert that meets your heating needs.

Decide what areas of your home you would like to heat, what length of wood you will burn, and how long you want the insert to burn between refueling. Use the listed specifications to help determine which insert meets your heating needs.

Step 3: Choose a surround for your fireplace opening.

Kuma surround kits come in a standard size, and extra large size, and a thin trim-able size for custom fitting. Standard and extra large sizes have optional pewter trim kits available.



STEP 4: Choose your finishes and accessories.

Once you have decided on a model, you can customize your insert with a variety of door and trim finishes. You can also choose to add the optional thermostatically controlled blower or the window sunburst.



Thermostat Blower

Authorized Dealer:

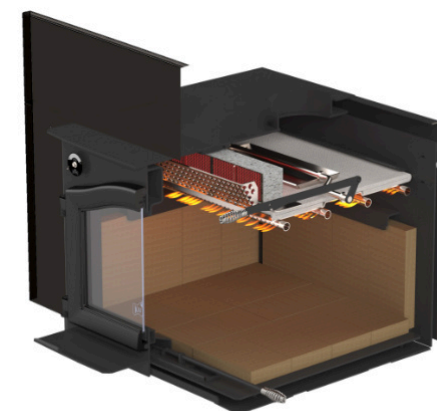
rev. 240206



For more information on these and other Kuma products please visit kumastoves.com

What does hybrid mean?

Our inserts combine 2 distinct burn systems into the firebox each with their own unique advantages. The first is the thermal combustion system (burn tubes). Burn tubes work great at temperatures above 1000° delivering secondary combustion air to incinerate most of the smoke. The second is the catalytic combustor system which lowers the temperature at which wood smoke will burn down to 500° so on medium and low burn rates, hybrid stoves will continue to burn super clean and efficient. Our entire line of low emission hybrid stoves and inserts comply with EPA 2020 requirements.



Fireplace Inserts

With ^EHYBRID_E Technology

