



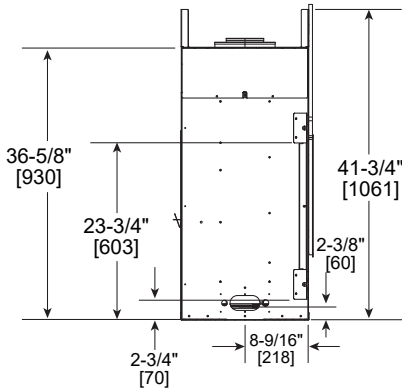
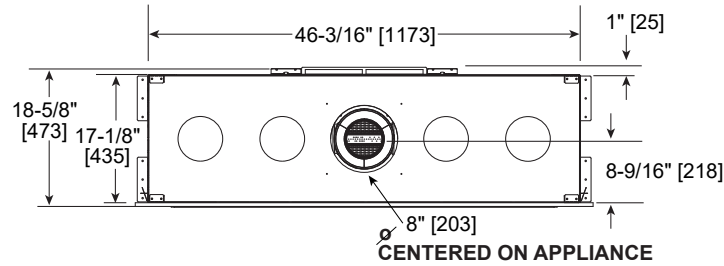
Please consult the manufacturer's installation manual for all details and requirements before making a final design layout decision.

Crave4836

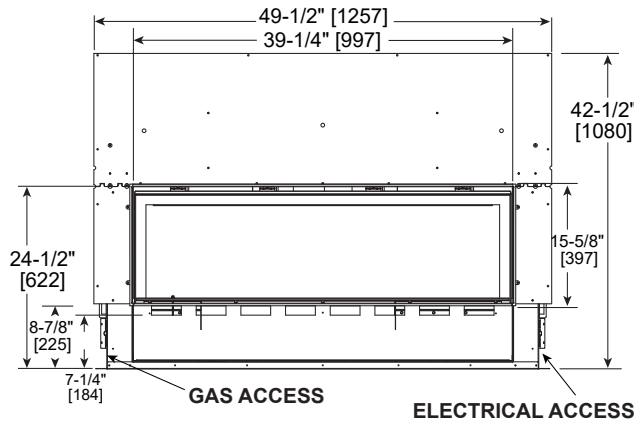
36" Direct Vent Gas Fireplace

MODEL	FRONT WIDTH		BACK WIDTH		HEIGHT		DEPTH		GLASS SIZE
	Actual	Framing	Actual	Framing	Actual	Framing	Actual	Framing	
CRAVE4836	46-3/16	48-1/4	46-3/16	48-1/4	41-3/4	42	17-1/8	18-1/4	35-1/2 x 12-1/2

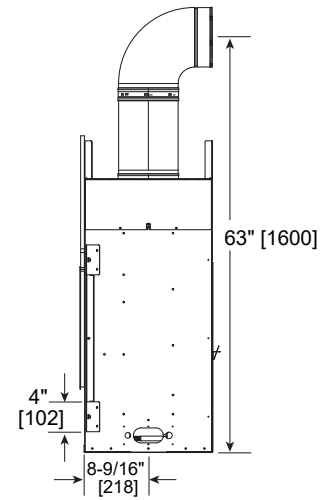
TOP



LEFT



FRONT

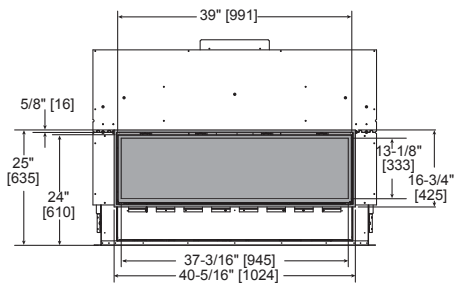


RIGHT

BEFORE FRAMING, PLEASE NOTE:

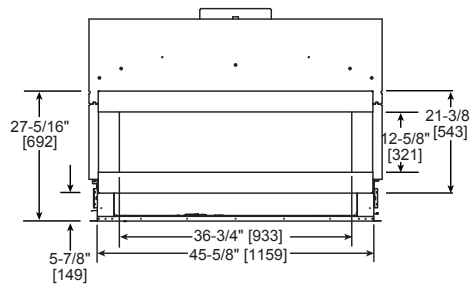
A minimum of 18" of vertical venting is required before attaching any elbow to the appliance.

FRONT DIMENSIONS



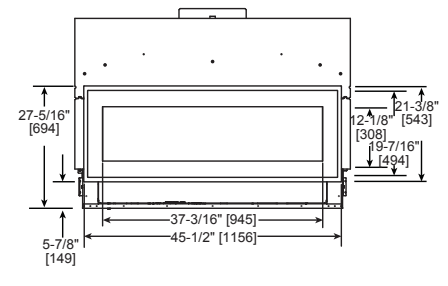
CLEAN FACE TRIM

- Rectangular holes on bottom of access panel should be covered.
- Approved for 0"-4" finishing material on inside fit method
- If finishing materials are 0-1" thick, the outer trim ring should be adjusted out so that the trim ring overlaps the finishing material. This is intended to provide the cleanest look.
- If finishing materials are 1-4" thick, install the trim ring all the way in. Finishing materials may not extend past the outside edge of the trim ring.



FOUR SQUARE FRONT

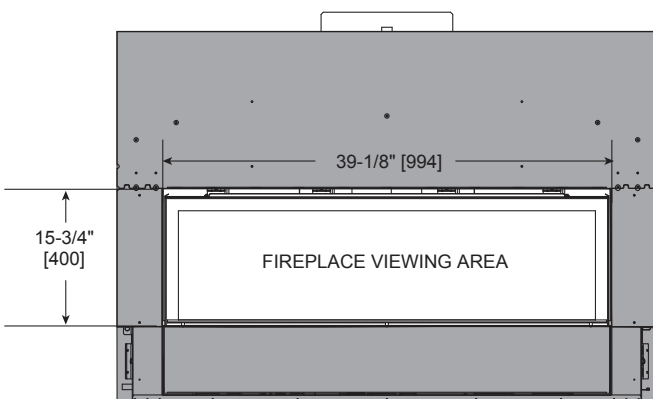
- Rectangular holes on bottom of access panel must be exposed.
- ONLY approved for 0"-1" finishing material on overlap fit method



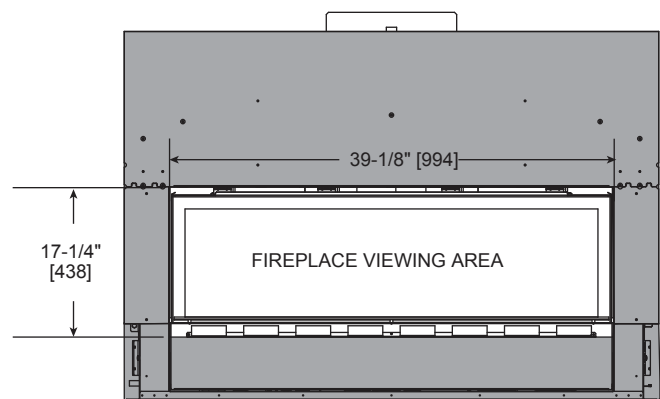
ILLUSION FRONT

- Rectangular holes on bottom of access panel must be exposed.
- ONLY approved for 0"-1" finishing material on overlap fit method

FINISHED OPENING DIMENSIONS

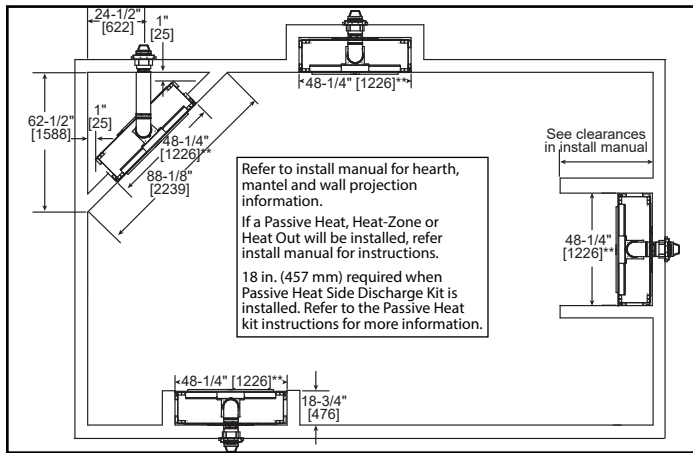


**INSIDE FIT METHOD
(CLEAN FACE TRIM)**

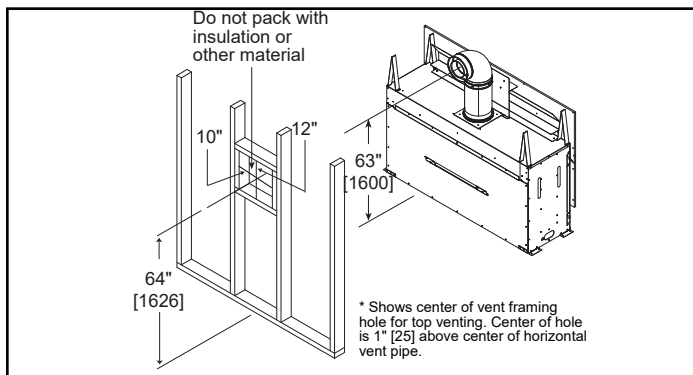


**OVERLAP FIT METHOD
(FOUR SQUARE, ILLUSION)**

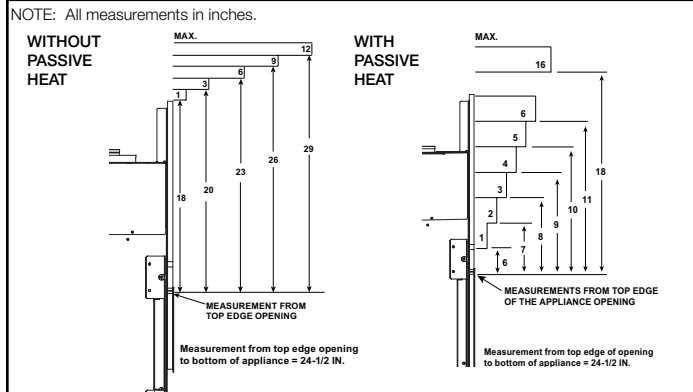
APPLIANCE LOCATION



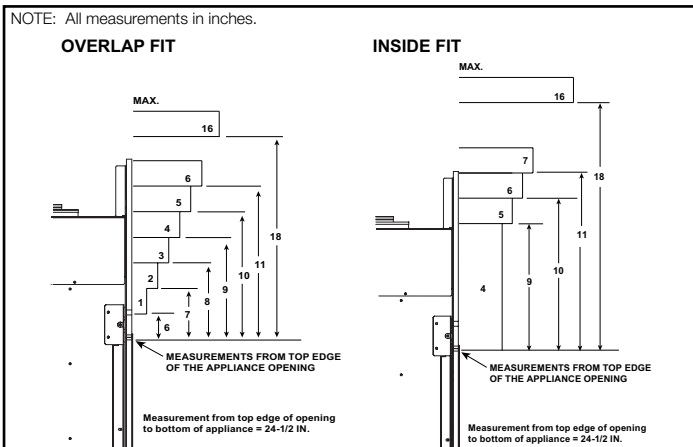
WALL PENETRATION



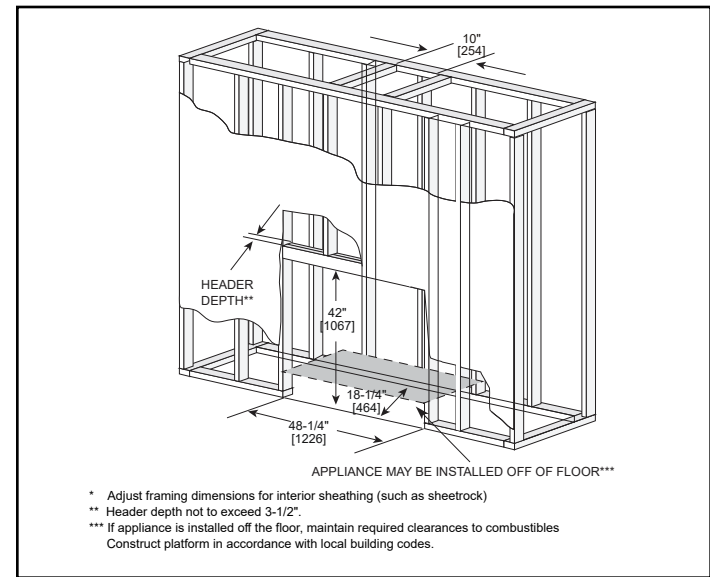
MANTEL PROJECTIONS - COMBUSTIBLE



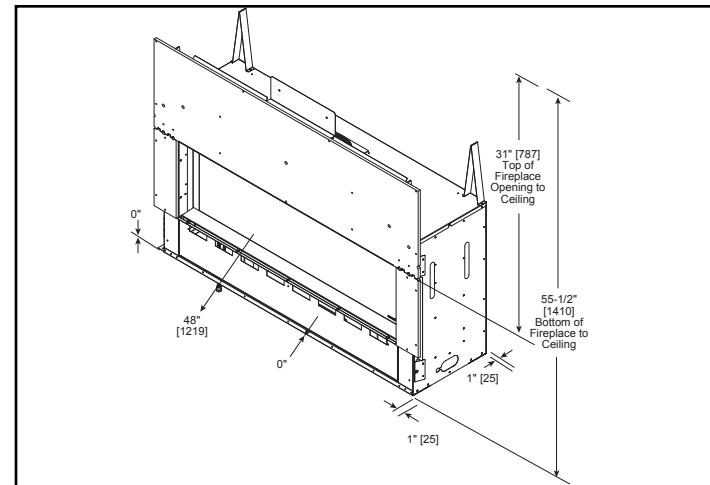
MANTEL PROJECTIONS - NON-COMBUSTIBLE



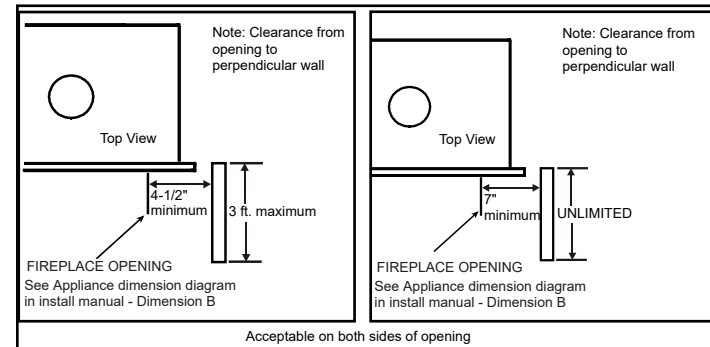
FRAMING DIMENSIONS



CLEARANCES TO COMBUSTIBLES



MANTEL LEG/WALL PROJECTIONS COMBUSTIBLE OR NON-COMBUSTIBLE



PRODUCT LISTING CODES	
US	ANSI Z21.88-2017
CAN	CSA 2.33-2017
US LISTED	UL307B

Product information provided is not complete and is subject to change without notice. Product installation must adhere strictly to instructions accompanying product to avoid risk of fire and potential injury.

Additional information can be found online at www.heatilator.com