

**HEAT & GLO**  
No one builds a better fire

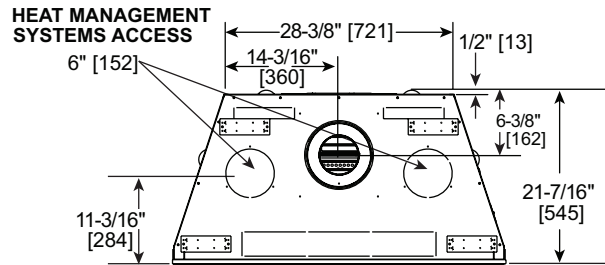
**6K MODERN**  
Direct Vent Gas Fireplace

Scan QR code for installation manual for final dimensions and requirements.

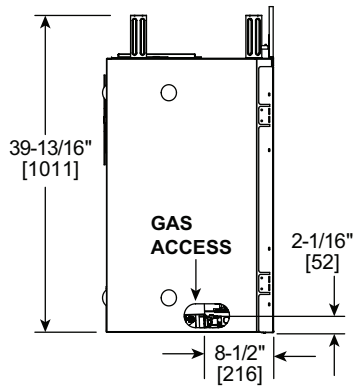


ACTUAL DIMENSIONS	FRONT WIDTH	HEIGHT	DEPTH	GLASS SIZE	BTU/HOUR INPUT
	41" [1041]	40-7/8" [1038]	21-7/16" [545]	24-3/4" x 34-1/4" [629 X 870]	17,000 - 34,000 BTUs (NG)

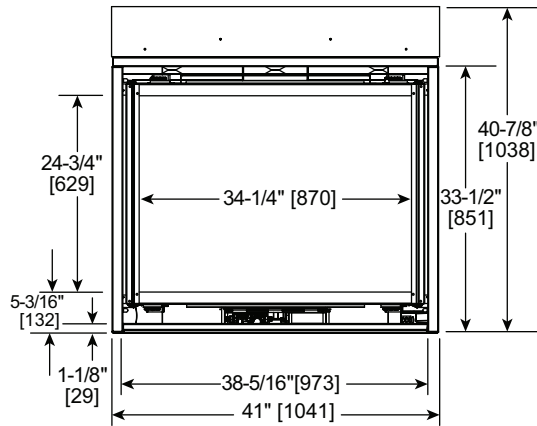
**TOP VIEW**



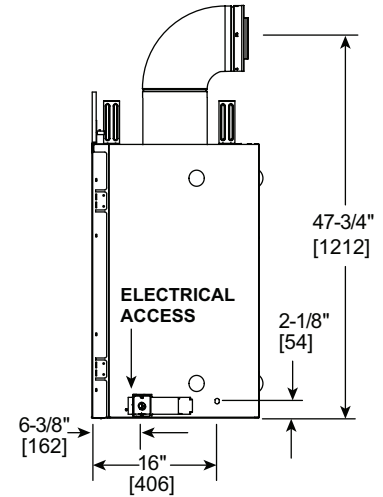
**LEFT SIDE**



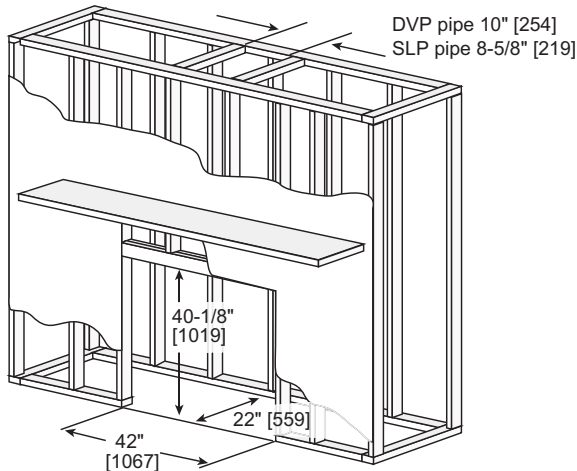
**FRONT VIEW**



**RIGHT SIDE**



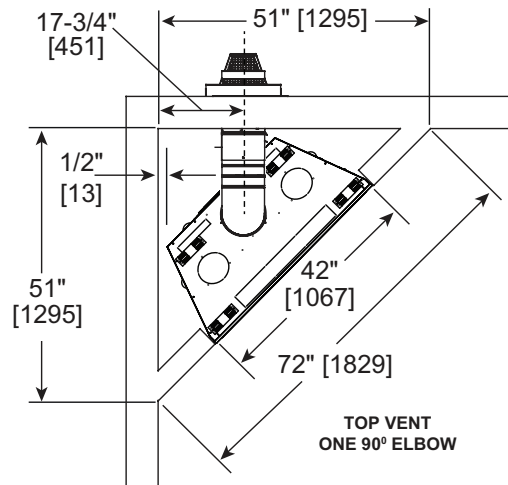
FRAMING DIMENSIONS	FRONT WIDTH	HEIGHT	DEPTH	WEIGHT
	42" [1067]	40-1/8" [1019]	22" [559]	169 LBS [77 KGS]



Adjust framing dimensions for interior chase sheathing (such as sheetrock)

**BASIC CORNER INSTALLATION**

Reference install manual for additional venting scenarios



### COMBUSTIBLE MANTEL PROJECTIONS

**Note:**  
All measurements  
in inches.

TO CEILING

Measurement from fireplace opening to bottom of appliance: = 33-1/2"

**Note:** Measurement is taken from top of the opening, NOT the top of the fireplace.  
Portrait front requires taller combustible clearances or Passive Heat; see install manual for details.

### NON-COMBUSTIBLE MANTEL PROJECTIONS

**Note:** All measurements in inches.

TO CEILING

Measurement from fireplace opening to bottom of appliance: = 33-1/2"

**Note:** Measurement is taken from top of the opening, NOT the top of the fireplace.

### COMBUSTIBLE MANTEL LEGS OR WALL PROJECTIONS

TOP VIEW

INTERIOR WALL

FIREPLACE OPENING

A

B

MANTEL LEG OR WALL PROJECTIONS

If A minimum is ____, then B maximum is ____.							
A	Inches	2-7/16	3-7/16	4-7/16	5-7/16	6-7/16	7-7/16
	Millimeters	62	87	113	138	164	189
B	Inches	1	2	3	4	5	∞
	Millimeters	25	51	76	102	127	∞

**Combustible Mantel Leg or Wall Projections**  
(Acceptable on both sides of opening)

### NON-COMBUSTIBLE MANTEL LEGS OR WALL PROJECTIONS

TOP VIEW

INTERIOR WALL

FIREPLACE OPENING

6 IN.

A

B

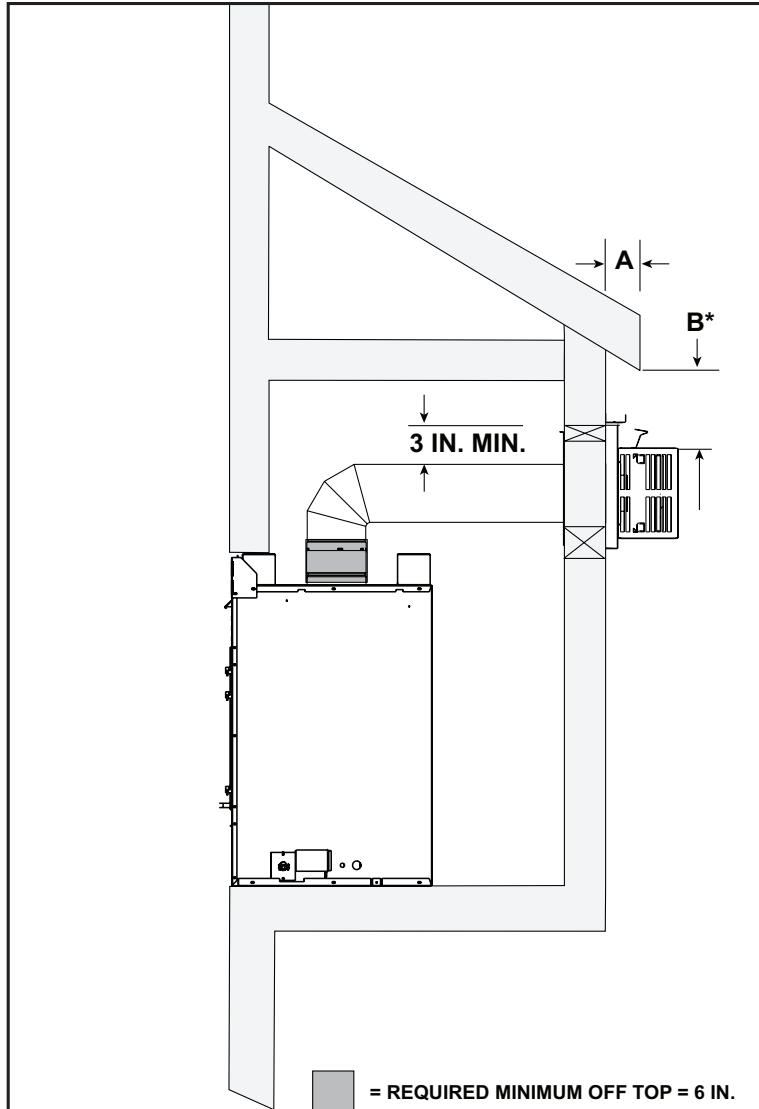
MANTEL LEG OR WALL PROJECTIONS

If A minimum is ____, then B maximum is ____.			
A	Inches	0-7-7/16	7-7/16
	Millimeters	0-189	189
B	Inches	6	∞
	Millimeters	152	∞

**Non-Combustible Mantel Leg or Wall Projections**  
(Acceptable on both sides of opening)

If using heat management please refer to the fireplace installation manual for framing guidelines and reduced mantel clearances. Additional information on venting, TV clearances, finishing requirements, fronts, etc can be found in the installation and owner's manual

**EXTERIOR CHASE MINIMUM HEIGHT REQUIREMENTS**



= REQUIRED MINIMUM OFF TOP = 6 IN.

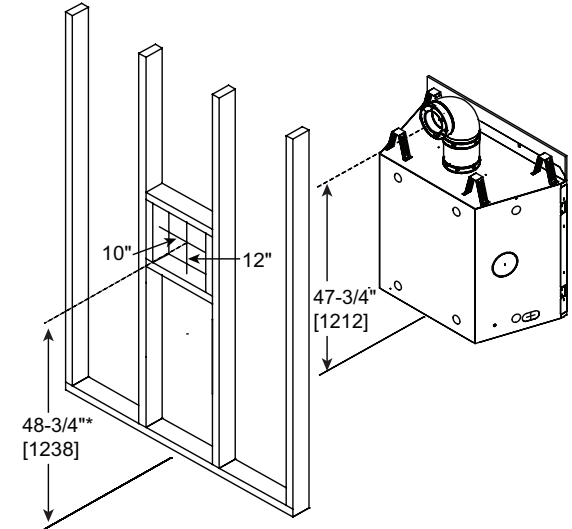
**\* NOTE:** If overhang (A) is less than 2 inches, clearance from top of termination cap to bottom of overhang (B) may be 0 inches.

**A** - Measured from back of vent cap to end of overhang  
**B** - Measured from bottom of overhang to top of termination cap

**Vinyl Siding Shield (TRAP-VSS) Information**  
**TRAP-VSS required** if overhang (A) is greater than 3 inches but less than 5 inches and B dimension is less than 18 inches.

**WALL PENETRATION**

**DO NOT PACK VENT FRAMING HOLE WITH INSULATION OR OTHER MATERIAL.**



\* Shows center of vent framing hole for top or rear venting. The center of the hole is one (1) in. (25 mm) above the center of the horizontal vent pipe.

PRODUCT LISTING CODES	
US	ANSI Z21.88-2019
CAN	CSA 2.33-2019
	UL307B

Product information provided is not complete and is subject to change without notice. Product installation must adhere strictly to instructions accompanying product to avoid risk of fire and potential injury.

**HEAT & GLO®**

No one builds a better fire

Heat & Glo — A Brand of Hearth & Home Technologies  
 7571 215th Street West | Lakeville, MN 55044  
 877-486-9123 | heatnglo.com