

# Installation Manual

## Installation & Appliance Set-Up

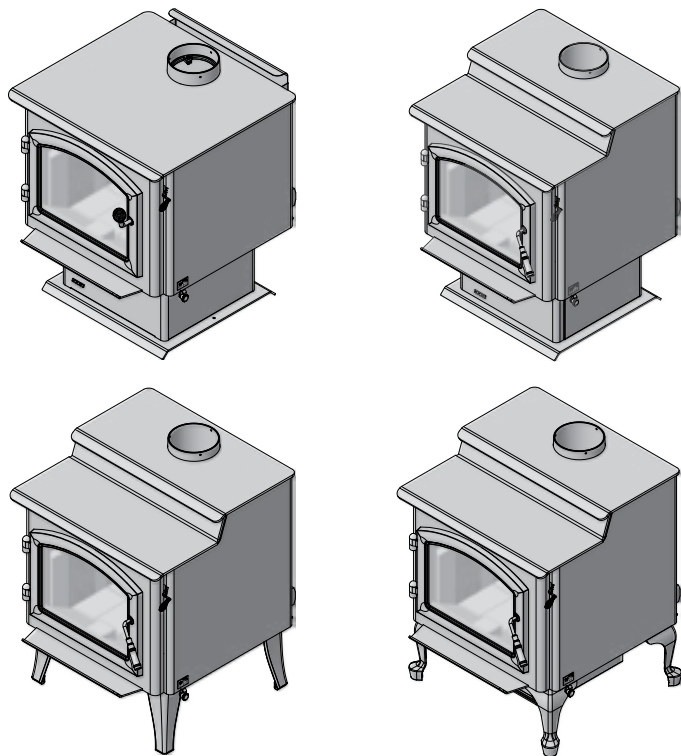
**INSTALLER:** Leave this manual with party responsible for use and operation.  
**OWNER:** Retain this manual for future reference.

**NOTICE: DO NOT DISCARD THIS MANUAL**

# QUADRA-FIRE®

**4300 SERIES  
WOOD APPLIANCES  
AUTOMATIC COMBUSTION  
CONTROL (ACC)**

**MODEL NUMBERS:  
43M-ACC-C  
43ST-ACC-C**



Installation and service of this appliance should be performed by qualified personnel. Hearth & Home Technologies recommends HHT Factory Trained or NFI certified professionals.

**hearthED**  
FACTORY TRAINING  
Fuel Your Fire

**NFI** NATIONAL  
FIREPLACE  
INSTITUTE®  
A CERTIFICATION AGENCY



### WARNING



If the information in these instructions is not followed exactly, a fire could result causing property damage, personal injury, or death.

- Do not store or use gasoline or other flammable vapors and liquids in the vicinity of this or any other appliance.
- Do not over fire - If appliance or chimney connector glows, you are over firing. Over firing will void your warranty.
- Comply with all minimum clearances to combustibles as specified.

Failure to comply may cause house fire.



### WARNING



#### HOT SURFACES!

Glass and other surfaces are hot during operation AND cool down.

**Hot glass and appliance will cause burns.**

- Do not touch glass until it is cooled
- Use leather gloves when reloading fuel
- NEVER allow children to touch glass
- Keep children away
- CAREFULLY SUPERVISE children in same room as appliance.
- Alert children and adults to hazards of high temperatures
- High temperatures may ignite clothing or other flammable materials.
- Keep clothing, furniture, draperies and other flammable materials away.



### WARNING



#### Fire Risk.

For use with solid wood fuel only.  
Other fuels may over fire and generate poisonous gases (i.e. carbon monoxide).

**NOTE:** To obtain a French translation of this manual, please contact your dealer or visit [www.quadrafire.com](http://www.quadrafire.com)

**REMARQUE :** Pour obtenir une traduction française de ce manuel, s'il vous plaît contacter votre revendeur ou visitez [www.quadrafire.com](http://www.quadrafire.com)

## Safety Alert Key:



- **DANGER!** Indicates a hazardous situation which, if not avoided will result in death or serious injury.
  - **WARNING!** Indicates a hazardous situation which, if not avoided could result in death or serious injury.
  - **CAUTION!** Indicates a hazardous situation which, if not avoided, could result in minor or moderate injury.
  - **NOTICE:** Indicates practices which may cause damage to the appliance or to property.
- 

## TABLE OF CONTENTS

<b>1 Important Safety Information</b>	<b>5 Appliance Set-Up</b>
→ A. Appliance Safety Certification ..... 3	A. Pedestal Assembly & ARS Installation ..... 21
B. Appliance Emissions Certification ..... 3	B. Access Cover Handle ..... 23
C. BTU & Efficiency Specifications..... 3	C. Leg Kit & ARS Installation ..... 23
D. Mobile Home Approved..... 4	D. Traditional Leg Installation ..... 25
E. Glass Specifications..... 4	E. Outside Air Kit Installation ..... 26
F. Non-Combustible Materials ..... 4	F. Door Handle Assembly ..... 27
G. Combustible Materials ..... 4	G. Blower (Optional) ..... 28
H. Sleeping Room ..... 4	<b>6 Mobile Home Installation</b> .....29
I. California - Prop65..... 4	<b>7 Reference Materials</b>
<b>2 Getting Started</b>	A. Service & Maintenance Log ..... 30
A. Design and Installation Considerations..... 5	B. 4300 Millennium Accessories ..... 34
B. Fire Safety..... 5	C. 4300 Step Top Accessories ..... 35
C. Negative Pressure ..... 5	
D. Tools And Supplies Needed ..... 6	
E. Inspection of Appliance and Components..... 6	
F. Removal of Appliance from Shipping Materials ..... 7	
G. Install Checklist..... 8	
<b>3 Dimensions and Clearances</b>	
A. Appliance Dimensions..... 9	
B. Hearth Protection Requirements..... 13	
C. Clearances to Combustibles ..... 15	
<b>4 Chimney Systems</b>	
A. Locating Your Appliance & Chimney ..... 16	
B. Chimney Termination Requirements ..... 17	
C. 2-10-3 Rule ..... 17	
D. Chimney Height / Rise and Run..... 18	
E. Venting Components..... 18	
F. Chimney Systems..... 18	
G. Installing Chimney Components ..... 20	
H. Proper Draft ..... 20	

→ = Contains updated information

# 1 Important Safety Information

## A. Appliance Safety Certification

<b>Model:</b>	43M-ACC-C & 43ST-ACC-C
<b>Laboratory:</b>	OMNI Test Laboratories, Inc.
<b>Report Number:</b>	0061WS067S
<b>Type:</b>	Listed Room Appliance, Solid Fuel Type
<b>Standard:</b>	UL1482, ULC S627-00 and (UM) 84-HUD, Mobile Home Approved.

## B. Appliance Emissions Certification

<b>Model:</b>	43M-ACC-C & 43ST-ACC-C
<b>Laboratory:</b>	PFS-TECO
<b>Report Number:</b>	19-538
<b>Standard:</b>	Method 28 and 5G, and ASTM E2515
<b>Can be found at:</b>	<a href="http://www.quadrafire.com/about-us/epa-certification">www.quadrafire.com/about-us/epa-certification</a>

## C. BTU & Efficiency Specifications

<b>EPA Certification Number:</b>	Number: N/A
<b>EPA Certified Emissions:</b>	1.6 grams per hour
<b>*LHV Tested Efficiency:</b>	80.2%
<b>**HHV Tested Efficiency:</b>	74.2%
<b>***EPA BTU Output:</b>	13,200 to 36,800 / hr.
<b>****Peak BTU/Hour Output:</b>	61,700
<b>Vent Size:</b>	6 inches
<b>Firebox Size:</b>	2.26 cubic feet
<b>Recommended Log Length</b>	18 inches
<b>Fuel:</b>	Seasoned Cordwood (20% moisture)
* Weighted average LHV (Low Heating Value) efficiency using Douglas Fir dimensional lumber and data collected during EPA emission tests in accordance with the requirements of CSA B415.1. LHV assumes the moisture is already in a vapor state so there is no loss in energy to vaporize.	
** Weighted average HHV (High Heating Value) efficiency using Douglas Fir dimensional lumber and data collected during EPA emission tests in accordance with the requirements of CSA B415.1. HHV includes the energy required to vaporize the water in the fuel.	
*** A range of BTU outputs calculated using HHV Efficiency and the burn rates from the EPA tests, using Douglas Fir dimensional lumber.	
**** A peak BTU out of the appliance calculated using the maximum first hour burn rate from the High EPA Test and BTU content of seasoned cordwood (8600) times the efficiency.	

The 43M-ACC-C & 43ST-ACC-C are Certified to comply with 2020 crib wood particulate emission standards.



This wood appliance needs periodic inspection and repair for proper operation. Consult the owner's manual for further information. It is against federal regulations to operate this wood heater in a manner inconsistent with the operating instructions in the owner's manual.

**NOTE:** This installation must conform with local codes. In the absence of local codes you must comply with **(UM) 84-HUD and NFPA211 in the U.S.A. and CAN/CSA-B365 Installation Codes in Canada.**

## D. Mobile Home Approved

- This appliance is approved for mobile home installations; when not installed in a sleeping room and when an outside combustion air inlet is provided.
- The structural integrity of the mobile home floor, ceiling, and walls must be maintained.
- The appliance must be properly grounded to the frame of the mobile home with #8 copper ground wire, and chimney must be listed to **UL103 HT or a listed UL-1777** full length six inch (152mm) diameter liner must be used.
- Outside Air Kit, part OAK-ACC must be installed in a mobile home installation.

## E. Glass Specifications

This appliance is equipped with 5mm ceramic glass. Replace glass only with 5mm ceramic glass. Please contact your dealer for replacement glass.

## F. Non-Combustible Materials

Material which will not ignite and burn, composed of any combination of the following:

- Steel
- Plaster
- Brick
- Iron
- Concrete
- Tile
- Glass
- Slate

Materials reported as passing **ASTM E 136, Standard Test Method for Behavior of Metals, in a Vertical Tube Furnace of 750° C.**

## G. Combustible Materials

Material made of/or surfaced with any of the following materials:

- Wood
- Compressed Paper
- Plant Fibers
- Plastic
- Plywood/OSB
- Sheet Rock (drywall)

Any material that can ignite and burn: flame proofed or not, plastered or non-plastered.

## H. Sleeping Room

When installed in a sleeping room it is recommended that a smoke and/or CO alarm be installed in the bedroom. The size of the room must be at least 50ft<sup>3</sup> per 1,000 Btu/hr stove input, if the stove exceeds the room size, outside air must be installed.

## I. California - Prop65

### **WARNING**

This product and the fuels used to operate this product (wood), and the products of combustion of such fuels, can expose you to chemicals including carbon black, which is known to the State of California to cause cancer, and carbon monoxide, which is known to the State of California to cause birth defects or other reproductive harm. For more information go to: [WWW.P65Warnings.ca.gov](http://WWW.P65Warnings.ca.gov)



### **WARNING**



#### **Fire Risk**

Hearth & Home Technologies disclaims any responsibility for, and the warranty will be voided by, the following actions:

- Installation and use of any damaged appliance.
  - Modification of the appliance.
  - Installation other than as instructed by Hearth & Home Technologies.
  - Installation and/or use of any component part not approved by Hearth & Home Technologies.
  - Operating appliance without fully assembling all components.
  - Operating appliance without legs attached (if supplied with appliance).
  - Do NOT Over fire - If appliance or chimney connector glows, you are over firing.
- Any such action that may cause a fire hazard.

Improper installation, adjustment, alteration, service or maintenance can cause injury or property damage.

For assistance or additional information, consult a qualified installer, service agency or your dealer.

**NOTE:** Hearth & Home Technologies, manufacturer of this appliance, reserves the right to alter its products, their specifications and/or price without notice.

Hearth & Home Technologies WILL NOT warranty appliances that exhibit evidence of over-firing. Evidence of over-firing includes, but is not limited to:

- Warped air tube
- Deteriorated refractory brick retainers
- Deteriorated baffle and other interior components

# Install Guide

## 2 Getting Started

### A. Design and Installation Considerations


Consideration must be given to:


- Safety
- Convenience
- Traffic flow
- Chimney and chimney connector required

It is a good idea to plan your installation on paper, using exact measurements for clearances and floor protection, before actually beginning the installation. If you are not using an existing chimney, place the appliance where there will be a clear passage for a factory-built listed chimney through the ceiling and roof.

We recommend that a qualified building inspector and your insurance company representative review your plans before and after installation.

If this appliance is in an area where children may be near it is recommended that you purchase a decorative barrier to go in front of the appliance. Remember to always keep children away while it is operating and do not let anyone operate this appliance unless they are familiar with these operating instructions.

 <b>CAUTION</b>
<b>Check building codes prior to installation.</b> <ul style="list-style-type: none"><li>• Installation <b>MUST</b> comply with local, regional, state and national codes and regulations.</li><li>• Consult insurance carrier, local building, fire officials or authorities having jurisdiction about restrictions, installation inspection, and permits.</li></ul>

 <b>WARNING</b>
<b>Asphyxiation Risk.</b> <ul style="list-style-type: none"><li>• Do <b>NOT</b> connect this appliance to a chimney flue servicing another appliance.</li><li>• Do <b>NOT</b> connect to any air distribution duct or system.</li></ul> May allow flue gases to enter the house.


<b>NOTICE:</b> Hearth & Home Technologies assumes no responsibility for the improper performance of the appliance system caused by: <ul style="list-style-type: none"><li>• Inadequate draft due to environmental conditions</li><li>• Down drafts</li><li>• Tight sealing construction of the structure</li><li>• Mechanical exhausting devices</li><li>• Over drafting caused by excessive chimney heights</li><li>• Ideal performance is with height of chimney between 14-16 feet (4.26-4.88m) measured from the base of the appliance.</li></ul>
---

### B. Fire Safety

To provide reasonable fire safety, the following should be given serious consideration:

1. Install at least one smoke detector on each floor of your home to ensure your safety. They should be located away from the heating appliance and close to the sleeping areas. Follow the smoke detector manufacturer's placement and installation instructions, and be sure to maintain regularly.
2. A conveniently located Class A fire extinguisher to contend with small fires resulting from burning embers.
3. A CO detector should be installed in the room with the appliance.
4. A practiced evacuation plan, consisting of at least two escape routes.
5. A plan to deal with a chimney fire as follows:
  - In the event of a chimney fire:
    - Evacuate the house immediately
    - Notify fire department.

### C. Negative Pressure

 <b>WARNING</b>
<b>Asphyxiation Risk.</b> <ul style="list-style-type: none"><li>• Negative pressure can cause spillage of combustion fumes, soot and carbon monoxide.</li><li>• Appliance needs to draft properly for safety.</li></ul>

Negative pressure results from the imbalance of air available for the appliance to operate properly. It can be strongest in lower levels of the house.

Causes include:

- Exhaust fans (kitchen, bath, etc.)
- Range hoods
- Combustion air requirements for furnaces, water appliances and other combustion appliances
- Clothes dryers
- Location of return-air vents to furnace or air conditioning
- Imbalances of the HVAC air handling system
- Upper level air leaks such as:
  - Recessed lighting
  - Attic hatch
  - Duct leaks

To minimize the effects of negative air pressure:

- Install optional outside air kit with the intake facing prevailing winds during the heating season
- Ensure adequate outdoor air for all combustion appliances and exhaust equipment
- Ensure furnace and air conditioning return vents are not located in the immediate vicinity of the appliance
- Avoid installing the appliance near doors, walkways or small isolated spaces
- Recessed lighting should be a “sealed can” design
- Attic hatches weather stripped or sealed
- Attic mounted duct work and air handler joints and seams taped or sealed
- Basement installations should be avoided

## E. Inspection of Appliance and Components

- Remove appliance and components from packaging and inspect for damage.
- Report to your dealer any parts damaged in shipment.
- **Read all the instructions before starting the installation. Follow these instructions carefully during the installation to ensure maximum safety and benefit.**

	<b>WARNING</b>
	<p><b>Fire Risk.</b> Hearth &amp; Home Technologies disclaims any responsibility for, and the warranty will be voided by, the following actions:</p> <ul style="list-style-type: none"><li>• Installation and use of any damaged appliance.</li><li>• Modification of the appliance.</li><li>• Installation other than as instructed by Hearth &amp; Home Technologies.</li><li>• Installation and/or use of any component part not approved by Hearth &amp; Home Technologies.</li><li>• Operating appliance without fully assembling all components.</li><li>• Operating appliance without legs attached (if supplied with appliance).</li><li>• <u>Do NOT Over fire</u> - If appliance or chimney connector glows, you are over firing.</li></ul> <p><b>Any such action that may cause a fire hazard.</b></p>



## D. Tools And Supplies Needed

Before beginning the installation be sure the following tools and building supplies are available:

- Reciprocating saw
- Framing material
- Pliers
- High temp caulking material
- Hammer
- Gloves
- Phillips screwdriver
- Framing square
- Flat blade screwdriver
- Electric drill and bits
- Plumb line
- Safety glasses
- Level
- Tape measure
- Miscellaneous screws and nails
- 7/16 socket or wrench

1/2-3/4 in. length, #6 or #8 self-drilling screws

## F. Removal of Appliance from Shipping Materials

	<b>WARNING</b>
	<b>Fire Risk.</b>
	Inspect appliance and components for damage. Damaged parts may impair safe operation.
	<ul style="list-style-type: none"><li>• Do NOT install damaged components.</li><li>• Do NOT install incomplete components.</li><li>• Do NOT install substitute components.</li></ul>
	Report damaged parts to dealer.

### Millennium:

1. Remove box and 2x4 structural boards being careful not to damage product.
2. Using 7/16 inch socket or wrench remove one bolt located inside front part of appliance (**Figure 7.1**).
3. Moving to the back of the appliance and using 7/16 inch socket or wrench remove two bolts (**Figure 7.1**).
4. Carefully pull appliance off of pallet and put in desired location following Hearth Pad on [page 13](#) and Clearance to Combustibles on [page 15](#).

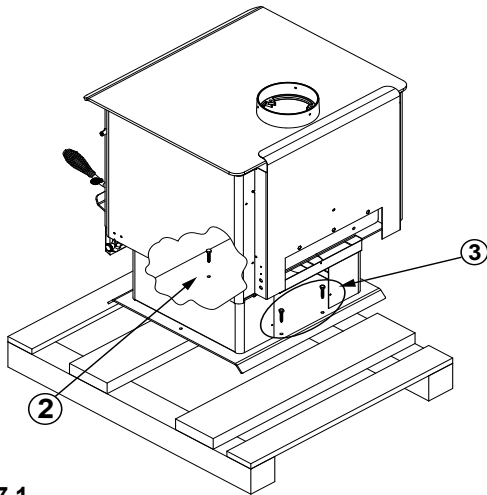


Figure 7.1

### Step Top:

1. Remove box and 2x4 structural boards being careful not to damage product.
2. Using 7/16 inch socket or wrench, remove and discard the two lag bolts from mounting brackets; one on each side, that is attaching the appliance to the pallet (**Figure 7.2**).
3. Carefully pull appliance off of pallet and lay appliance on back side on a protective surface.
4. Reference **Appliance Set-Up** on [page 21](#) for ash removal system, leg or pedestal attachment options.
5. After appliance is completely assembled place in desired location following Hearth Pad on [page 14](#) and Clearance to Combustibles on [page 15](#).

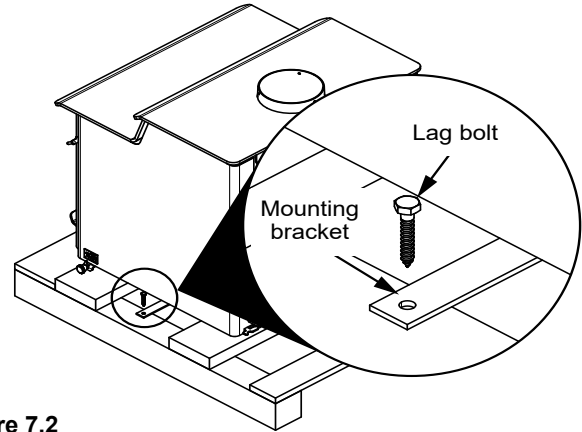


Figure 7.2

## G. Install Checklist

### ATTENTION INSTALLER: Follow this Standard Work Checklist

This standard work checklist is to be used by the installer in conjunction with, not instead of, the instructions contained in this installation manual.

Customer: \_\_\_\_\_  
 Date Installed: \_\_\_\_\_  
 Lot / Address: \_\_\_\_\_  
 Location of Appliance: \_\_\_\_\_  
 Installer: \_\_\_\_\_  
 Dealer / Distributor Phone #: \_\_\_\_\_  
 Serial #: \_\_\_\_\_  
 Model: \_\_\_\_\_

**WARNING! Risk of Fire or Explosion!** Failure to install appliance according to these instructions can lead to a fire or explosion.

#### **Appliance Install**

Verified clearances to combustibles.  
 Appliance is leveled and connector is secured to appliance.  
 Hearth extension size/height decided.  
 Outside air kit installed.  
 Floor protection requirements have been met.  
 If appliance is connected to a masonry chimney, it should be cleaned and inspected by a professional. If installed to a factory built metal chimney, the chimney must be installed according to the manufacturer's instructions and clearances.

YES	IF NO, WHY?
<input type="checkbox"/>	_____
<input type="checkbox"/>	_____
<input type="checkbox"/>	_____
<input type="checkbox"/>	_____
<input type="checkbox"/>	_____

#### **Chimney**

Chimney configuration complies with diagrams.  
 Chimney installed, locked and secured in place with proper clearance.  
 Chimney meets recommended height requirements (14-16 feet).  
 Roof flashing installed and sealed.  
 Terminations installed and sealed.

<input type="checkbox"/>	_____
<input type="checkbox"/>	_____
<input type="checkbox"/>	_____
<input type="checkbox"/>	_____

#### **Clearances**

Combustible materials not installed in non-combustible areas.  
 Verified all clearances meet installation manual requirements.  
 Mantels and wall projections comply with installation manual requirements.  
 Protective hearth strips and hearth extension installed per manual requirements.

<input type="checkbox"/>	_____
<input type="checkbox"/>	_____
<input type="checkbox"/>	_____
<input type="checkbox"/>	_____

#### **Appliance Setup**

All packaging and protective materials removed.  
 Firebrick, baffle and ceramic blanket installed correctly.  
 All labels have been removed from the door.  
 All packaging materials are removed from inside/under the appliance.  
 Manual bag and all of its contents are removed from inside/under the appliance and given to the party responsible for use and operation.

<input type="checkbox"/>	_____
<input type="checkbox"/>	_____
<input type="checkbox"/>	_____
<input type="checkbox"/>	_____

Hearth & Home Technologies recommends the following:

- Photographing the installation and copying this checklist for your file.
- That this checklist remain visible at all times on the appliance until the installation is complete.

Comments: Further description of the issues, who is responsible (Installer/Builder/Other Trades, etc.) and corrective action needed:  
 Comments communicated to party responsible \_\_\_\_\_ by \_\_\_\_\_ on \_\_\_\_\_  
(Builder / Gen. Contractor) (Installer) (Date)



# 3 Dimensions and Clearances

## A. Appliance Dimensions

**NOTE:** Flue Collar size is 6 inch (152mm) diameter (ID)

### 43M-ACC-C

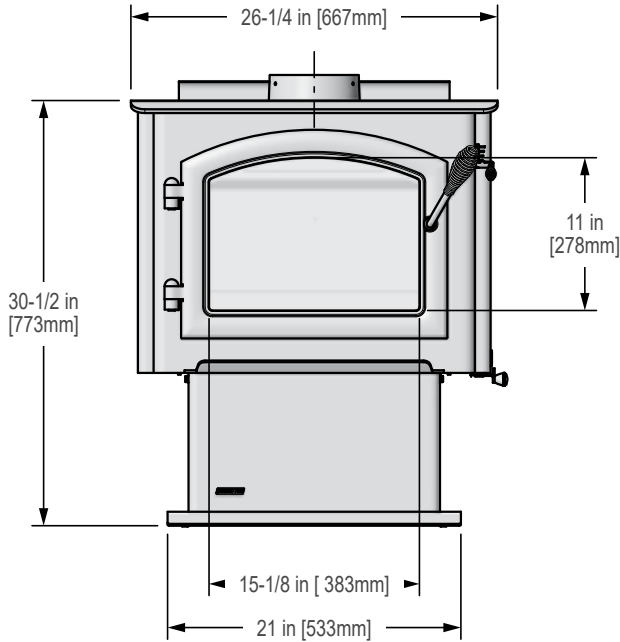


Figure 9.1 - Front View

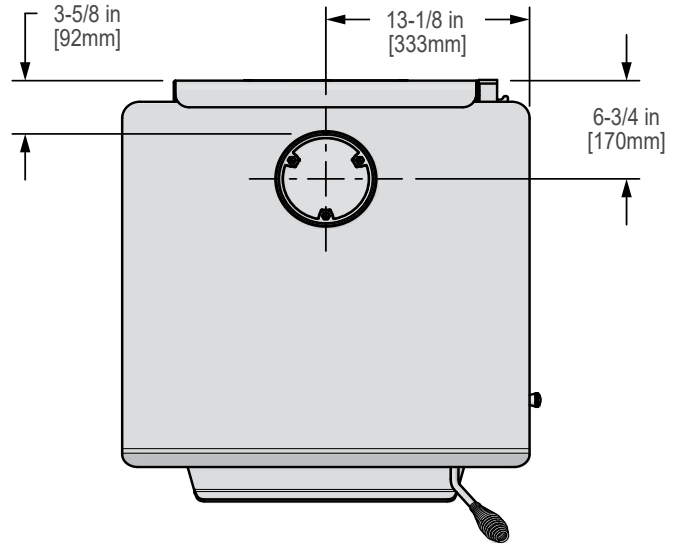


Figure 9.3 - Top View

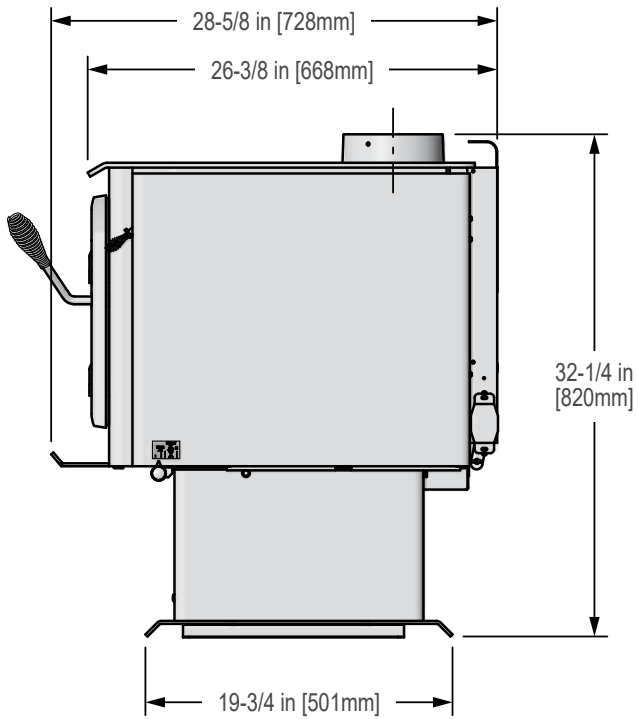


Figure 9.2 - Side View

## 43ST-ACC-C WITH PED-KIT-43 (PEDESTAL KIT)

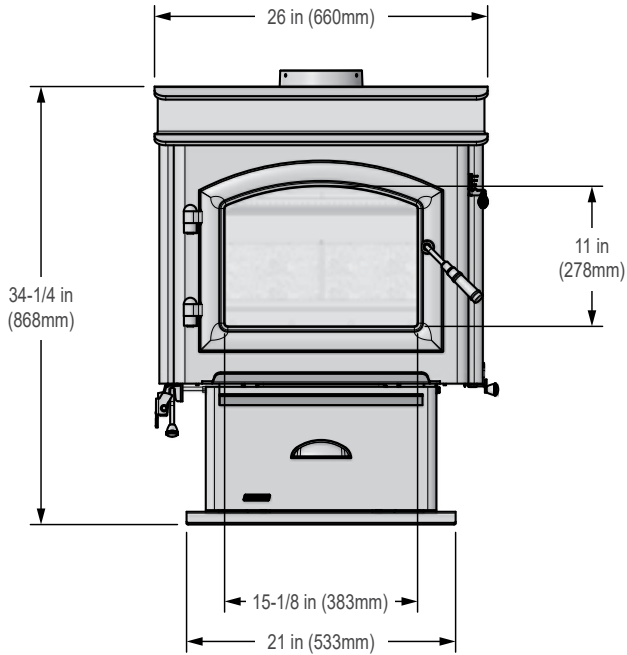


Figure 10.1 - Front View

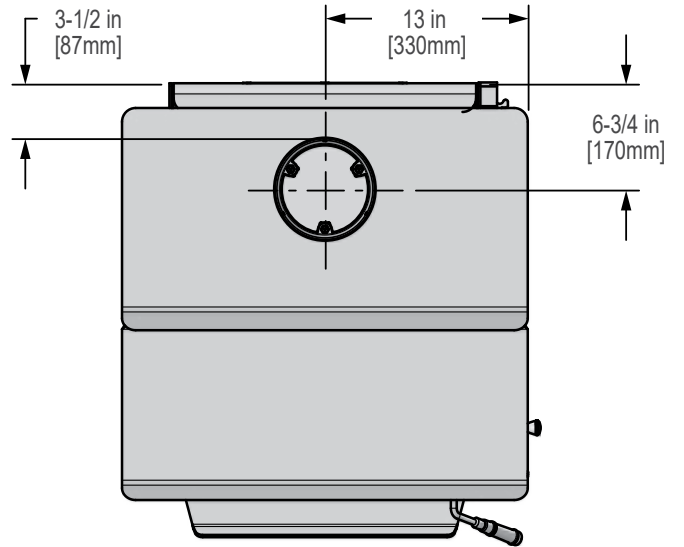


Figure 10.3 - Top View

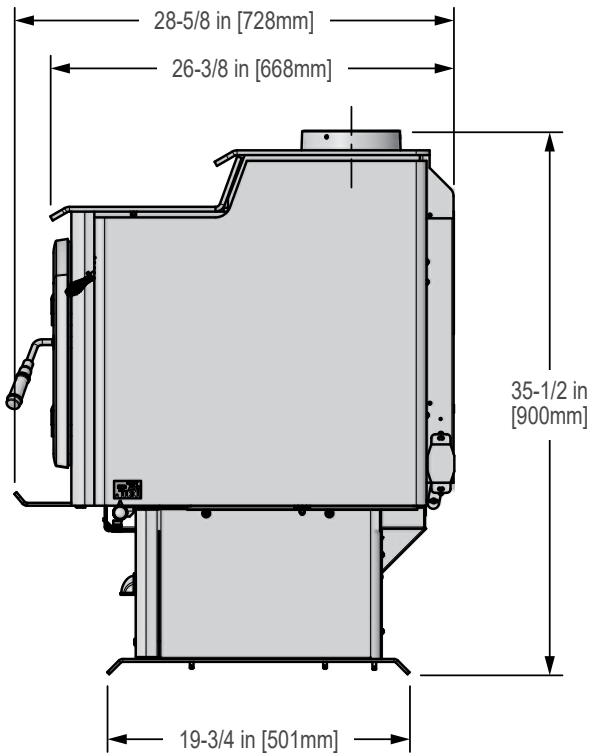


Figure 10.2 - Side View

# 43ST-ACC-C WITH LEG-KIT-BK OR LEG-KIT-NL (QUEEN ANNE LEG KIT)

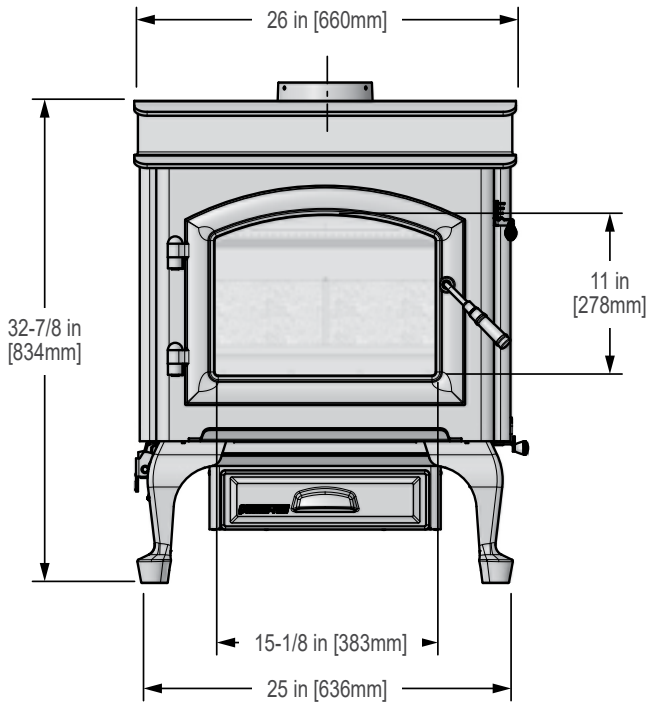


Figure 11.1 - Front View

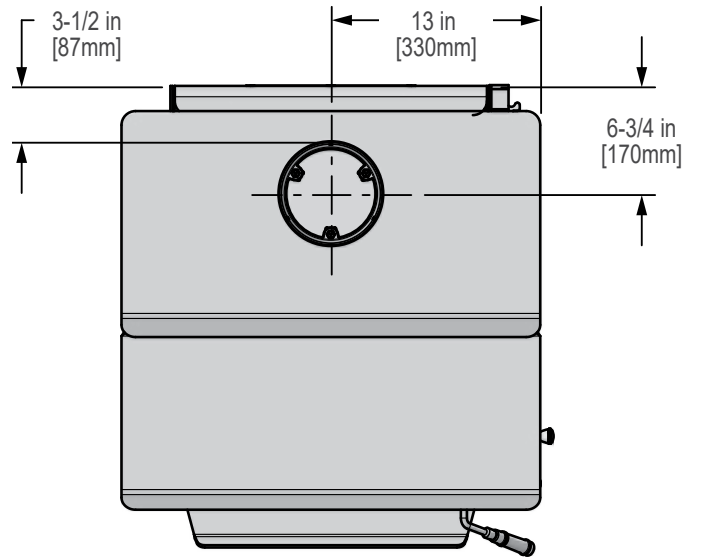


Figure 11.3 - Top View

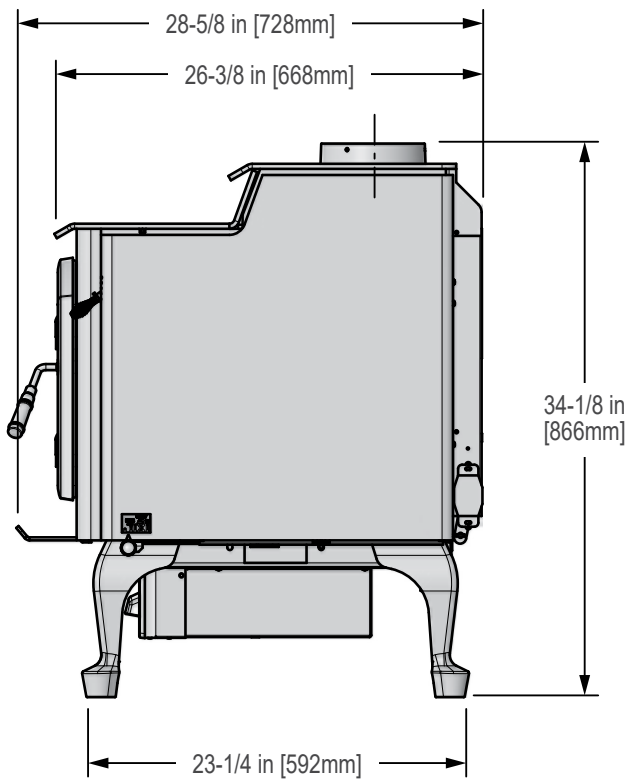


Figure 11.2 - Side View

## 43ST-ACC-C WITH TRAD-LEG-BK (TRADITIONAL LEG KIT)

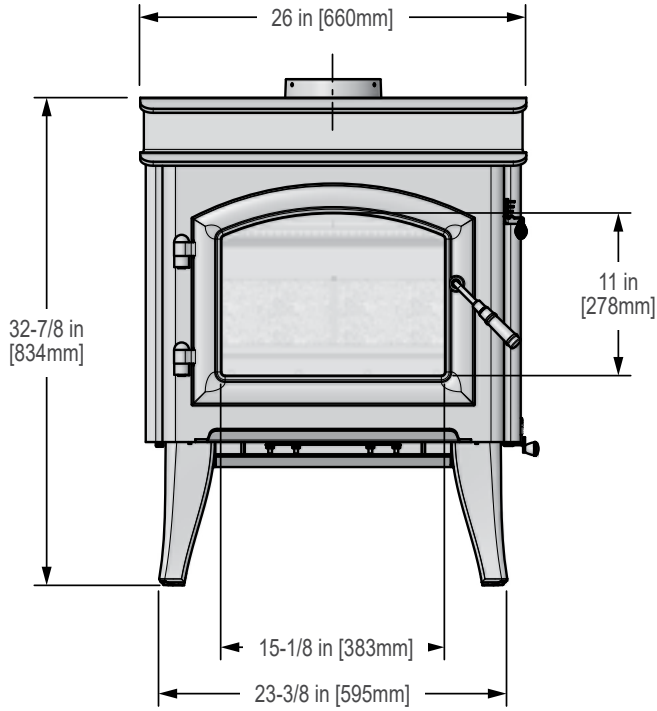


Figure 12.1 - Front View

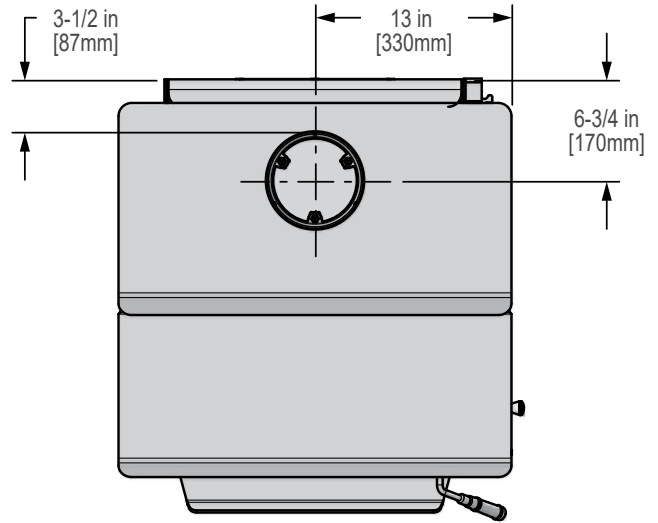


Figure 12.3 - Top View

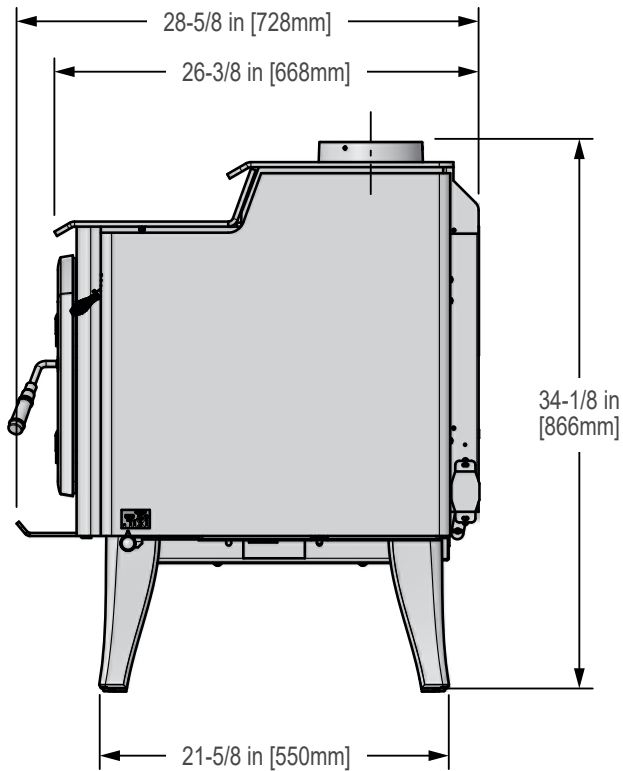


Figure 12.2 - Side View

## B. Hearth Protection Requirements

**EMBER PROTECTION:** Ember protection shall be either a Type 1 floor protector or made of non-combustible material to the requirements below.

Floor protector must be non-combustible material, extending beneath appliance with a minimum of 16 inches (406mm) in front of glass and 8 inches (203mm) to both sides of the fuel loading door. Open the door and measure 8 inches (203mm) from the side edge of the opening in the face of the appliance.

**\*See exception.**

**In Canada,** similar floor protection must be provided 18 inches (457mm) in front and 8 inches (203mm) from the sides and rear of the appliance unless the hearth pad is placed against the wall (**for 43M-ACC-C see Figure 13.2 on page 13 or for 43ST-ACC-C see 14.2 on page 14**). Then the clearance may be reduced using double wall pipe and the Clearance to Combustibles table listed on **page 15**.

**\*Exception:** Non-combustible floor protector must extend beneath the flue pipe when installed with horizontal venting and extend 2 inches (51mm) beyond each side (**for 43M-ACC-C see Figure 13.2 on page 13 or for 43ST-ACC-C see 14.2 on page 14**).

### 43M-ACC-C

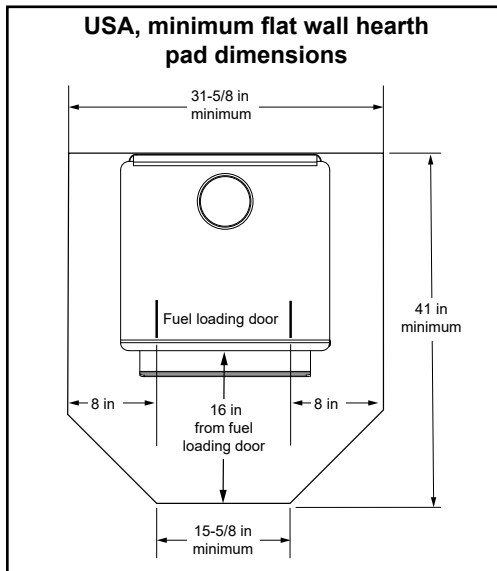


Figure 13.1

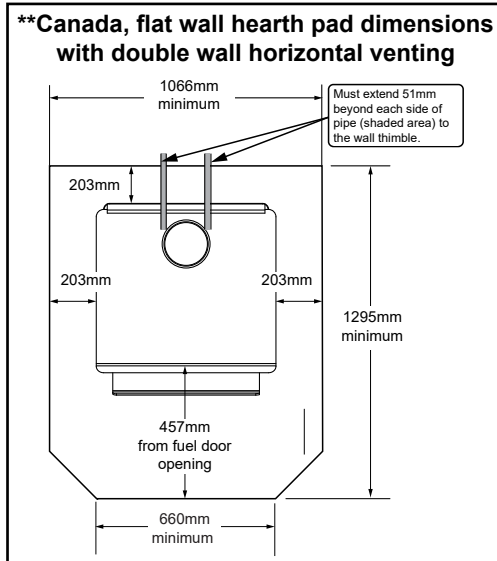


Figure 13.2 - \*\*These dimensions will vary depending installation.



## CAUTION

Hearth and Home Technologies does not recommend adhesive based vinyl flooring due to thermal expansion. Floating-style flooring (LVP - luxury vinyl plank or LVT – luxury vinyl tile) can be used, but it will reach temperatures up to 110 °F in a room with ambient temperature of 70 °F. Consult flooring specifications to ensure compatibility.

When using LVP/LVT flooring, HHT Recommends wood stove and inserts have 57 inches of alternative flooring in front of the stove or insert before using LVP/LVT. Whether the stove or insert sits flush on the floor or is elevated on a raised hearth, 57 inches of alternative flooring is required in front of the stove or insert.

For all other flooring, continue to follow clearance to combustible requirements in the installation manual.

**NOTICE:** Clearances that do not meet the minimum guidelines could result in damage or buckling to the vinyl flooring and is done at the installer's risk.



## WARNING



### Fire Risk.

Hearth pads must be installed exactly as specified. High temperatures or hot embers may ignite concealed combustibles.

### Corner hearth pad dimensions with single wall pipe

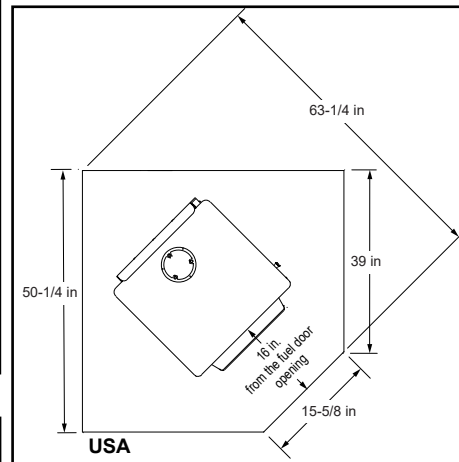


Figure 13.3

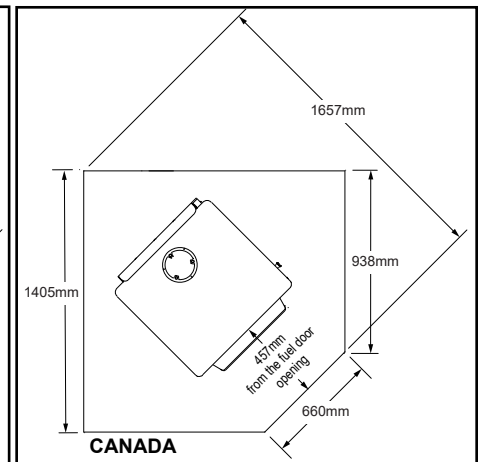


Figure 13.5

### Corner hearth pad dimensions with double wall pipe

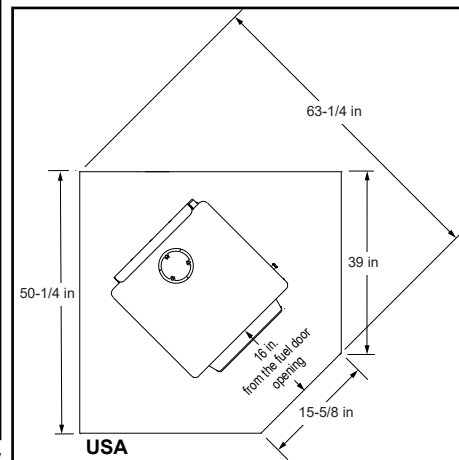


Figure 13.4

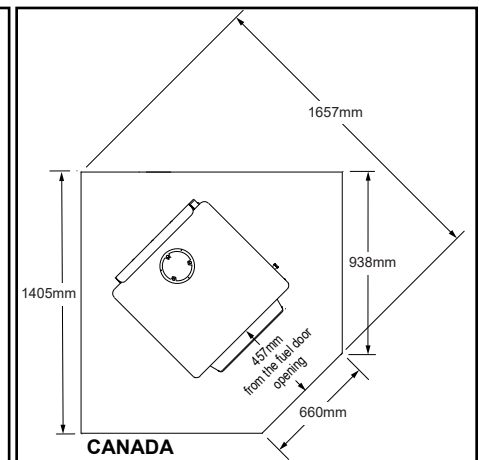


Figure 13.6

# 43ST-ACC-C

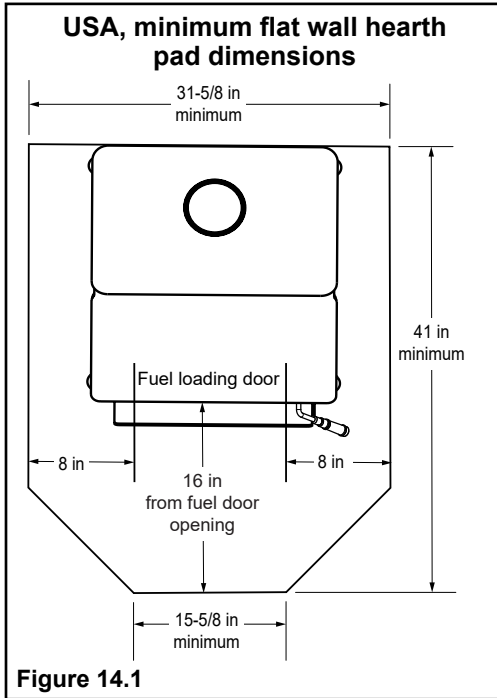


Figure 14.1

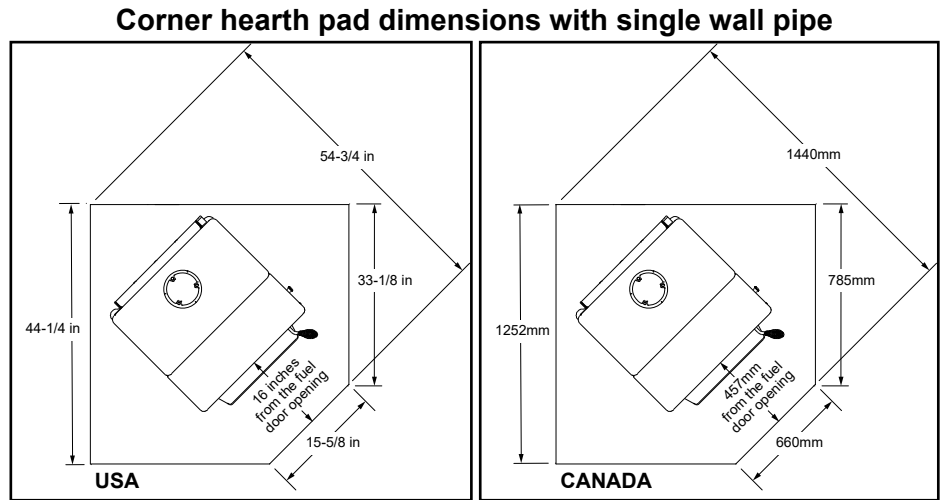


Figure 14.3

Figure 14.5

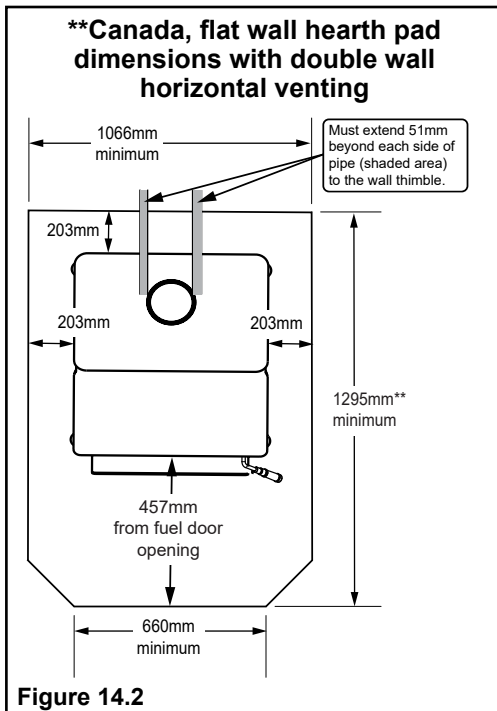


Figure 14.2

\*\*These dimensions will vary depending installation.

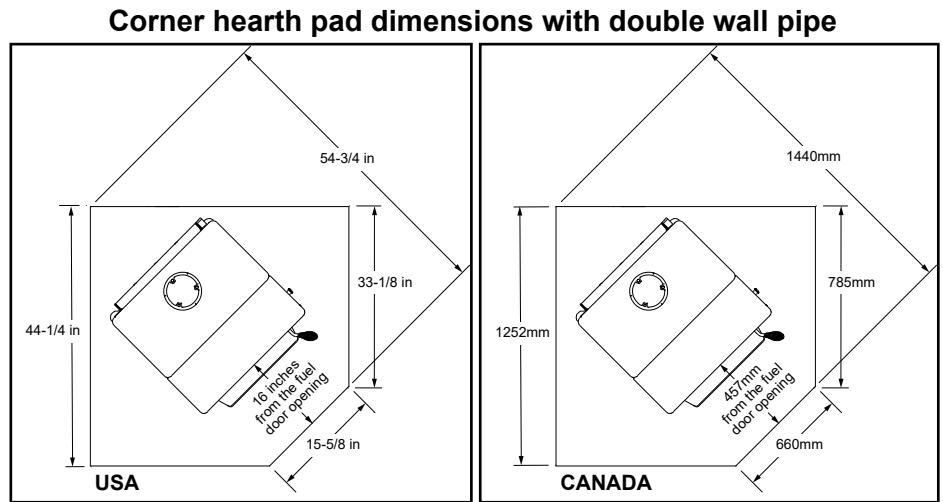


Figure 14.4

Figure 14.6

## C. Clearances to Combustibles

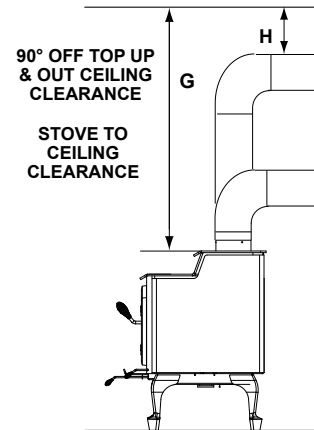
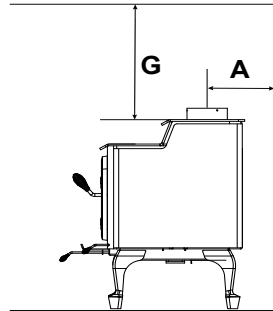
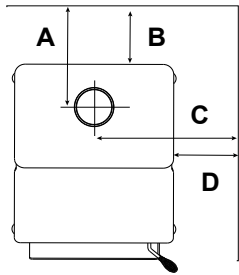
**Note:** If mantle clearance specifications are not listed or to reduce mantle clearances you can follow NFPA211 regulations to assure safe installation of this product. Please consult with your local building inspector before attempting any clearance reductions.

MINIMUM CLEARANCES TO COMBUSTIBLE MATERIALS in inches (Millimeters)								
NOTE: A, C, and F Dimensions are to the center of the flue collar								
43M-ACC-C AND 43ST-ACC-C WOOD APPLIANCE (2020)								
	A	B	C	D	E	F	G	H
<b>INSTALLATION: FULL VERTICAL OR HORIZONTAL WITH MINIMUM 2 FOOT VERTICAL OFF STOVE TOP</b>								
<b>SINGLE WALL PIPE</b>								
43M-ACC-C	18-1/2 (470)	11-3/4 (298)	27-1/2 (699)	14-1/2 (368)	8 (203)	20-1/2 (521)	53-1/2 (1359)	12 (305)
43ST-ACC-C	18-1/2 (470)	11-3/4 (298)	27-1/2 (699)	14-1/2 (368)	2-1/2 (64)	15 (381)	49-1/2 (1257)	12 (305)
<b>DOUBLE WALL PIPE</b>								
43M-ACC-C	12 (305)	5-1/4 (133)	27-1/2 (699)	14-1/2 (368)	8 (203)	20-1/2 (521)	53-1/2 (1359)	12 (305)
43ST-ACC-C	10-1/2 (267)	3-3/4 (95)	25 (635)	12 (305)	2-1/2 (64)	15 (381)	49-1/2 (1257)	5 (127)
<b>INSTALLATION: 90 DEGREE ELBOW OFF TOP OF APPLIANCE THROUGH BACKWALL</b>								
<b>DOUBLE WALL PIPE</b>								
43M-ACC-C	11-1/2 (292)	4-3/4 (121)	27-1/2 (699)	14-1/2 (368)	8 (203)	20-1/2 (521)	53-1/2 (1359)	N/A
43ST-ACC-C	10-1/2 (267)	3-3/4 (95)	22 (559)	9 (229)	2-1/2 (64)	15 (381)	49-1/2 (1257)	N/A
<b>INSTALLATION: ALCOVE</b>								
<b>DOUBLE WALL PIPE</b>								
43M-ACC-C	16 (406)	9-3/8 (238)	27 (686)	13-7/8 (352)	N/A	N/A	53-1/2 (1359)	12 (305)
43ST-ACC-C	10-1/2 (267)	3-3/4 (95)	25 (635)	12 (305)	N/A	N/A	49-1/2 (1257)	5 (127)
For alcove only: Six inch diameter listed Double wall air insulated connector pipe with UL103 HT listed factory built Class A chimney or masonry chimney. Maximum depth of Alcove shall be no more than 48 inches (1219mm) and the referenced alcove clearances. Canada must comply with CAN/ULC-S269 M87 for the 650° factory built chimney.								
* FOLLOW PIPE MANUFACTURES CLEARANCES AS REQUIRED								

Table 15.1

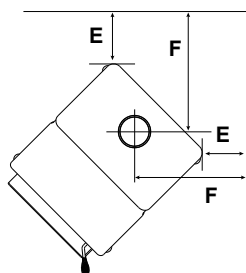
### BACKWALL / SIDEWALL

### ALCOVE SIDE VIEW

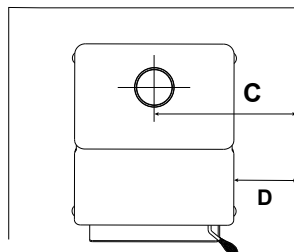


\* If H = N/A, follow Pipe Manufacturer's clearances

### CORNER INSTALLATION



### ALCOVE TOP VIEW



**NOTE:** Clearances may only be reduced by means approved by the regulatory authority having jurisdiction

### NOTE: Service Space

In order to replace the tube channel assembly a clearance of 19 inches (483mm) is required on the right side of appliance in order to remove the tubes with the appliance in place. If space is not available, the appliance will have to be disconnected from the chimney to proceed with the tube replacement.



### WARNING



#### Fire Risk.

- Comply with all minimum clearances to combustibles as specified.
- Failure to comply may cause house fire.

# 4 Chimney Systems

## A. Locating Your Appliance & Chimney

Location of the appliance and chimney will affect performance. As shown in **Figure 16.1** the chimney should:

- Install through the warm space enclosed by the building envelope. This helps to produce more draft, especially during lighting and die down of the fire.
- Penetrate the highest part of the roof. This minimizes the affects of wind turbulence and down drafts.

- Consider the appliance location in order to avoid floor and ceiling attic joists and rafters.
  - Locate termination cap away from trees, adjacent structures, uneven roof lines and other obstructions.
- Your local dealer is the expert in your geographic area and can usually make suggestions or discover solutions that will easily correct your flue problem.

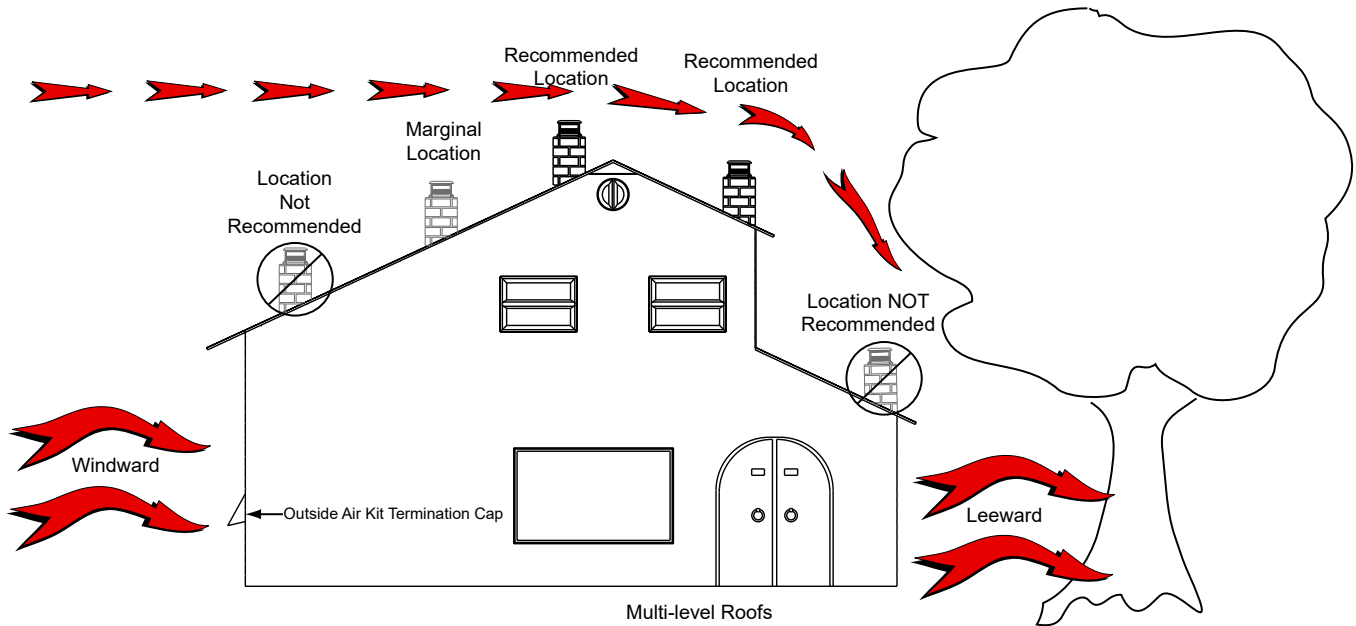


Figure 16.1



## B. Chimney Termination Requirements

Follow manufacturer's instructions for clearance, securing flashing and terminating the chimney (**Figure 17.1 and Figure 17.2**).

- Must have an approved and Listed cap
- Must not be located where it will become plugged by snow or other material
- Must terminate at least 3 feet (91cm) above the roof **and** at least 2 feet (61cm) above any portion of the roof within 10 feet (305cm).
- Must be located away from trees or other structures

### NOTICE:

- Chimney performance may vary.
- Trees, buildings, roof lines and wind conditions affect performance.
- Chimney height may need adjustment if smoking or overdraft occurs.

**NOTICE:** Locating the appliance in a basement or in a location of considerable air movement can cause intermittent smoke spillage from appliance. Do not locate appliance near

- Frequently open doors
- Central heat outlets or returns

## C. 2-10-3 Rule

**These are safety requirements and are not meant to assure proper flue draft.**

This appliance is made with a 6 inch (152mm) diameter chimney connector as the flue collar on the appliance.

- Changing the diameter of the chimney can affect draft and cause poor performance.
- It is not recommended to use offsets and elbows at altitudes above 4000 feet above sea level and or when there are other factors that affect flue draft.

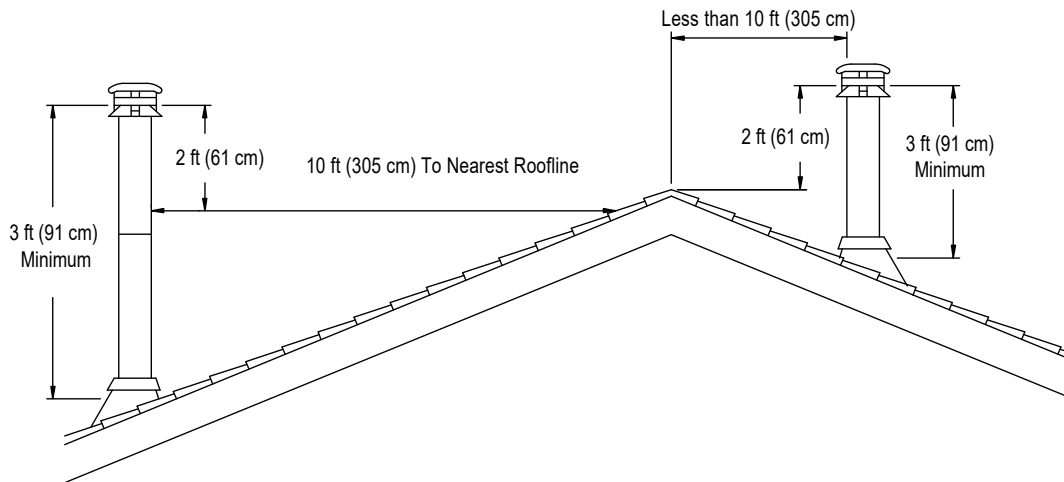


Figure 17.1

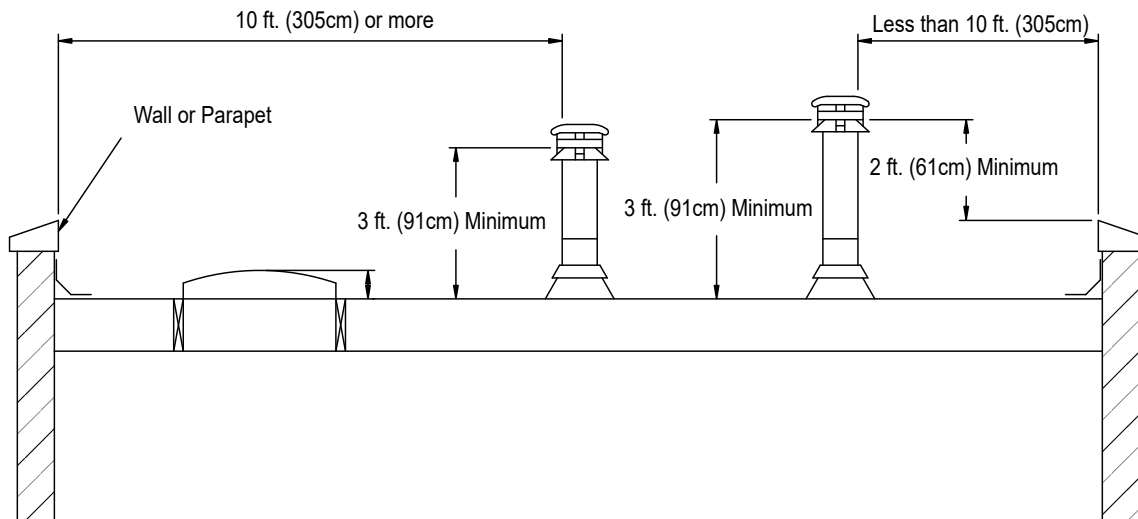






Figure 17.2


## D. Chimney Height / Rise and Run

This product was designed for and tested on a 6 inch (152mm) chimney, 14 to 16 feet (420-480cm) high, (includes appliance height) measured from the base of the appliance. The further your stack height or diameter varies from this configuration, the greater the likelihood it may affect performance.

Chimney height may need to be increased by 2 - 3% per each 1000 feet above sea level. It is not recommended to use offsets or elbows at altitudes above 4000 feet above sea level or when there are other factors that affect flue draft.

	<b>WARNING</b>
	<p><b>Fire Risk. Inspection of Chimney:</b></p> <ul style="list-style-type: none"> <li>Chimney must be in good condition.</li> <li>Meets minimum standard of <b>NFPA 211</b></li> <li>Factory-built chimney must be 6 inch (152mm) <b>UL103 HT</b>.</li> </ul>

	<b>WARNING</b>
	<p><b>Asphyxiation Risk.</b></p> <ul style="list-style-type: none"> <li>DO NOT CONNECT THIS Appliance TO A CHIMNEY FLUE SERVICING ANOTHER APPLIANCE.</li> <li>DO NOT CONNECT TO ANY AIR DISTRIBUTION DUCT OR SYSTEM.</li> </ul> <p>May allow flue gases to enter the house.</p>

	<b>WARNING</b>
<p>Improper installation, adjustment, alteration, service or maintenance can cause injury or property damage. Refer to the owner's information manual provided with this appliance. For assistance or additional information consult a qualified installer, service agency or your dealer.</p>	

## E. Venting Components

### Chimney Connector:

It is also known as flue pipe or appliance pipe. The chimney connector joins the appliance to the chimney. It must be a 6 inch (152mm) minimum diameter 24 gauge mild steel black or 26 gauge blued steel, or an approved air-insulated double wall venting pipe.

### Thimble:

A manufactured or site-constructed device installed in combustible walls through which the chimney connector passes to the chimney. It is intended to keep the walls from igniting. Site constructed thimbles must meet **NFPA 211 Standards**. Prefabricated must be suitable for use with selected chimney and meet **UL103 Type HT Standards**. Follow instructions provided by the manufacturer for manufactured thimbles for masonry chimney and prefabricated chimneys.

## Chimney:

The chimney can be new or existing, masonry or prefabricated and must meet the following minimum requirements and as specified in **Chimney Systems** on [page 18](#).

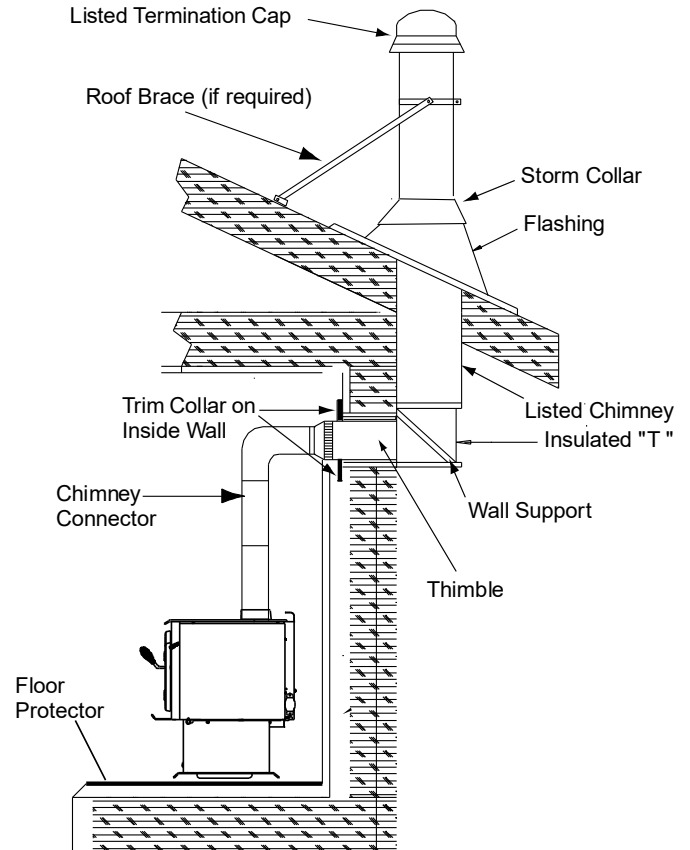


Figure 18.1 - Prefabricated Exterior Chimney

## F. Chimney Systems

### Prefabricated Metal Chimney

- Must be minimum 6 inch (152mm) diameter (ID) high temperature chimney listed to **UL 103 HT (2100°F)** or **ULC S629M**.
- Must use components required by the manufacturer for installation.
- Must maintain clearances required by the manufacturer for installation.
- Refer to manufacturers instructions for installation.

**NOTE: In Canada**, when using a factory-built chimney it must be safety listed, **Type UL103 HT (2100°F) CLASS "A"** or conforming to **CAN/ULC-S629M, STANDARD FOR 650°C FACTORY-BUILT CHIMNEYS**.

**Thimble**

Site constructed for masonry chimney installation:

**Components**

A minimum length of 12 inches [305mm] (longer for thicker walls) of solid insulated factory-built chimney length constructed to **UL 103 Type HT** 6 inch (152mm) inside diameter. Chimney needs to extend a minimum of 2 inches (51mm) from the interior wall and a minimum of 1 inch (25mm) from the exterior wall.

Wall spacer, trim collar and wall band to fit solid pack chimney selected.

Minimum 8 inch (203mm) diameter clay liner section (if not already present in chimney) and refractory mortar.

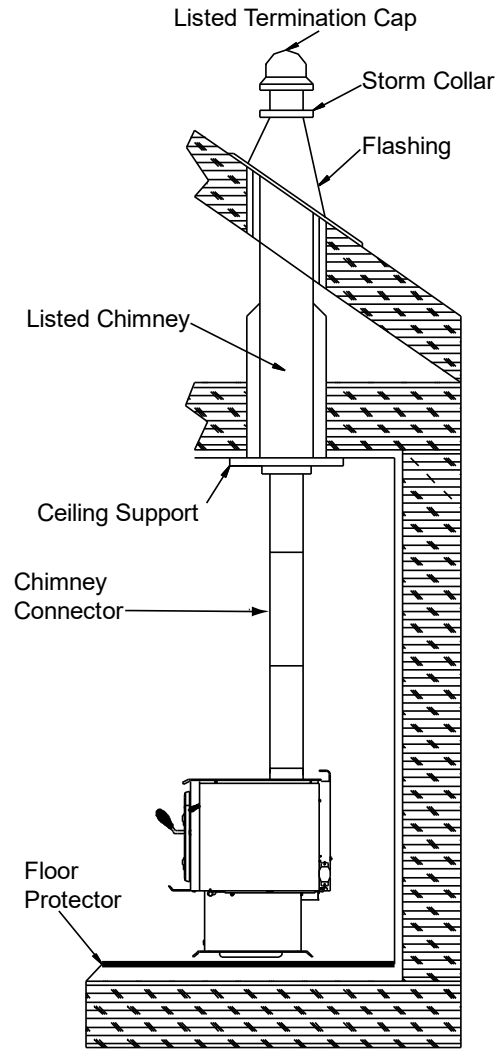
When jurisdiction requires install approved chimney liner in masonry chimney.

**Air Clearances**

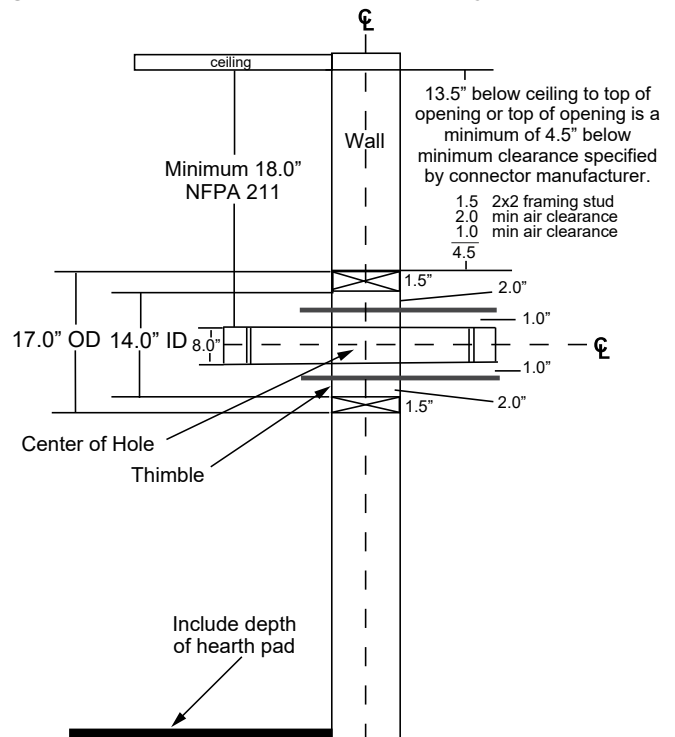
- Masonry chimney clearance must meet **NFPA 211** minimum requirement of 2 inches (51mm) to sheet metal supports and combustibles.
- Minimum of 1 inch (25mm) clearance around the chimney connector.
- Top of wall opening is a minimum of 13-1/2 inches (343mm) from ceiling or 4-1/2 inches (114mm) below minimum clearance specified by chimney connector manufacturer. **NFPA 211** minimum vertical clearance of 18 inches (457mm) from chimney connector and ceiling or minimum recommended by chimney connector manufacturer (**Figure 19.2**).

**Instructions:**

1. Open inside wall at proper height for the chimney connector to enter the masonry chimney (**Figure 19.2**).
2. Entry hole to masonry chimney must be lined with an 8 inch (203mm) minimum diameter clay liner, or equivalent, secured with refractory mortar.
3. Construct a 17 inch x 17 inch (432mm x 432mm) outside dimension frame from 2 x 2 framing lumber to fit into wall opening. Inside opening of frame should be no less than 14 inch x 14 inch (356mm x 356mm) (**Figure 19.2**).
4. Attach the wall spacer to the chimney side of the frame.
5. Nail the frame into the wall opening. The spacer should be on the chimney side.
6. Insert the section of the solid insulated chimney into the outer wall of the masonry chimney.
7. Tightly secure the length of the solid insulated chimney with the wall band to the masonry chimney.
8. Insert a section of chimney connector into the chimney. Make sure it does not protrude past the edge of the clay chimney liner inside the chimney.
9. Seal the end of the chimney connector to the clay liner with refractory mortar.
10. Install trim collar around the solid pack chimney section.



**Figure 19.1 - Prefabricated Interior Chimney**



**Figure 19.2**

## Solid Pack Chimney with Metal Supports as a Thimble

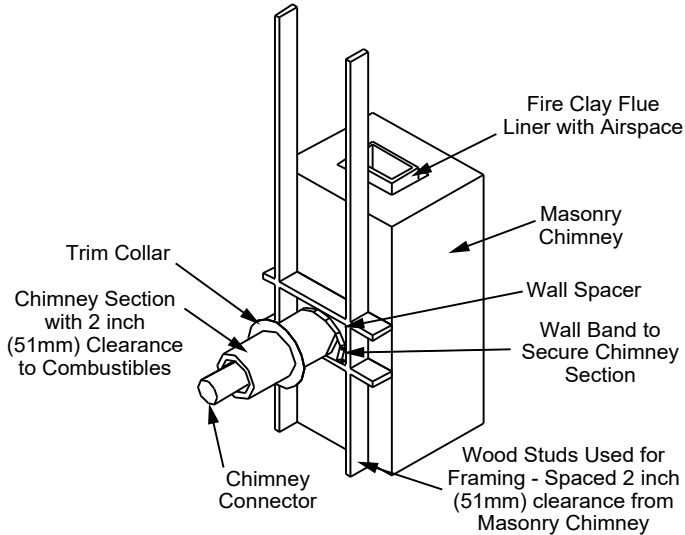


Figure 20.1

	<b>WARNING</b>
	<p><b>Fire Risk.</b> Do NOT pack insulation or other combustibles between spacers.</p> <ul style="list-style-type: none"> <li>• ALWAYS maintain specified clearances around venting and spacers.</li> <li>• Install spacers as specified.</li> </ul> <p>Failure to keep insulation or other material away from vent pipe may cause fire.</p>

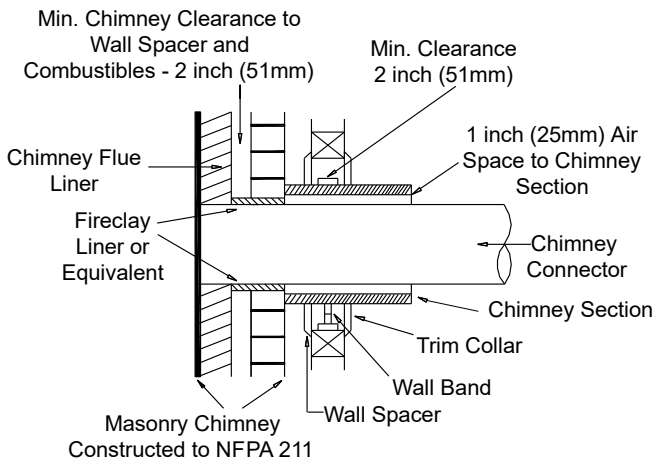


Figure 20.2

## G. Installing Chimney Components Chimney Connector

### Single wall connector or appliance pipe.

This must be at least 24 gauge mild steel or 26 gauge blue steel. The sections must be attached to the appliance and to each other with the crimped (male) end pointing toward the appliance. All joints, including the connection at the flue collar, should be secured with 3 sheet metal screws. Make sure to follow the minimum clearances to combustibles. Where passage through the wall, or partition of combustible construction is desired in Canada, the installation shall conform to **CAN/CSA-B365**.

### Factory-built listed chimney connector (vented).

A listed connector (vented) must be used when installing this appliance in a mobile home. The listed connectors must conform to each other to ensure a proper fit and seal.

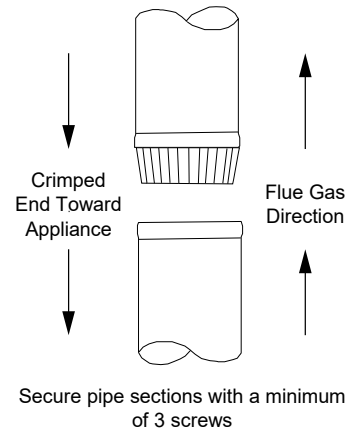


Figure 20.3 - Chimney Connector (Appliance Pipe)

	<b>WARNING</b>
	<p><b>Fire Risk.</b> Follow Chimney Connector Manufacturer's Instructions for Proper Installation.</p> <p><u>ONLY use connector:</u></p> <ul style="list-style-type: none"> <li>• Within the room, between appliance and ceiling or wall.</li> </ul> <p><u>Connector shall NOT pass through:</u></p> <ul style="list-style-type: none"> <li>• Attic or roof space</li> <li>• Closet or similar concealed space</li> <li>• Floor or ceiling</li> </ul> <p>Maintain minimum clearances to combustibles</p>

## H. Proper Draft

To be sure that your Quadra-Fire appliance burns properly, the chimney draft (static pressure) should be approximately -0.10 inches water column (W.C.) during a high burn and -0.04 inches W.C. during a low burn, measured 6 inches (152mm) above the top of the appliance after one hour of operation at each burn setting.

# 5 Appliance Set-Up

## A. Pedestal Assembly & ARS Installation

**NOTE:** The Ash Removal System, must be installed first before installing the pedestal.

### Begin installing the ARS System:

1. Remove leg mount brackets packaged inside of firebox and discard.
2. Remove the 2 bricks in the front most part of the firebox (**Figure 21.1**).
3. Lay appliance on its back on a protective pad or pallet (**Figure 21.2**).
4. Remove heat shield by loosening the four bolts using 3/8 open end wrench (**Figure 21.2**).
5. Remove 8 nuts that hold the cover plate on using a 7/16 socket wrench; discard cover plate (**Figure 21.2**).

**⚠ WARNING!**

**CHECK GASKET!**

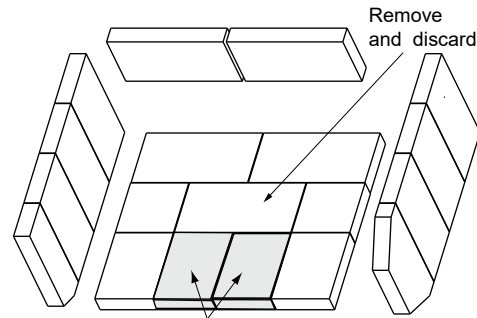
- Verify that the gasket is present and that the glossy side is away from firebox bottom.
- It is important that the gasket is put in correctly for sealing capabilities.

6. Remove knock out from bottom of firebox by using a hammer (**Figure 21.2**).
7. Install ash door assembly by sliding the rod at an angle into the slot on the left side (**Figure 21.3**).
8. Slide the ash door over the 8 screws protruding from the bottom of the appliance. Secure with nuts and washers using 7/16 socket wrench (**Figure 21.3**).
9. Install ARS latch by sliding latch assembly over 2 threaded studs protruding from the bottom on the left hand side of the appliance. Secure by using two nuts use 7/16 socket wrench (**Figure 21.3**).
10. Add knob to handle rod (**Figure 22.2 on page 22**).
11. Using two bolts and two flange nuts to secure ARS channel using 3/8 open end wrench and 7/16 socket wrench (**Figure 22.3 on page 22**).

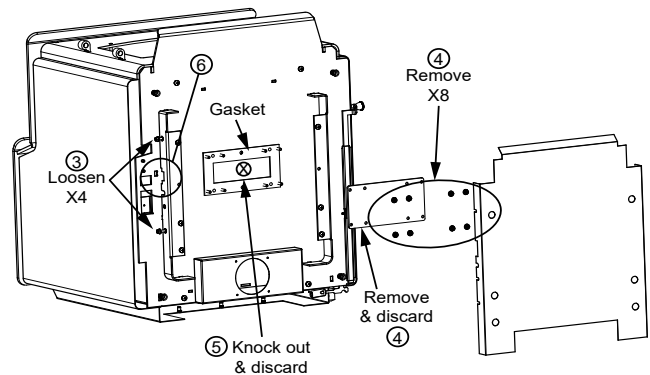
**⚠ WARNING**

**Fire Risk. Do NOT operate before fully assembling components.**  
Burning your appliance without a pedestal or leg kit attached:

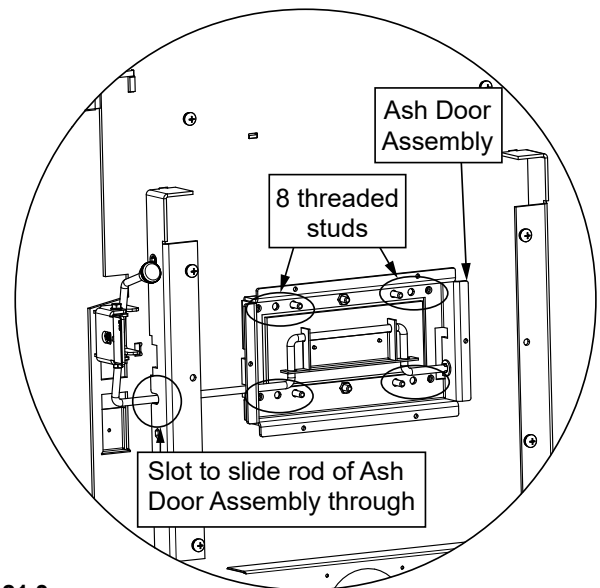
- Will void your warranty.
- May result in property damage or personal injury.



**Figure 21.1**



**Figure 21.2**



**Figure 21.3**

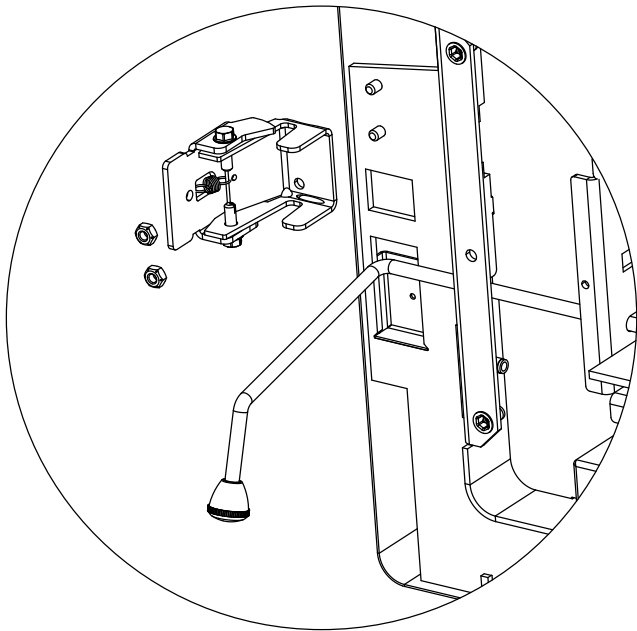


Figure 22.1

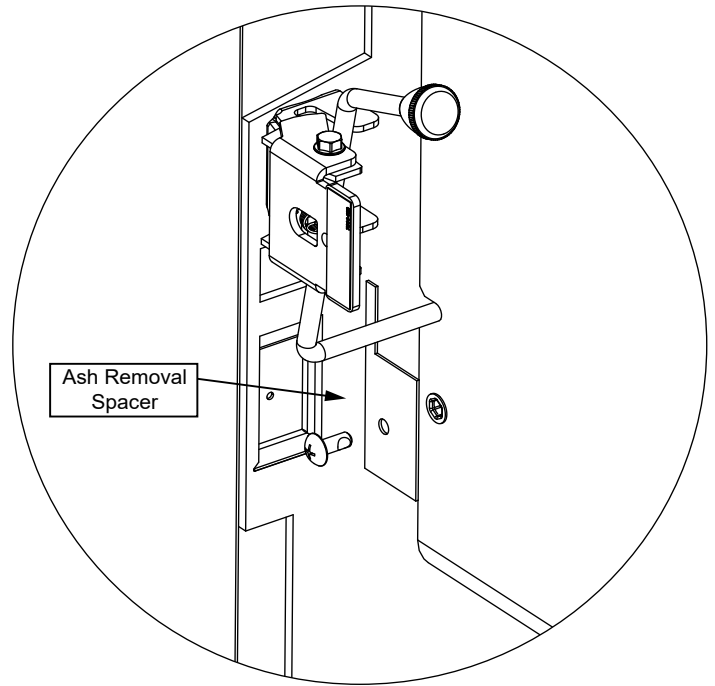


Figure 22.4

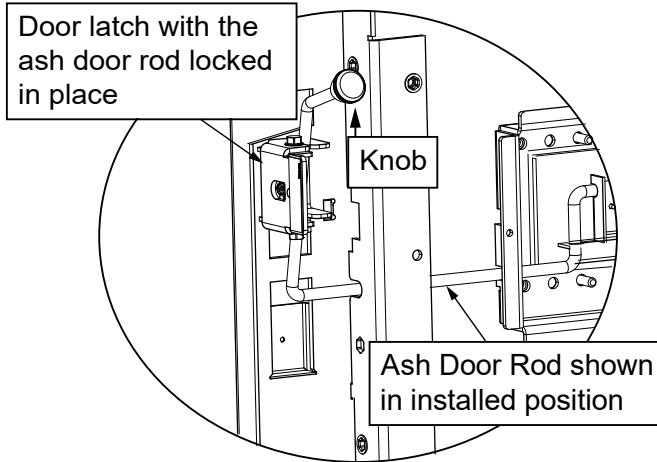


Figure 22.2

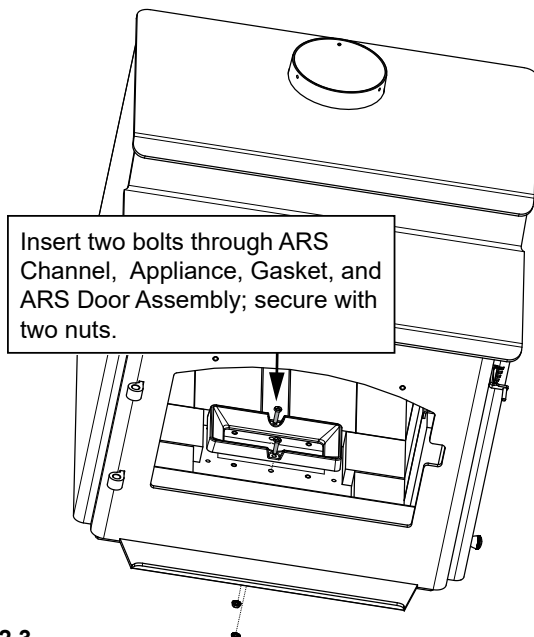


Figure 22.3

### Ped Kit and Ash Removal System (Cont'd)

#### Installing Ped Kit

1. Follow **Begin installing the ARS System** instructions provided on [page 21](#).
2. Slide pedestal over adapter on bottom of appliance and secure with bolts from heat shield (**Figure 23.1 on page 23**).
3. Install ARS Spacer on left hand side with one bolt using Phillips head screwdriver (**Figure 22.4**).
4. Carefully stand appliance up and place in desired location.

#### Finishing the ARS Installation

1. Replace front bricks that were removed in step 1 of **Begin installing the ARS System** on [page 21](#) (**Figure 23.2 on page 23**).
2. Install the ash drawer to pedestal base.
3. Install ARS access cover inside of ARS Channel that is located inside the firebox (**Figure 23.2 on page 23**).



### CAUTION

#### CHECK BAFFLE BOARDS & CERAMIC BLANKET!

- Verify that the baffle boards and ceramic blanket are in their proper locations.
- It is important that the baffle boards and ceramic blanket are correctly installed for proper burn safety.

**NOTE:** If installing a floor installation of an outside air kit on a Step Top model with a pedestal assembly you must attach the enclosed cover plate with 4 screws to the back of the appliance. Other wise you may discard this piece (**Figure 23.3 on page 23**).

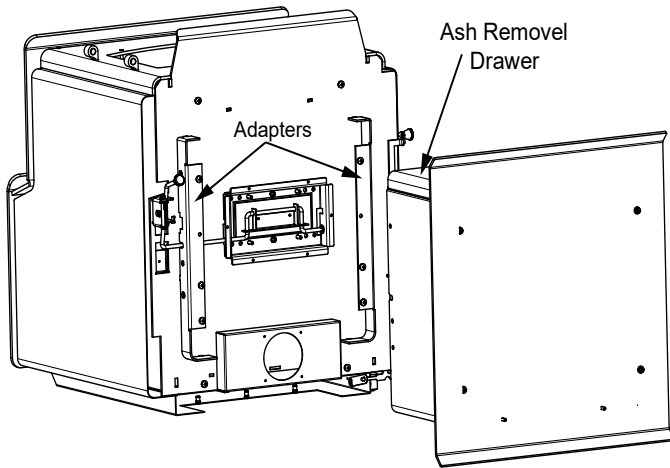


Figure 23.1

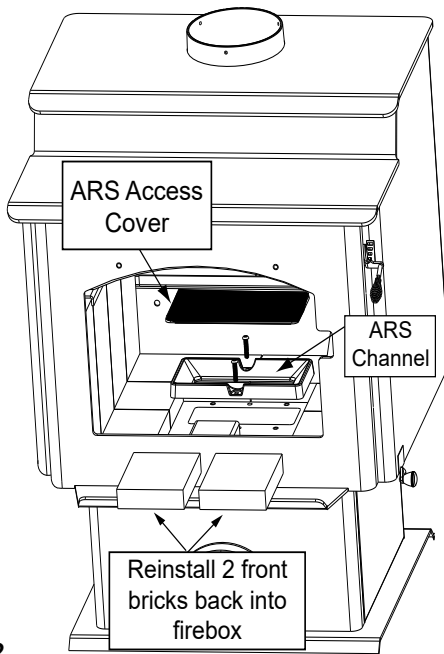


Figure 23.2

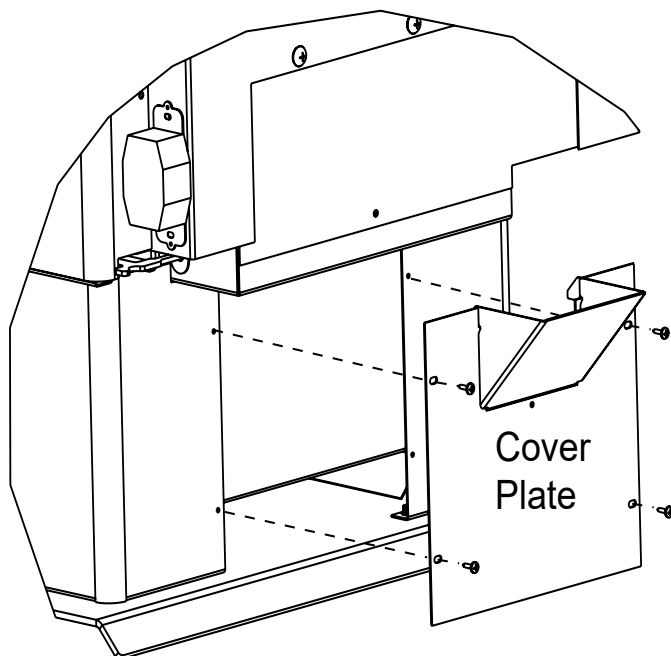


Figure 23.3

## B. Access Cover Handle

Insert Access Cover Handle handle into slot of ARS Cover to remove ARS Cover for cleaning ash out of firebox (Figure 23.4).

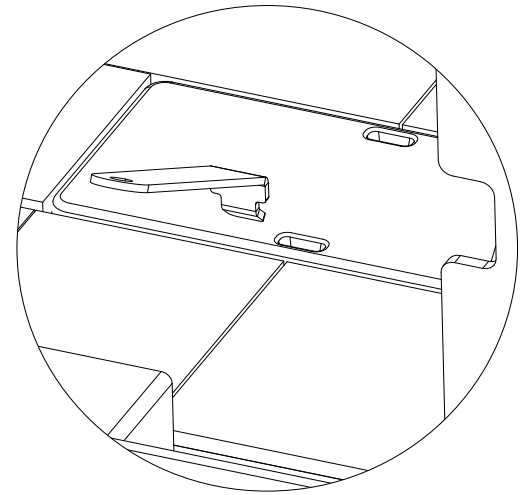


Figure 23.4

## C. Leg Kit & ARS Installation

**NOTE:** The Ash Removal System, must be installed first before installing the legs.

### Begin installing the ARS System.

1. Remove leg mount brackets packaged inside of firebox and set aside.
2. Remove the 2 bricks in the front most part of the firebox (Figure 21.1 on page 21).
3. Lay appliance on its back on a protective pad or pallet (Figure 21.2 on page 21).
4. Remove heat shield by loosening the four bolts using 3/8 open end wrench (Figure 21.2 on page 21).
5. Remove 8 nuts that hold the cover plate on using a 7/16 socket wrench; discard cover plate (Figure 21.2 on page 21).



## WARNING!

### CHECK GASKET!

- Verify that the gasket is present and that the glossy side is away from firebox bottom.
- It is important that the gasket is put in correctly for sealing capabilities.

6. Remove knock out from bottom of firebox by using a hammer (**Figure 21.2 on page 21**).
7. Install ash door assembly by sliding the rod at an angle into the slot on the left side (**Figure 21.3 on page 21**).
8. Slide the ash door over the 8 screws protruding from the bottom of the appliance. Secure with nuts and washers using 7/16 socket wrench (**Figure 21.3 on page 21**).
9. Install ARS latch by sliding latch assembly over 2 threaded studs protruding from the bottom on the left hand side of the appliance. Secure by using two nuts use 7/16 socket wrench (**Figure 22.1 on page 22**).
10. Add knob to handle rod (**Figure 22.2 on page 22**).
11. Use 2 bolts and two flange nuts to secure ARS channel using 3/8 open end wrench and 7/16 socket wrench (**Figure 22.3 on page 22**).

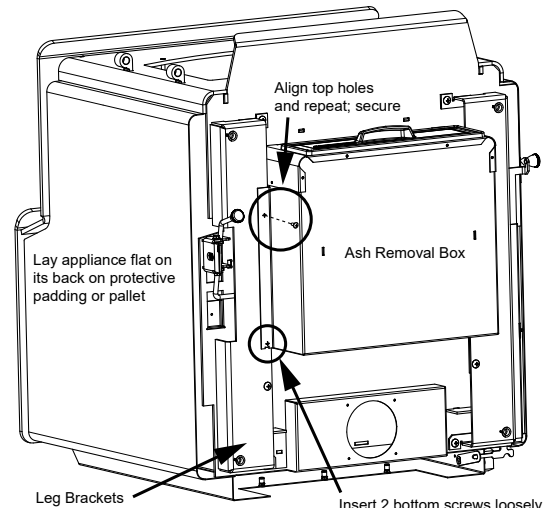


Figure 24.1

### Installing Queen Anne Leg ARS Kit

1. Follow Beginning installing the ARS system instructions provided on [page 21](#).
2. Install ARS Spacer on left hand side with one bolt using Phillips head screwdriver (**Figure 22.4 on page 22**).
3. Install leg brackets and ash drawer using four screws using Phillips head screwdriver.

Start bottom two bolts through ash drawer, leg brackets and into the bottom of the appliance (**Figure 24.1**).

Align top holes and repeat; secure all four bolts.

4. Install legs onto leg brackets making sure the legs are up against the bracket and secure with bolts and washers using a 3/8 open end wrench (**Figure 24.2**).
5. Install leveling bolts into 2 legs; these leveling legs should be in opposite corners (**Figure 24.2**).
6. Carefully stand appliance up and place in desired location.
7. Use leveling bolts on legs to stabilize and level appliance (**Figure 24.3**).

### Finishing the ARS Installation

1. Replace 2 front bricks that were removed (**Figure 24.4**).
2. Install the ash drawer to ASH Removal receiver.
3. Install ARS access cover inside of ARS Channel that is located inside the firebox (**Figure 24.4**).

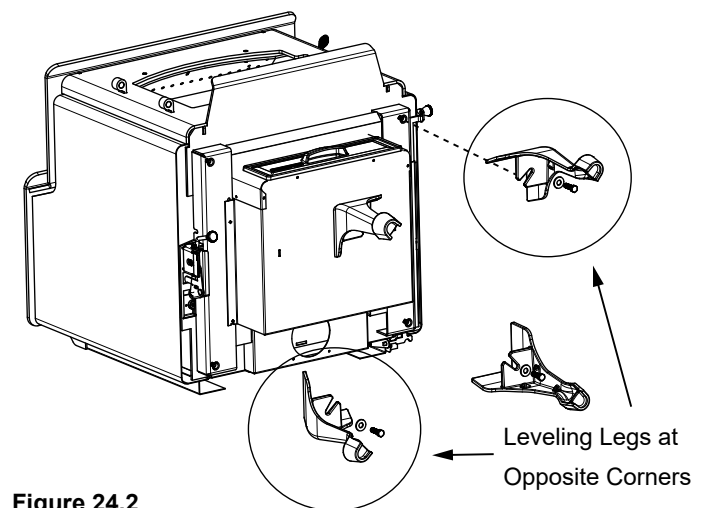


Figure 24.2

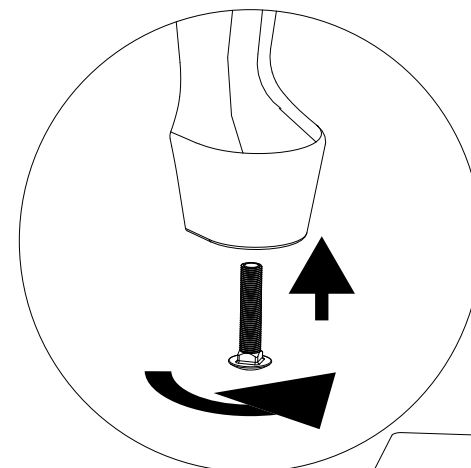



Figure 24.3

 <b>CAUTION</b>
<b>CHECK Baffle Boards &amp; Ceramic Blanket!</b> <ul style="list-style-type: none"> <li>• Verify that the baffle boards and ceramic blanket are in their proper locations.</li> <li>• It is important that the baffle boards and ceramic blanket are correctly installed for proper burn safety.</li> </ul>

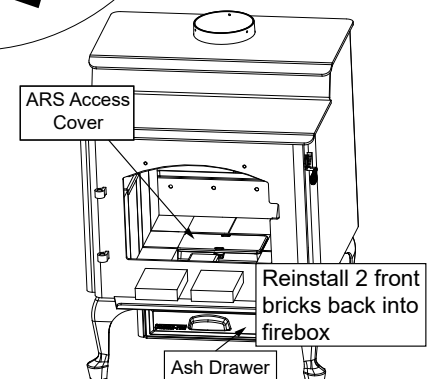


Figure 24.4



## D. Traditional Leg Installation

### Installing your traditional legs to your appliance:

1. Remove leg brackets from inside of firebox of appliance.
2. Lay body of appliance on its back on a protective pad or pallet.
3. Remove four screws from bottom of appliance (Figure 25.1).
4. Install leg brackets to bottom of appliance using the four just removed screws in step 3.

**NOTE:** There is a right and a left of the leg brackets (Figure 25.1).

5. Install six screws to the bottom of the leg brackets (Figure 25.1).
6. Attach legs onto leg brackets and secure with bolts and washers.



### CAUTION

#### Do NOT tilt the appliance on the cast iron legs.

- Tilting could lead to property damage.
- Lift the appliance upright and place it into position on the floor protector.

7. Carefully stand appliance up and place in desired location.
8. Thread Allen bolts through nuts until flush (Figure 25.2)
9. Slide Allen bolt/nut assemblies into slots of two of the legs with the nuts on the bottom (Figure 25.3 and 25.4).

**NOTE:** Legs with leveling bolts need to be on opposite sides of the appliance - one in the front and one in the back (Figure 25.1)

10. Use Allen wrench to adjust legs up and down to desired level (Figure 25.5).

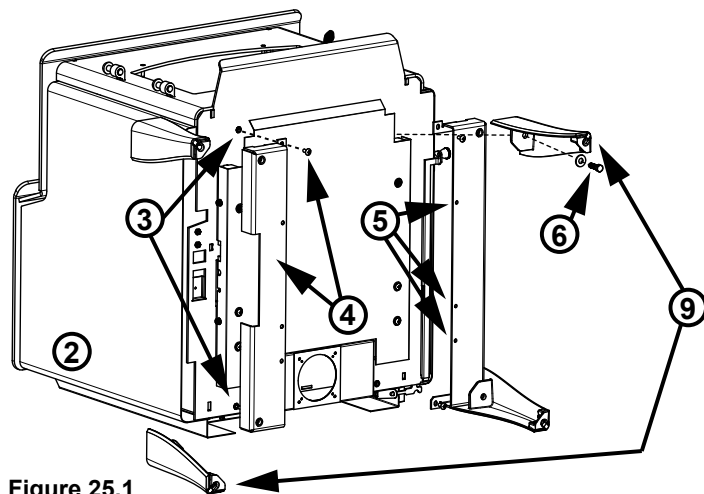


Figure 25.1



### CAUTION!

#### CHECK BAFFLE BOARDS & CERAMIC BLANKET!

- Verify that the baffle boards and ceramic blanket are in their proper locations.
- It is important that the baffle boards and ceramic blanket are correctly installed for proper burn safety.

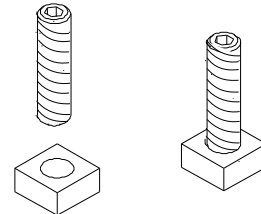


Figure 25.2

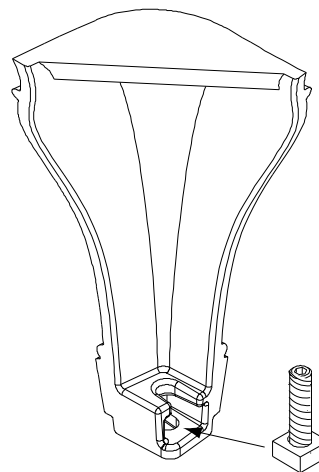


Figure 25.3

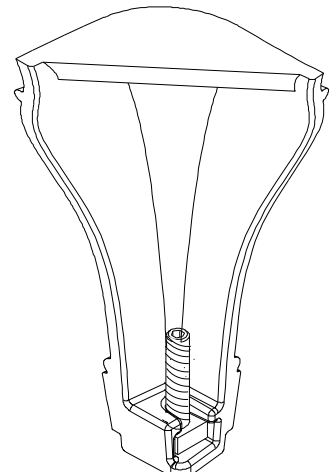


Figure 25.4

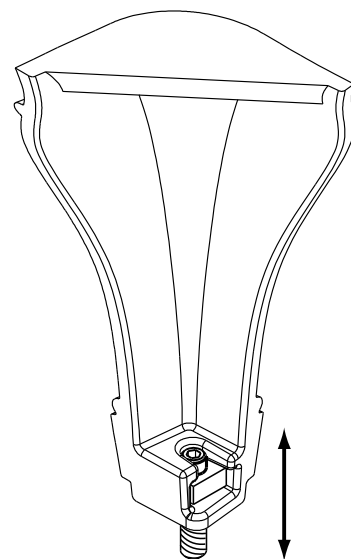


Figure 25.5

## E. Outside Air Kit Installation

A source of air (oxygen) is necessary in order for combustion to take place. Whatever combustion air is consumed by the fire must be replaced. Air is replaced via air leakage around windows and under doors. In homes that have tightly sealed doors and windows, an outside air source is needed. An optional Outside Air Kit is available.

### Items Needed for Installation (not supplied)

- 4 inch flex aluminum pipe, or if using alternate material, then it shall be made from durable, non-combustible, heat resistant material up to 350°F. Cut the pipe to the required length for your installation.
- Phillips head screw driver
- Silicone sealant
- Drills and saws necessary for cutting holes through the wall or flooring in your home.

### Installation Instructions:

1. Remove all materials from packing box.
2. Using a #2 Phillips screw driver attach the flex adapter to the appliance using 4 screws (**Figure 26.1**).
3. For floor installations, remove circular "knock-out" in the base of the pedestal.
4. **Floor & Rear Installation:**  
Cut a 4 inch (102mm) hole in the outside wall or the floor to accommodate outside air piping. Use 4 inch (102mm) aluminum metal flex or rigid piping to directly connect outside air to appliance intake. Use the supplied termination cap with a rodent screen. Seal between the wall (or floor) and the pipe with silicone to prevent moisture penetration.
5. **Floor Installation Alternative:**  
In some instances you may not be able to install the flex pipe as show in **Figure 26.1**. If that is the case, you will need to use a cover plate and a sealing rope that is shown in **Figure 26.2**.
  - 43M-ACC-C: The cover plate needs to be ordered, please order: SRV7033-041 (OAK Cover Plate Kit).
  - 43ST-ACC-C: The cover plate is included with your pedestal accessory kit (PED-KIT-43).
  - If a replacement part is needed please order: SRV7033-041 (OAK Cover Plate Kit).

**NOTE:** The goal is to seal the pedestal so no room air can leak into the pedestal or for cold air infiltration.

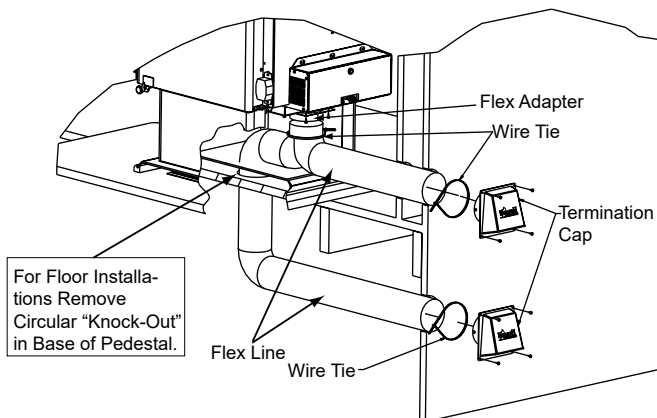


Figure 26.1 - Floor & Rear Installation

	<b>WARNING</b>
	<p><b>Fire Risk. Asphyxiation Risk.</b> Do not draw outside combustion air from:</p> <ul style="list-style-type: none"> <li>• Wall, floor or ceiling cavity</li> <li>• Enclosed space such as an attic or garage</li> <li>• Close proximity to exhaust vents or chimneys</li> </ul> <p>Fumes or odor may result</p>

	<b>WARNING</b>
	<p><b>Asphyxiation Risk.</b> Outside air inlet must be located to prevent blockage from:</p> <ul style="list-style-type: none"> <li>• Leaves</li> <li>• Snow or ice</li> <li>• Other debris</li> </ul> <p>Block may cause combustion air starvation Smoke spillage may set off alarms or irritate sensitive individuals.</p>

	<b>WARNING</b>
	<p><b>Asphyxiation Risk.</b> Length of outside air supply duct shall NOT exceed the length of the vertical height of the exhaust flue.</p> <ul style="list-style-type: none"> <li>• Fire will not burn properly</li> <li>• Smoke spillage occurs when door is opened due to air starvation.</li> </ul>

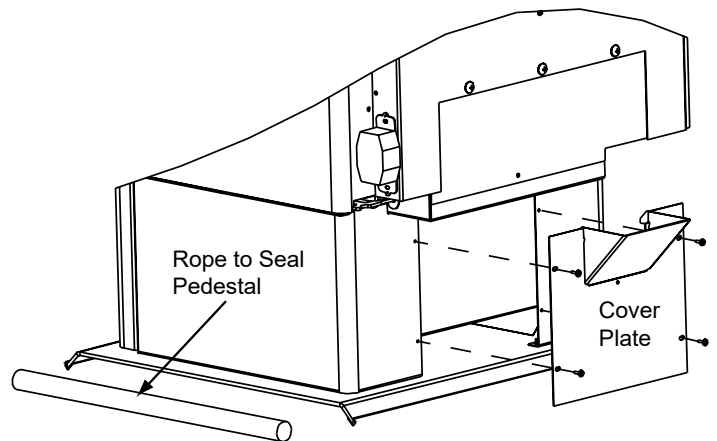


Figure 26.2 - Floor Installation Alternative

## F. Door Handle Assembly

### 43M-ACC-C

Install spring handle using a counter-clockwise motion until the spring handle has a 2 inch clearance from bend of door hand rod (Figure 27.1).

2 inch (51mm) clearance required from bend in door handle rod to end of spring handle.

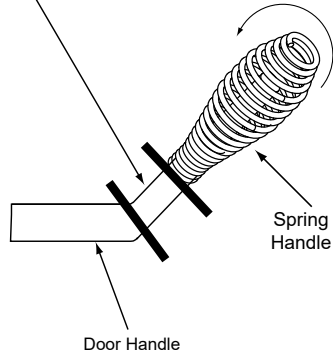


Figure 27.1

### 43ST-ACC-C

1. Slide door handle shaft through hole on door (Figure 27.2).
2. Add up to three 3/8 washers on the inside of the door.

**NOTE:** The quantity of washers added will change how the door seals. You may need to tear down the handle assembly a few times to gain the correct seal.

3. Add square key to door handle shaft; may need to use a rubber mallet to ensure key sits firmly into groove of door handle shaft.
4. Slide cast iron cam latch over door handle shaft and locking key.

**NOTE:** DO NOT over tighten locking nut; door handle needs to move smoothly!

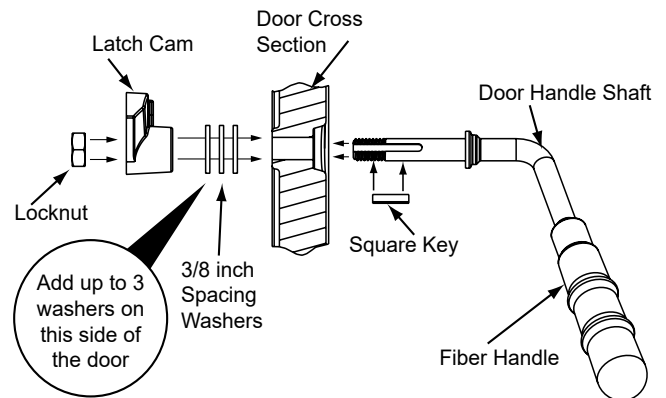




Figure 27.2

## G. Blower (Optional)

1. Locate bolts supplied with the blower.
2. Align holes in mounting flange of blower with bolt holes in appliance. Blower should be positioned at bottom of rear outer skin as shown in **Figure 28.1**
3. Re-insert and tighten bolts, securing blower onto outer wall of appliance.
4. Place the bracket containing the snap disc and magnet under the bottom left rear corner.

See Owner's Manual for detailed operating instructions for the blower and snap disc.

**CAUTION**



**Shock Risk.**

- Do NOT remove grounding prong from plug.
- Route cord away from appliance.
- Do NOT route cord under or in front of appliance.
- Plug directly into properly grounded 3 prong receptacle.

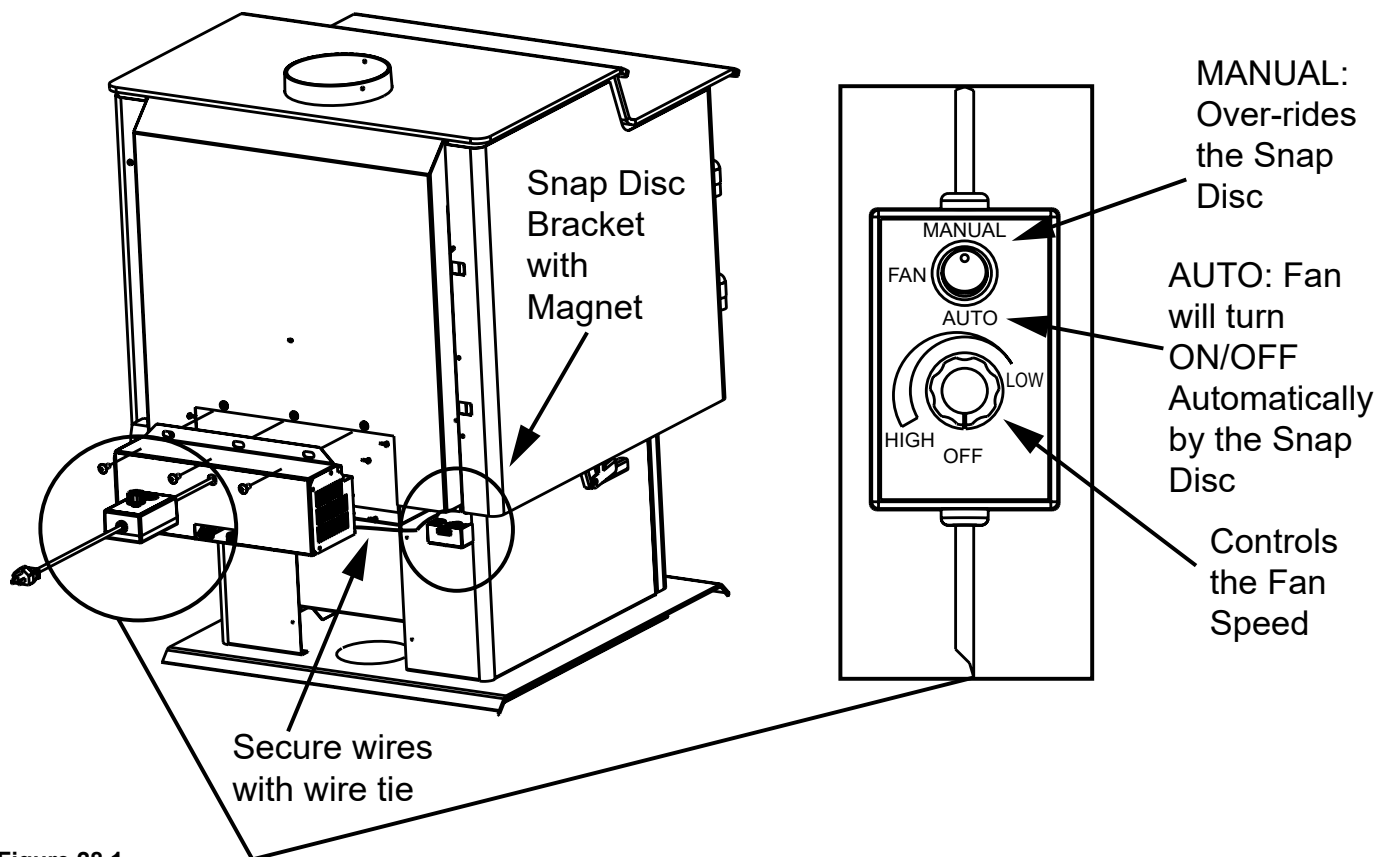


Figure 28.1

# 6 Mobile Home Installation

You must use a Quadra-Fire Outside Air Kit Part OAK-ACC; and (depending on floor installation), Part SRV7033-041 for installation in a mobile home.

1. An outside air inlet must be provided for combustion (See [page 26](#) for installation information).
2. Appliance must be secured to the mobile home structure by bolting the legs to the floor.
3. Appliance must be grounded with #8 solid copper grounding wire or equivalent and terminated at each end with N.E.C. approved grounding device.
4. Appliance must be installed with an approved **UL103 HT** ventilated chimney connector, **UL103 HT** chimney, and terminal cap with spark arrestor. Never use a single wall connector (appliance pipe) in a mobile home installation. Use only double-wall connector pipe, Dura-Vent DVL, Selkirk Metalbestos DS or Security DL double-wall connector or any listed double-wall connector pipe.
5. In Canada, this appliance must be connected to a 6 inch (152mm) factory-built chimney conforming to **CAN/ULC-629M, STANDARD FOR FACTORY BUILT CHIMNEYS**.
6. Follow the chimney and chimney connector manufacturer's instructions when installing the flue system for use in a mobile home.
7. Maintain clearance to combustibles.
8. Floor protection requirements must be followed precisely.
9. Use silicone to create an effective vapor barrier at the location where the chimney or other component penetrates to the exterior of the structure.

**NOTE:** Offsets from the vertical, not exceeding 45°, are allowed per **Section 905(a) of the Uniform Mechanical Code (UMC)**. Offsets greater than 45° are considered horizontal and are also allowed, providing the horizontal run does not exceed 75% of the vertical height of the vent. Construction, clearance and termination must be in compliance with the **UMC Table 9C**. This installation must also comply with **NFPA 211**.

**NOTE:** Top sections of chimney must be removable to allow maximum clearance of 13.5 feet (411cm) from ground level for transportation purposes.

10. Burn seasoned cord wood only. Other types of fuels may generate poisonous gases (e.g., carbon monoxide).
11. If appliance burns poorly while an exhaust blower is on in home, (i.e., range hood), increase combustion air.
12. Installation shall be in accordance with the **Manufacturers Home & Safety Standard (HUD) CFR 3280, Part 24**.



## CAUTION

THE STRUCTURAL INTEGRITY OF THE MOBILE HOME FLOOR, WALL AND CEILING/ROOF MUST BE MAINTAINED

### Do NOT cut through:

- Floor joist, wall, studs or ceiling trusses.
- Any supporting material that would affect the structural integrity.



## WARNING



### Asphyxiation Risk.

NEVER INSTALL IN A SLEEPING ROOM.  
Consumes oxygen in the room.



## WARNING



### Fire Risk.

Do Not use single wall connector pipe anywhere in a mobile home installation.



Date of Service	Performed By	Description of Service

Date of Service	Performed By	Description of Service





B. 4300 Millennium Accessories

QUADRA-FIRE® Service Parts

43M-ACC-C

Beginning Manufacturing Date: Jan 2020  
Ending Manufacturing Date: Active

IMPORTANT: THIS IS DATED INFORMATION. Parts must be ordered from a dealer or distributor. **Hearth and Home Technologies does not sell directly to consumers.** Provide model number and serial number when requesting service parts from your dealer or distributor.



Stocked at Depot

ITEM	DESCRIPTION	COMMENTS	PART NUMBER	Stocked at Depot
	Blower Assembly		BK-ACC	
	Blower Control Box W/Switch		SRV7000-194	Y
	Component Pack		7033-051	
	Snap Disc Bracket Assembly		SRV7033-036	
	Snap Disc, # 1, Convection Blower		SRV230-0470	Y
	Wire Harness (Blower)		7033-262	
	Outside Air Kit, Floor & Rear		OAK-ACC	
	Outside Air Collar Assembly		SRV7033-039	
	Outside Air Shield		SRV33271	Y
	Outside Air Cover Plate Assembly		SRV7033-041	Y
	Door Upgrade Kit		UK-DRNL	
<b>FASTENERS</b>				
	Avk Rivnut Repair Kit - 1/4-20 & 3/8-16 Rivnut Tools		RIVNUT-REPAIR	Y
	Bolt, Hex Head, 1/4-20 X 1	Pkg of 10	25221A/10	Y
	Button Head 1/4-20 X .5	Pkg of 20	32328/20	Y
	Nut, 2-Wy Side-Lock Jam 3	Pkg of 24	226-0100/24	Y
	Nut, Keps Lock, 10-32	Pkg of 40	226-0050/40	Y
	Nut, Keps Lock, 8-32	Pkg of 40	226-0060/40	Y
	Nut, Ser Flange Small 1/4-20	Pkg of 24	226-0130/24	Y
	Plug, Trimount, .250"	Pkg of 24	229-0880/24	Y
	Screw, Pan Head Philips Tc 8-32X1/2	Pkg of 12	220-0490/12	Y
	Screw, Sheet Metal #8 X 1/2 S-Grip	Pkg of 40	12460/40	Y
	Screw, Flat Head Philips 8-32 x 1/2	Pkg of 10	832-0860	Y
	Washer, Sae, #10	Pkg of 25	227-0080/25	Y
	Washer, Sae, 3/8	Pkg of 3 ea.	832-0990	Y
	Washer, 1/4 Sae	Pkg of 24	28758/24	Y

C. 4300 Step Top Accessories



43ST-ACC-C

Beginning Manufacturing Date: Jan 2020  
Ending Manufacturing Date: Active

IMPORTANT: THIS IS DATED INFORMATION. Parts must be ordered from a dealer or distributor. **Hearth and Home Technologies does not sell directly to consumers.** Provide model number and serial number when requesting service parts from your dealer or distributor.



Stocked at Depot

ITEM	DESCRIPTION	COMMENTS	PART NUMBER	
<b>Accessories</b>				
	Outside Air Kit, Floor & Rear		OAK-ACC	
	Outside Air Collar Assembly		SRV7033-039	
	Outside Air Shield		SRV33271	Y
	Blower Assembly		BK-ACC	
	Blower, Convection - Replacement Blower		812-4900	Y
	Blower Control Box W/Switch		SRV7000-194	Y
	Snap Disc Bracket Assembly		SRV7033-036	
	Snap Disc, # 1, Convection Blower		SRV230-0470	Y
	Wire Harness (Blower)		7033-262	
	Component Pack		7033-051	
	Upgrade, Door (Nickel Handles, Hinge Pins & Logo)	Nickel	UK-DRNL	
	Logo, Quadra-Fire	Pkg of 10	7000-649/10	
	Cast Legs, Black	Set of 4	TRAD-LEG-BK	
<b>FASTENERS</b>				
	Avk Rivnut Repair Kit - 1/4-20 & 3/8-16 Rivnut Tools		RIVNUT-REPAIR	Y
	Bolt, Hex Head, 1/4-20 X 1	Pkg of 10	25221A/10	Y
	Button Head 1/4-20 X .5	Pkg of 20	32328/20	Y
	Nut, 2-Wy Side-Lock Jam 3	Pkg of 24	226-0100/24	Y
	Nut, Keps Lock, 10-32	Pkg of 40	226-0050/40	Y
	Nut, Keps Lock, 8-32	Pkg of 40	226-0060/40	Y
	Nut, Ser Flange Small 1/4-20	Pkg of 24	226-0130/24	Y
	Screw, Bh, 1/4-20 X 1.25	Pkg of 24	225-0630/24	Y
	Screw, Pan Head Philips 8-32 X 3/4	Pkg of 24	229-1100/24	Y
	Screw, Pan Head Philips Tc 8-32X1/2	Pkg of 25	220-0030/25	Y
	Screw, Sheet Metal #8 X 1/2 S-Grip	Pkg of 40	12460/40	Y
	Screw, Flat Head Philips 8-32 x 1/2	Pkg of 12	220-0490/12	Y
	Washer, Sae, 3/8	Pkg of 3 ea.	832-0990	Y
	Washer, 1/4 Sae	Pkg of 24	28758/24	Y

# QUADRA-FIRE®

NOTHING BURNS LIKE A QUAD

## CONTACT INFORMATION

Hearth & Home Technologies  
352 Mountain House Road  
Halifax, PA 17032  
Division of HNI INDUSTRIES

Please contact your Quadra-Fire dealer with any questions or concerns.  
For the number of your nearest Quadra-Fire dealer  
log onto [www.quadrafire.com](http://www.quadrafire.com)



## CAUTION



### DO NOT DISCARD THIS MANUAL

- Important operating and maintenance instructions included.
- Read, understand and follow these instructions for safe installation and operation.
- Leave this manual with party responsible for use and operation of this appliance.



### We recommend that you record the following pertinent information for your heating appliance.

Date purchased/installed: \_\_\_\_\_

Serial Number: \_\_\_\_\_

Location on appliance: \_\_\_\_\_

Dealership purchased from: \_\_\_\_\_

Dealer Phone: 1(     ) - \_\_\_\_\_

Notes:  
\_\_\_\_\_  
\_\_\_\_\_  
\_\_\_\_\_

This product may be covered by one or more of the following patents: (United States) 5341794, 5263471, 6688302, 7216645, 7047962 or other U.S. and foreign patents pending.

  
**HEARTH & HOME**  
technologies™